



US00D702502S

(12) **United States Design Patent**  
**Chung**

(10) **Patent No.:** **US D702,502 S**

(45) **Date of Patent:** **\*\* Apr. 15, 2014**

(54) **GRILL SET**

(71) Applicant: **Kiosky Chung**, Taichung (TW)

(72) Inventor: **Kiosky Chung**, Taichung (TW)

(\*\*) Term: **14 Years**

(21) Appl. No.: **29/449,621**

(22) Filed: **Mar. 15, 2013**

(51) **LOC (10) Cl.** ..... **07-02**

(52) **U.S. Cl.**  
USPC ..... **D7/409**

(58) **Field of Classification Search**

USPC ..... D7/323, 329–337, 339, 346–347,  
D7/350.1–350.4, 352–367, 387–388, 391,  
D7/392.1, 393, 395, 402, 407–410, 500,  
D7/505, 538–545, 552.1, 552.2, 553.2,  
D7/554.3, 555, 566, 584–587, 602,  
D7/672–674, 698, 701, 705, 708;  
99/324–325, 331–332, 337–349, 358,  
99/369–376, 380, 395, 400–418, 421 H,  
99/421 HV, 422–426, 444–446, 483;  
126/9 B, 25 R, 29, 30, 37 R, 261, 275 R,  
126/376.1, 378.1; 206/501–505, 507–508,  
206/518; 219/386, 400, 405, 429–442,  
219/450.1, 452.13, 460.1, 620–624, 725,  
219/730–735; 220/4.21–4.24, 23.8, 315,  
220/573.1–573.5, 626, 629, 675, 743, 756,  
220/769, 912; 426/132, 438, 441, 549

See application file for complete search history.

(56) **References Cited**

U.S. PATENT DOCUMENTS

3,809,053	A *	5/1974	Navarro	126/25 R
4,208,959	A *	6/1980	Schmidt	99/421 HV
4,598,690	A *	7/1986	Hsu	126/25 R
5,333,540	A *	8/1994	Mazzocchi	99/421 H
5,755,153	A *	5/1998	Su	99/395
5,823,174	A *	10/1998	Andress	126/25 R
5,934,180	A *	8/1999	Lin	99/340
5,947,007	A *	9/1999	O'Grady et al.	99/340
6,000,388	A *	12/1999	Andress	126/25 R
D430,450	S *	9/2000	Chester	D7/334
6,182,560	B1 *	2/2001	Andress	99/400
6,357,344	B2 *	3/2002	O'Grady et al.	99/340
6,546,845	B1 *	4/2003	Lanzilli	99/339

\* cited by examiner

*Primary Examiner* — Ricky Pham

(57) **CLAIM**

I claim the ornamental design for a grill set, as shown and described.

**DESCRIPTION**

FIG. 1 is a perspective view of a grill set according to the preferred embodiment of the present invention, showing my design;

FIG. 2 is a front view of the grill set shown in FIG. 1;

FIG. 3 is a rear view of the grill set shown in FIG. 1;

FIG. 4 is a left side view of the grill set shown in FIG. 1;

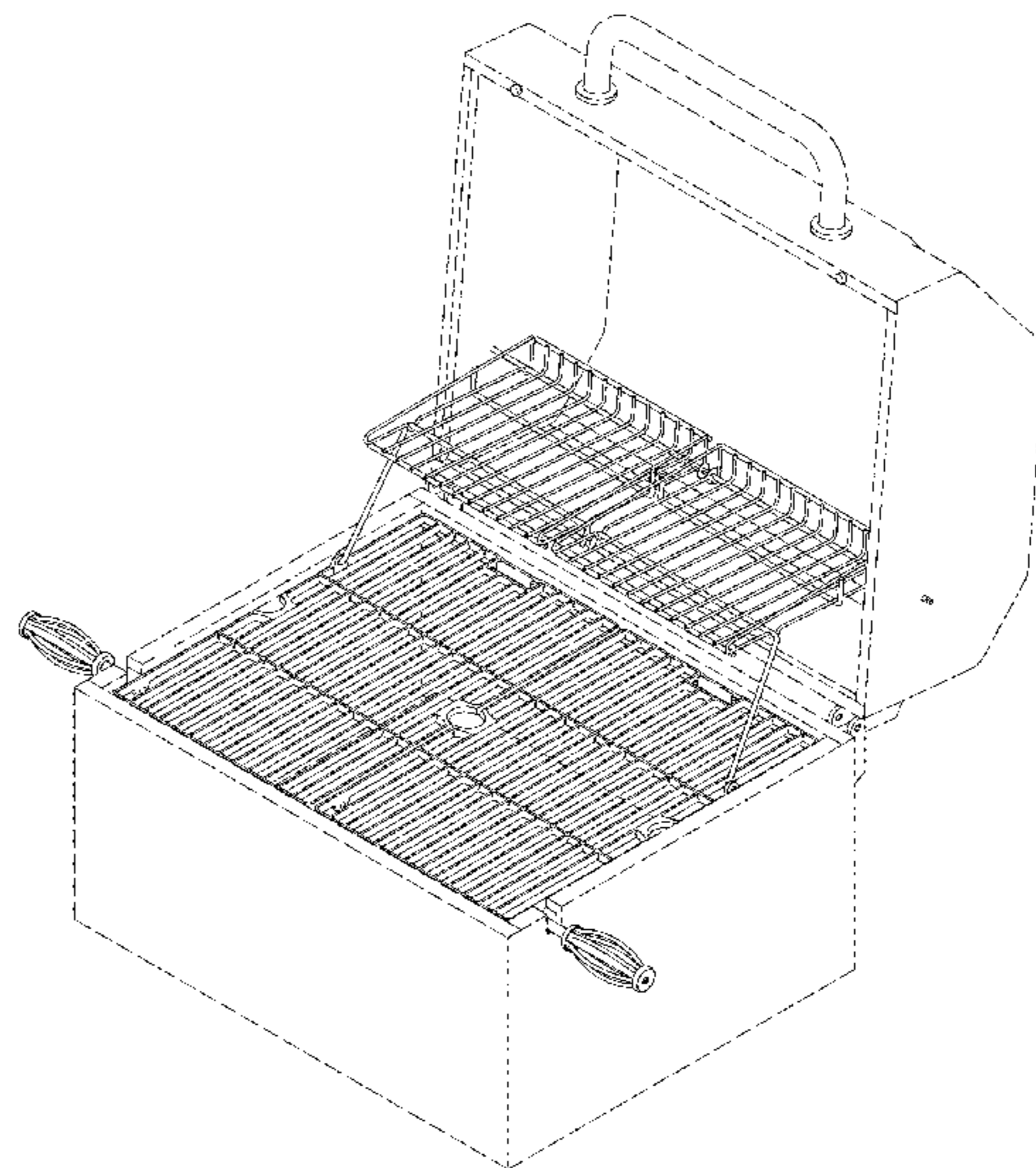
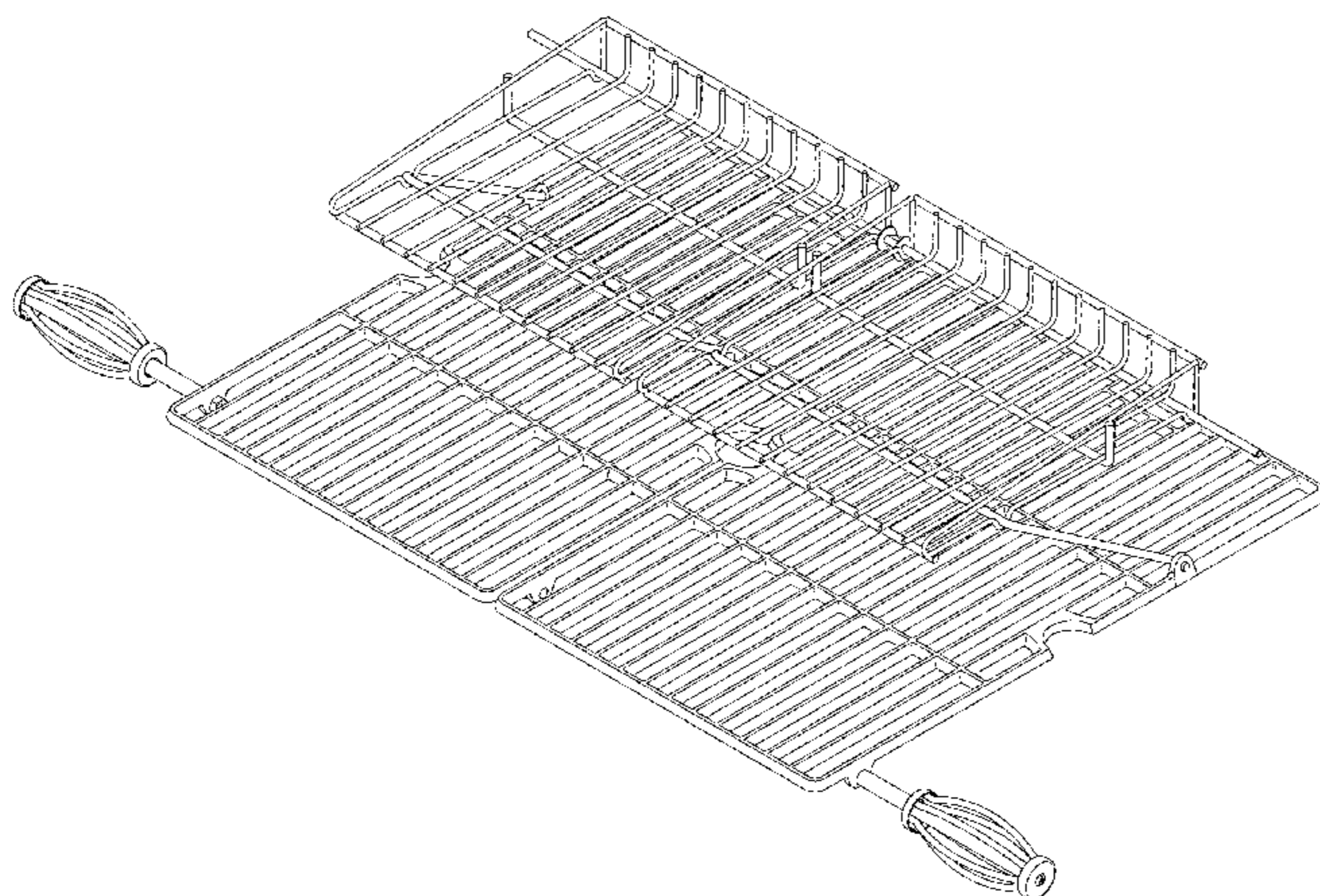
FIG. 5 is a right side view of the grill set shown in FIG. 1;

FIG. 6 is a top view of the grill set shown in FIG. 1;

FIG. 7 is a bottom view of the grill set shown in FIG. 1; and,

FIG. 8 is a perspective view of a barbecue grill apparatus equipped with the grill set taken along a line shown in FIG. 1. The broken lines shown in FIG. 8 are for the purpose of illustrating unclaimed portions of the barbecue grill apparatus and form no part of the claimed design.

**1 Claim, 8 Drawing Sheets**



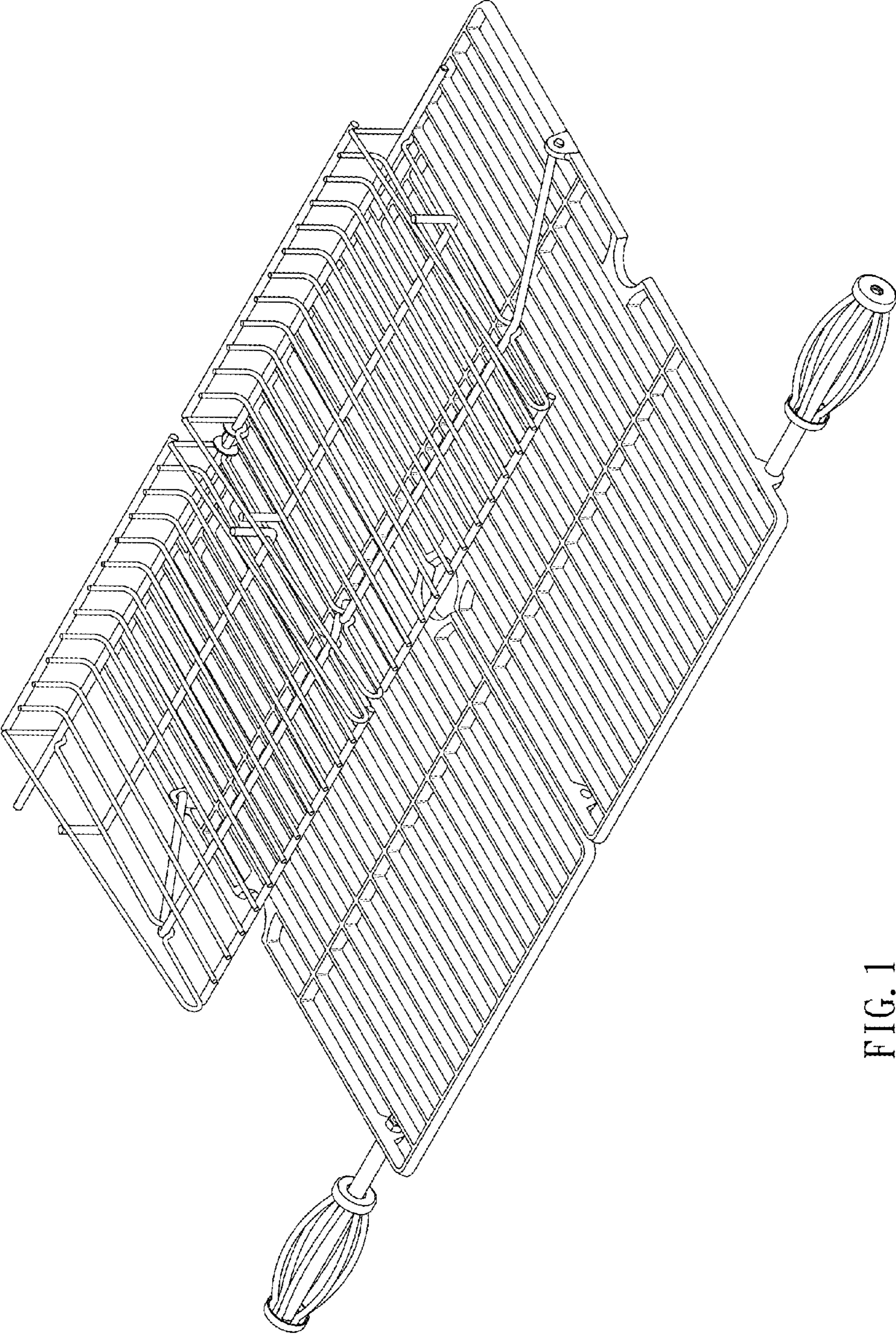


FIG. 1

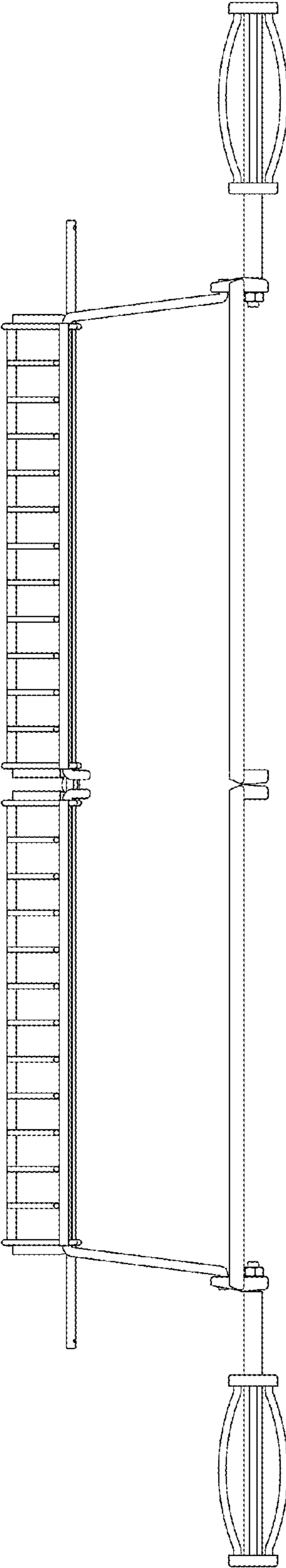


FIG. 2

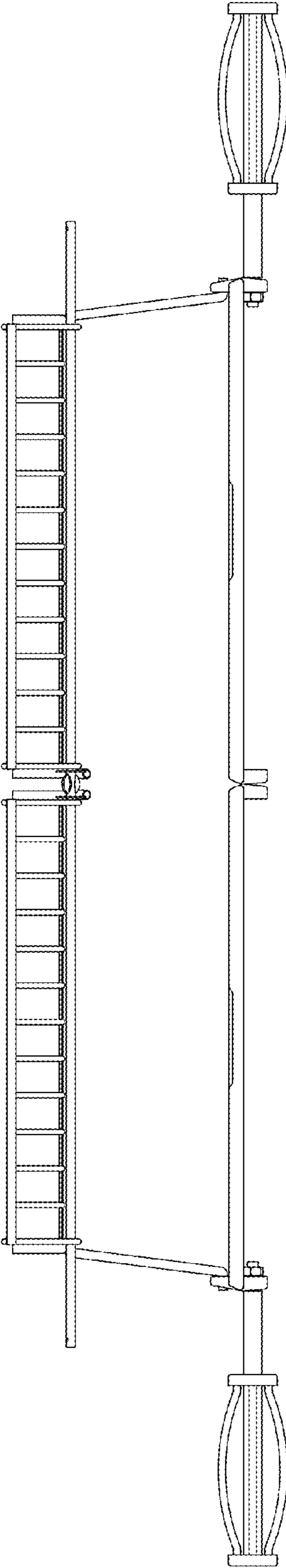


FIG. 3

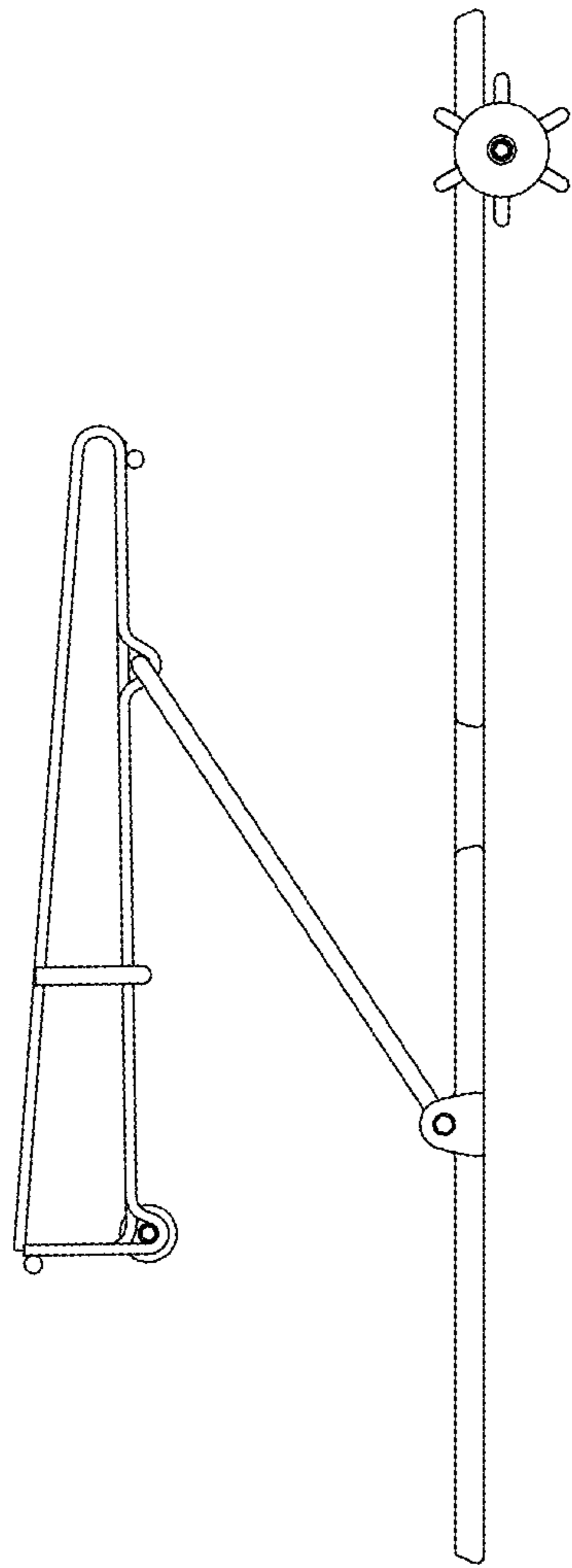


FIG. 4

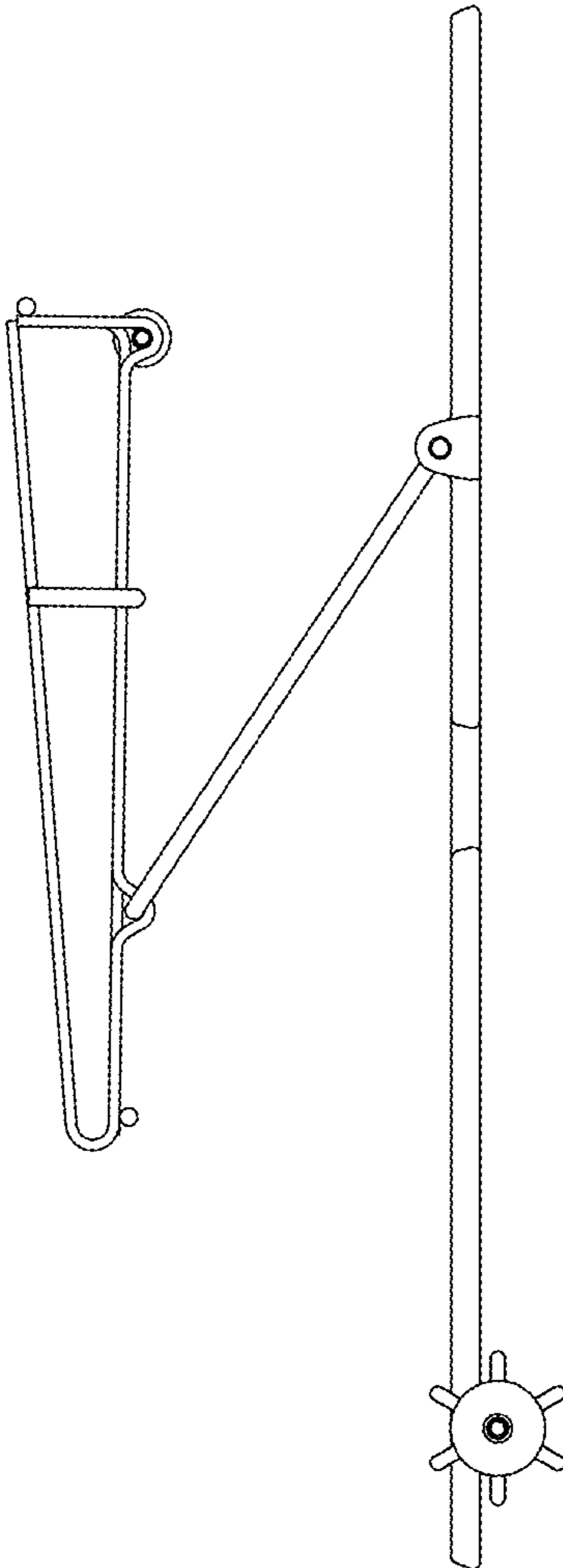


FIG. 5

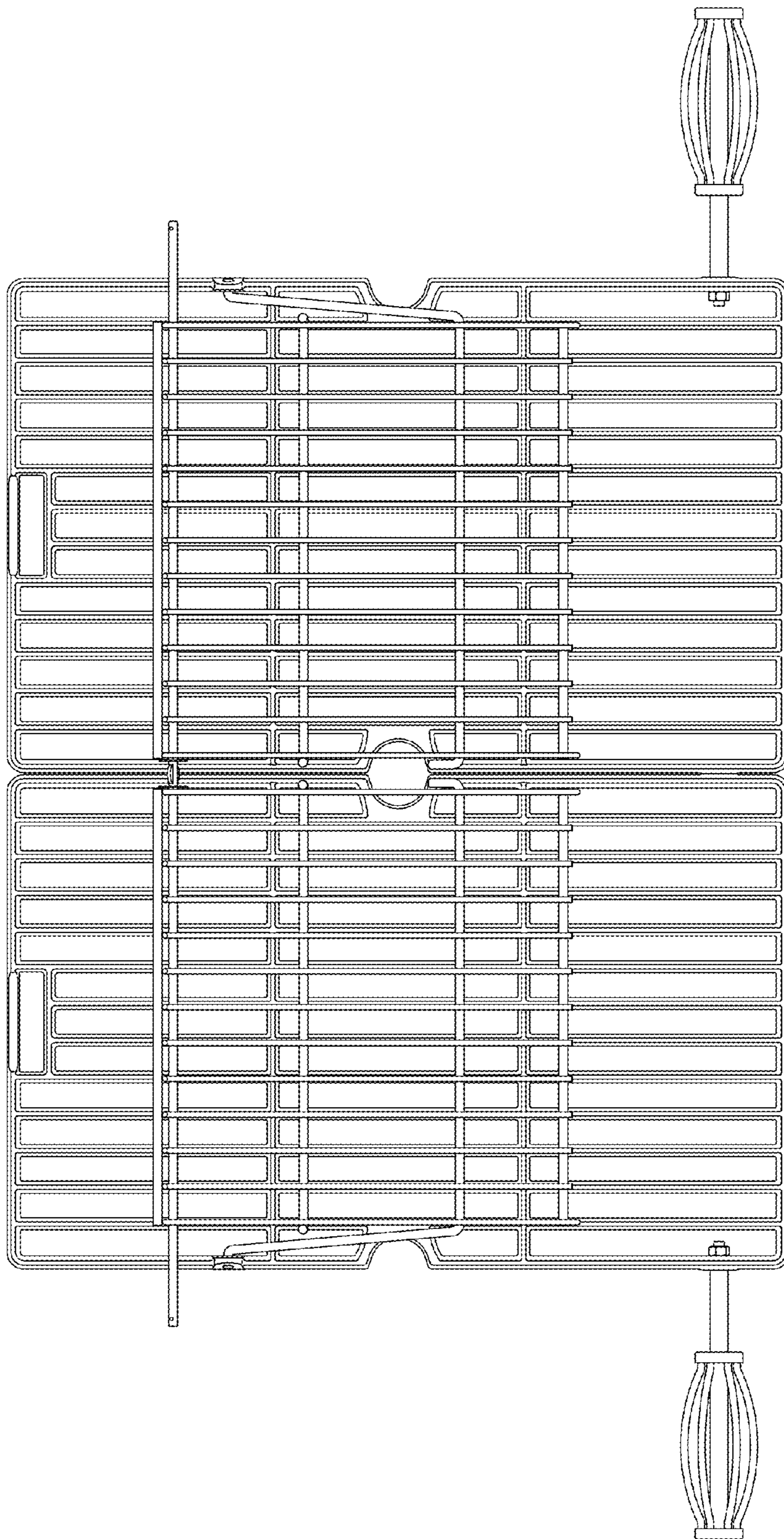


FIG. 6

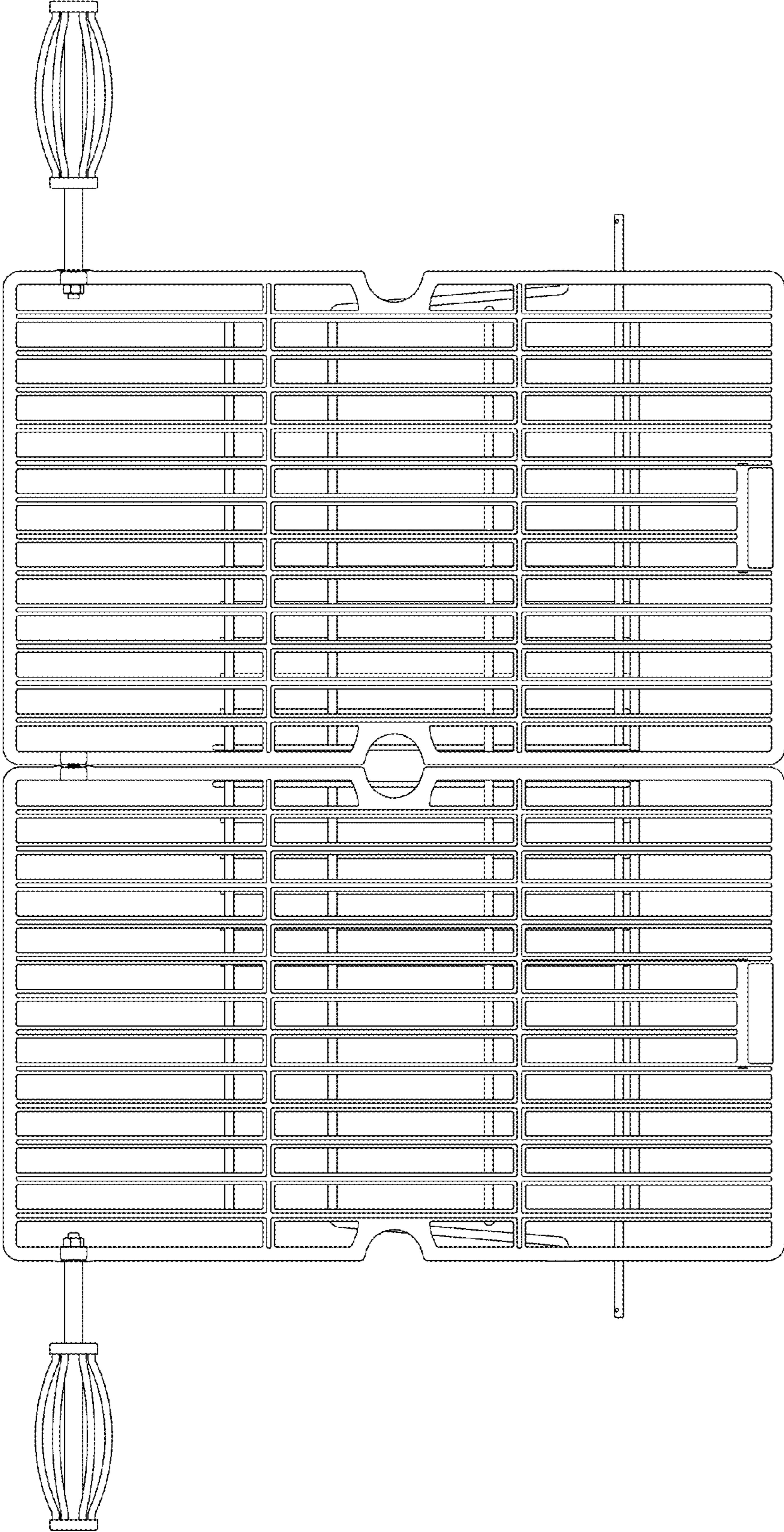


FIG. 7



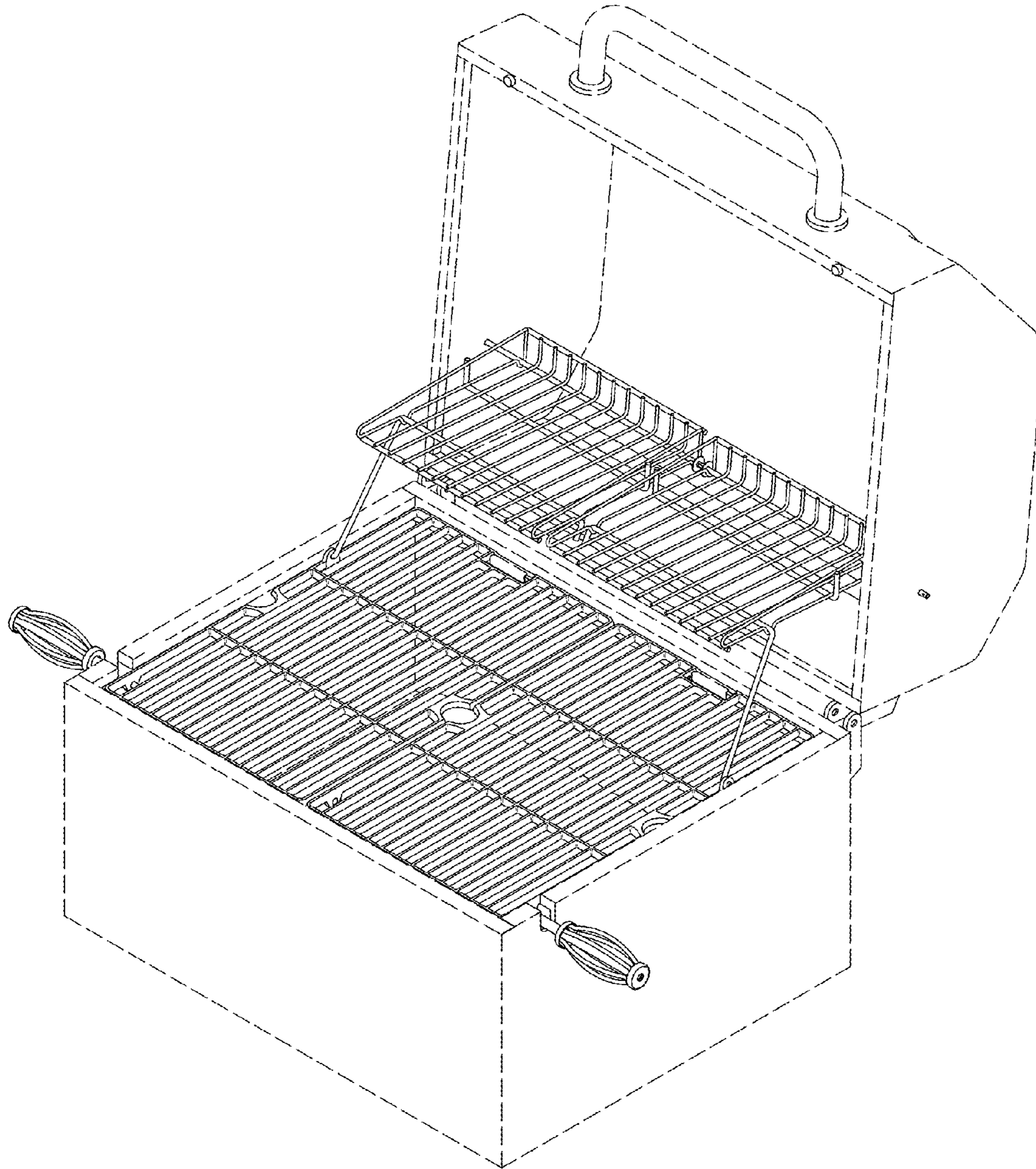


FIG. 8