



US00D702500S

(12) **United States Design Patent**  
**Ishii et al.**

(10) **Patent No.:** **US D702,500 S**  
(45) **Date of Patent:** **\*\* Apr. 15, 2014**

(54) **GRILL PLATE**

(75) Inventors: **Takuya Ishii**, Osaka (JP); **Masaaki Onbe**, Osaka (JP); **Hayato Kawano**, Osaka (JP)

(73) Assignee: **Zojirushi Corporation** (JP)

(\*\*) Term: **14 Years**

(21) Appl. No.: **29/430,545**

(22) Filed: **Aug. 27, 2012**

(30) **Foreign Application Priority Data**

Mar. 7, 2012 (JP) ..... 2012-005112

(51) **LOC (10) Cl.** ..... **07-02**

(52) **U.S. Cl.**  
USPC ..... **D7/409**

(58) **Field of Classification Search**

USPC ..... D7/323, 329–337, 339, 346–347, D7/350.1–350.4, 352–367, 387–388, 391, D7/392.1, 393, 395, 402, 407–410, 500, D7/505, 538–545, 552.1, 552.2, 553.2, D7/554.3, 555, 566, 584–587, 602, D7/672–674, 698, 701, 705, 708; 99/324–325, 331–332, 337–349, 358, 99/369–376, 380, 389, 400–418, 421 H, 99/422–426, 444–446, 483; 126/9 B, 25 R, 126/29, 30, 37 R, 261, 275 R, 376.1, 378.1; 206/501–505, 507–508, 518; 219/386, 219/400, 405, 429–442, 450.1, 452.13, 219/460.1, 620–624, 725, 730–735; 220/4.21–4.24, 23.8, 315, 220/573.1–573.5, 626, 629, 675, 743, 756, 220/769, 912; 426/132, 438, 441, 549

See application file for complete search history.

(56) **References Cited**

U.S. PATENT DOCUMENTS

5,237,914 A \* 8/1993 Carstensen ..... 99/445  
5,524,528 A \* 6/1996 Yeh ..... 99/446  
D380,342 S \* 7/1997 Edmonds ..... D7/363  
5,884,555 A \* 3/1999 Chang ..... 99/425

(Continued)

FOREIGN PATENT DOCUMENTS

JP 1073206 6/2000  
JP 1093753 12/2000

(Continued)

*Primary Examiner* — Ricky Pham

(74) *Attorney, Agent, or Firm* — SAIDMAN DesignLaw Group

(57) **CLAIM**

The ornamental design for a grill plate, as shown and described.

**DESCRIPTION**

FIG. 1 is a perspective view of a grill plate showing our new design;

FIG. 2 is a top plan view thereof;

FIG. 3 is a bottom view thereof;

FIG. 4 is a front view thereof, the rear view being a mirror image thereof;

FIG. 5 is a left side view thereof;

FIG. 6 is a right side view thereof;

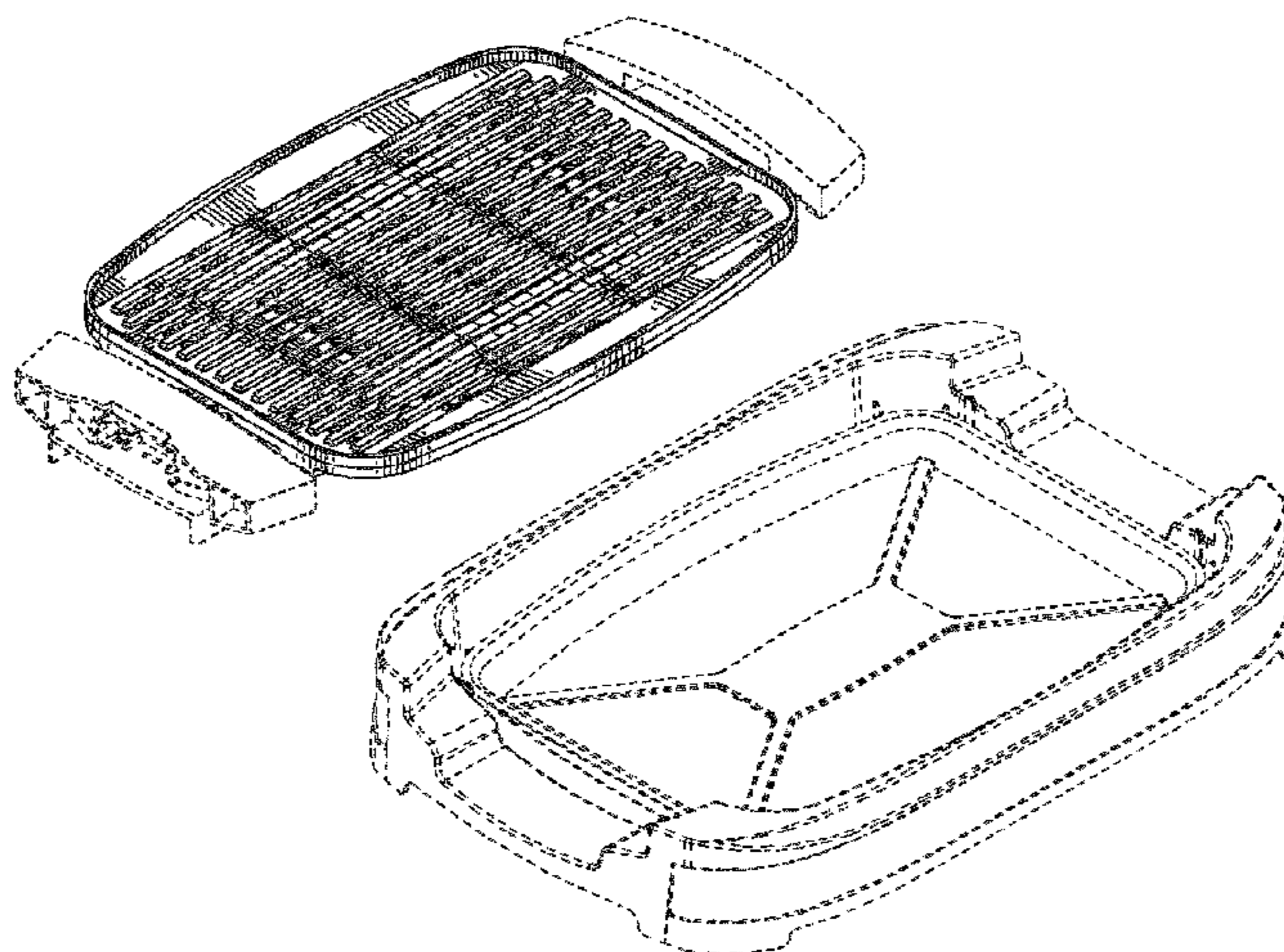
FIG. 7 is an enlarged cross sectional view taken along line B-B of FIG. 2, but only above line A-A, showing the holes in the grill plate;

FIG. 8 is an enlarged cross sectional view taken along line D-D of FIG. 2, but only to the left of line C-C, showing the holes in the grill plate; and,

FIG. 9 is a perspective view thereof shown with a supporting base.

The broken lines shown in the drawings are for illustrative purposes only and form no part of the claimed design.

**1 Claim, 9 Drawing Sheets**



(56)

**References Cited**

U.S. PATENT DOCUMENTS

D416,167 S \* 11/1999 Barker ..... D7/363  
 6,024,014 A \* 2/2000 Kasai ..... 99/425  
 D424,367 S \* 5/2000 Choi ..... D7/363  
 D429,946 S \* 8/2000 Lee ..... D7/362  
 D431,152 S \* 9/2000 Lee ..... D7/362  
 D432,852 S \* 10/2000 Mosher et al. .... D7/337  
 D437,183 S \* 2/2001 Wong et al. .... D7/362  
 D441,250 S \* 5/2001 Choi ..... D7/362  
 D444,667 S \* 7/2001 Wong et al. .... D7/362  
 6,262,399 B1 \* 7/2001 Lau et al. .... 219/450.1  
 D452,630 S \* 1/2002 Choi ..... D7/362  
 D473,419 S \* 4/2003 Garman ..... D7/363  
 D483,605 S \* 12/2003 Gronda ..... D7/359  
 D484,737 S \* 1/2004 Bodum ..... D7/337  
 D497,769 S \* 11/2004 Steinberg et al. .... D7/363

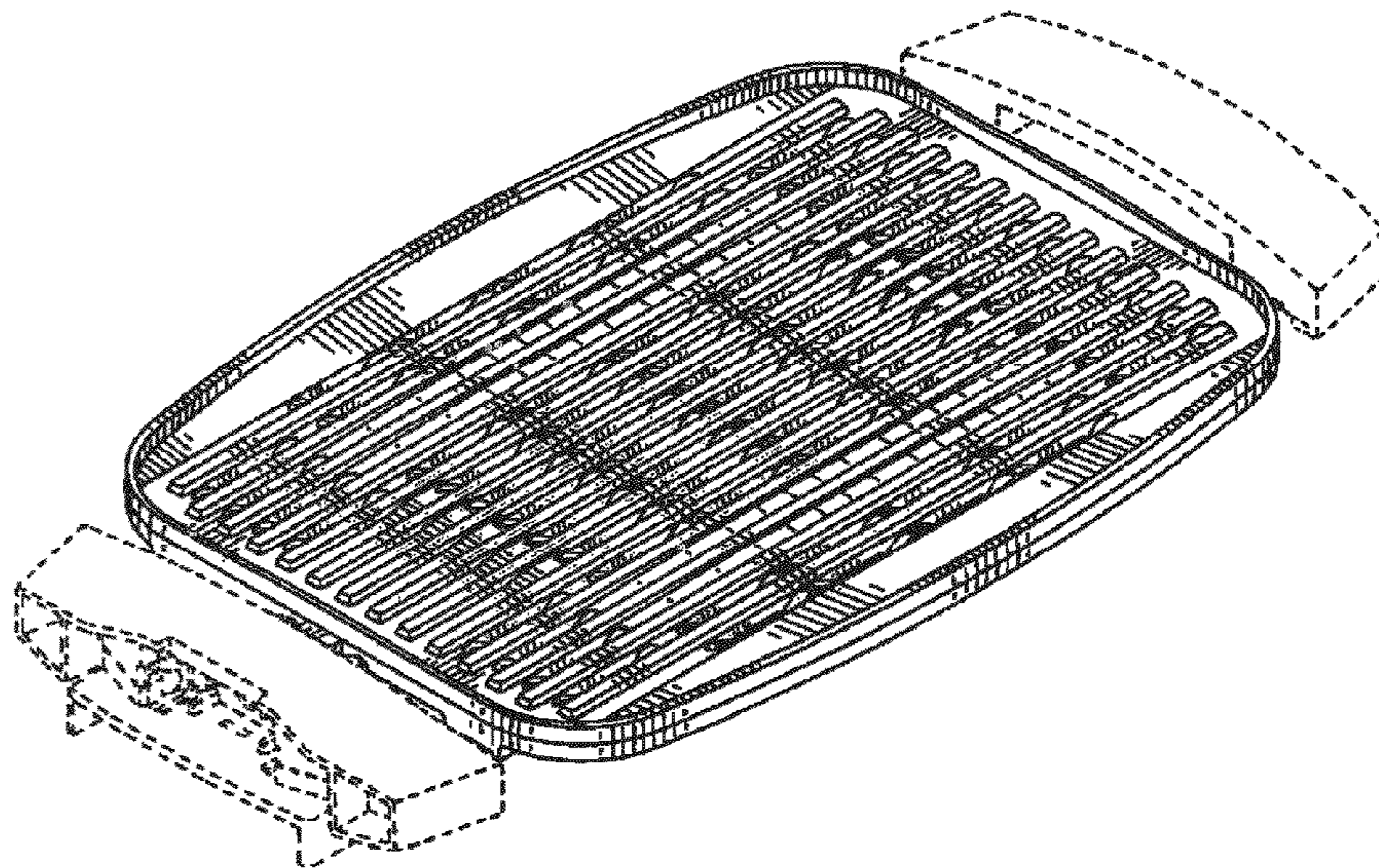
D505,044 S \* 5/2005 Hei ..... D7/363  
 D593,791 S \* 6/2009 Joensson ..... D7/367  
 D611,762 S \* 3/2010 Liu et al. .... D7/409  
 D618,047 S \* 6/2010 Seymour ..... D7/367  
 7,810,484 B2 \* 10/2010 Schlosser et al. .... 126/25 R  
 D644,059 S \* 8/2011 Bodum ..... D7/363  
 D660,640 S \* 5/2012 De'Longhi ..... D7/362

FOREIGN PATENT DOCUMENTS

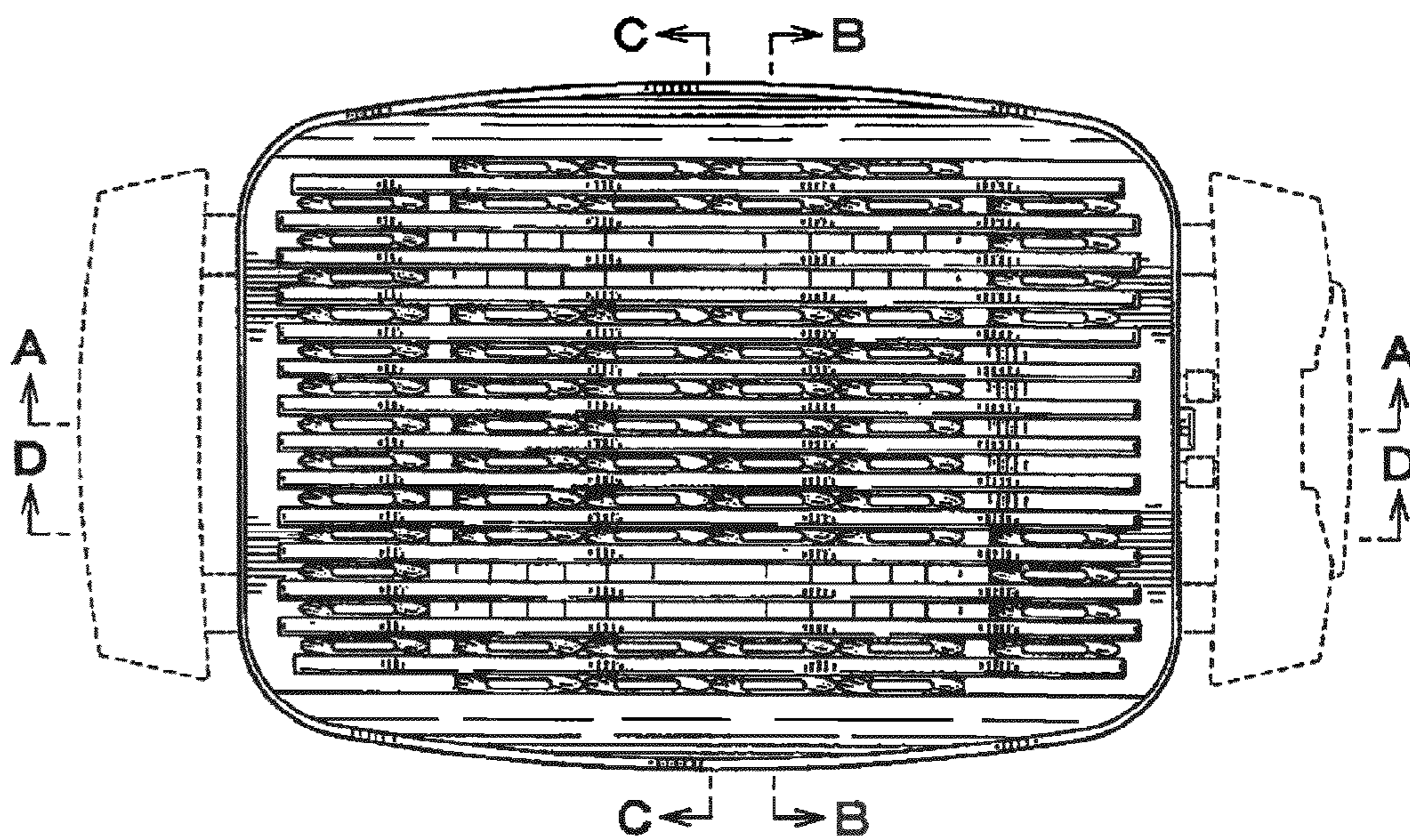
JP	1094036	12/2000
JP	1135831	3/2002
JP	1144783	6/2002
JP	1146770	7/2002
JP	1158411	11/2002
JP	1428189	11/2011

\* cited by examiner

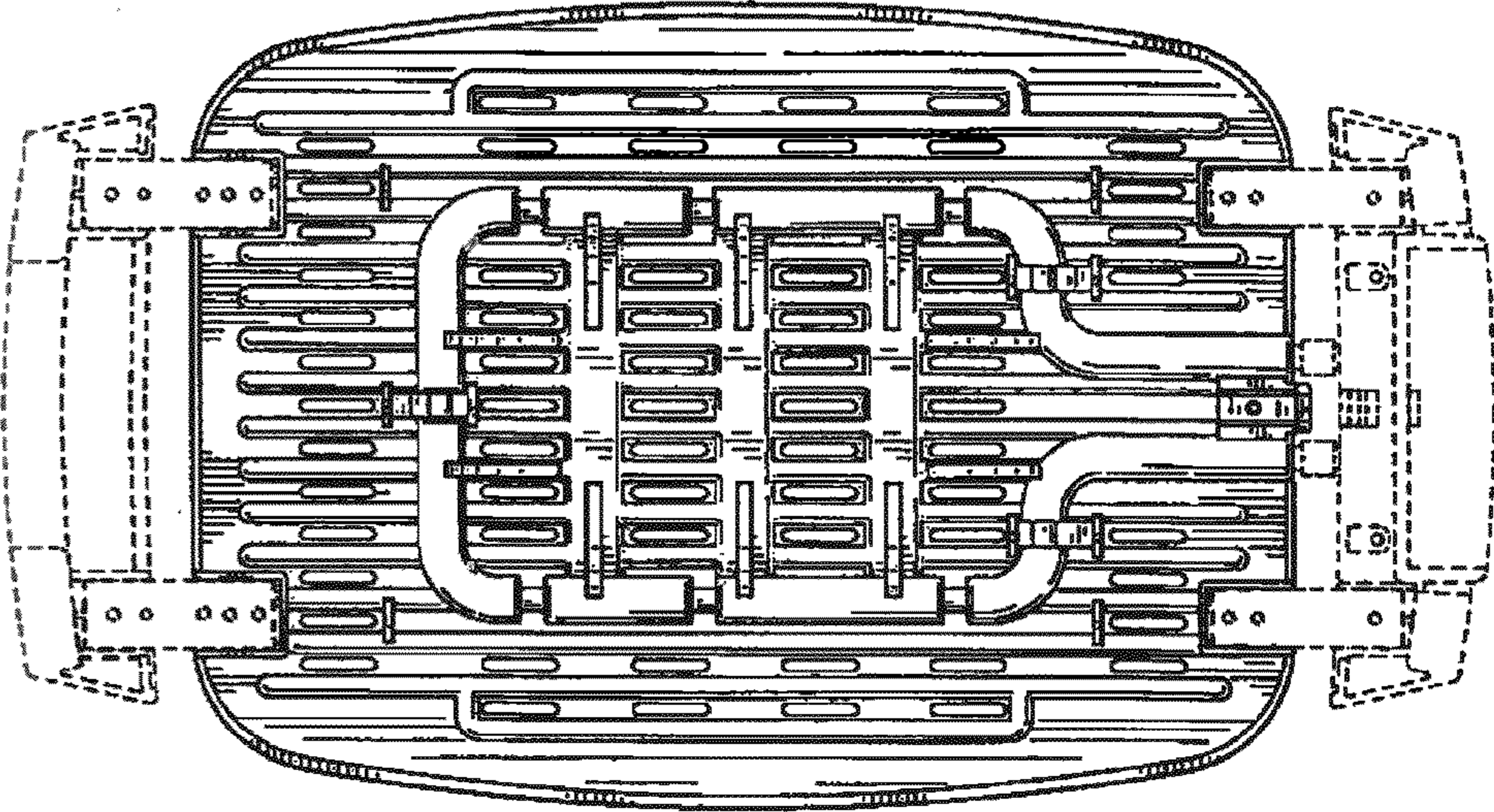
*Fig. 1*



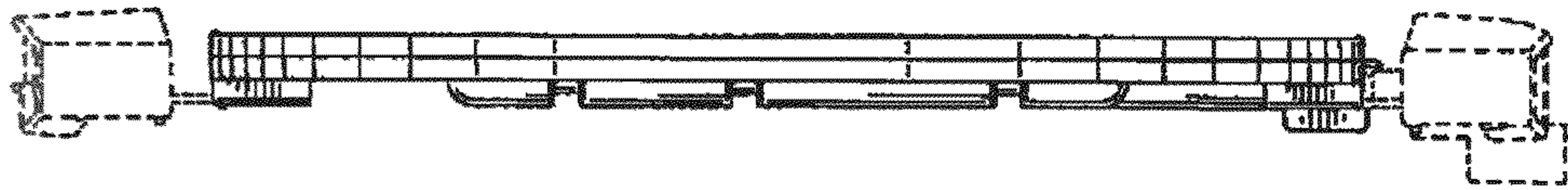
*Fig. 2*



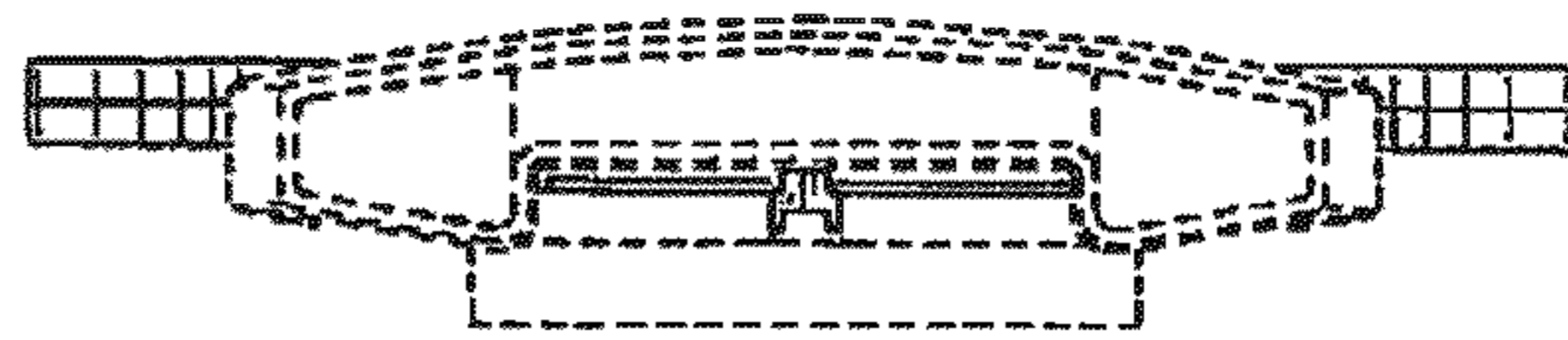
*Fig. 3*



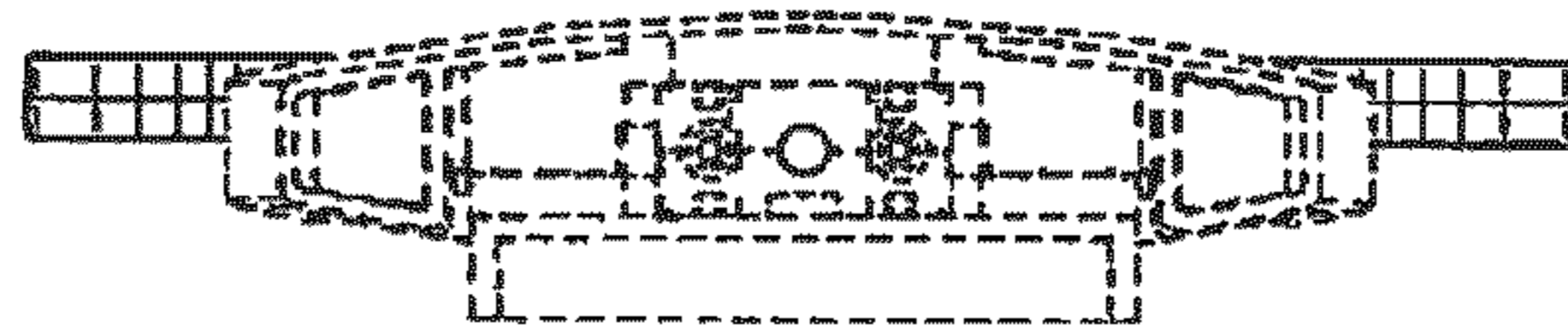
*Fig. 4*



*Fig. 5*

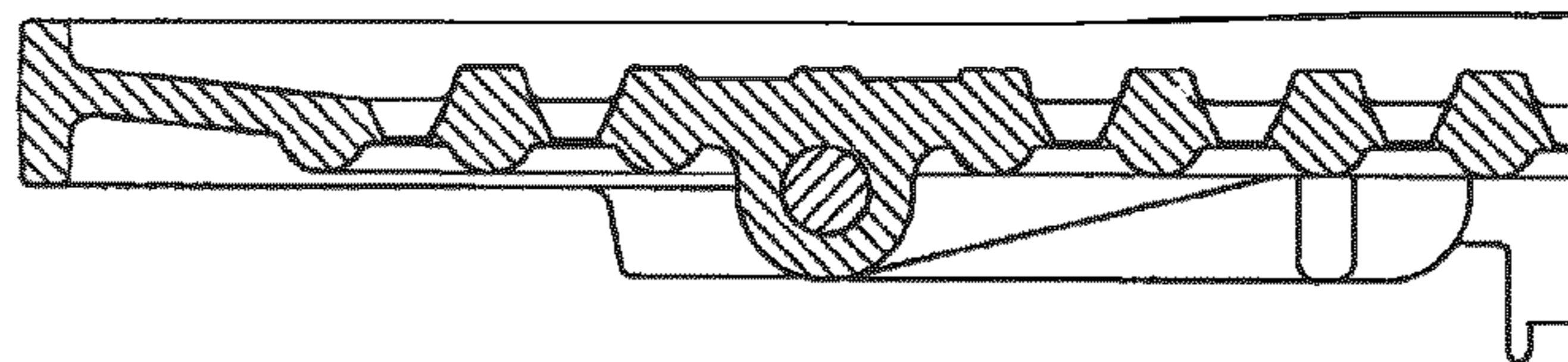


*Fig. 6*

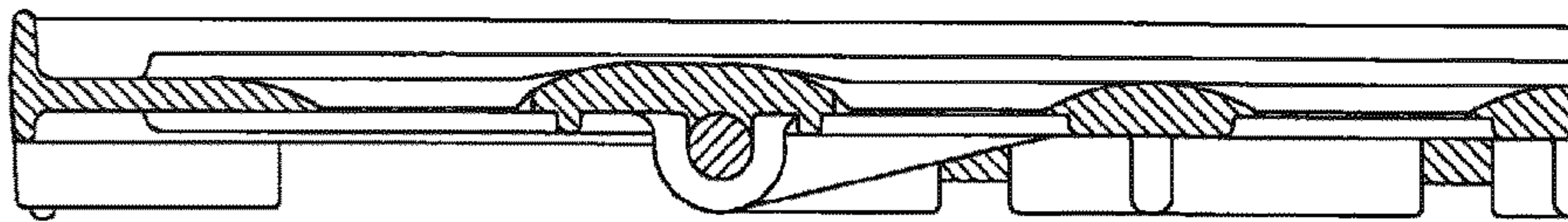




*Fig. 7*



*Fig. 8*



*Fig. 9*

