



US00D702499S

(12) **United States Design Patent**
Zemel et al.

(10) **Patent No.:** **US D702,499 S**
(45) **Date of Patent:** **** Apr. 15, 2014**

- (54) **COOKING TRAY**
- (75) Inventors: **Marc Zemel**, Melville, NY (US); **Adam Schillen**, Dix Hills, NY (US)
- (73) Assignee: **Blue Rhino Global Sourcing, Inc.**, Liberty, MO (US)
- (**) Term: **14 Years**
- (21) Appl. No.: **29/429,770**
- (22) Filed: **Aug. 16, 2012**
- (51) **LOC (10) Cl.** **07-02**
- (52) **U.S. Cl.**
USPC **D7/409**
- (58) **Field of Classification Search**
USPC D7/323, 329–337, 339, 346–347, D7/350.1–350.4, 352–367, 387–388, 391, D7/392.1, 393, 395, 402, 407–410, 500, D7/505, 538–545, 552.1, 552.2, 553.2, D7/554.3, 555, 566, 584–587, 602, D7/672–674, 698, 701, 705, 708; 99/324–325, 331–332, 337–349, 358, 99/369–376, 380, 389, 400–418, 421 H, 99/422–426, 444–446, 483; 108/34; 126/9 B, 25 R, 29, 30, 37 R, 261, 275 R, 126/376.1, 378.1; 206/501–505, 507–508, 206/518; 219/386, 400, 405, 429–442, 219/450.1, 452.13, 460.1, 620–624, 725, 219/730–735; 220/4.21–4.24, 23.8, 315, 220/573.1–573.5, 626, 629, 675, 743, 756, 220/769, 912; 426/132, 438, 441, 549
See application file for complete search history.

4,291,616 A *	9/1981	Taylor	99/446
D283,588 S *	4/1986	Stuckey	D7/332
D300,290 S *	3/1989	Moberg	D7/701
D323,447 S *	1/1992	Booz	D7/705
D353,301 S *	12/1994	Anderson	D7/409
5,400,703 A *	3/1995	Ashcom et al.	99/446
D522,807 S	6/2006	Dow et al.	
D534,034 S *	12/2006	Chambers	D7/402
D551,038 S *	9/2007	Evaimalo et al.	D7/708
D585,702 S	2/2009	Borovicka et al.	
D609,525 S	2/2010	Rabanal	
7,717,029 B2	5/2010	Rowe et al.	
D618,957 S	7/2010	Zemel	
D621,655 S	8/2010	Zemel	
D624,787 S	10/2010	Adams et al.	
D635,825 S	4/2011	Borovicka et al.	
D636,642 S *	4/2011	Dulin	D7/701
D638,670 S *	5/2011	Breitenmoser	D7/701

(Continued)

Primary Examiner — Ricky Pham
(74) *Attorney, Agent, or Firm* — Carter, DeLuca, Farrell & Schmidt LLP

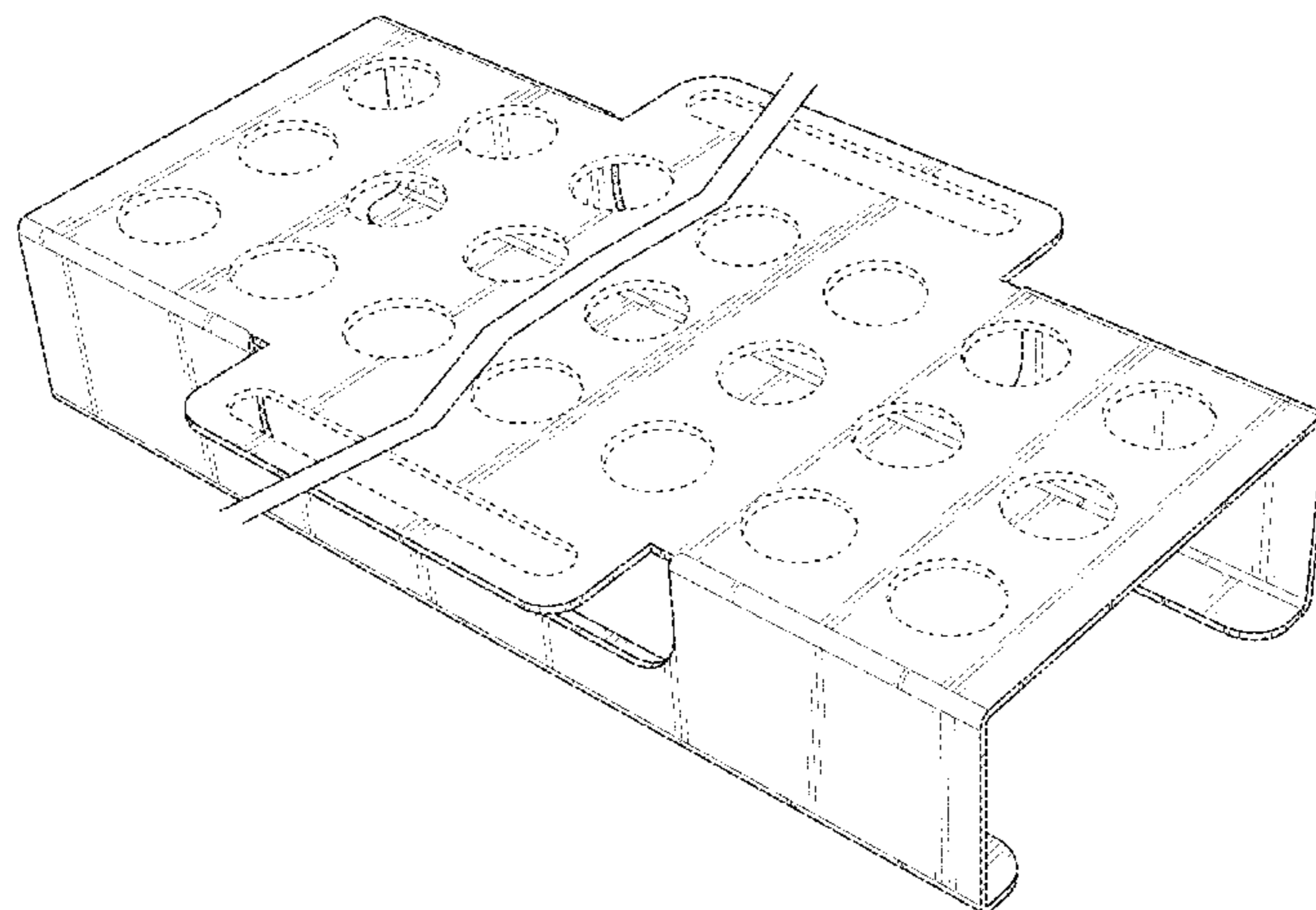
(57) **CLAIM**
The ornamental design for a cooking tray, as shown and described.

DESCRIPTION

FIG. 1 is a perspective view of a cooking tray in accordance with the present design;
FIG. 2 is a right side elevational view thereof, the left side elevational view being a mirror image thereof;
FIG. 3 is a front side elevational view thereof, the rear side elevational view being a mirror image thereof;
FIG. 4 is a top plan view thereof; and,
FIG. 5 is a bottom view thereof.
The broken lines shown are included for the purpose of illustrating a portion of the cooking tray that forms no part of the claimed design.
The stippling in the drawings is for shading purposes only.

1 Claim, 4 Drawing Sheets

- (56) **References Cited**
U.S. PATENT DOCUMENTS
573,045 A * 12/1896 Snyder 126/275 R
2,903,311 A * 9/1959 Earhart 108/34
D241,221 S * 8/1976 Cormier D7/701



(56)

References Cited

U.S. PATENT DOCUMENTS

D639,601 S 6/2011 Borovicka et al.
D650,632 S 12/2011 Zemel

D651,457 S 1/2012 Borovicka et al.
D658,441 S 5/2012 Borovicka et al.
D658,942 S 5/2012 Borovicka et al.
2008/0066734 A1 3/2008 Bright

* cited by examiner

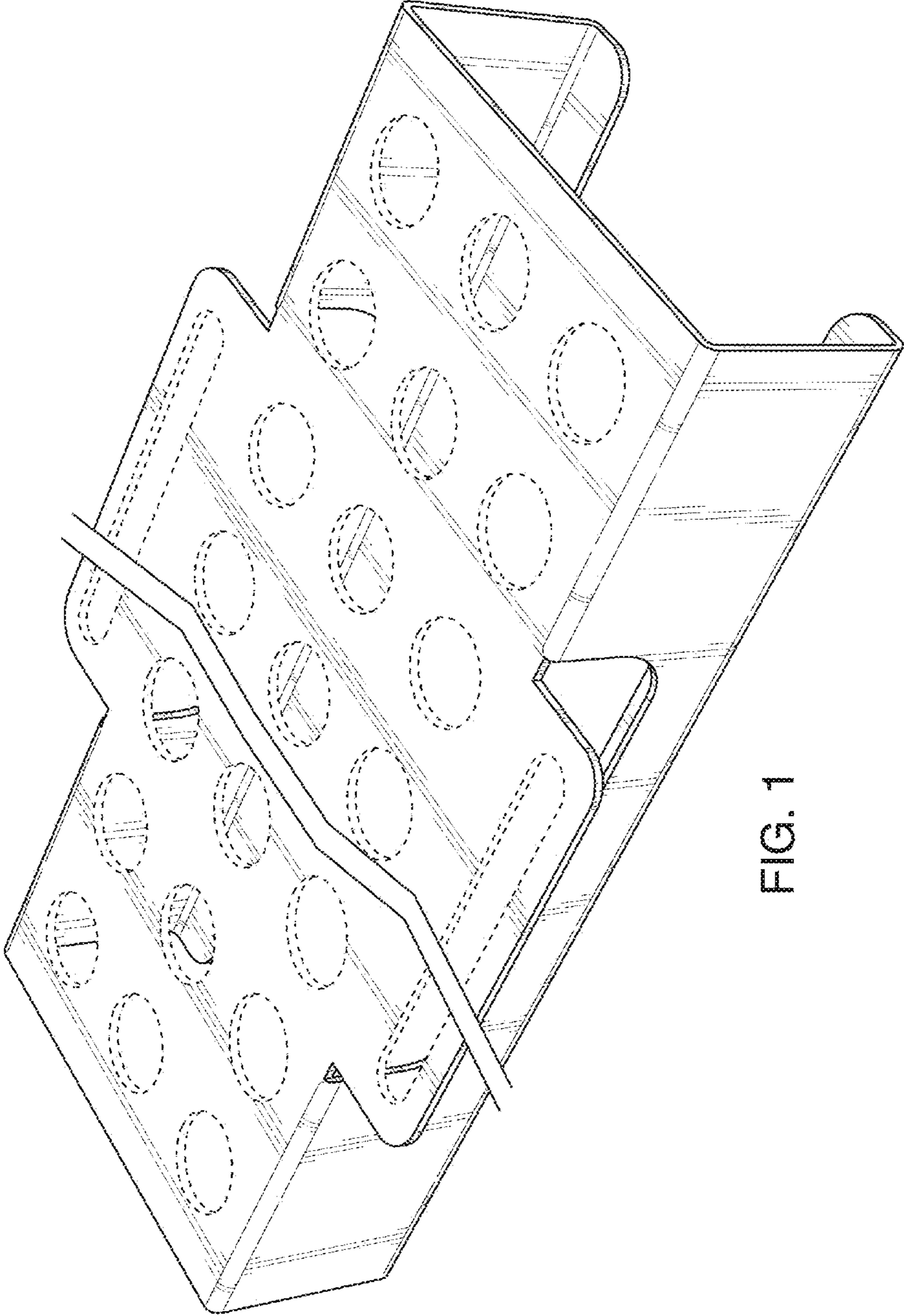


FIG. 1

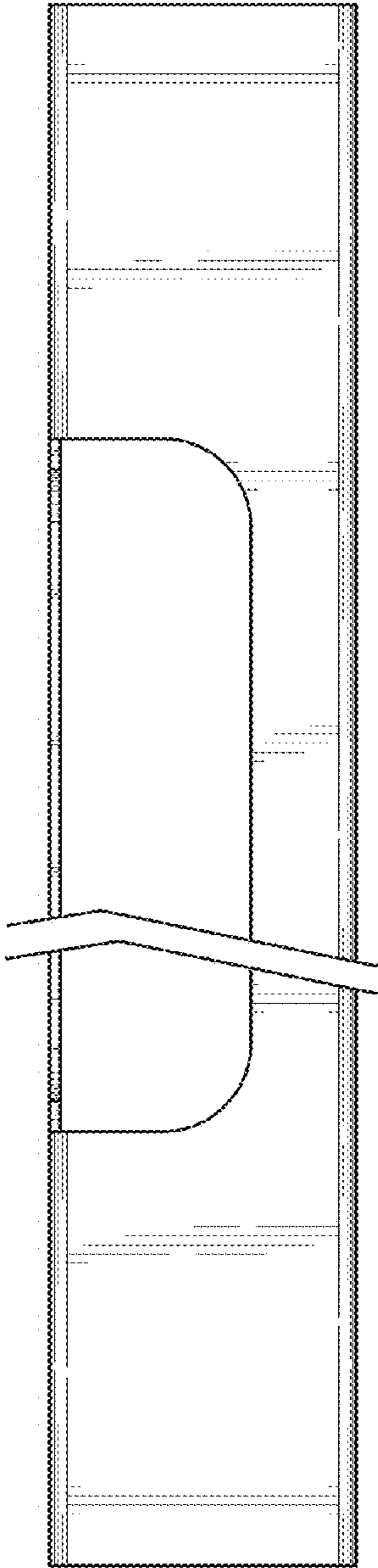


FIG. 2

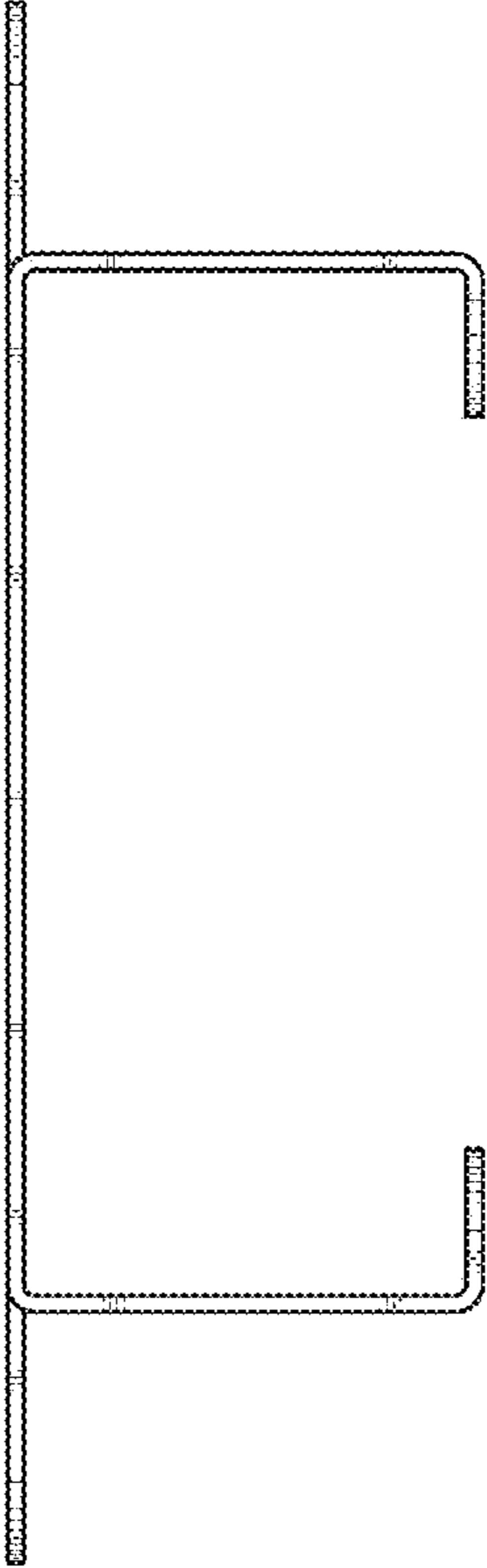


FIG. 3

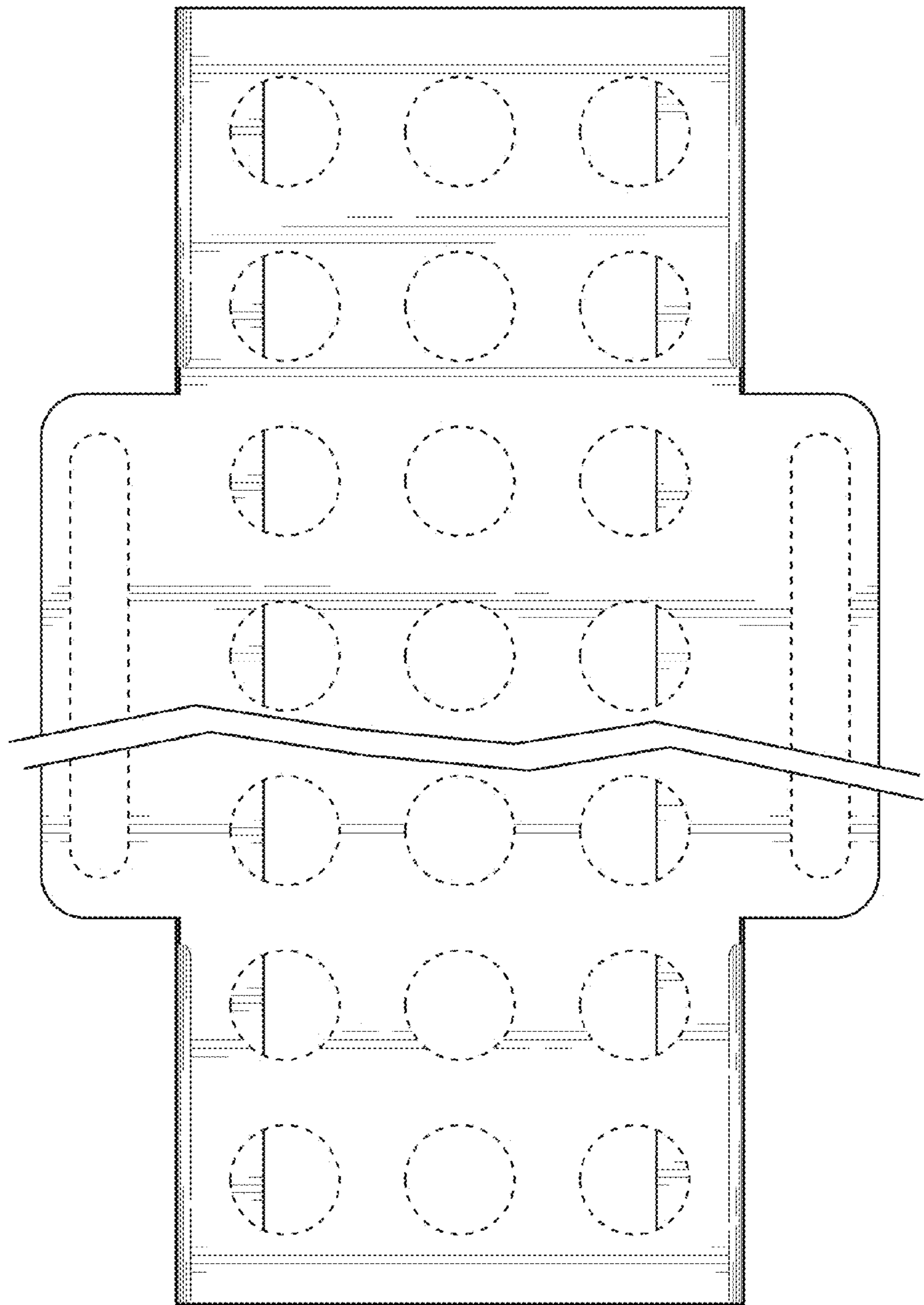


FIG. 4

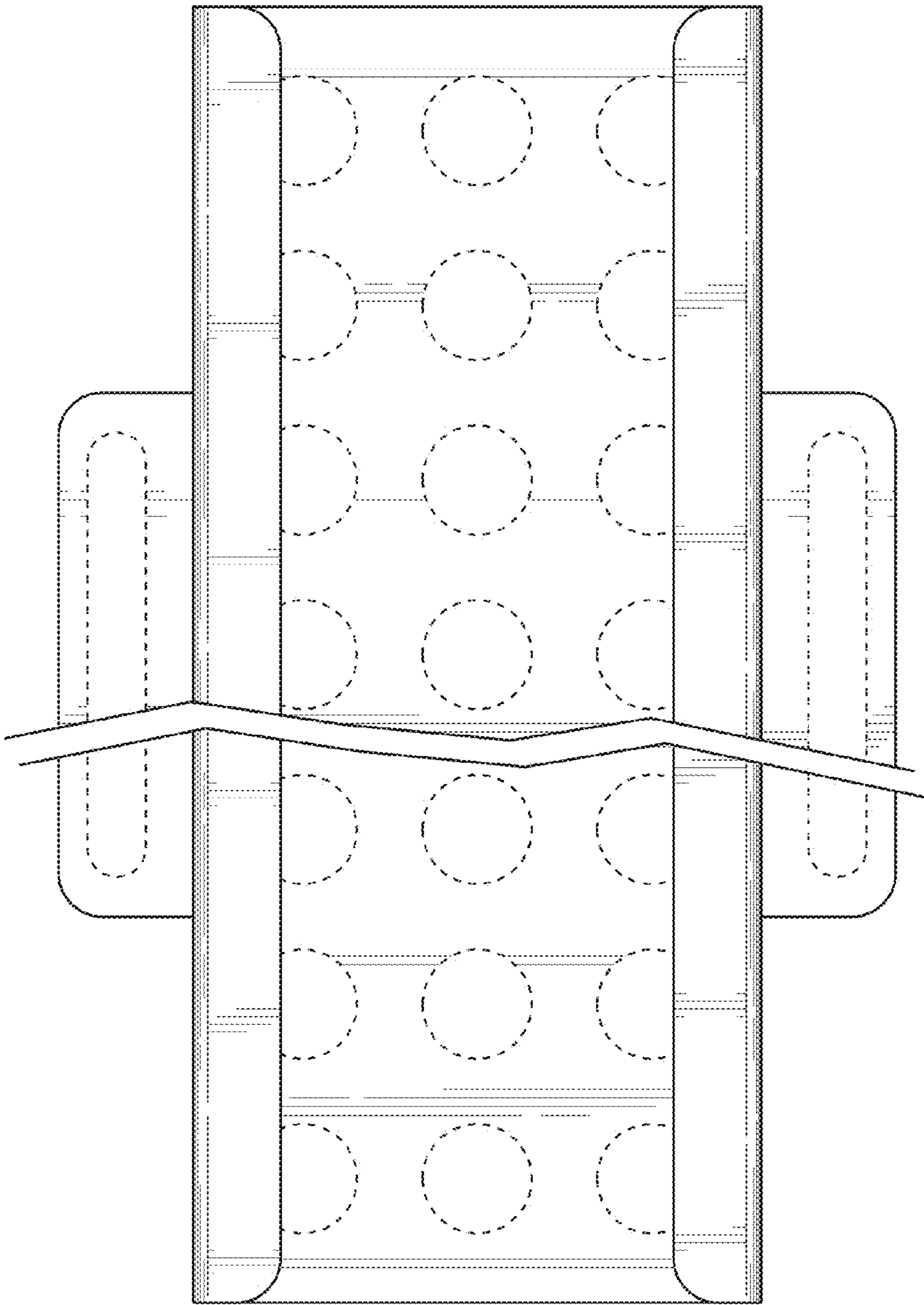


FIG. 5