



US00D702498S

(12) **United States Design Patent**  
**Zemel et al.**

(10) **Patent No.:** **US D702,498 S**  
(45) **Date of Patent:** **\*\* Apr. 15, 2014**

- (54) **COOKING TRAY**
- (75) Inventors: **Marc Zemel**, Melville, NY (US); **Adam Schillen**, Dix Hills, NY (US)
- (73) Assignee: **Blue Rhino Global Sourcing, Inc.**, Liberty, MO (US)
- (\*\*) Term: **14 Years**
- (21) Appl. No.: **29/429,769**
- (22) Filed: **Aug. 16, 2012**
- (51) **LOC (10) Cl.** ..... **07-02**
- (52) **U.S. Cl.**  
USPC ..... **D7/409**
- (58) **Field of Classification Search**  
USPC ..... D7/323, 329–337, 339, 346–347, D7/350.1–350.4, 352–367, 387–388, 391, D7/392.1, 393, 395, 402, 407–410, 500, D7/505, 538–545, 552.1, 552.2, 553.2, D7/554.3, 555, 566, 584–587, 602, D7/672–674, 698; D12/106; D23/400; 99/324–325, 331–332, 337–349, 358, 99/369–376, 380, 389, 400–418, 421 H, 99/422–426, 444–446, 483; 126/9 B, 25 R, 126/29, 30, 37 R, 261, 376.1, 378.1; 206/501–505, 507–508, 518; 211/85.4; 219/386, 400, 405, 429–442, 450.1, 219/452.13, 460.1, 620–624, 725, 219/730–735; 220/4.21–4.24, 23.8, 315, 220/573.1–573.5, 626, 629, 675, 743, 756, 220/769, 912; 426/132, 438, 441, 549  
See application file for complete search history.

- 4,117,825 A \* 10/1978 Robertson ..... 126/29
- D263,918 S \* 4/1982 Boyd ..... D7/336
- D271,740 S \* 12/1983 Borglum ..... D7/332
- D276,688 S \* 12/1984 Lee ..... D7/332
- D277,540 S \* 2/1985 Thomas et al. .... D7/337
- D285,402 S \* 9/1986 Hamill et al. .... D7/335
- D288,165 S \* 2/1987 Thomas ..... D7/408
- D327,602 S \* 7/1992 Walker ..... D7/335
- 5,172,628 A \* 12/1992 Pillsbury et al. .... 99/421 H
- D352,776 S \* 11/1994 Hill et al. .... D23/400
- D362,585 S \* 9/1995 Thompson ..... D7/337
- D369,329 S \* 4/1996 Harris et al. .... D12/106
- 5,715,744 A \* 2/1998 Coutant ..... 99/421 H
- 5,782,224 A \* 7/1998 Rabell ..... 126/25 R
- D417,124 S \* 11/1999 Chen ..... D7/409
- 5,996,820 A \* 12/1999 Broadnax ..... 211/85.4
- 6,006,740 A \* 12/1999 Ulrickson et al. .... 126/29
- 6,508,167 B1 \* 1/2003 Lu ..... 99/421 H

(Continued)

*Primary Examiner* — Ricky Pham  
(74) *Attorney, Agent, or Firm* — Carter, DeLuca, Farrell & Schmidt LLP

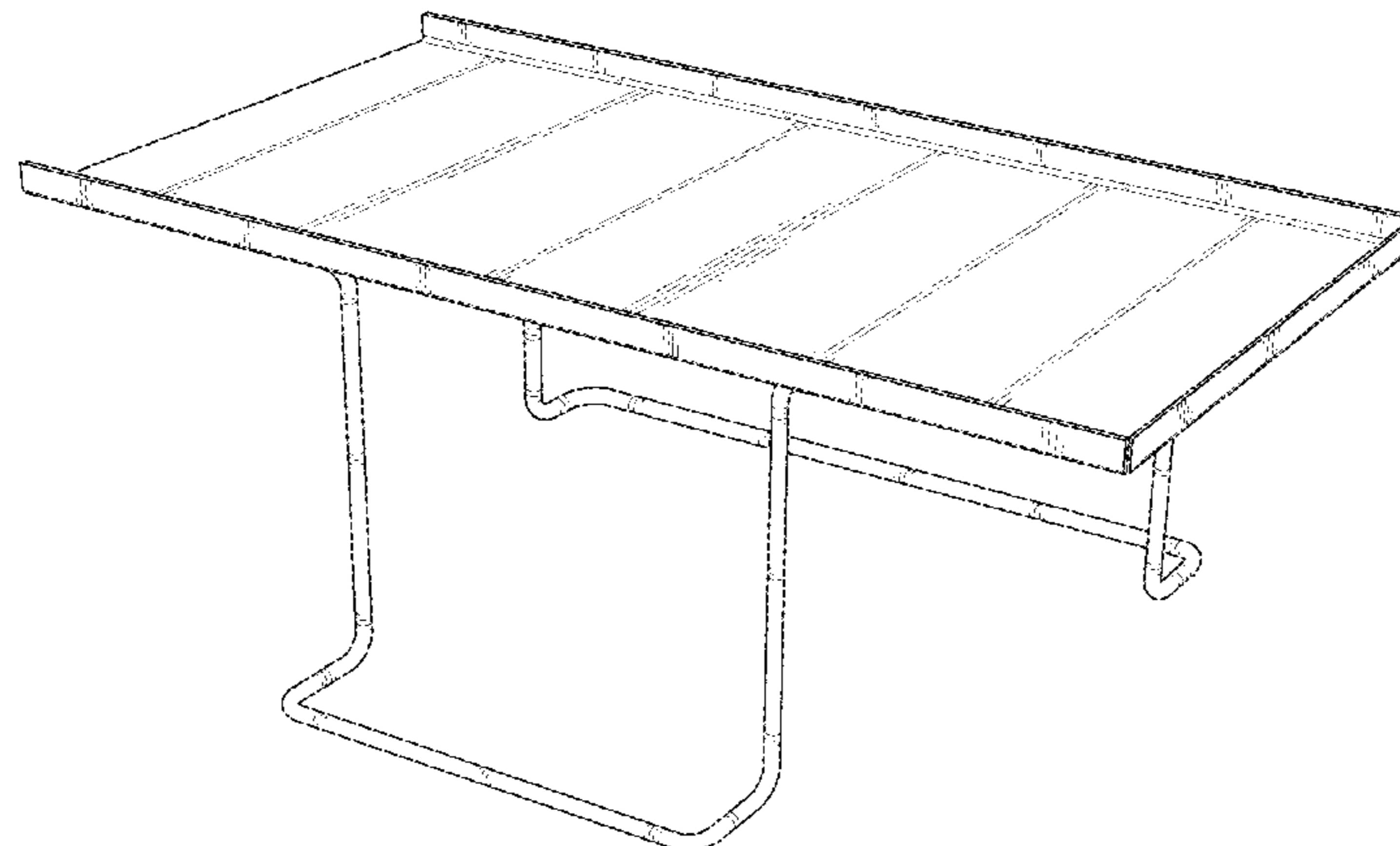
(57) **CLAIM**  
The ornamental design for a cooking tray, as shown and described.

**DESCRIPTION**

FIG. 1 is a perspective view of a cooking tray in accordance with the present design;  
FIG. 2 is a right side elevational view thereof;  
FIG. 3 is a left side elevational view thereof;  
FIG. 4 is a front side elevational view thereof;  
FIG. 5 is a rear side elevational view thereof;  
FIG. 6 is a top plan view thereof; and,  
FIG. 7 is a bottom view thereof.  
The broken lines shown are included for the purpose of illustrating a portion of the cooking tray that forms no part of the claimed design.  
The stippling in the drawings is for shading purposes only.

**1 Claim, 6 Drawing Sheets**

- (56) **References Cited**  
U.S. PATENT DOCUMENTS  
2,604,884 A \* 7/1952 Walker ..... 126/30  
2,827,846 A \* 3/1958 Karkling ..... 99/339  
3,641,922 A \* 2/1972 Nachazel et al. .... 99/340



# US D702,498 S

Page 2

---

(56)

## References Cited

### U.S. PATENT DOCUMENTS

6,827,077 B1 \* 12/2004 Haas ..... 126/30  
D558,520 S 1/2008 Raichlen et al.  
7,350,458 B2 \* 4/2008 Leibowitz ..... 99/340

D581,205 S \* 11/2008 Simon et al. .... D7/354  
D594,276 S \* 6/2009 Hamlin ..... D7/402  
D630,886 S \* 1/2011 Thanasouk ..... D7/360  
D658,441 S 5/2012 Borovicka et al.

\* cited by examiner

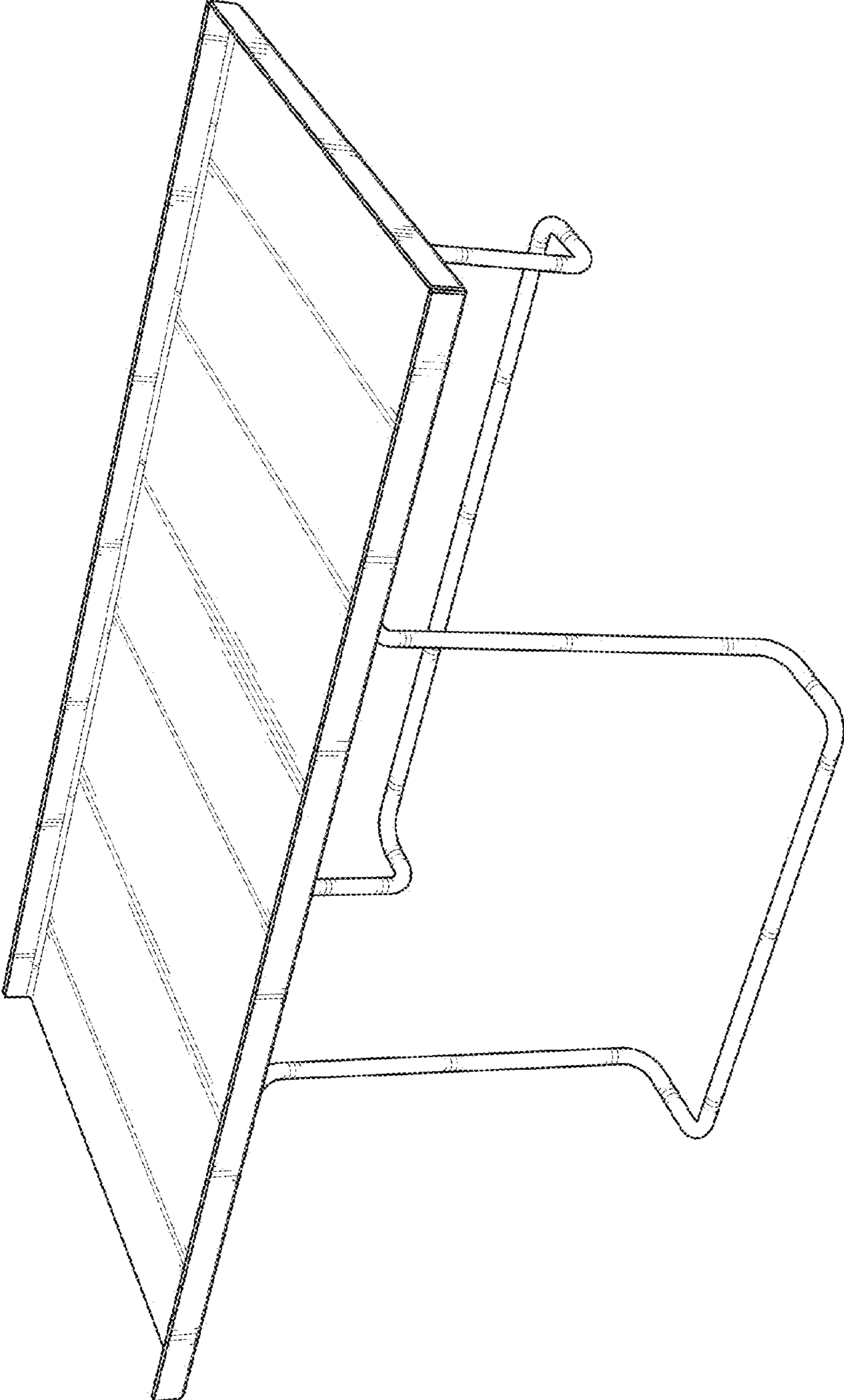


FIG. 1

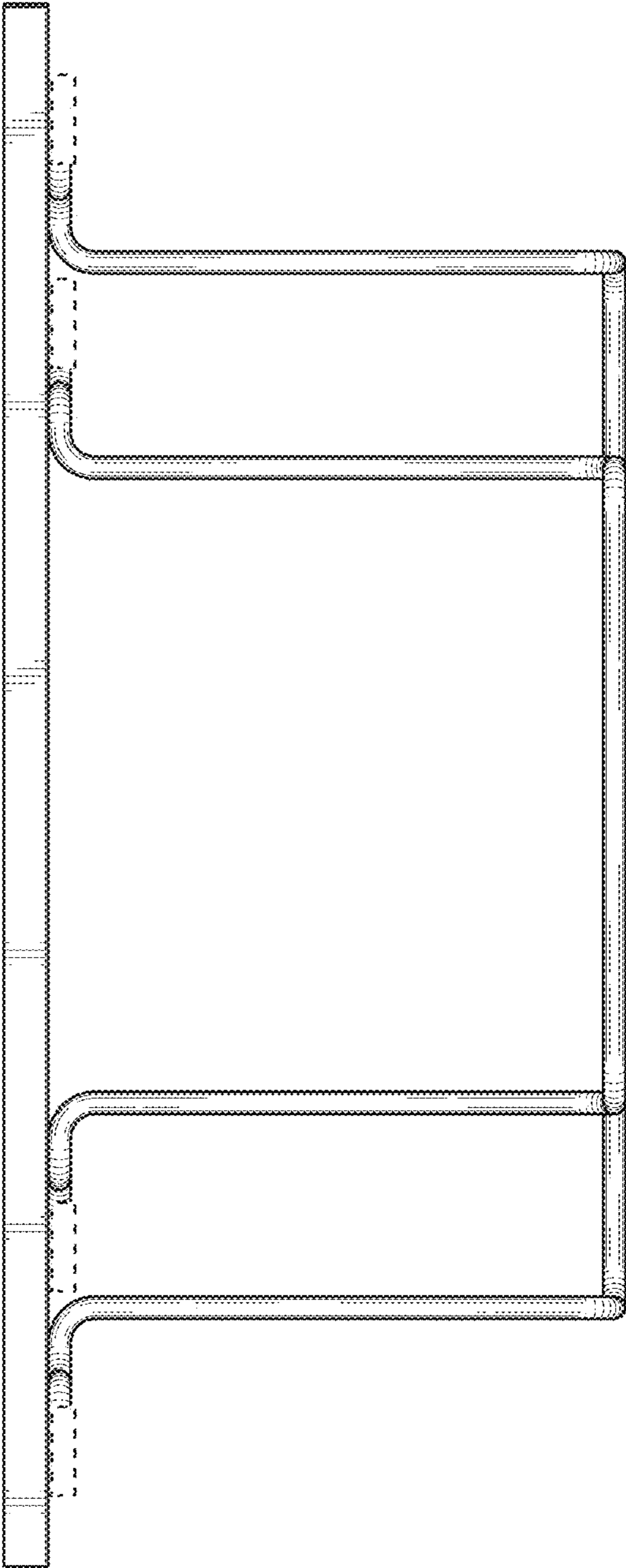


FIG. 2

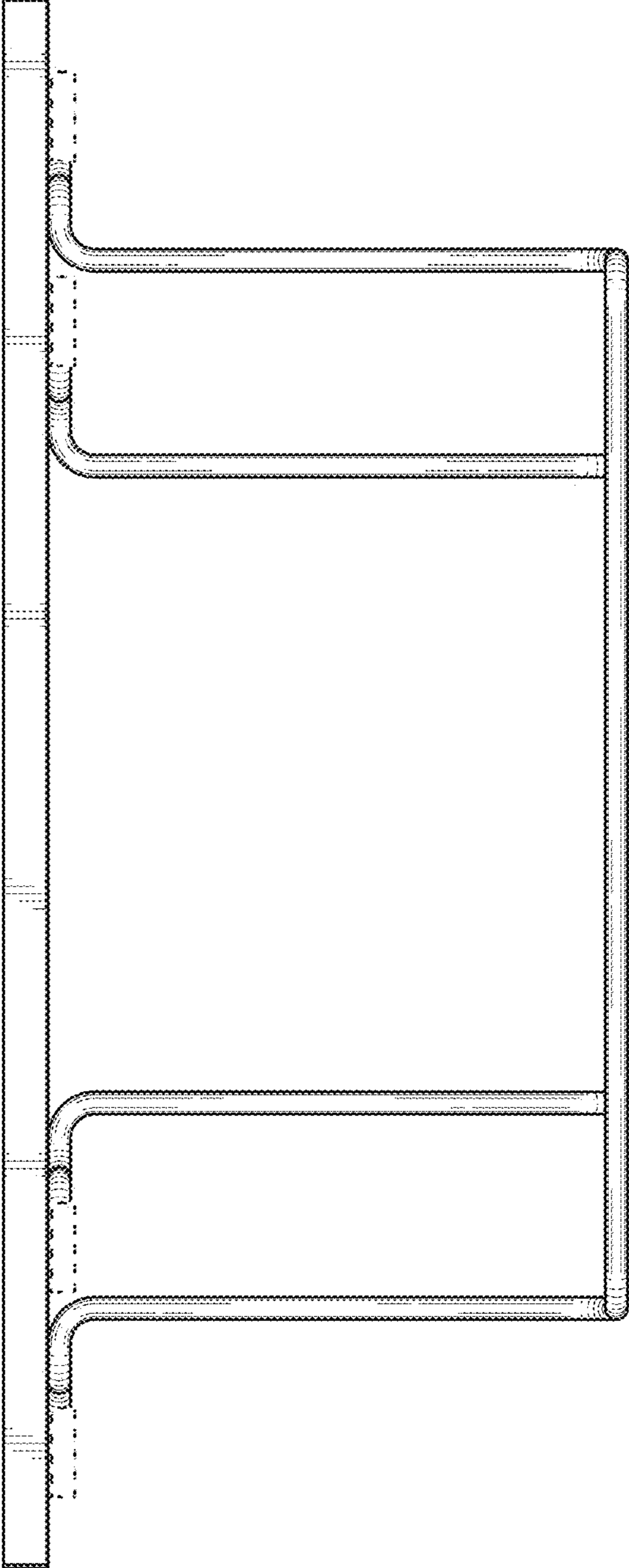


FIG. 3

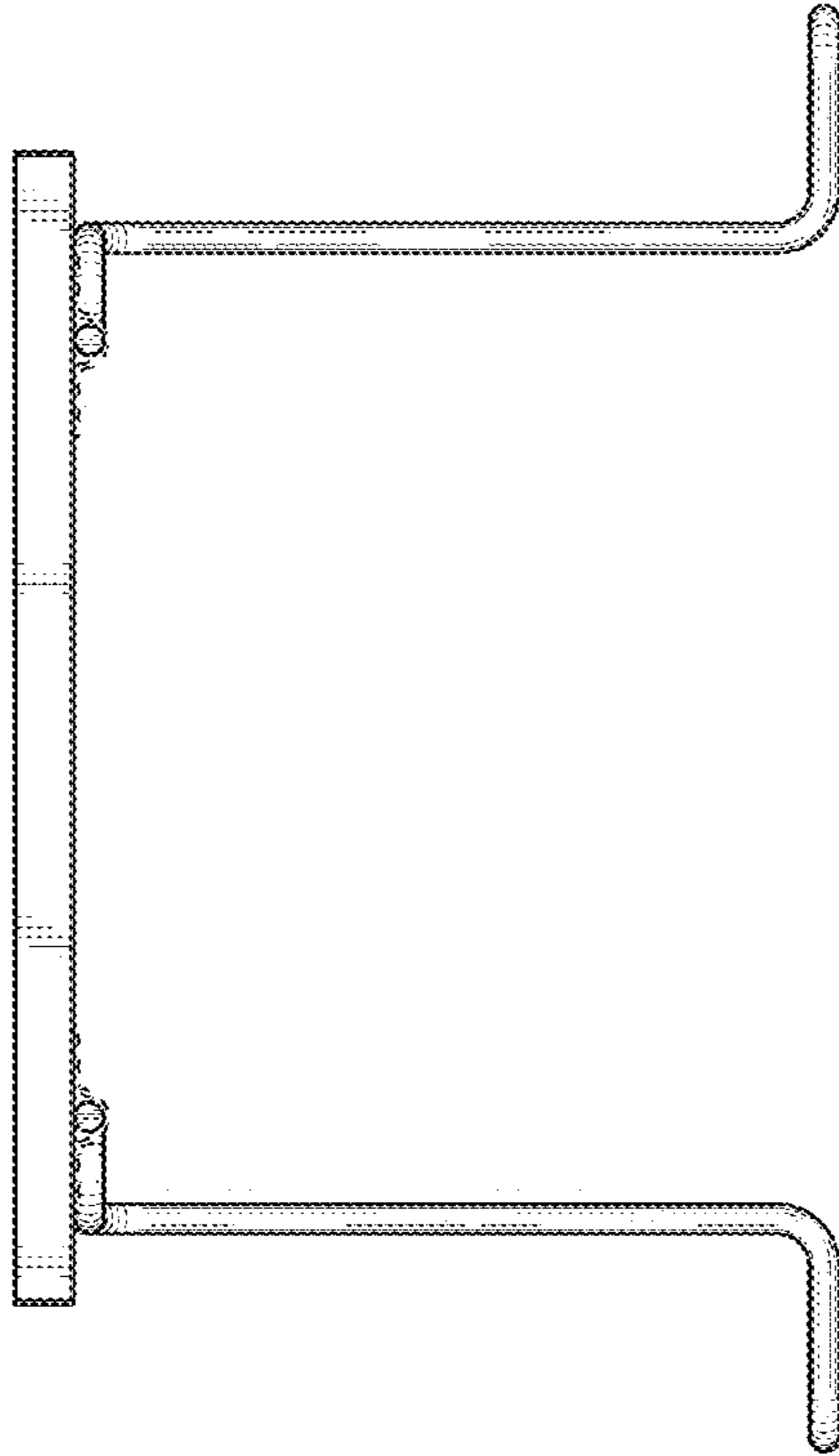


FIG. 4

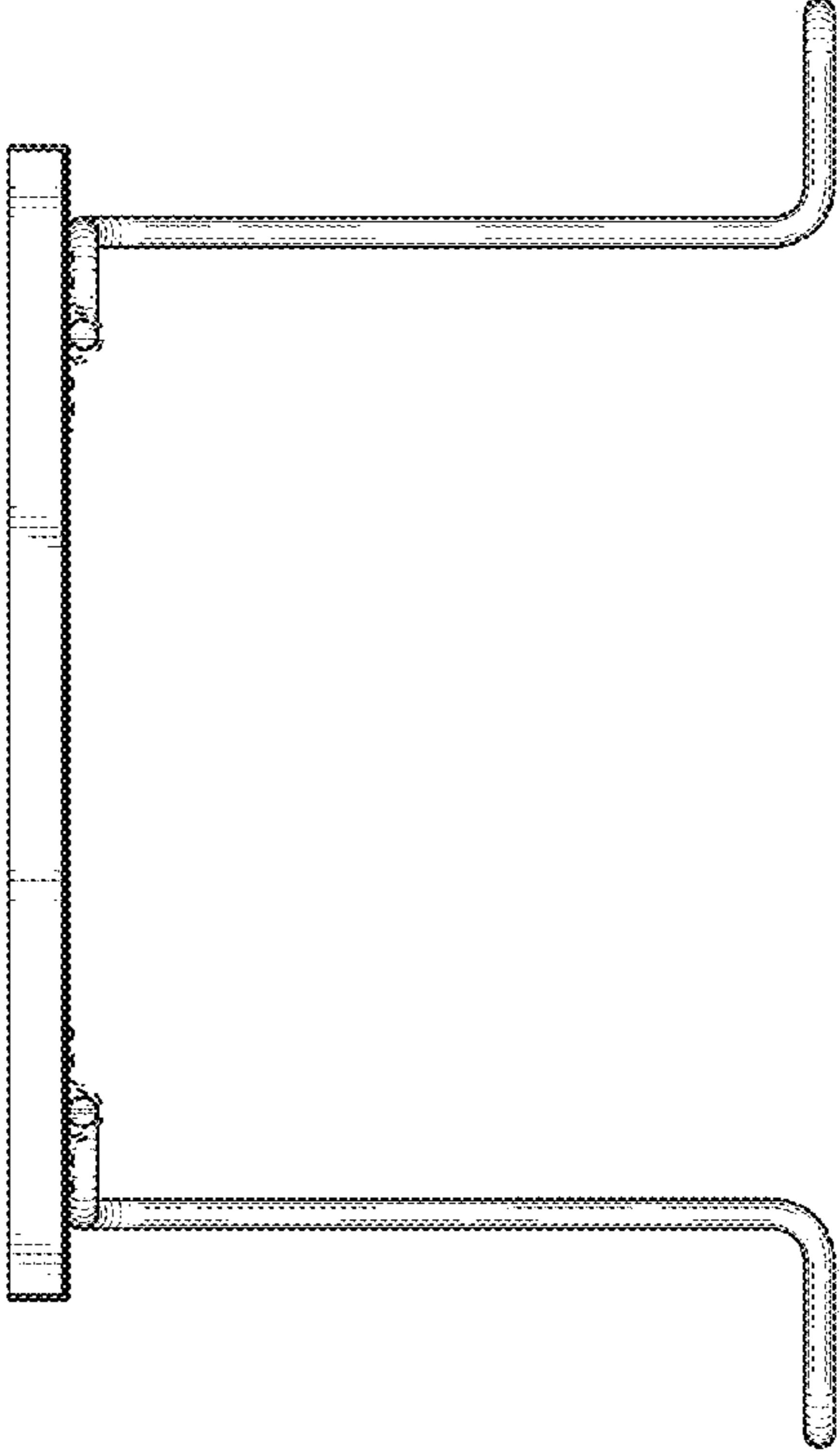


FIG. 5

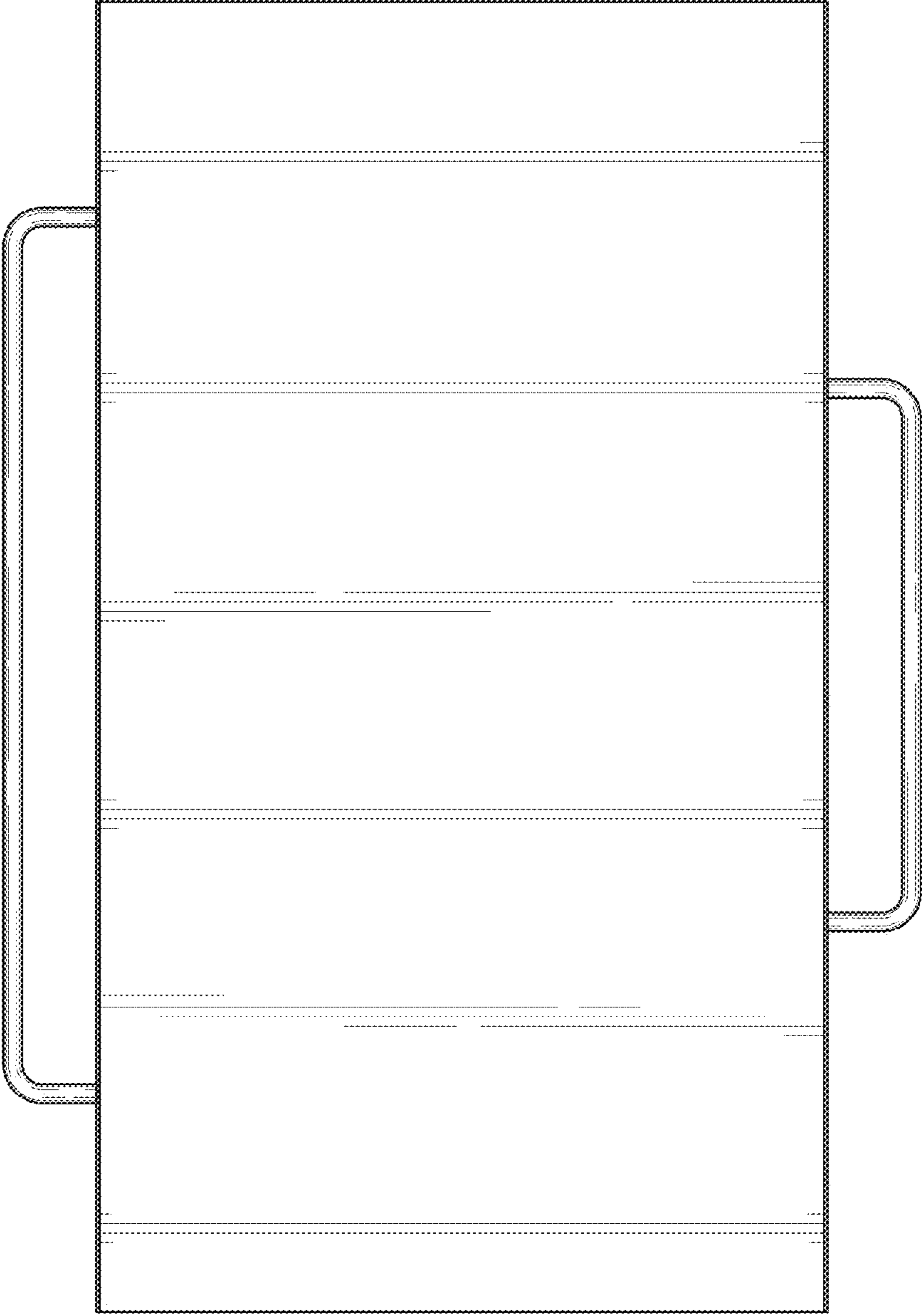


FIG. 6

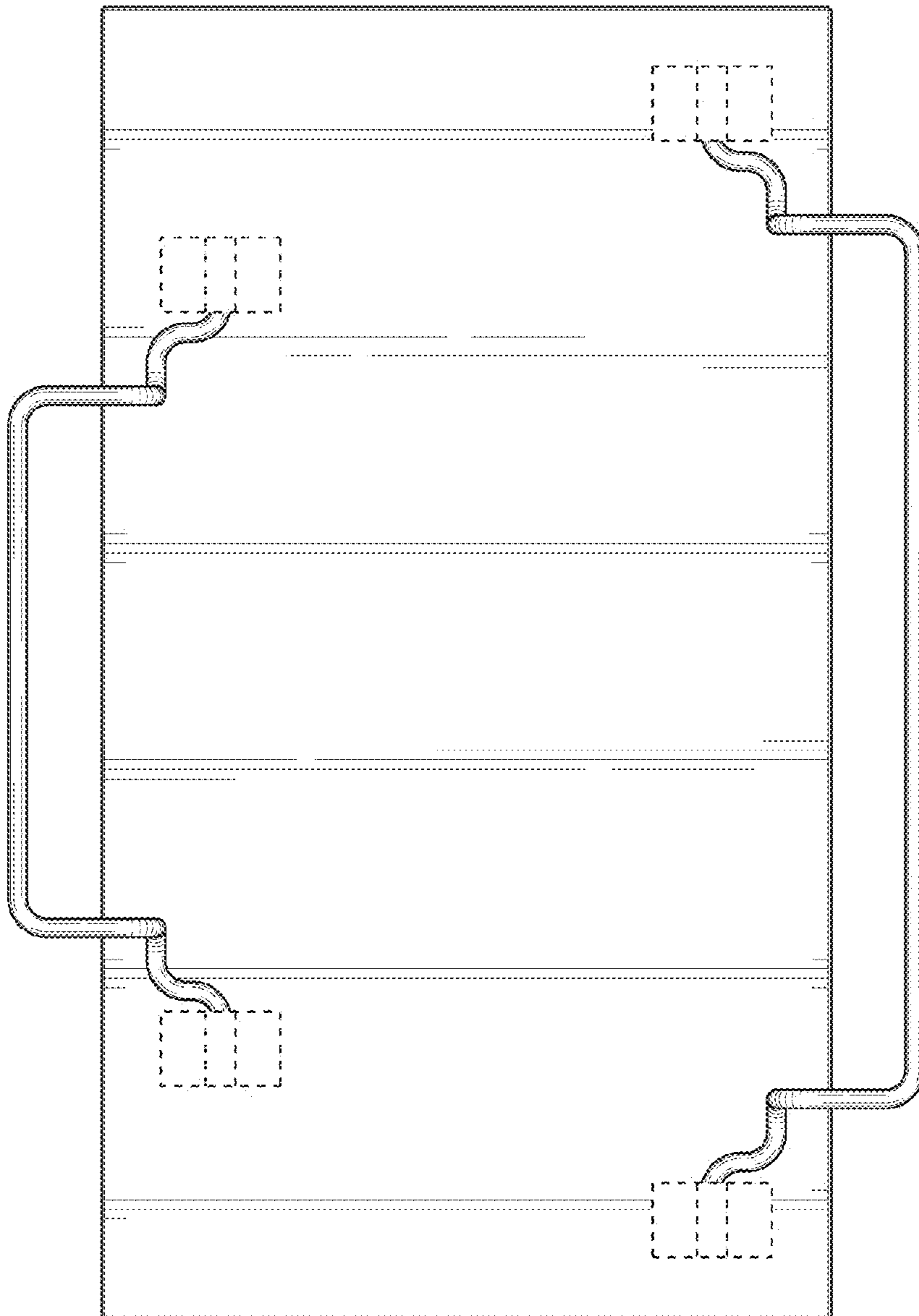


FIG. 7