



US00D702496S

(12) **United States Design Patent**  
**Funnell, II et al.**

(10) **Patent No.:** **US D702,496 S**  
(45) **Date of Patent:** **\*\* Apr. 15, 2014**

- (54) **GAS COOKTOP GRATE SET**
- (71) Applicant: **BSH Home Appliances Corporation**,  
Irvine, CA (US)
- (72) Inventors: **Richard W. Funnell, II**, Huntington  
Beach, CA (US); **Graham Sadtler**,  
Huntington Beach, CA (US)
- (73) Assignee: **BSH Home Appliances Corporation**,  
Irvine, CA (US)
- (\*\*) Term: **14 Years**
- (21) Appl. No.: **29/465,418**
- (22) Filed: **Aug. 28, 2013**
- (51) **LOC (10) Cl.** ..... **07-02**
- (52) **U.S. Cl.**  
USPC ..... **D7/408**
- (58) **Field of Classification Search**  
USPC ..... D7/339-341, 346, 354-361, 388, 402,  
D7/408-409; D23/346-347, 397; 99/385,  
99/402, 403, 427, 449-450, 421 A, 421 H,  
99/421 R; 126/211, 275 R; 220/491, 912  
See application file for complete search history.

D486,690 S *	2/2004	Becker et al.	.....	D7/408
D489,933 S *	5/2004	Rummel et al.	.....	D7/346
D495,557 S *	9/2004	Shin	.....	D7/408
D495,924 S *	9/2004	Becker et al.	.....	D7/408
D524,601 S *	7/2006	Vetter	.....	D7/408
D554,945 S *	11/2007	Chung	.....	D7/409
D557,069 S *	12/2007	Shin et al.	.....	D7/408
D577,255 S *	9/2008	Baldwin et al.	.....	D7/408
D585,241 S *	1/2009	Geiger et al.	.....	D7/408
D622,543 S *	8/2010	Funnell et al.	.....	D7/408
D628,431 S *	12/2010	Funnell et al.	.....	D7/346
D634,579 S *	3/2011	Funnell et al.	.....	D7/408
8,118,020 B2 *	2/2012	Rummel et al.	.....	126/211

\* cited by examiner

*Primary Examiner* — T. Chase Nelson  
*Assistant Examiner* — Mark Cavanna

(74) *Attorney, Agent, or Firm* — James E. Howard; Andre Pallapies

(57) **CLAIM**

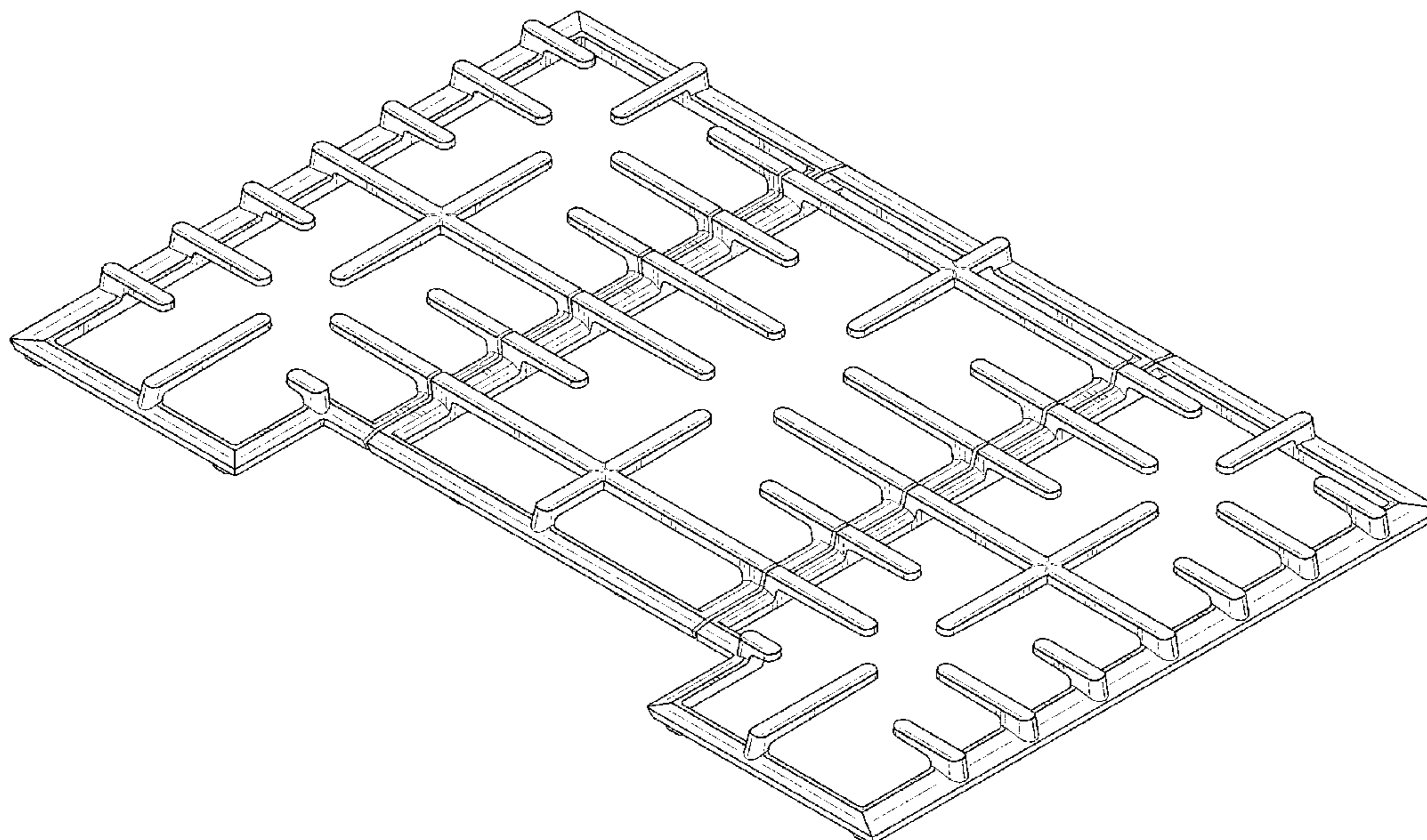
The ornamental design for a gas cooktop grate set, as shown and described.

**DESCRIPTION**

FIG. 1 is a front perspective view of a gas cooktop grate set according to our new ornamental design;  
FIG. 2 a top view thereof;  
FIG. 3 is a bottom view thereof;  
FIG. 4 is a front view thereof;  
FIG. 5 is a rear view thereof; and,  
FIG. 6 is a right side view thereof, with the left side view thereof being a mirror image thereof.

**1 Claim, 4 Drawing Sheets**

- (56) **References Cited**  
U.S. PATENT DOCUMENTS
- |              |         |               |       |        |
|--------------|---------|---------------|-------|--------|
| D461,090 S * | 8/2002  | Rummel et al. | ..... | D7/346 |
| D467,461 S * | 12/2002 | Jones et al.  | ..... | D7/346 |
| D468,161 S * | 1/2003  | Goodwin       | ..... | D7/408 |
| D470,359 S * | 2/2003  | Jones et al.  | ..... | D7/408 |
| D481,589 S * | 11/2003 | Becker et al. | ..... | D7/408 |



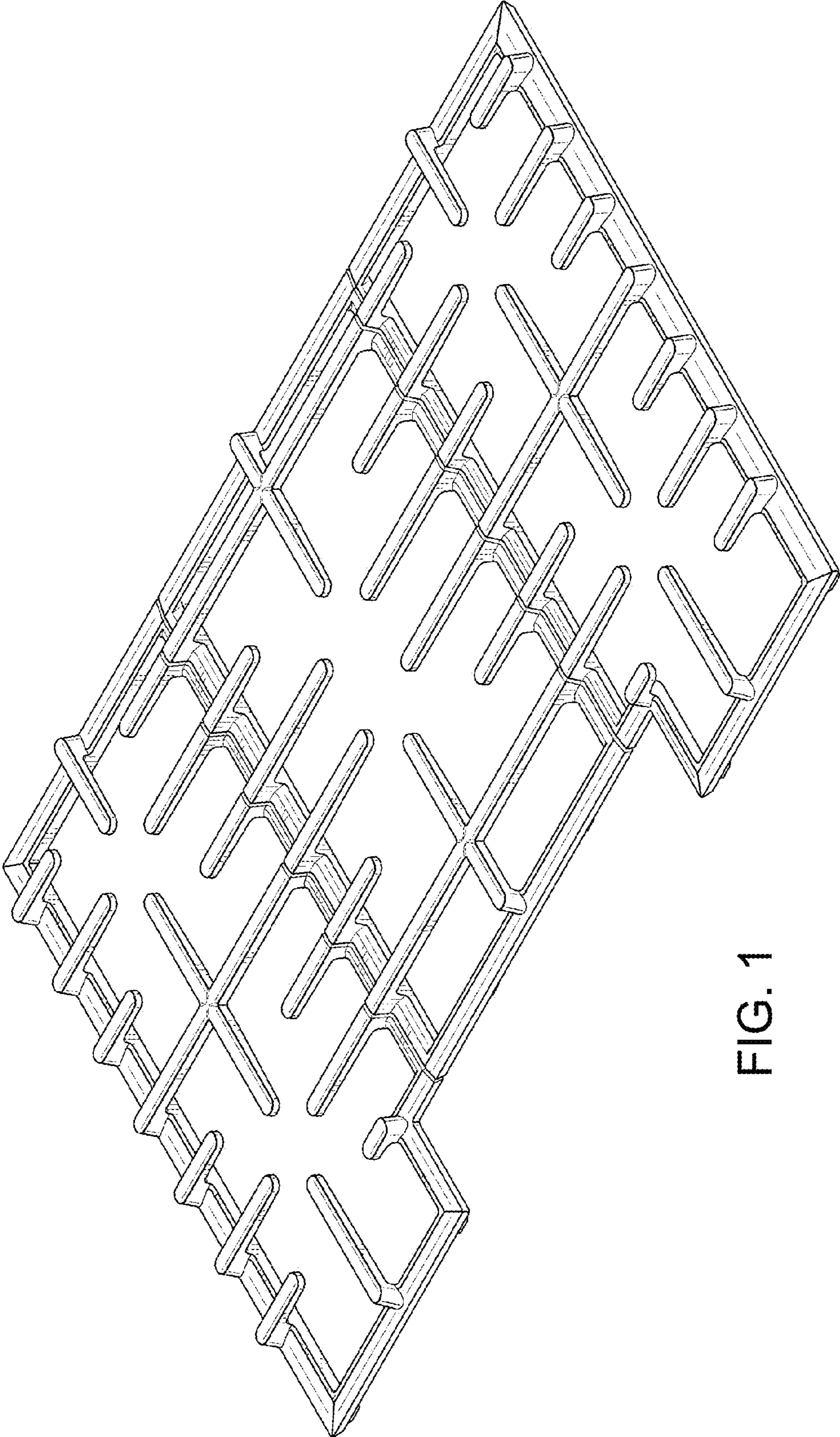


FIG. 1

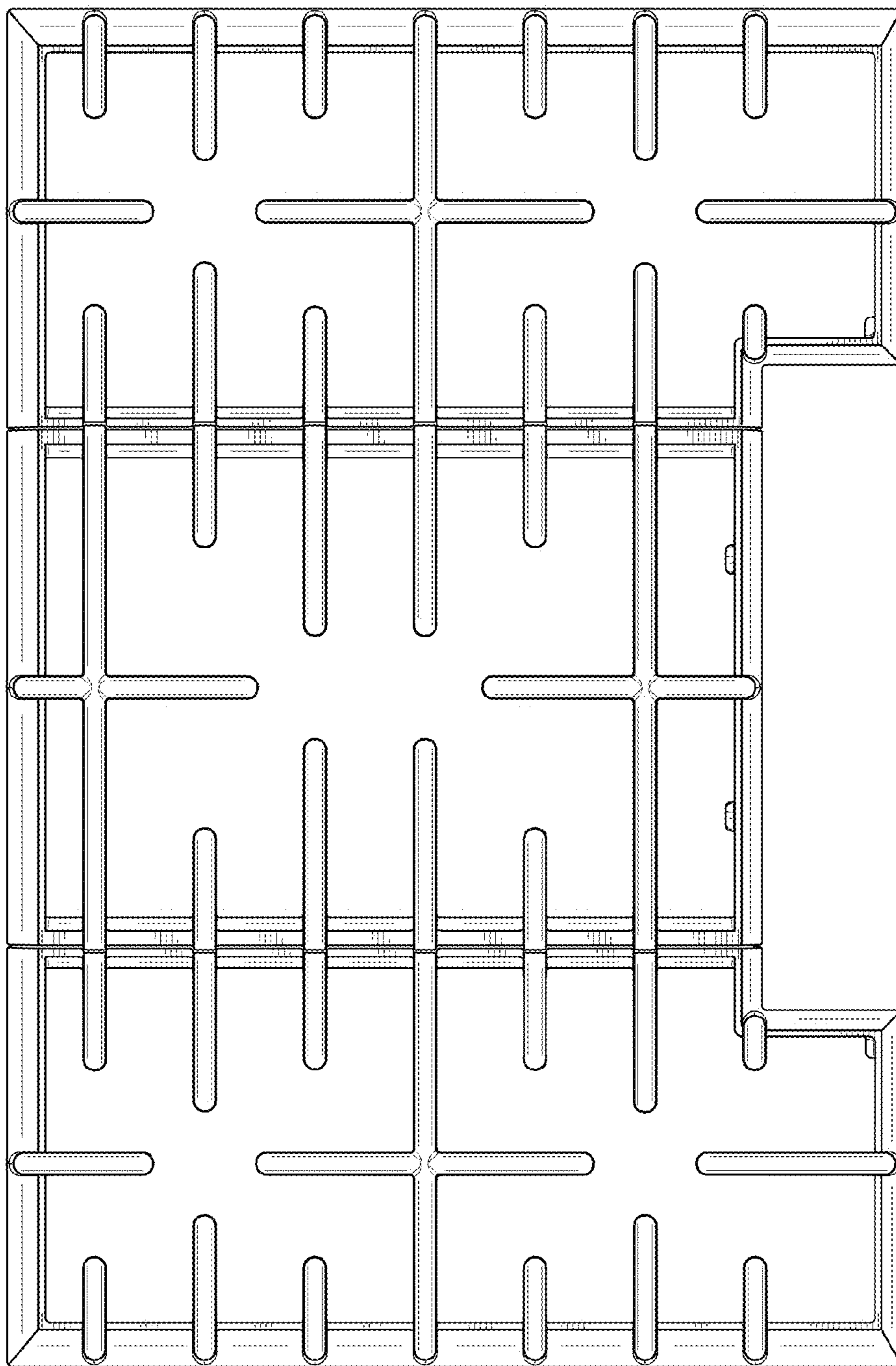


FIG. 2

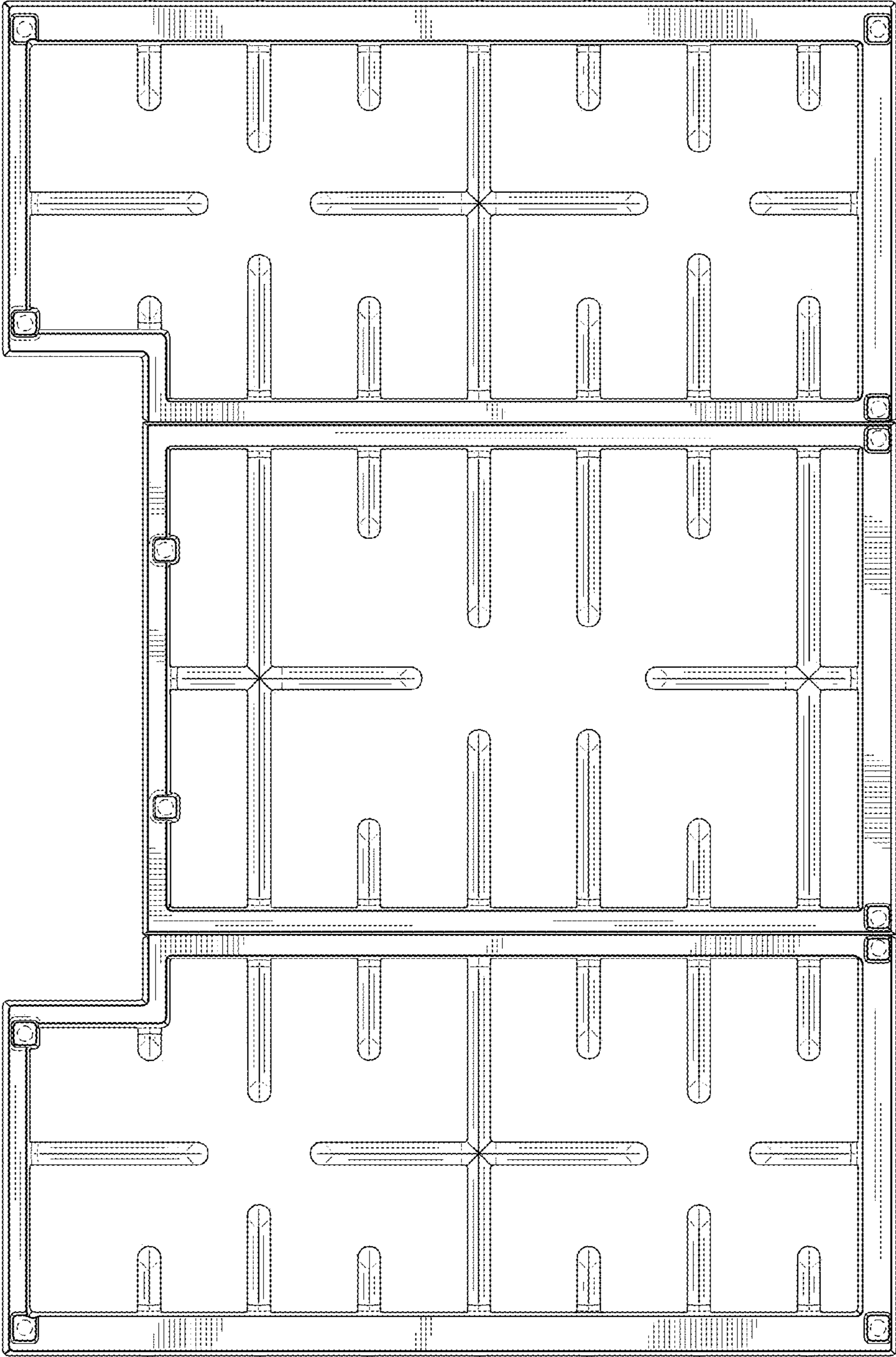


FIG. 3

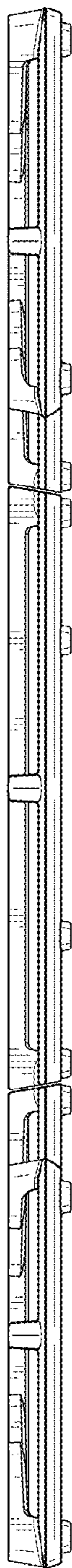


FIG. 4

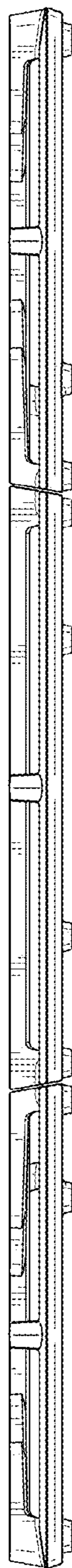


FIG. 5

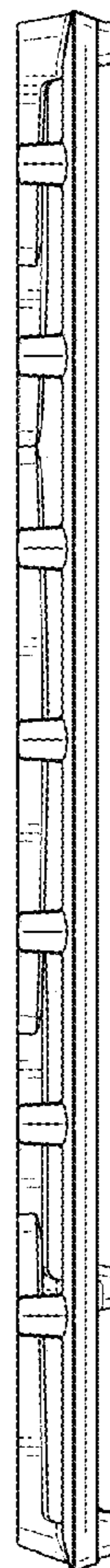


FIG. 6