



US00D702495S

(12) **United States Design Patent**
Chung

(10) **Patent No.:** **US D702,495 S**

(45) **Date of Patent:** **** Apr. 15, 2014**

(54) **GRILL SET**

(71) Applicant: **Kiosky Chung**, Taichung (TW)

(72) Inventor: **Kiosky Chung**, Taichung (TW)

(**) Term: **14 Years**

(21) Appl. No.: **29/449,589**

(22) Filed: **Mar. 15, 2013**

(51) **LOC (10) Cl.** **07-02**

(52) **U.S. Cl.**
USPC **D7/408**

(58) **Field of Classification Search**
USPC D7/332, 335, 337, 339-341, 346,
D7/354-361, 388, 390, 402, 408-409;
D23/346-347, 397; 99/385, 402, 403,
99/427, 449-450, 421 A, 421 H, 421 R;
126/211, 275 R; 220/491, 912
See application file for complete search history.

(56) **References Cited**

U.S. PATENT DOCUMENTS

D258,927 S *	4/1981	Lee	D7/332
D271,740 S *	12/1983	Borglum	D7/332
D274,686 S *	7/1984	Ambler	D7/337
D276,688 S *	12/1984	Lee	D7/332
D288,165 S *	2/1987	Thomas	D7/408
D327,602 S *	7/1992	Walker	D7/335
D356,005 S *	3/1995	Goble	D7/337

D396,379 S *	7/1998	Stoetzl	D7/335
D493,064 S *	7/2004	Caswell et al.	D7/408
D520,803 S *	5/2006	Lu	D7/335
D524,592 S *	7/2006	Brunner et al.	D7/332
D584,917 S *	1/2009	Mullen	D7/390
D592,443 S *	5/2009	Fraser	D7/335
D611,291 S *	3/2010	Chung	D7/337
D639,112 S *	6/2011	Johnston	D7/408
D650,226 S *	12/2011	Walker	D7/409

* cited by examiner

Primary Examiner — T. Chase Nelson

Assistant Examiner — Mark Cavanna

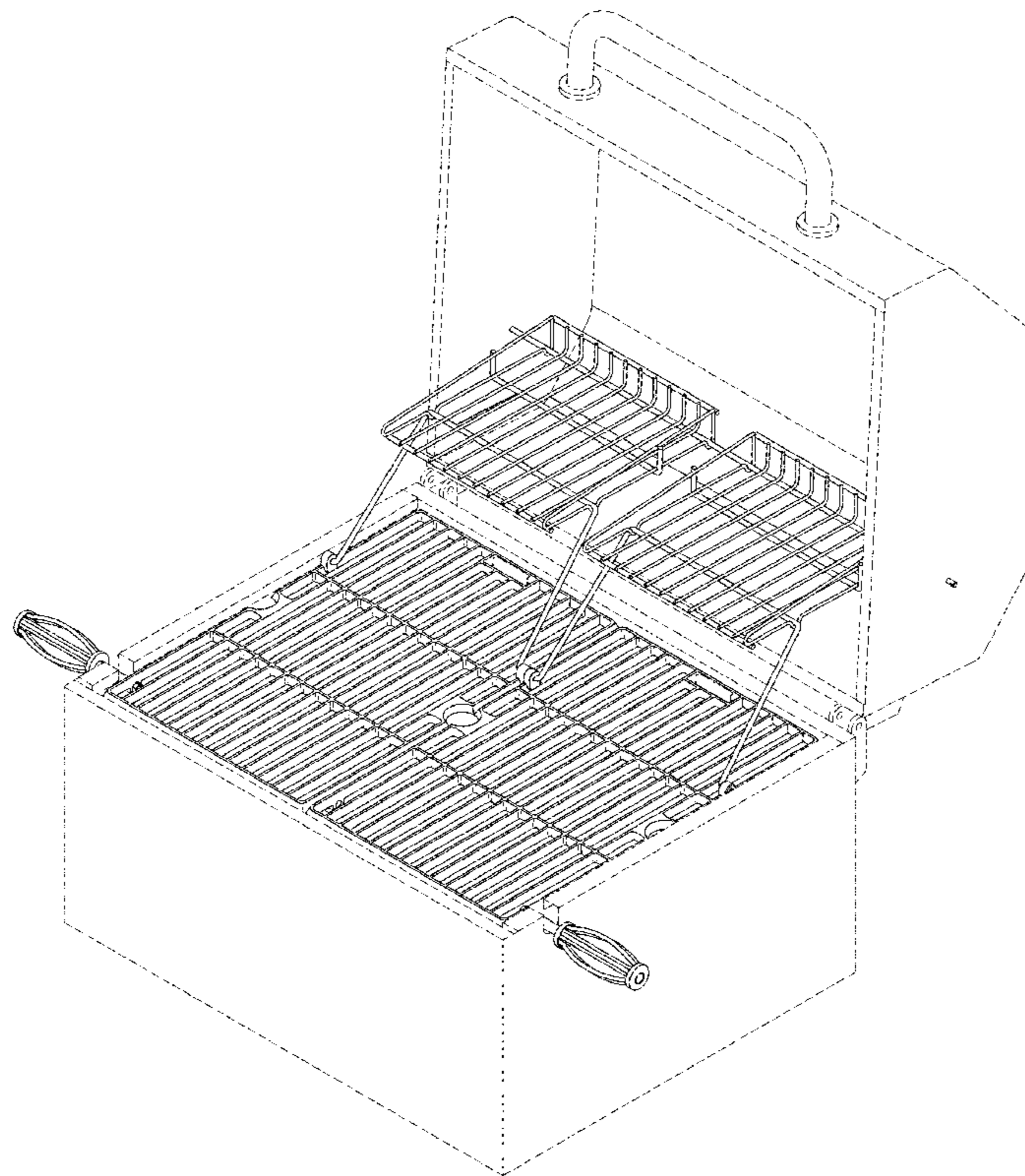
(57) **CLAIM**

I claim the ornamental design for a grill set, as shown and described.

DESCRIPTION

FIG. 1 is a perspective view of a grill set according to the preferred embodiment of the present invention, showing my design;
FIG. 2 is a front view of the grill set shown in FIG. 1;
FIG. 3 is a rear view of the grill set shown in FIG. 1;
FIG. 4 is a left side view of the grill set shown in FIG. 1;
FIG. 5 is a right side view of the grill set shown in FIG. 1;
FIG. 6 is a top view of the grill set shown in FIG. 1;
FIG. 7 is a bottom view of the grill set shown in FIG. 1; and,
FIG. 8 is a perspective view of a barbecue grill apparatus equipped with the grill set taken along a line shown in FIG. 1. The broken lines shown in FIG. 8 are for the purpose of illustrating unclaimed portions of the barbecue grill apparatus and form no part of the claimed design.

1 Claim, 8 Drawing Sheets



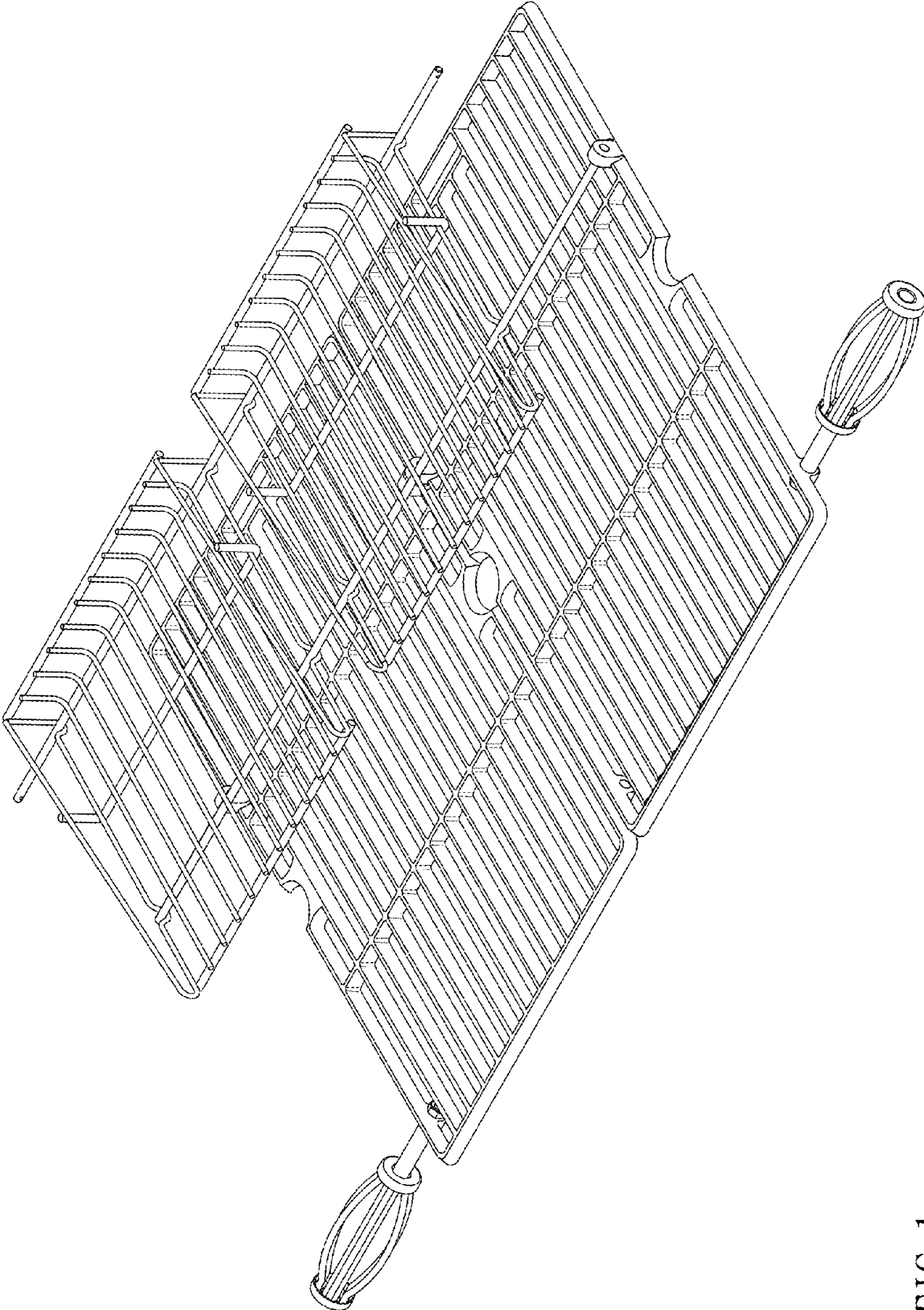


FIG. 1

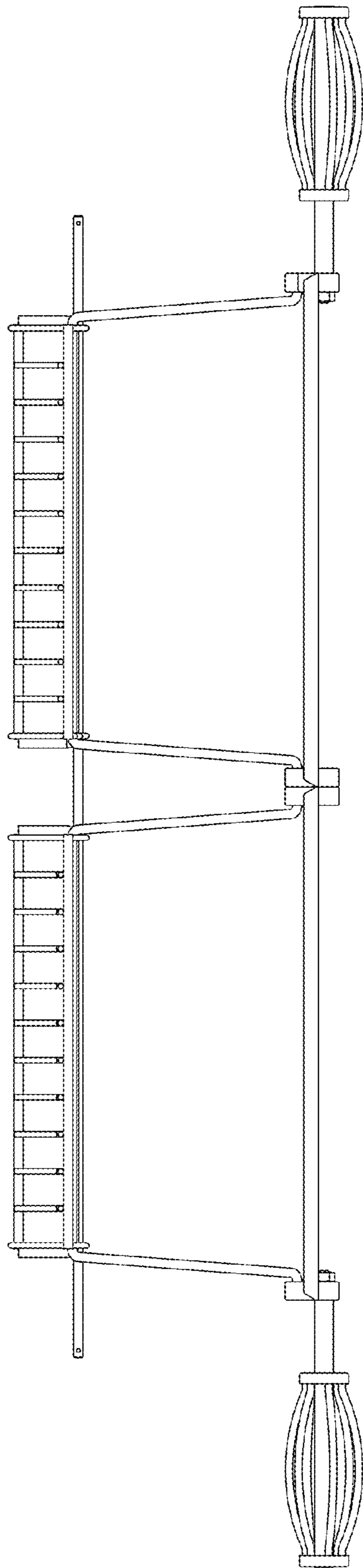


FIG. 2

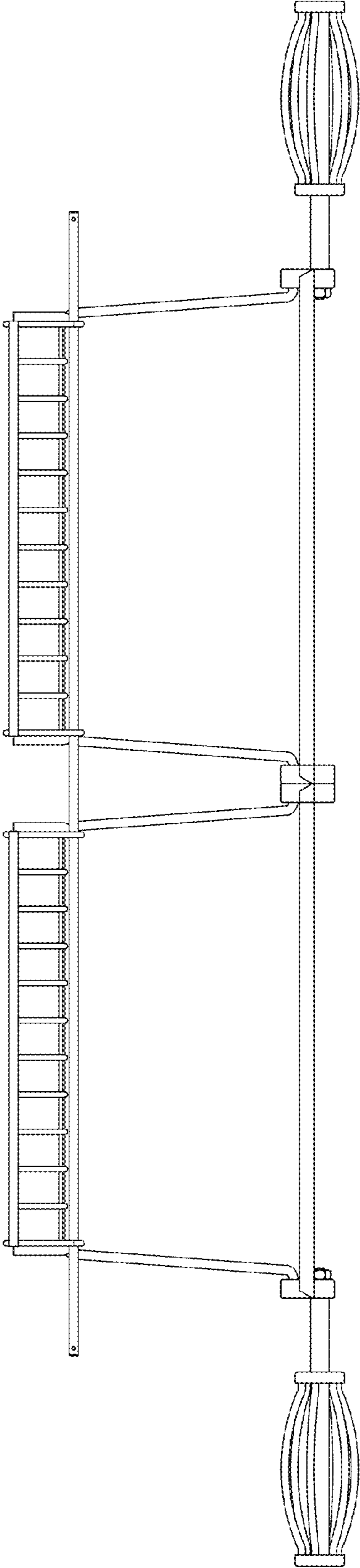


FIG. 3

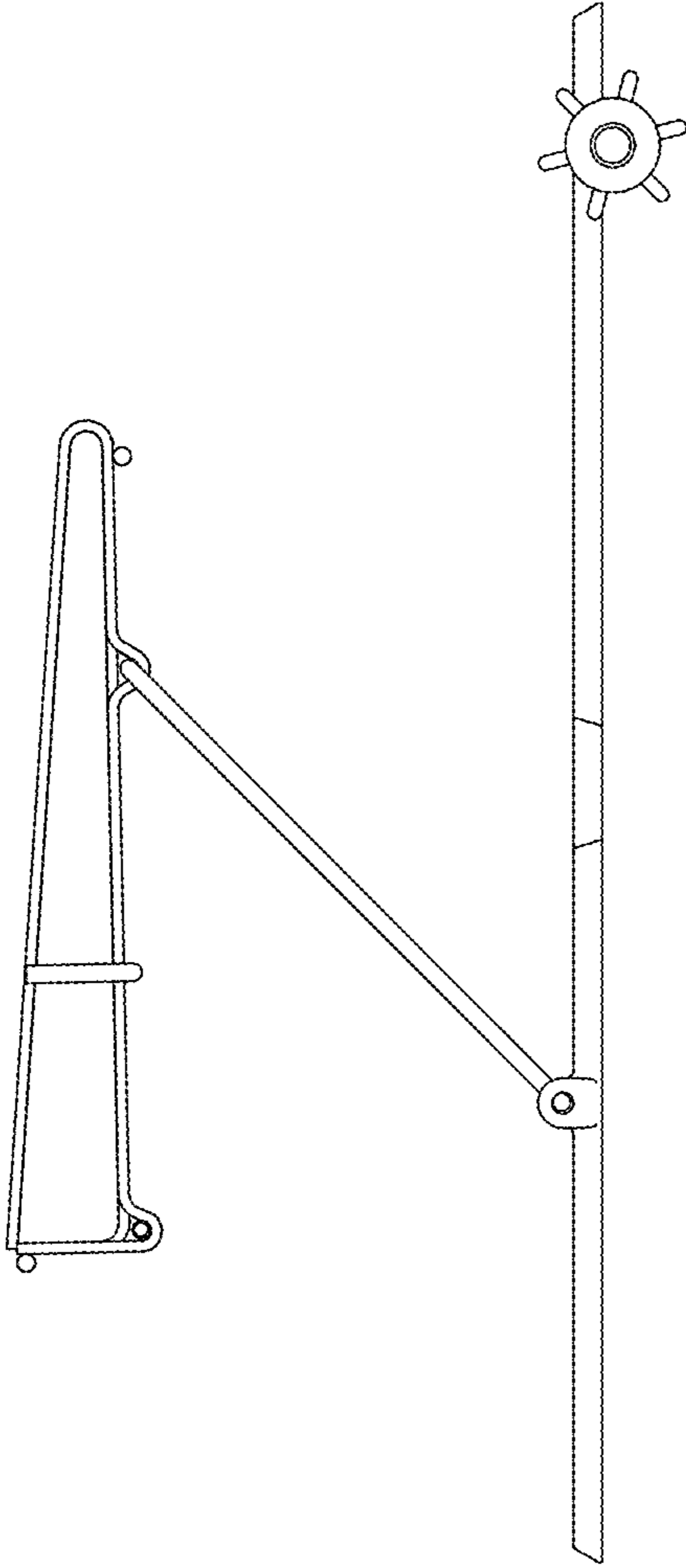


FIG. 4

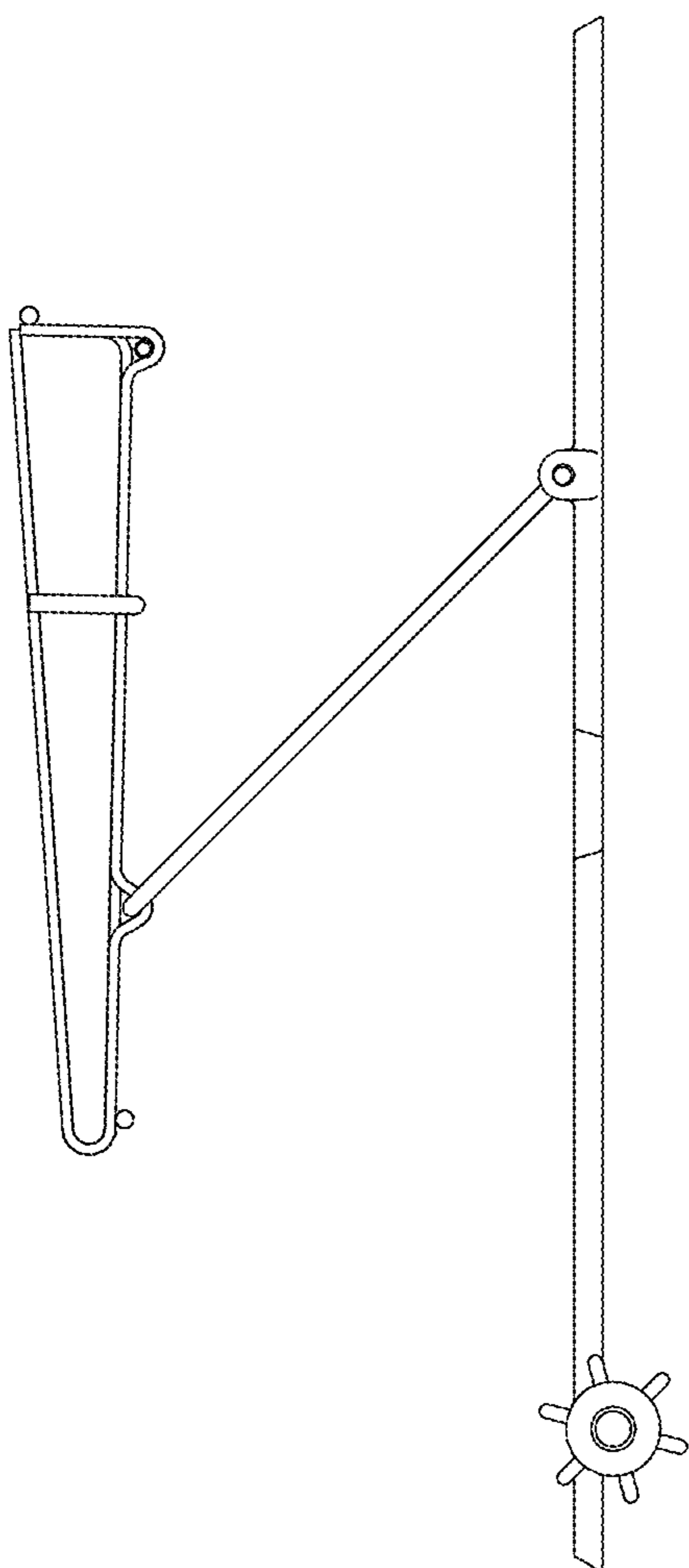


FIG. 5

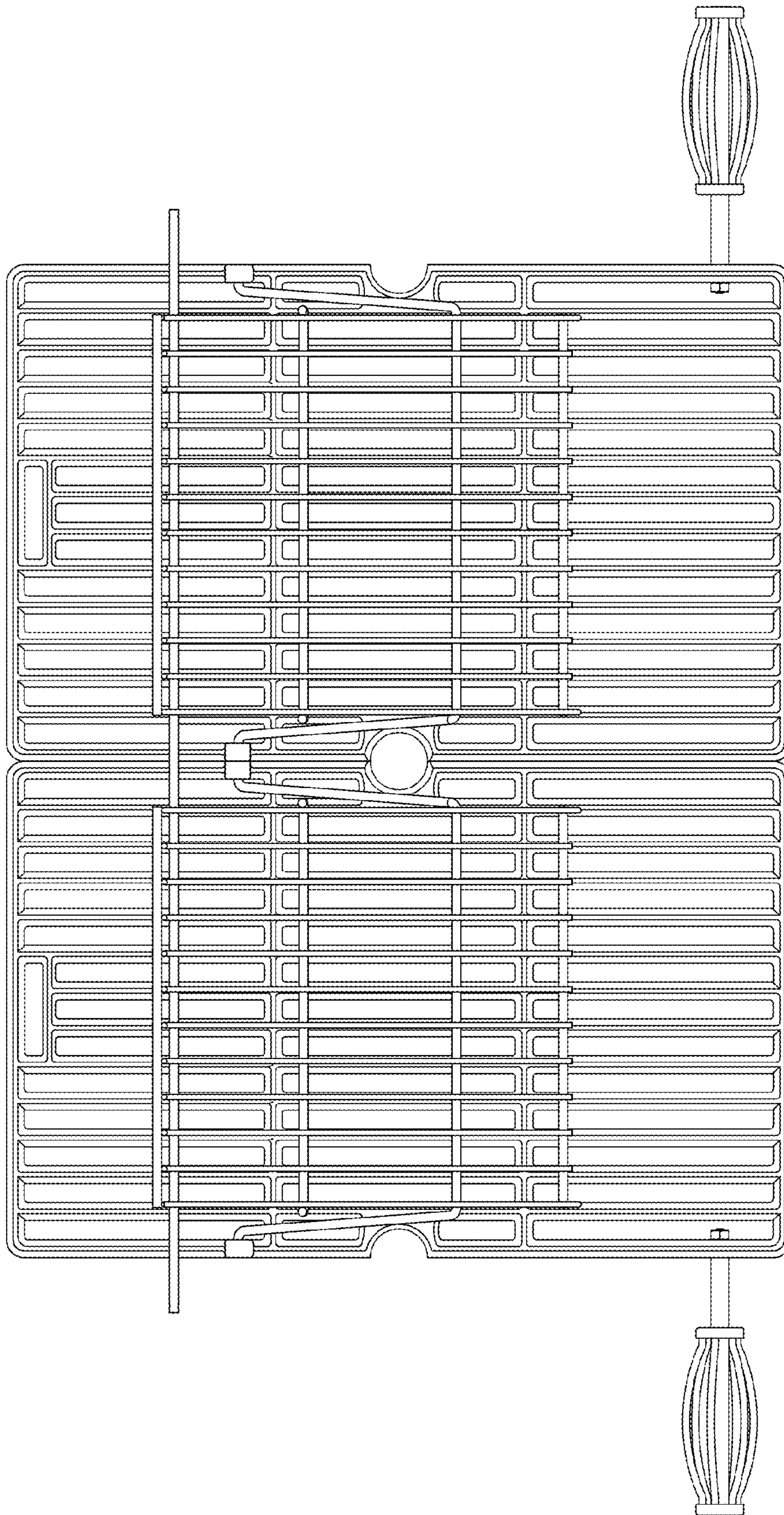


FIG. 6

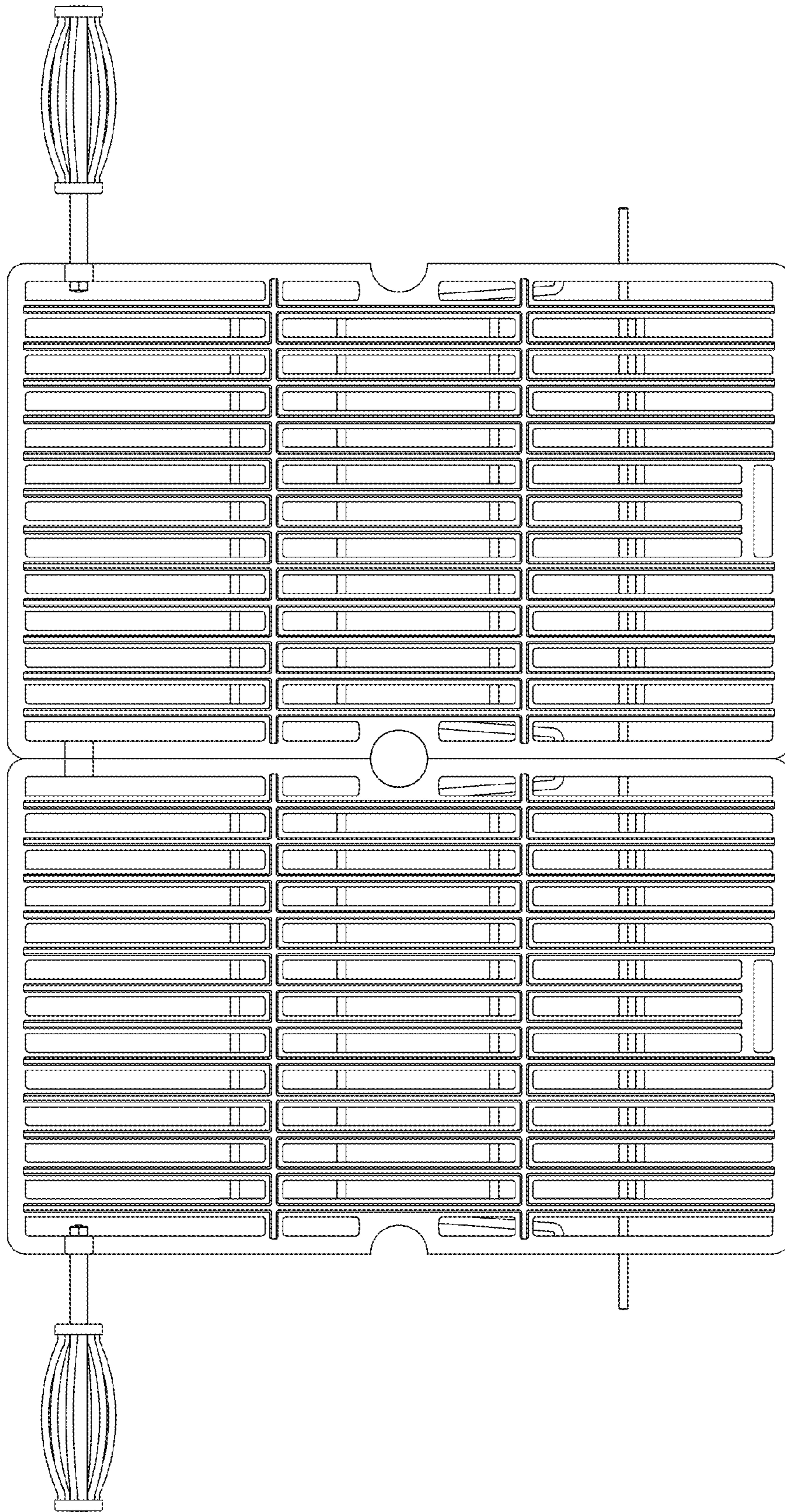


FIG. 7

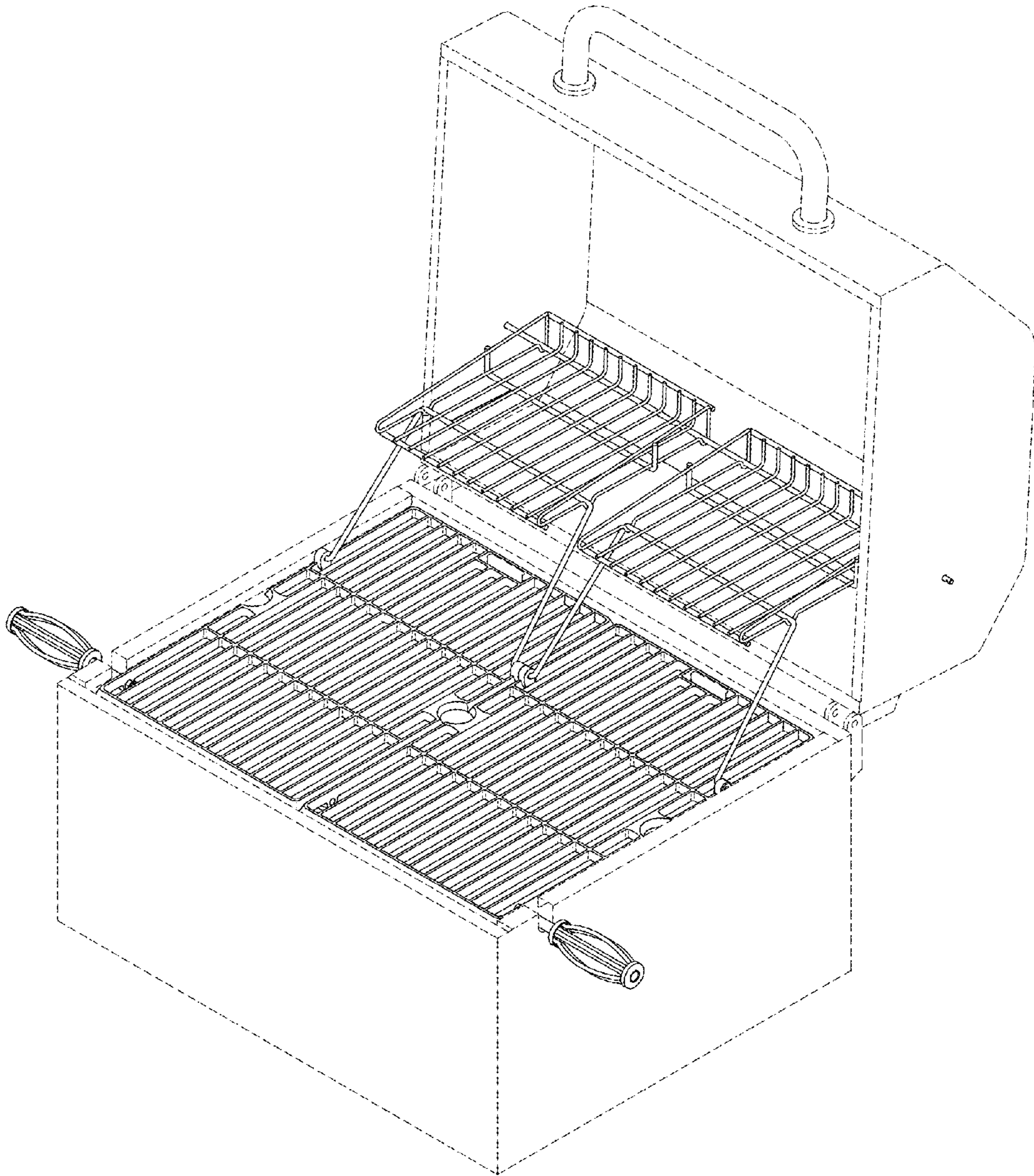


FIG. 8