



US00D702492S

(12) **United States Design Patent**  
**Marina et al.**

(10) **Patent No.:** **US D702,492 S**  
(45) **Date of Patent:** **\*\* Apr. 15, 2014**

(54) **BOTTLE**  
(71) Applicant: **PepsiCo, Inc.**, Purchase, NY (US)  
(72) Inventors: **Carlos Hernan Marina**, Deerfield Beach, FL (US); **Tucker Fort**, Brooklyn, NY (US); **Paul Katz**, New York, NY (US); **Jacob Pamborg**, New York, NY (US); **Christopher R. Xydis**, New York, NY (US)

(73) Assignee: **PepsiCo, Inc.**, Purchase, NY (US)

(\*\*) Term: **14 Years**

(21) Appl. No.: **29/460,547**

(22) Filed: **Jul. 11, 2013**

(51) **LOC (10) Cl.** ..... **07-01**

(52) **U.S. Cl.**  
USPC ..... **D7/396.6; D7/396.2; D7/397; D9/437**

(58) **Field of Classification Search**  
USPC ..... **D7/300.1, 510, 511, 532, 523, 531, 513, D7/396.6, 396.2, 397, 624.2, 507; D9/529, D9/538, 545, 549, 503, 500, 520, 501, 516, D9/437, 745, 739; 215/373, DIG. 7; 220/739, 737; 206/459.5**

See application file for complete search history.

(56) **References Cited**

**U.S. PATENT DOCUMENTS**

D232,915 S \* 9/1974 Becker ..... D9/500  
D278,033 S \* 3/1985 Borkan et al. .... D9/437  
D316,035 S \* 4/1991 Pepitone ..... D9/745  
D410,364 S \* 6/1999 Ramirez et al. .... D7/507  
D414,238 S \* 9/1999 Kupperman ..... D22/146  
6,105,799 A \* 8/2000 Takagawa ..... 215/12.1  
6,409,035 B1 \* 6/2002 Darr et al. .... 215/373  
D567,021 S \* 4/2008 Bach et al. .... D7/400  
D569,685 S \* 5/2008 Liu ..... D7/398

D581,278 S \* 11/2008 Shibata et al. .... D9/529  
D588,870 S \* 3/2009 Rasmussen ..... D7/398  
D626,415 S \* 11/2010 Kolano ..... D9/503  
D647,364 S \* 10/2011 Audette et al. .... D7/412  
D650,677 S \* 12/2011 Wurster et al. .... D9/516  
D661,549 S \* 6/2012 Kemper et al. .... D7/505  
D668,150 S \* 10/2012 Crapser et al. .... D9/447  
D676,717 S \* 2/2013 Ceder ..... D7/624.2  
8,365,913 B2 \* 2/2013 Ceder ..... 206/446  
8,365,941 B2 \* 2/2013 Mayer ..... 220/259.3  
D688,531 S \* 8/2013 Ceder ..... D7/624.2  
8,579,149 B2 \* 11/2013 Henke et al. .... 220/737  
8,584,879 B2 \* 11/2013 Melrose et al. .... 215/373  
2004/0124192 A1 \* 7/2004 Teller ..... 220/23.9  
2007/0084821 A1 \* 4/2007 Bysick et al. .... 215/373  
2010/0055252 A1 3/2010 Marina et al.  
2011/0166910 A1 7/2011 Marina et al.  
2012/0183657 A1 7/2012 Marina et al.

**FOREIGN PATENT DOCUMENTS**

WO 2013/103589 7/2013

\* cited by examiner

*Primary Examiner* — Marianne Pandozzi

(74) *Attorney, Agent, or Firm* — Banner & Witcoff, Ltd.

(57) **CLAIM**

The ornamental design for a bottle, as shown and described.

**DESCRIPTION**

FIG. 1 is a bottom perspective view of a bottle showing our new design;

FIG. 2 is an enlarged bottom view thereof with unclaimed environment omitted; and,

FIG. 3 is an enlarged bottom perspective view thereof with unclaimed environment omitted.

The broken lines showing the remainder of the bottle are for environmental purposes only and form no part of the claimed design.

**1 Claim, 3 Drawing Sheets**

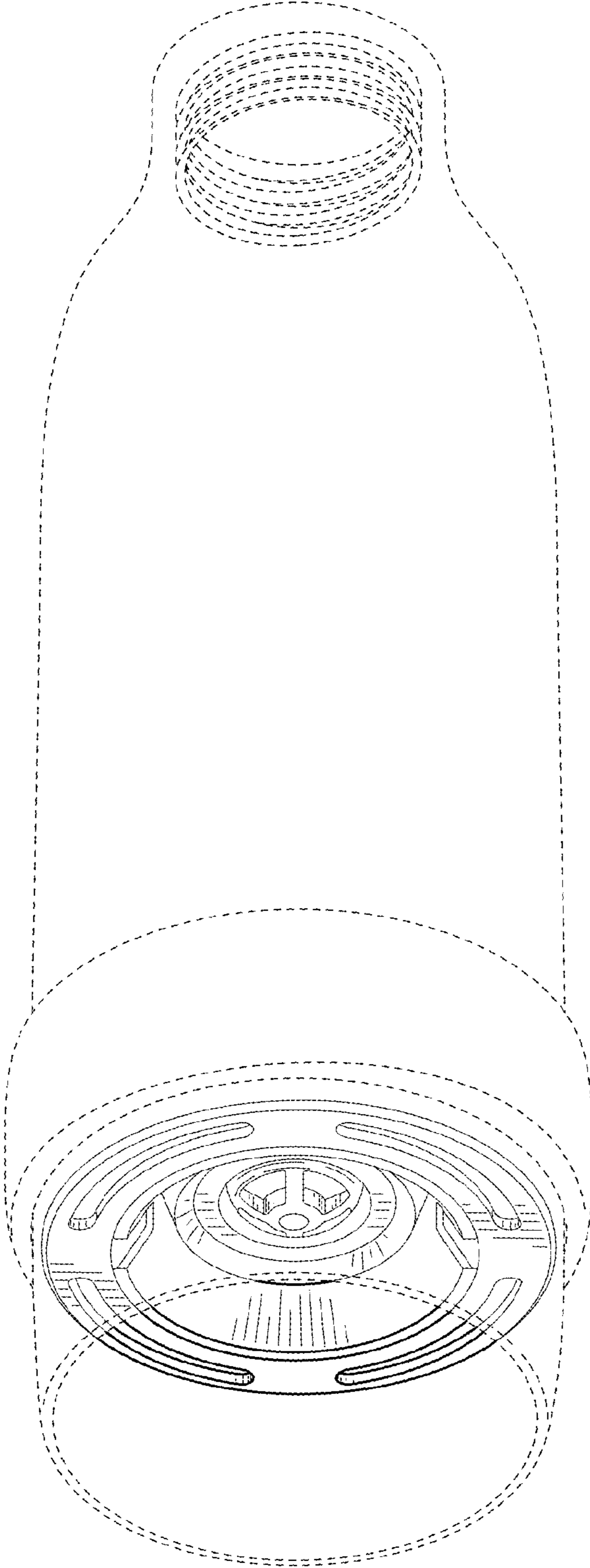


FIG. 1

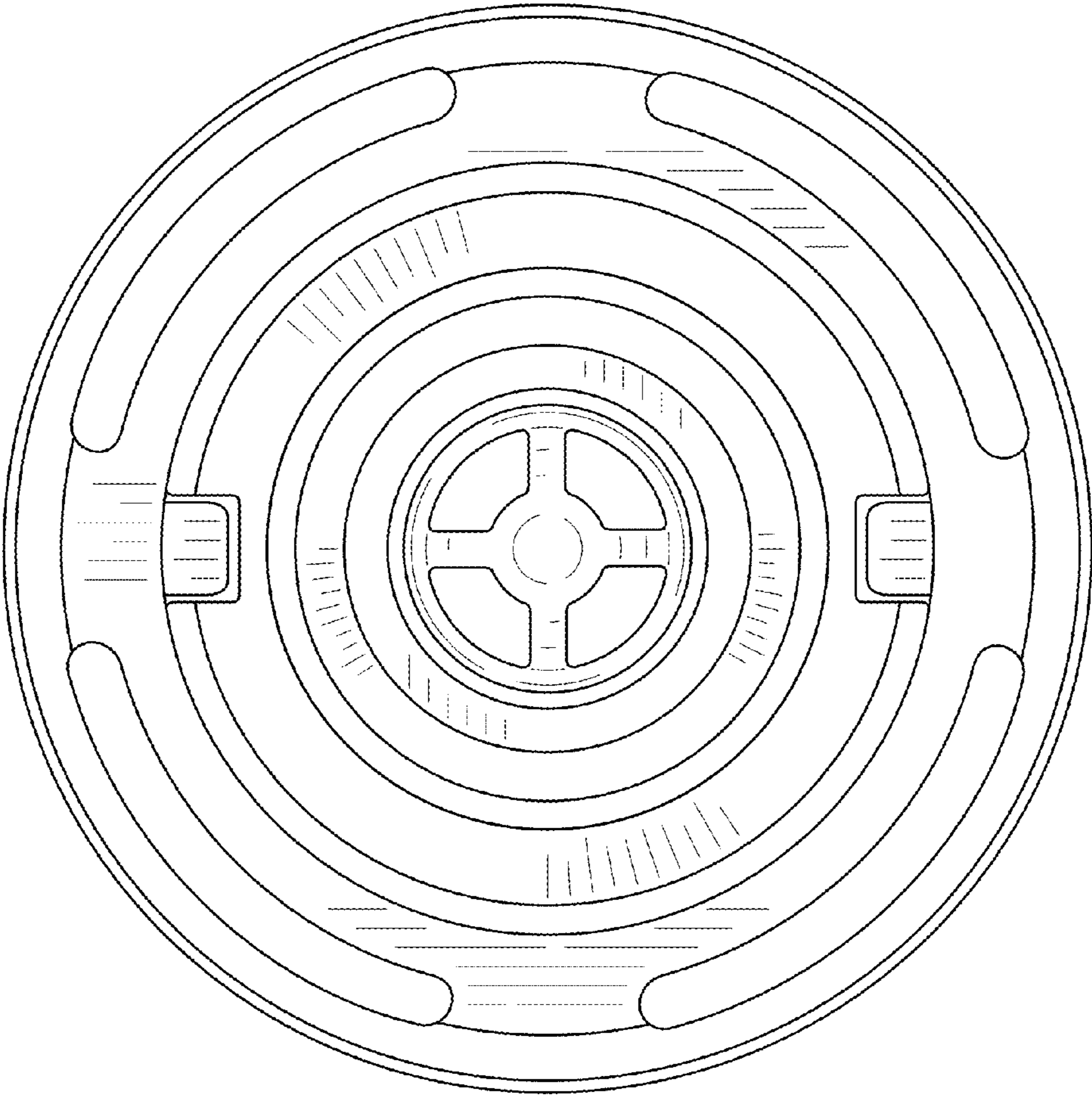


FIG. 2

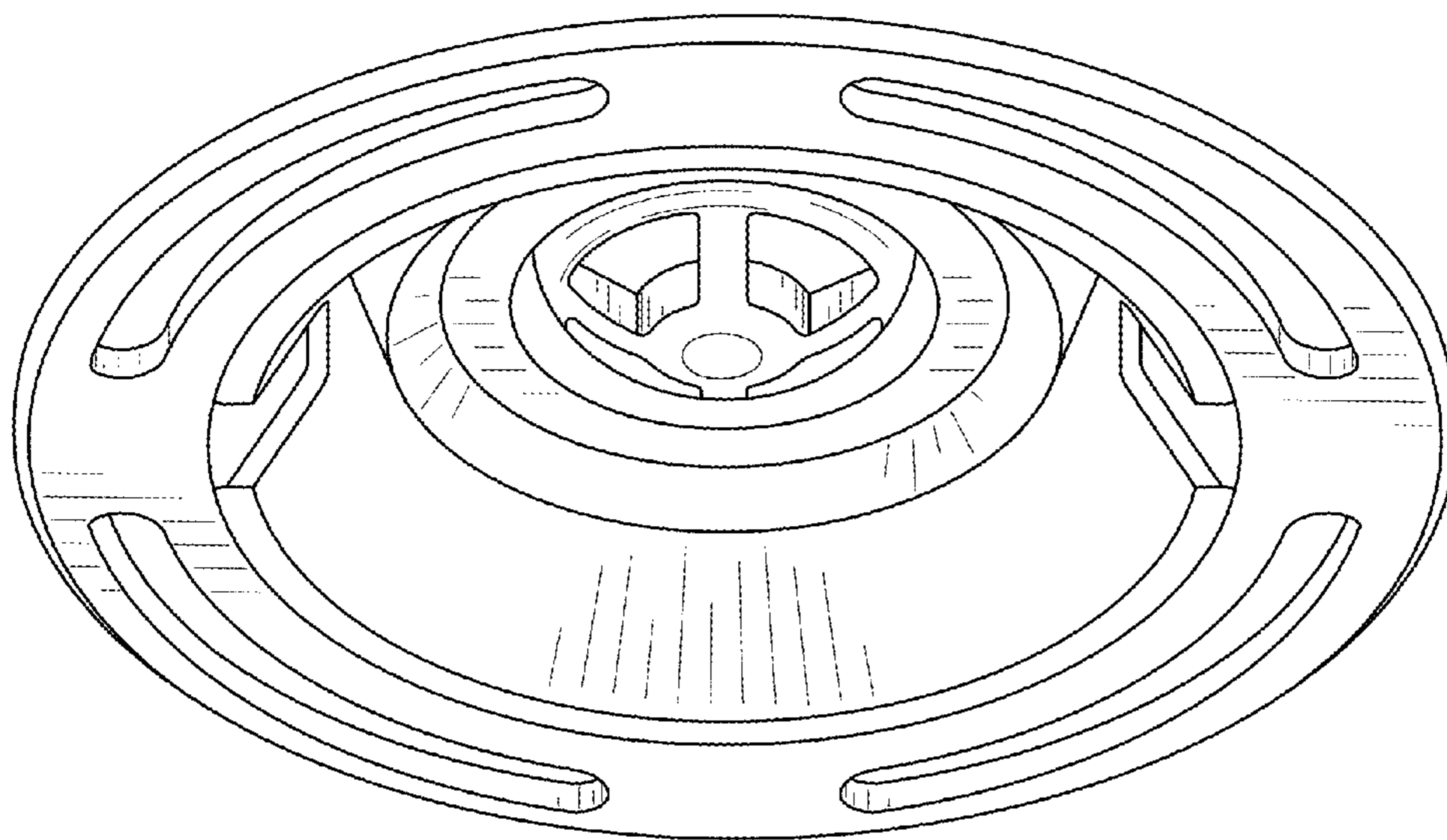


FIG. 3