



US00D702487S

(12) **United States Design Patent**
Gillette et al.

(10) **Patent No.:** **US D702,487 S**
(45) **Date of Patent:** **** Apr. 15, 2014**

(54) **GLASS BOWL ASSEMBLY FOR A BOWL
LIFT MIXER**

(71) Applicant: **Whirlpool Corporation**, Benton Harbor,
MI (US)

(72) Inventors: **Thomas A. Gillette**, Stevensville, MI
(US); **Mitchell L. Robertson**, Elkhart,
IN (US); **Kaitlyn Benoit**, Saint Joseph,
MI (US)

(73) Assignee: **Whirlpool Corporation**, Benton Harbor,
MI (US)

(**) Term: **14 Years**

(21) Appl. No.: **29/447,348**

(22) Filed: **Mar. 1, 2013**

(51) **LOC (10) Cl.** **31-00**

(52) **U.S. Cl.**

USPC **D7/379; D7/376; D7/384**

(58) **Field of Classification Search**

USPC D7/301–313, 316–326, 354–357, 368,
D7/372–386, 391–398, 402, 412–415, 503,
D7/515, 543, 584–587, 665–666, 679,
D7/691–693; D9/424; 99/280, 326, 348,
99/492, 508–512; 241/30–37.5, 82.1, 92,
241/98, 101.01–101.2, 166–169.1, 172,
241/272, 285.1–285.3, 291, 292.1;
366/64–67, 98, 129, 142–144, 169.1,
366/192–211, 241–254, 262, 279–292,
366/325.8, 325.92, 341–347; 416/75–77,
416/70 R, 163

See application file for complete search history.

(56) **References Cited**

U.S. PATENT DOCUMENTS

2,658,642 A 11/1953 Casella
2,677,947 A 5/1954 Guilder

2,791,405 A 5/1957 Liston
3,292,912 A 12/1966 Stubler
4,042,221 A 8/1977 Myers et al.
D283,193 S * 4/1986 Daenen D7/317
5,232,188 A 8/1993 Troncone
5,299,768 A 4/1994 Berry
D383,646 S * 9/1997 Jeppesen et al. D7/584
D387,610 S * 12/1997 Hippen et al. D7/379
5,752,618 A 5/1998 Trebitz et al.
5,906,432 A 5/1999 Wade et al.
D442,437 S * 5/2001 Wright D7/543
6,562,301 B1 5/2003 Dean et al.
D480,604 S * 10/2003 Lillelund et al. D7/543
6,673,319 B2 1/2004 Dean et al.
D499,604 S * 12/2004 Hooper et al. D7/379

(Continued)

Primary Examiner — Ricky Pham

(57) **CLAIM**

We claim the ornamental design for a glass bowl assembly for a bowl lift mixer, as shown and described.

DESCRIPTION

FIG. 1 is a top perspective view of the glass bowl assembly for a bowl lift mixer;

FIG. 2 is another top perspective view of the glass bowl assembly for a bowl lift mixer of FIG. 1;

FIG. 3 is a first side elevational view of the glass bowl assembly for a bowl lift mixer, of FIG. 1;

FIG. 4 is a second side elevational view of the glass bowl assembly for a bowl lift mixer of FIG. 1;

FIG. 5 is a third side elevational view of the glass bowl assembly for a bowl lift mixer of FIG. 1;

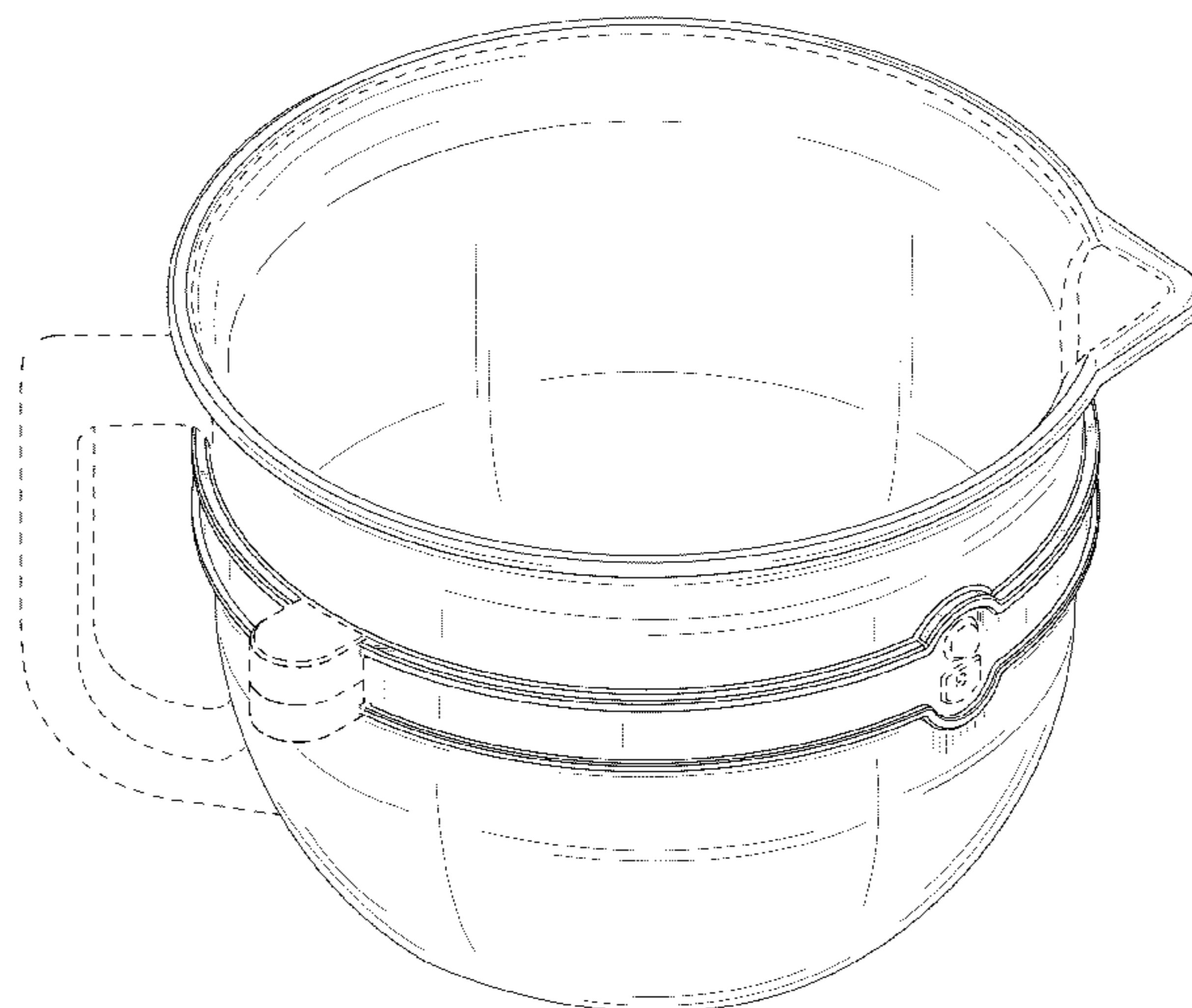
FIG. 6 is a fourth side elevational view of the glass bowl assembly for a bowl lift mixer of FIG. 1;

FIG. 7 is a top plan view of the glass bowl assembly for a bowl lift mixer of FIG. 1; and,

FIG. 8 is a bottom plan view of the glass bowl assembly for a bowl lift mixer of FIG. 1.

The broken lines shown in the drawings are for illustrative purposes only and form no part of the claimed design.

1 Claim, 6 Drawing Sheets



(56)

References Cited

U.S. PATENT DOCUMENTS

D509,106 S *	9/2005	de Groot et al.	D7/587	D626,790 S *	11/2010	Gibson et al.	D7/584
7,018,090 B2	3/2006	Moore		D628,443 S *	12/2010	McTaggart	D7/587
D522,313 S *	6/2006	Oyler et al.	D7/543	D629,264 S *	12/2010	Curtin	D7/665
D524,589 S *	7/2006	Sellers et al.	D7/316	D633,334 S *	3/2011	Kaiser et al.	D7/379
D530,146 S *	10/2006	Ball et al.	D7/379	D646,925 S *	10/2011	Okajima et al.	D7/402
D560,434 S *	1/2008	Feil	D7/413	D652,258 S *	1/2012	Lee et al.	D7/543
D565,356 S *	4/2008	Mellen et al.	D7/586	D652,290 S *	1/2012	Lonergan et al.	D9/424
D565,357 S *	4/2008	Chan	D7/586	8,251,567 B2	8/2012	Brunswick et al.	
7,384,187 B2	6/2008	Blackburn et al.		D668,915 S *	10/2012	Drees	D7/586
7,690,835 B2 *	4/2010	Schnipke et al.	366/207	D682,619 S *	5/2013	Lee et al.	D7/543
				D689,730 S *	9/2013	Goto et al.	D7/354
				2005/0141340 A1 *	6/2005	Donthnier et al.	366/207
				2009/0109792 A1 *	4/2009	Ciancimino et al.	366/142

* cited by examiner

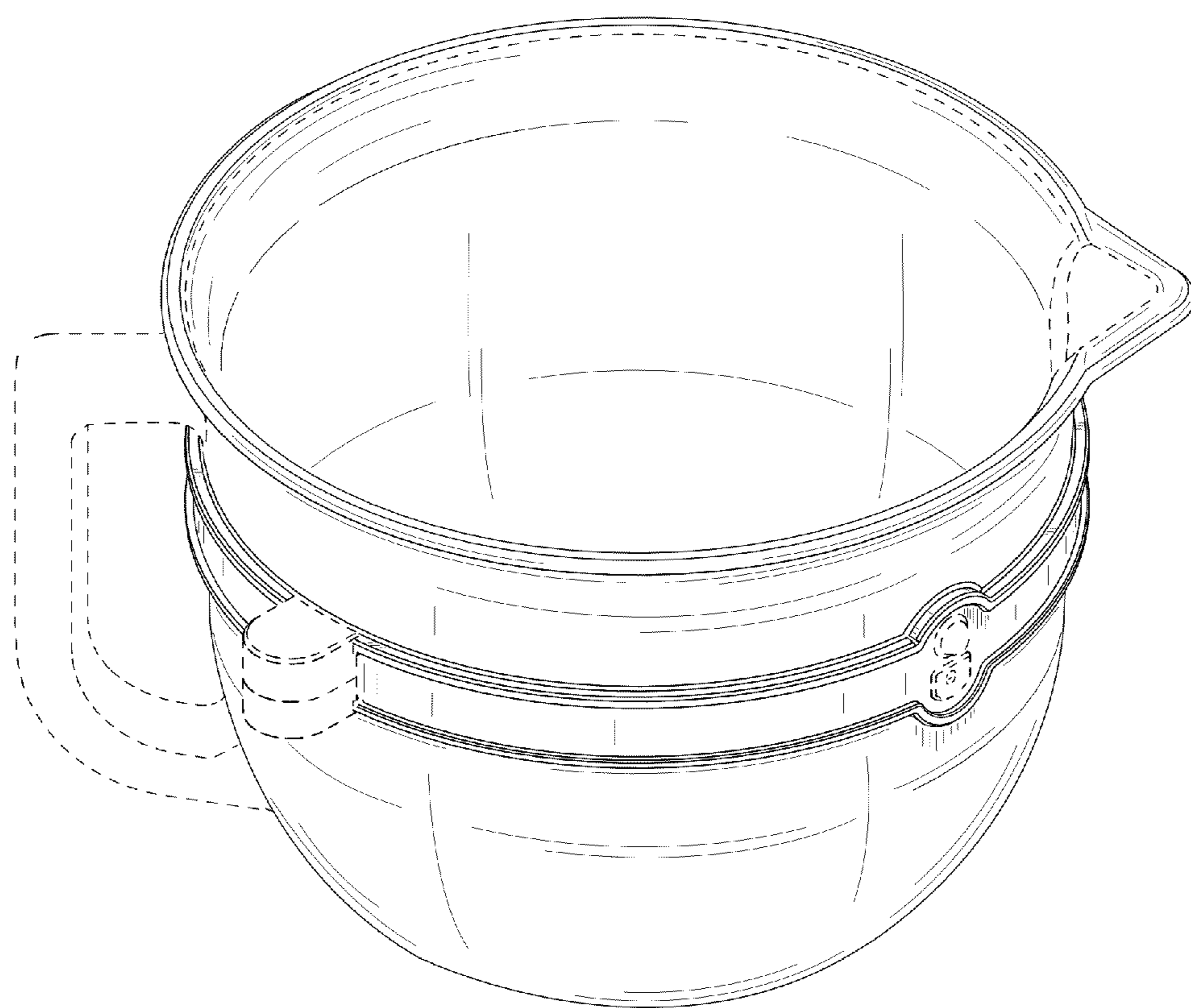


FIG. 1

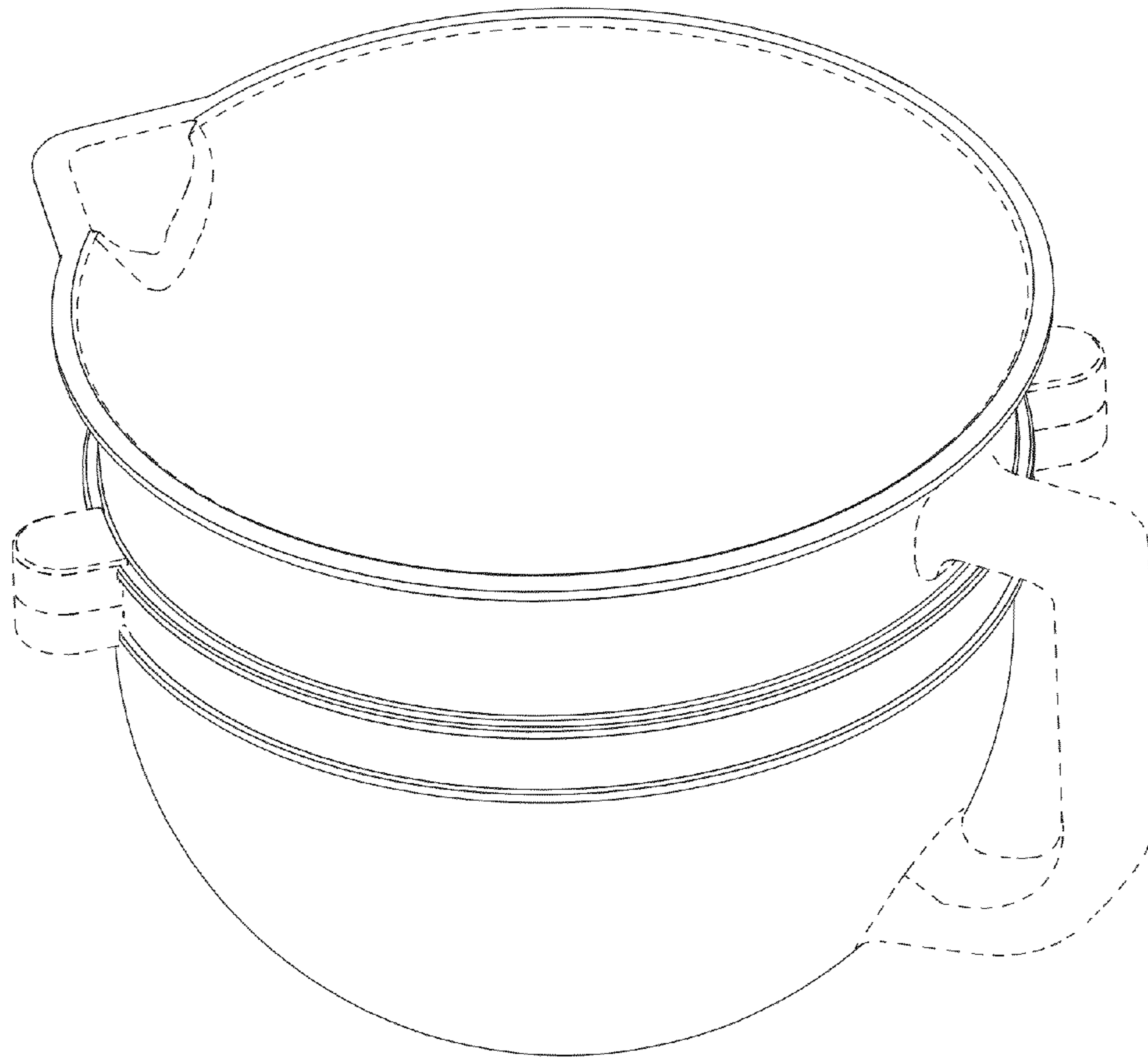


FIG. 2

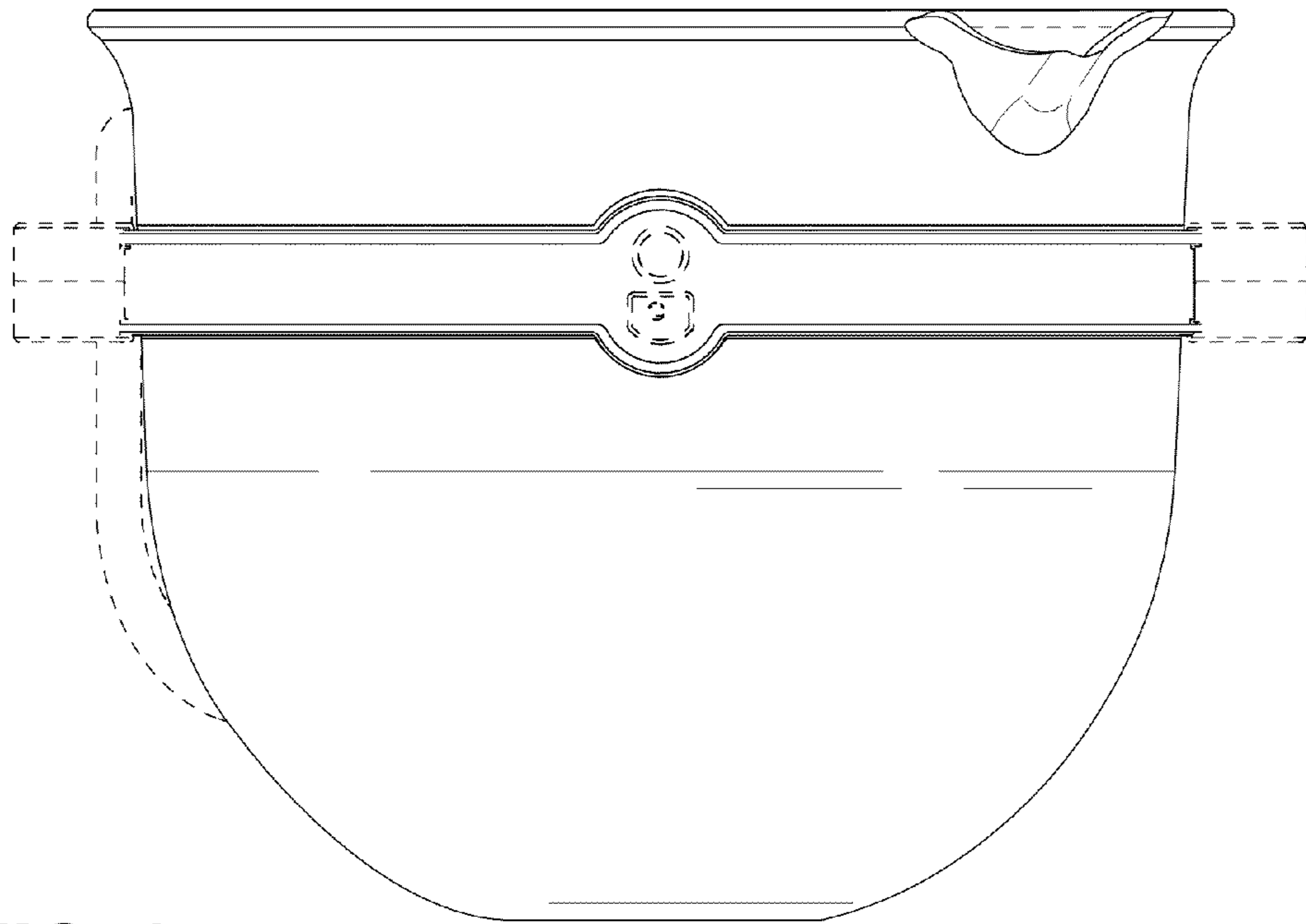


FIG. 3

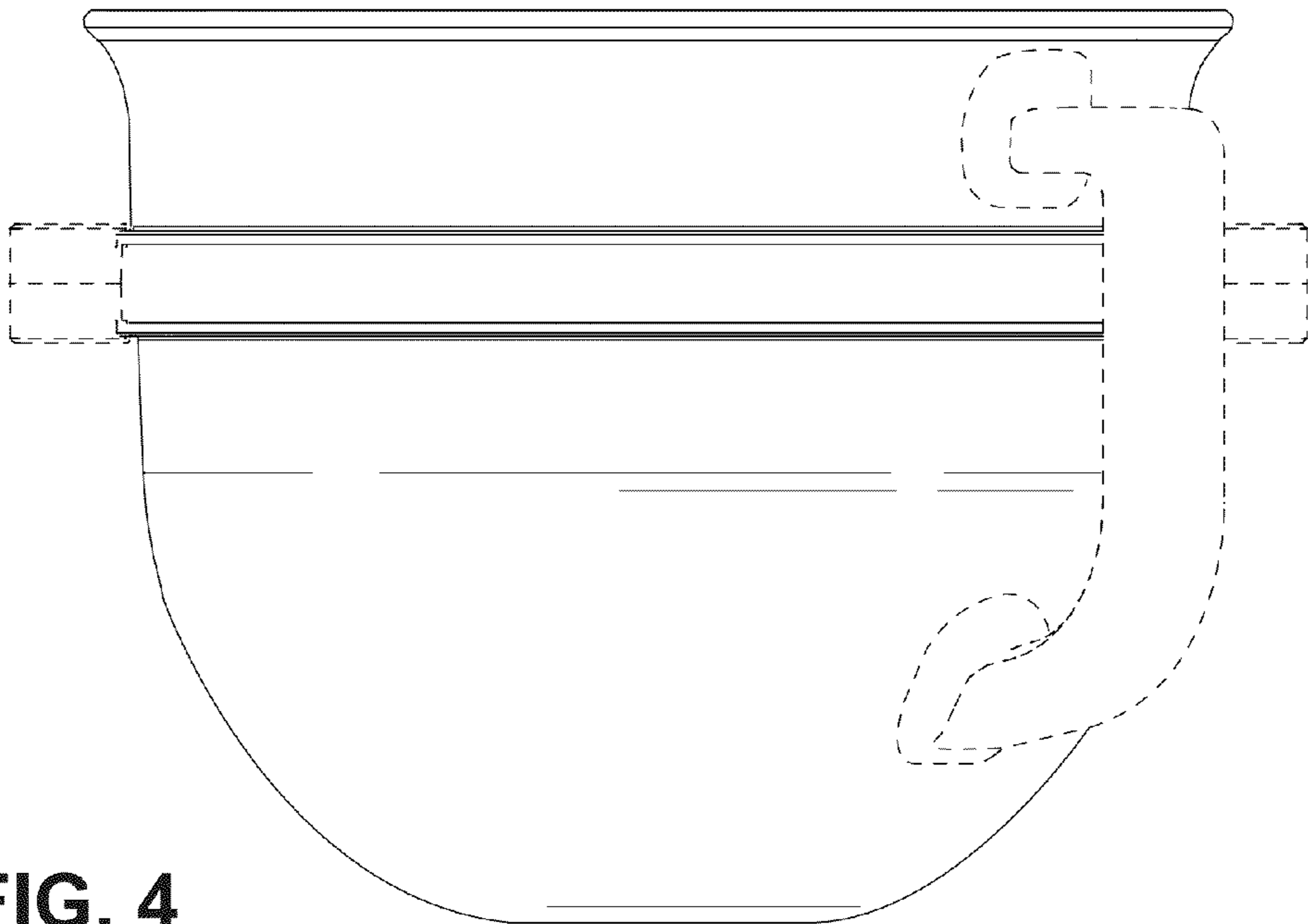


FIG. 4

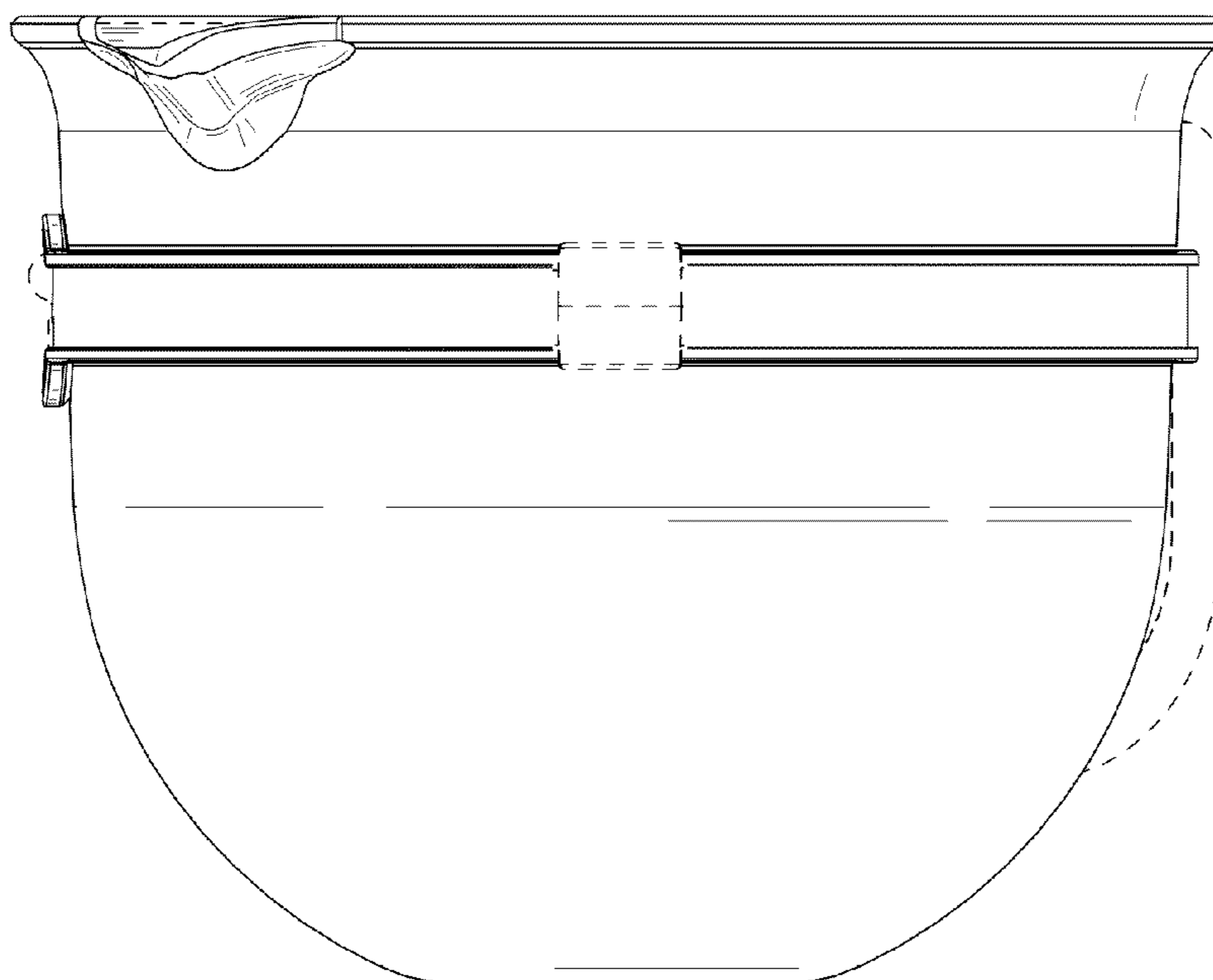


FIG. 5

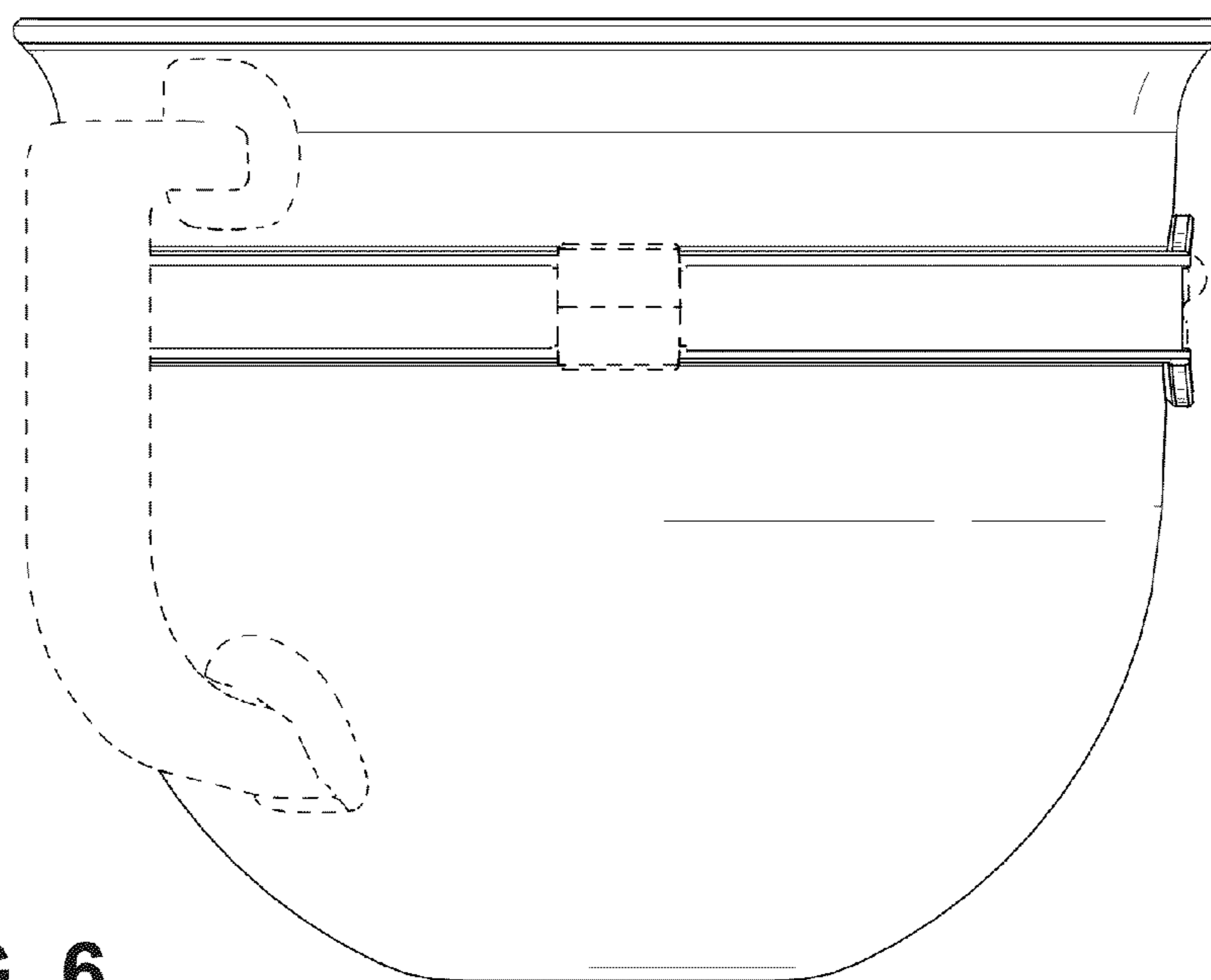


FIG. 6

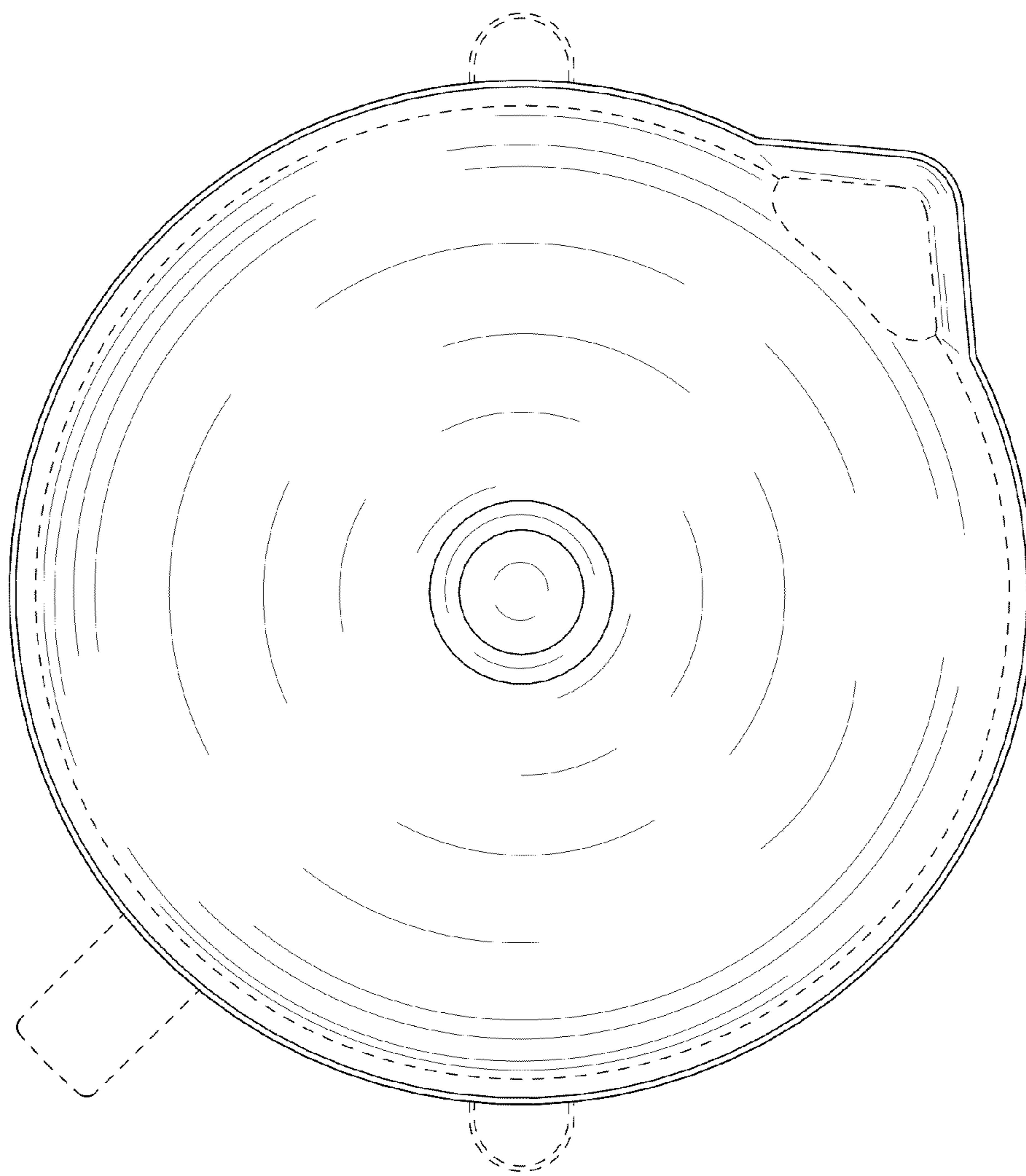


FIG. 7

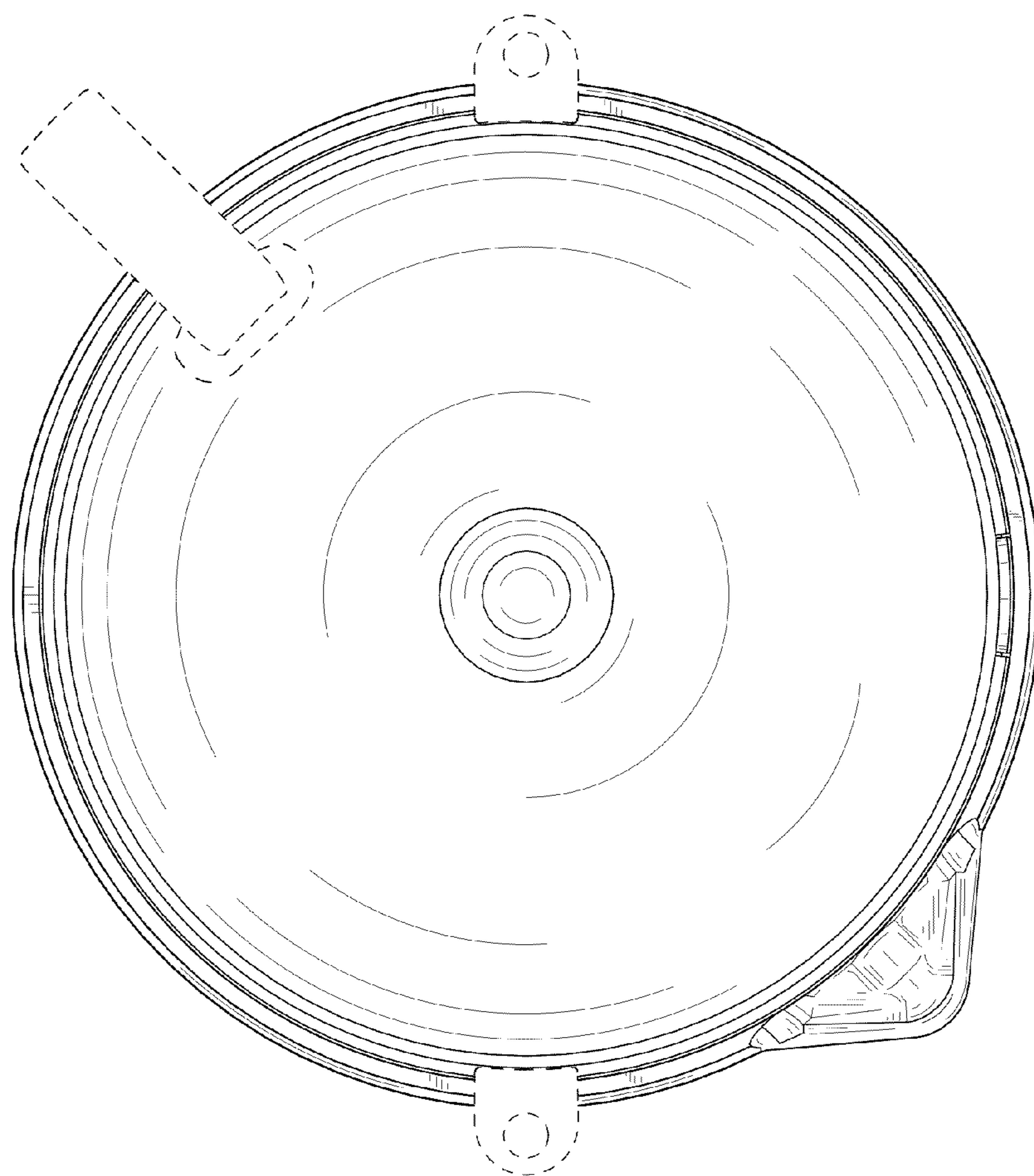


FIG. 8