



US00D702486S

(12) **United States Design Patent**  
**Bowden et al.**

(10) **Patent No.:** **US D702,486 S**

(45) **Date of Patent:** **\*\* Apr. 15, 2014**

(54) **GRILL PAN**

(71) Applicants: **Marilyn Bowden**, Chicago, IL (US);  
**Noah Wangerin**, Glenview, IL (US)

(72) Inventors: **Marilyn Bowden**, Chicago, IL (US);  
**Noah Wangerin**, Glenview, IL (US)

(73) Assignee: **Weber-Stephen Products, LLC**,  
Palatine, IL (US)

(\*\*) Term: **14 Years**

(21) Appl. No.: **29/454,244**

(22) Filed: **May 8, 2013**

(51) **LOC (10) Cl.** ..... **07-02**

(52) **U.S. Cl.**  
USPC ..... **D7/360; D7/354**

(58) **Field of Classification Search**  
USPC ..... D7/323, 329–331, 337, 339, 346–347,  
D7/350.1–350.4, 352–367, 387–388, 391,  
D7/392.1, 393, 395, 402, 407–410, 500,  
D7/505, 538–545, 552.1, 552.2, 553.2,  
D7/554.3, 555, 566, 584–587, 602, 637,  
D7/672–674, 698, 701; 99/324–325,  
99/331–332, 337–349, 358, 369–376, 380,  
99/389, 400–418, 422–426, 441–446,  
99/483; 126/9 B, 37 R, 261, 376.1, 378.1;  
206/315.9, 445, 499, 501–505,  
206/507–508, 518; 219/386, 400, 405,  
219/429–442, 450.1, 452.13, 460.1,  
219/620–624, 725, 730–735;  
220/4.21–4.24, 23.8, 315,  
220/573.1–573.5, 626, 629, 675, 743, 756,  
220/769, 912; 426/132, 438, 441, 549

See application file for complete search history.

(56) **References Cited**

U.S. PATENT DOCUMENTS

|                |         |                    |         |
|----------------|---------|--------------------|---------|
| D181,246 S *   | 10/1957 | Boldt .....        | D7/361  |
| 2,872,561 A *  | 2/1959  | Humphrey .....     | 219/441 |
| D340,614 S *   | 10/1993 | Kaeding .....      | D7/360  |
| D443,794 S *   | 6/2001  | Garber et al. .... | D7/360  |
| 6,298,775 B1 * | 10/2001 | Chen .....         | 99/422  |
| D492,880 S *   | 7/2004  | Zepter .....       | D7/360  |
| D525,076 S *   | 7/2006  | Olsen et al. ....  | D7/353  |
| D639,603 S *   | 6/2011  | Degnan .....       | D7/360  |
| D642,423 S *   | 8/2011  | Seymour .....      | D7/363  |
| D657,992 S *   | 4/2012  | Moodie et al. .... | D7/354  |
| D658,428 S *   | 5/2012  | Seymour .....      | D7/363  |
| D664,802 S *   | 8/2012  | Upston .....       | D7/362  |
| D672,190 S *   | 12/2012 | Upston .....       | D7/354  |

\* cited by examiner

*Primary Examiner* — Ricky Pham

(74) *Attorney, Agent, or Firm* — Niro, Haller & Niro

(57) **CLAIM**

The ornamental design for a grill pan, as shown and described.

**DESCRIPTION**

FIG. 1 is a perspective view of a grill pan;  
FIG. 2 is a front view of the grill pan, the rear view being the mirror image thereof;  
FIG. 3 is a right side view of the grill pan, the left side view being the mirror image thereof;  
FIG. 4 is a top view of the grill pan; and,  
FIG. 5 is a bottom view of the grill pan.

**1 Claim, 4 Drawing Sheets**

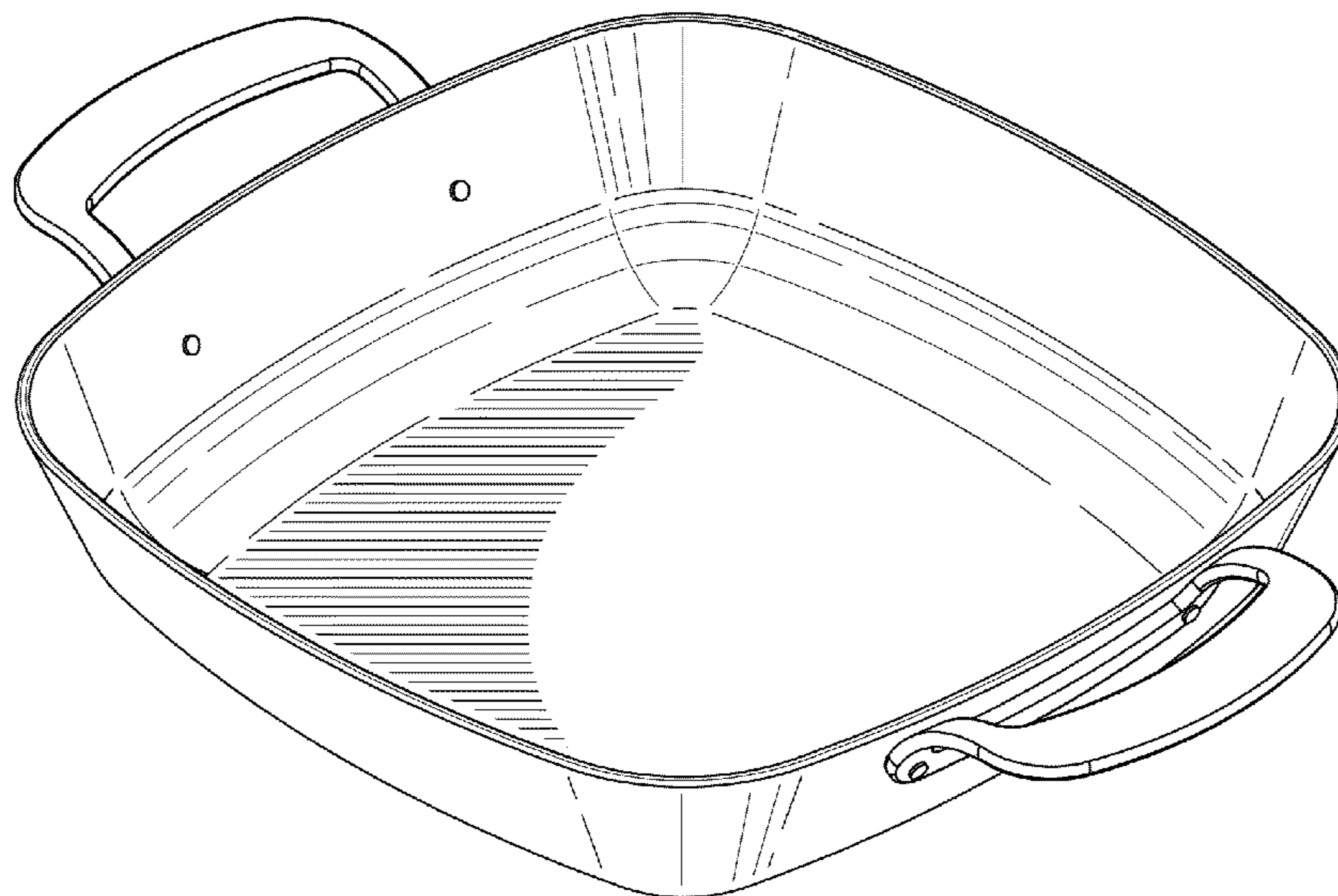


Fig. 1

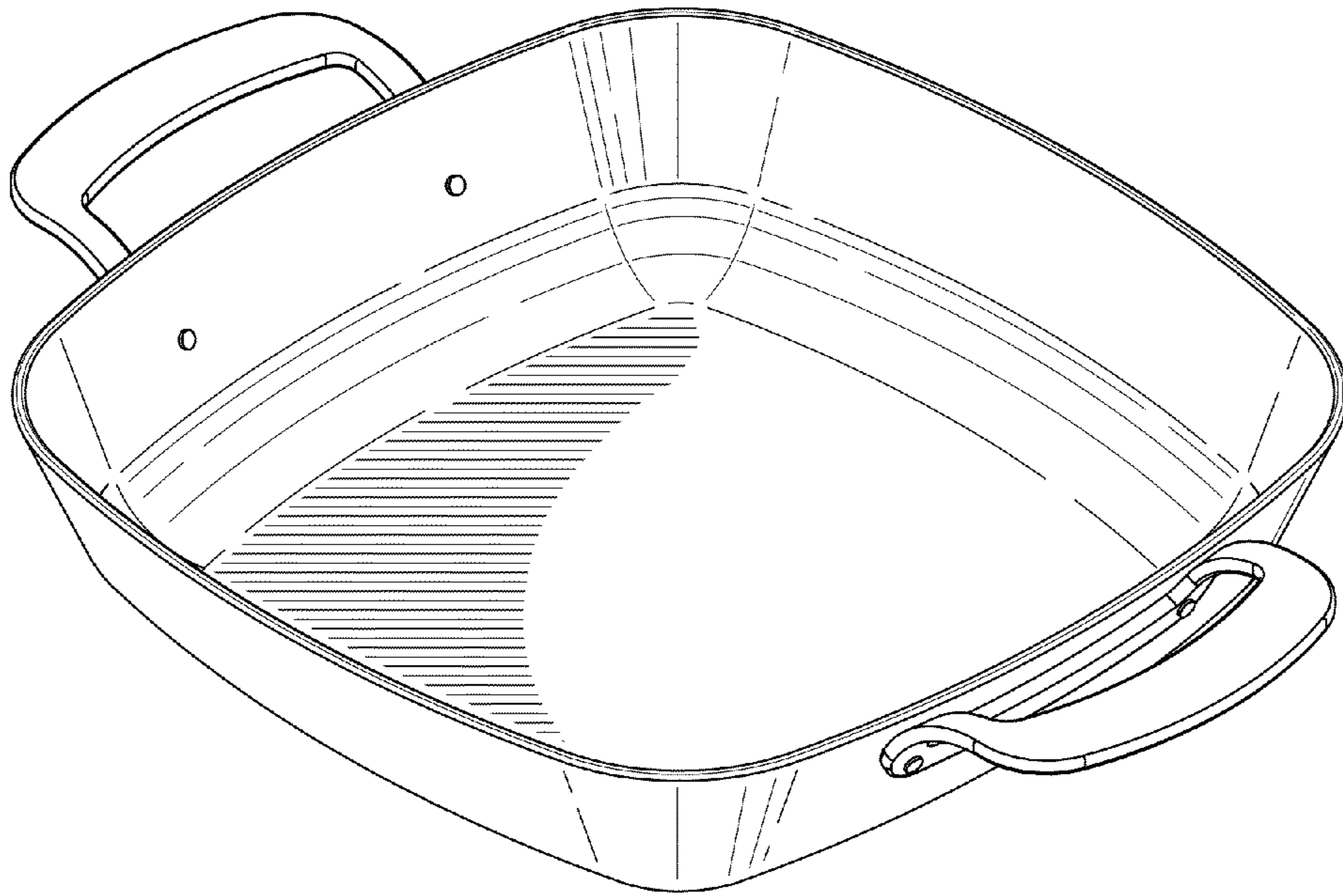


Fig. 2

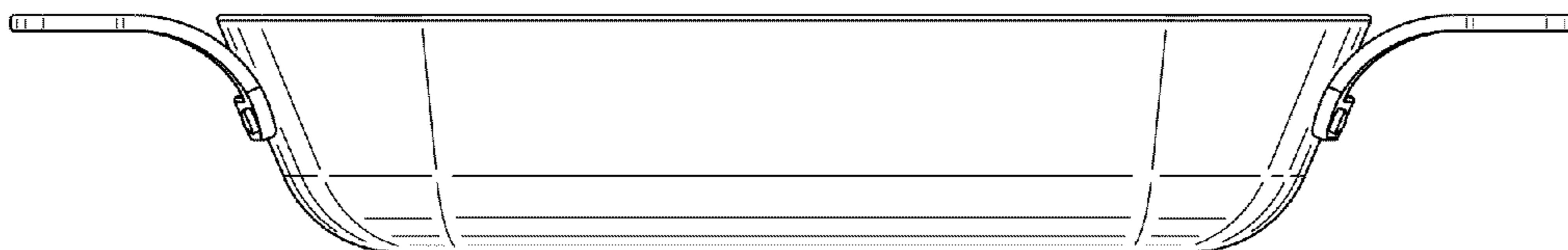


Fig. 3

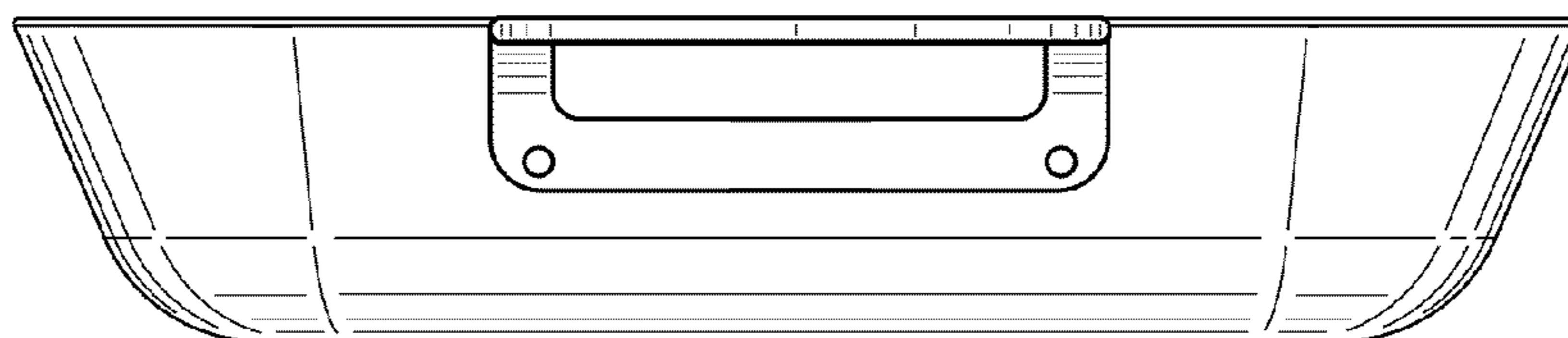


Fig. 4

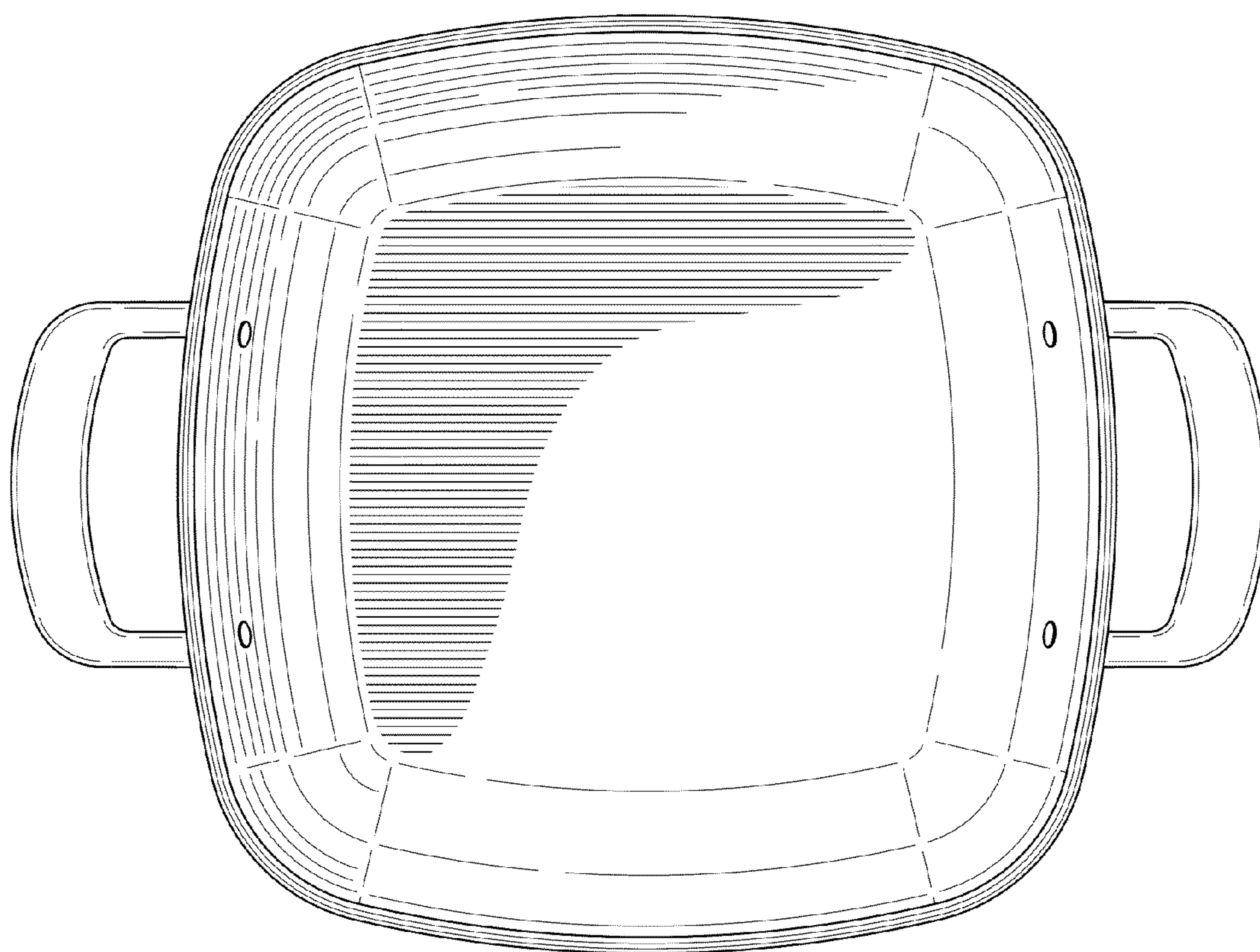


Fig. 5

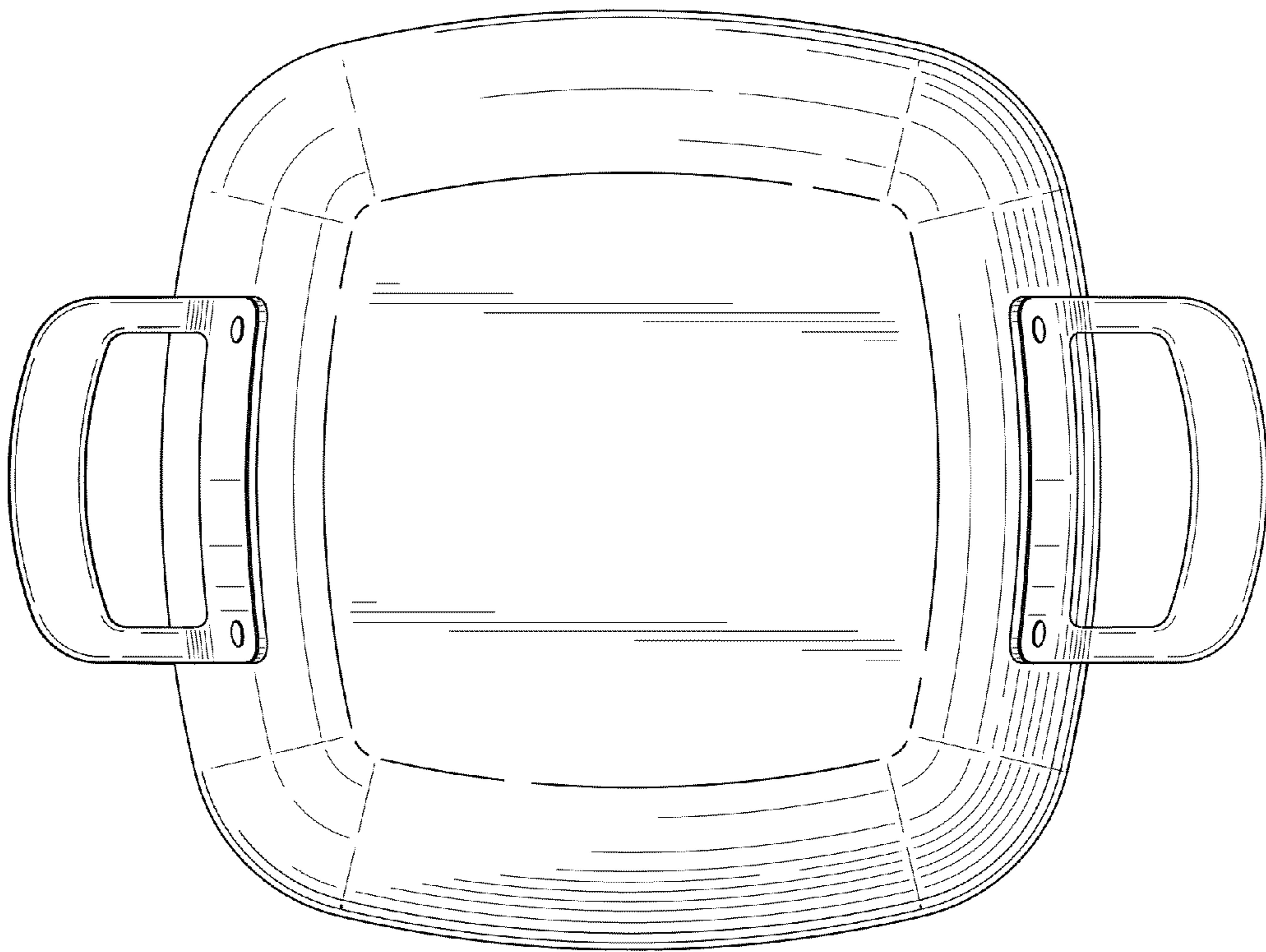


Fig. 6

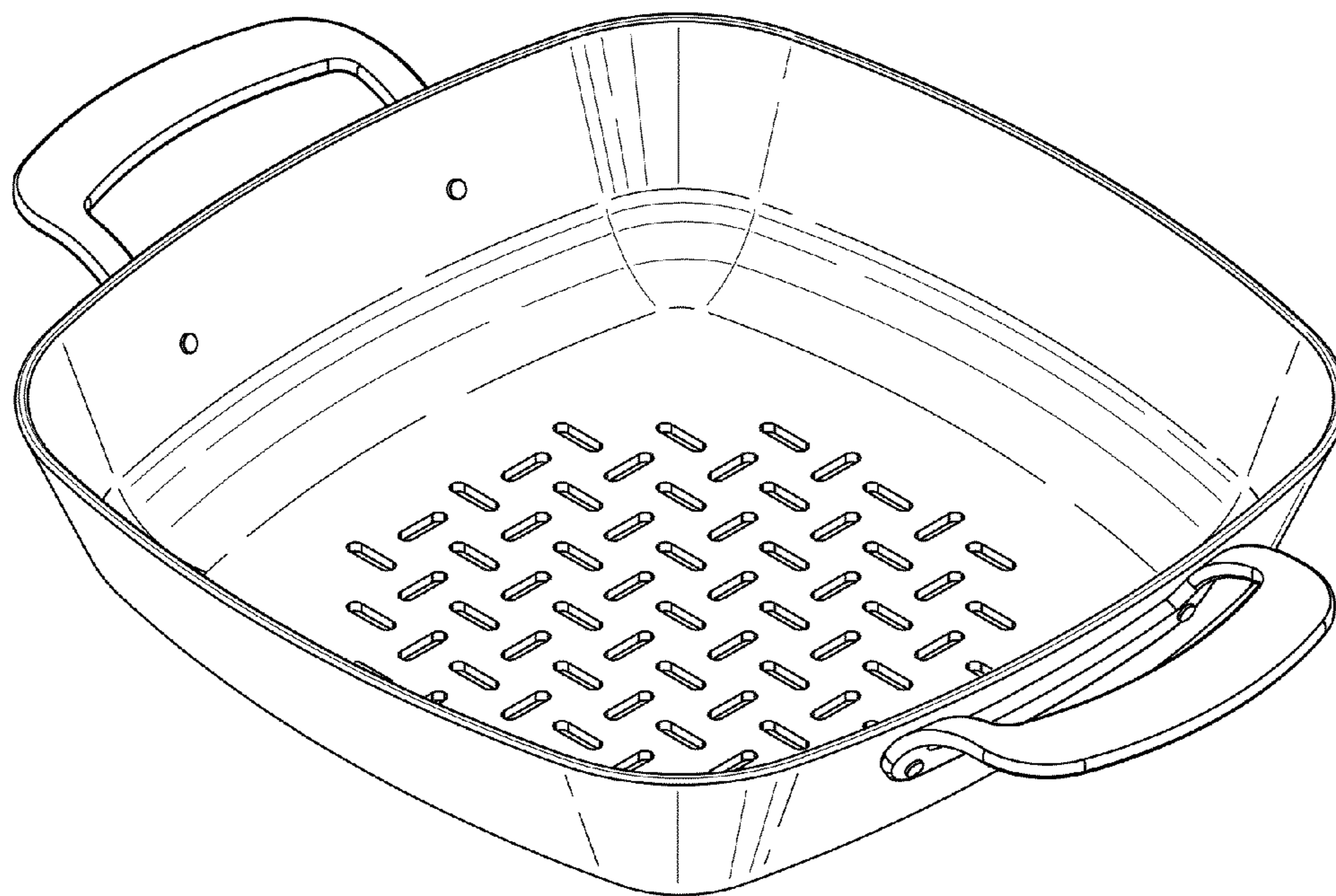


Fig. 7

