



US00D702482S

(12) **United States Design Patent**
Davis et al.

(10) **Patent No.:** **US D702,482 S**
(45) **Date of Patent:** **** Apr. 15, 2014**

(54) **OVEN**

(75) Inventors: **Gregg Davis**, Powell, OH (US); **Peter Koloski**, Upper Arlington, OH (US); **Jeffrey DeBord**, Worthington, OH (US); **Ryan Berger**, Columbus, OH (US)

(73) Assignee: **Illinois Tool Works Inc.**, Glenview, IL (US)

(**) Term: **14 Years**

(21) Appl. No.: **29/422,154**

(22) Filed: **May 17, 2012**

(51) **LOC (10) Cl.** **07-02**

(52) **U.S. Cl.**
USPC **D7/350.1**

(58) **Field of Classification Search**
USPC D7/350.1, 350.3, 350.4, 351, 402, 405, D7/406, 408, 348, 347; 126/275 E, 273 A, 126/19 M, 275 R, 21 R; 219/756-758
See application file for complete search history.

(56) **References Cited**

U.S. PATENT DOCUMENTS

D202,185 S * 9/1965 Meissner et al. D7/351
D318,775 S * 8/1991 Bonnet et al. D7/350.3

D384,544 S * 10/1997 Lieblein et al. D7/350.4
D465,963 S * 11/2002 Taira D7/351
D533,391 S * 12/2006 Foray et al. D7/351
D560,960 S * 2/2008 Hillmann et al. D7/350.1
D568,089 S * 5/2008 Hillmann et al. D7/347

* cited by examiner

Primary Examiner — Ruth McInroy

(74) *Attorney, Agent, or Firm* — Nelson Mullins Riley & Scarborough LLP

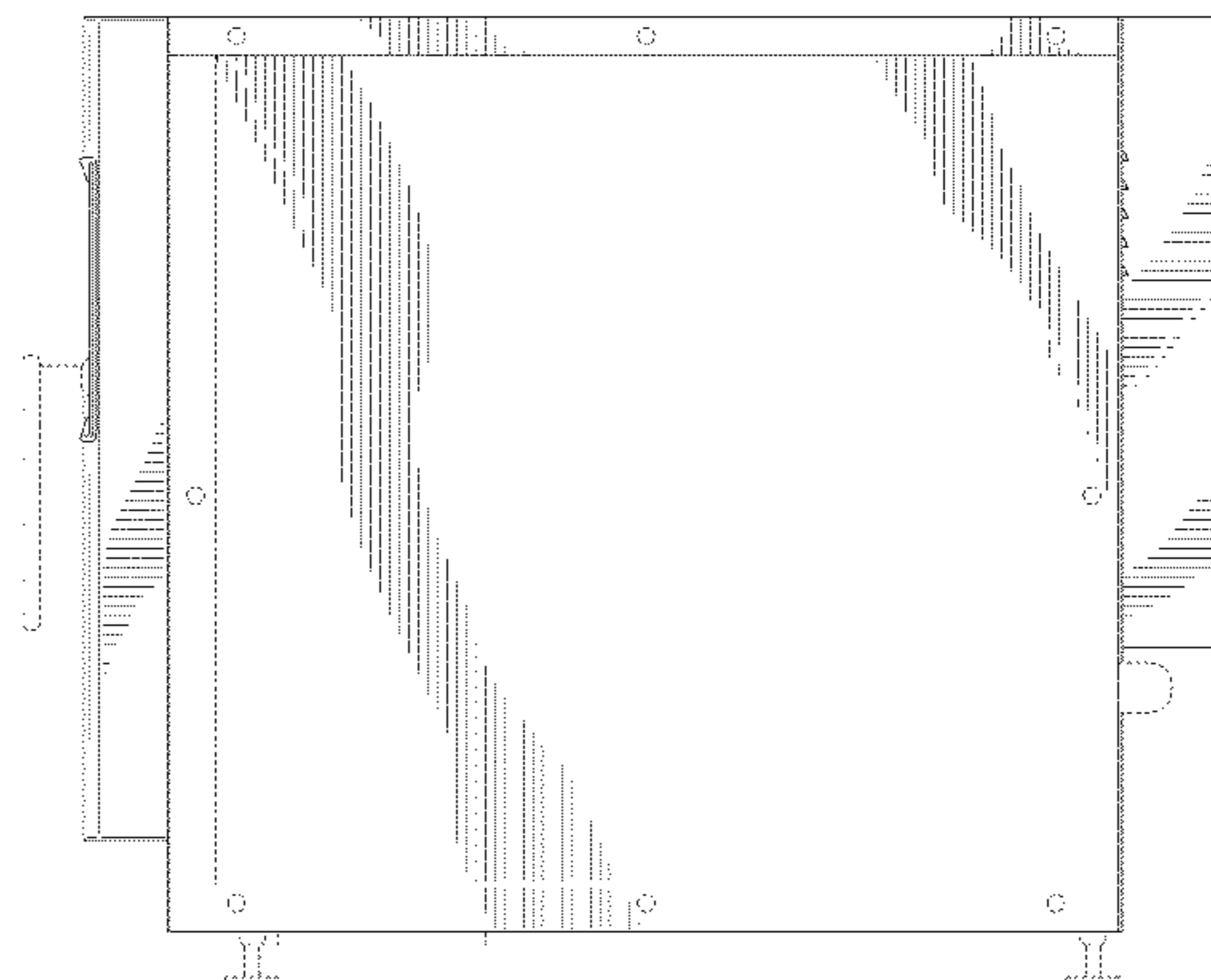
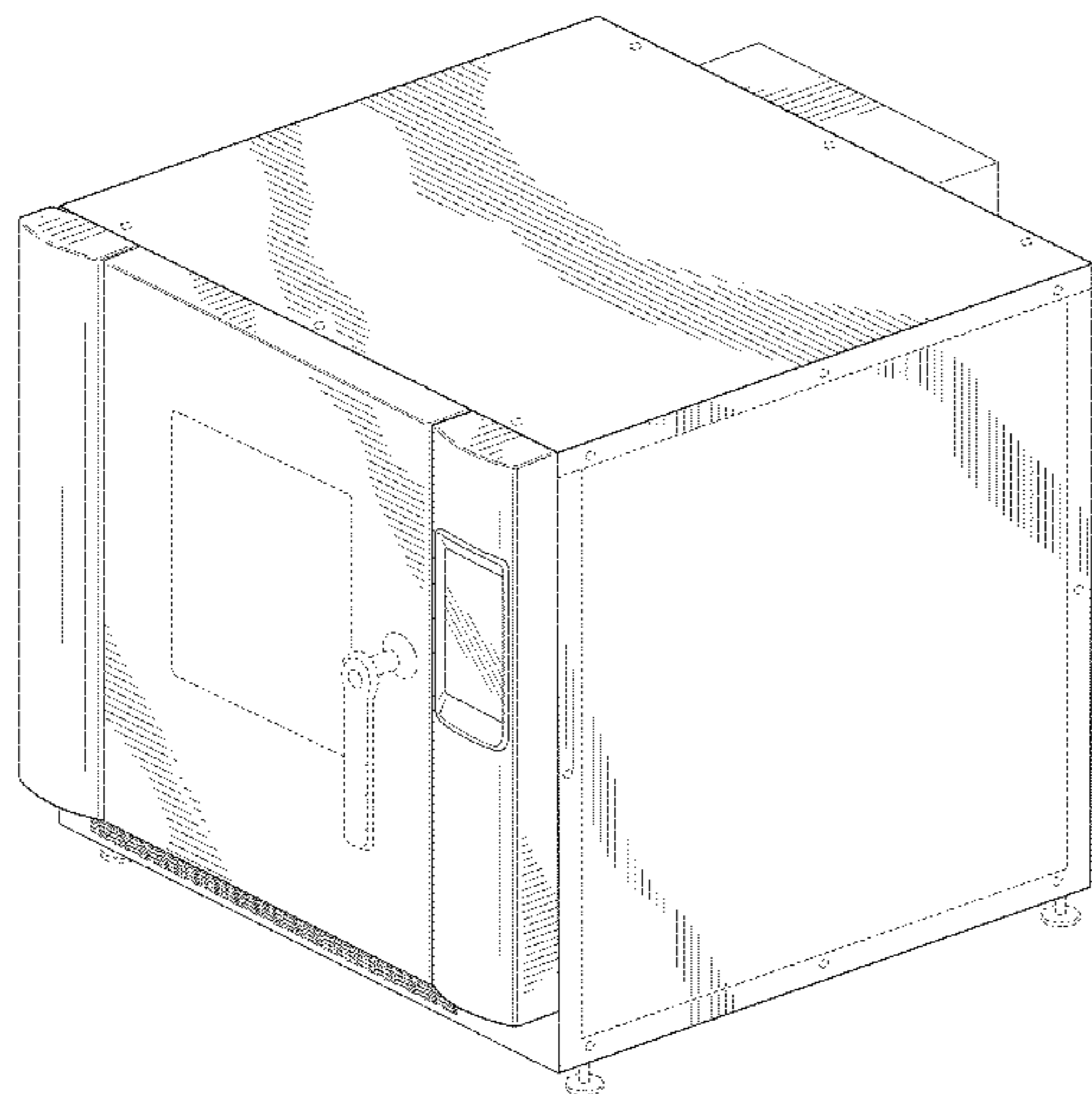
(57) **CLAIM**

The ornamental design for an oven, as shown and described.

DESCRIPTION

FIG. 1 is a front perspective view of an oven showing our new design;
FIG. 2 is a front view of the oven of FIG. 1;
FIG. 3 is a left side view of the oven of FIG. 1;
FIG. 4 is a rear view of the oven of FIG. 1;
FIG. 5 is a right side view of the oven of FIG. 1;
FIG. 6 is a top view of the oven of FIG. 1; and,
FIG. 7 is a bottom view of the oven of FIG. 1.
The details shown in broken lines form no part of the claimed design.

1 Claim, 7 Drawing Sheets



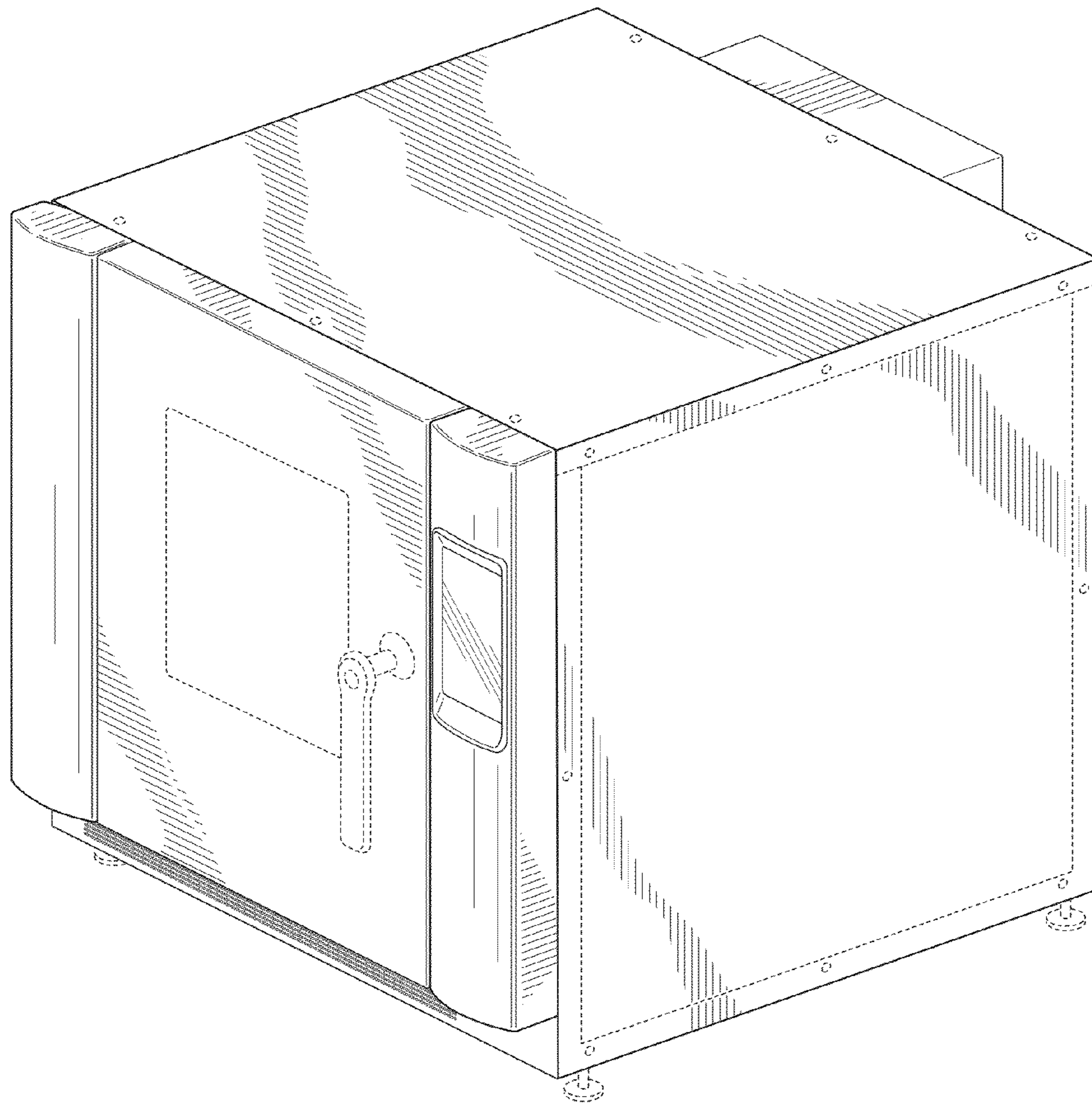


FIG. 1

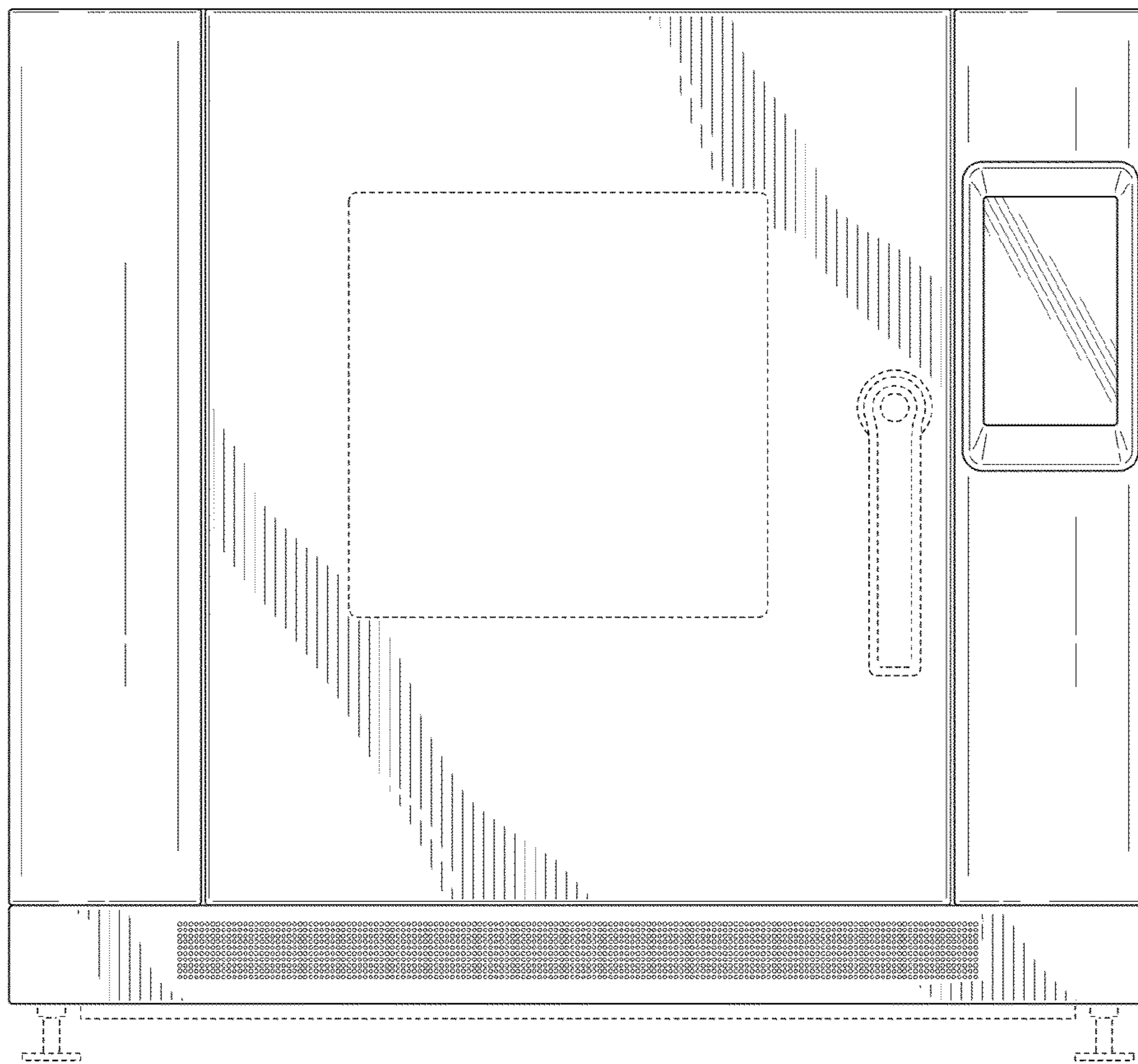


FIG. 2

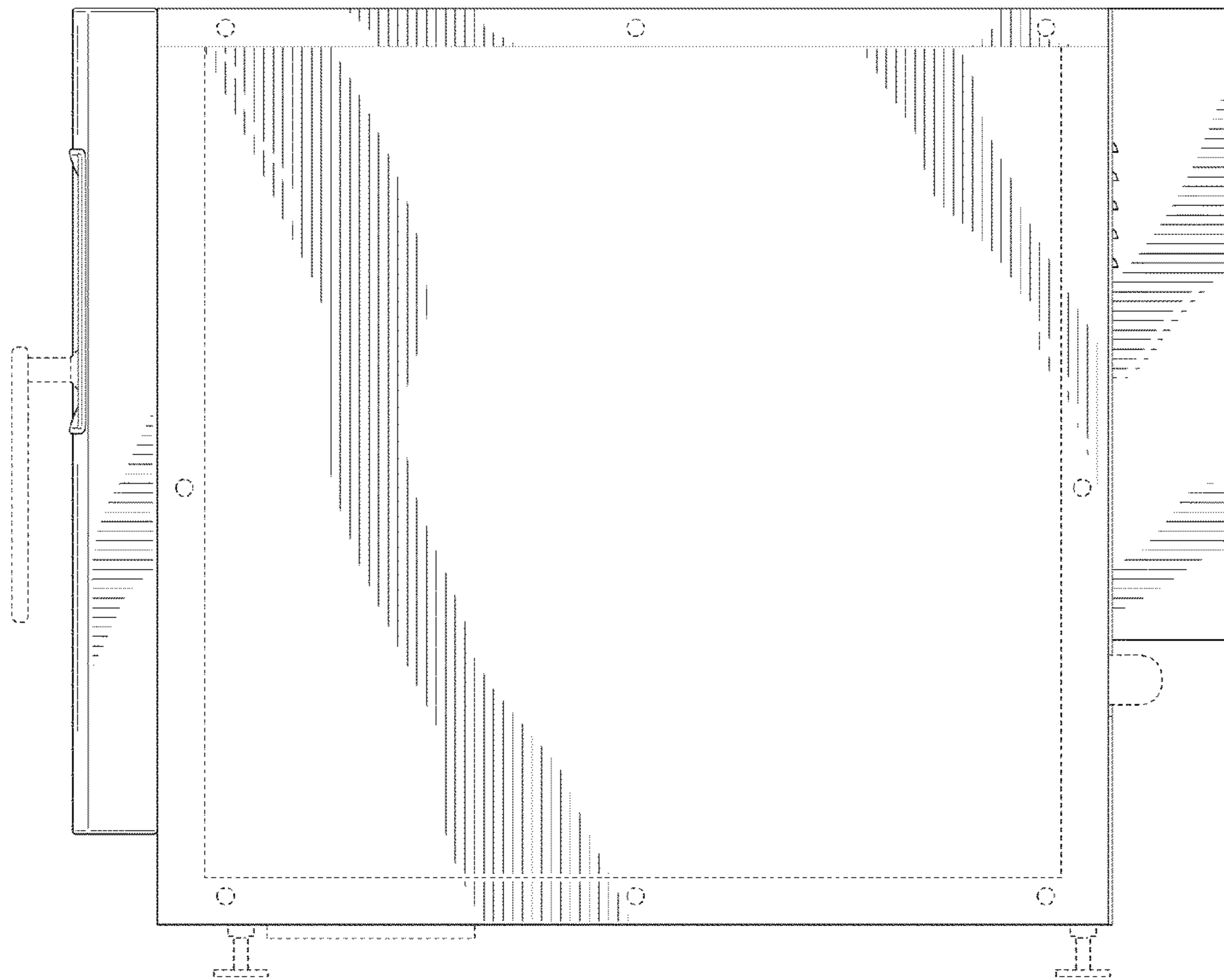


FIG. 3

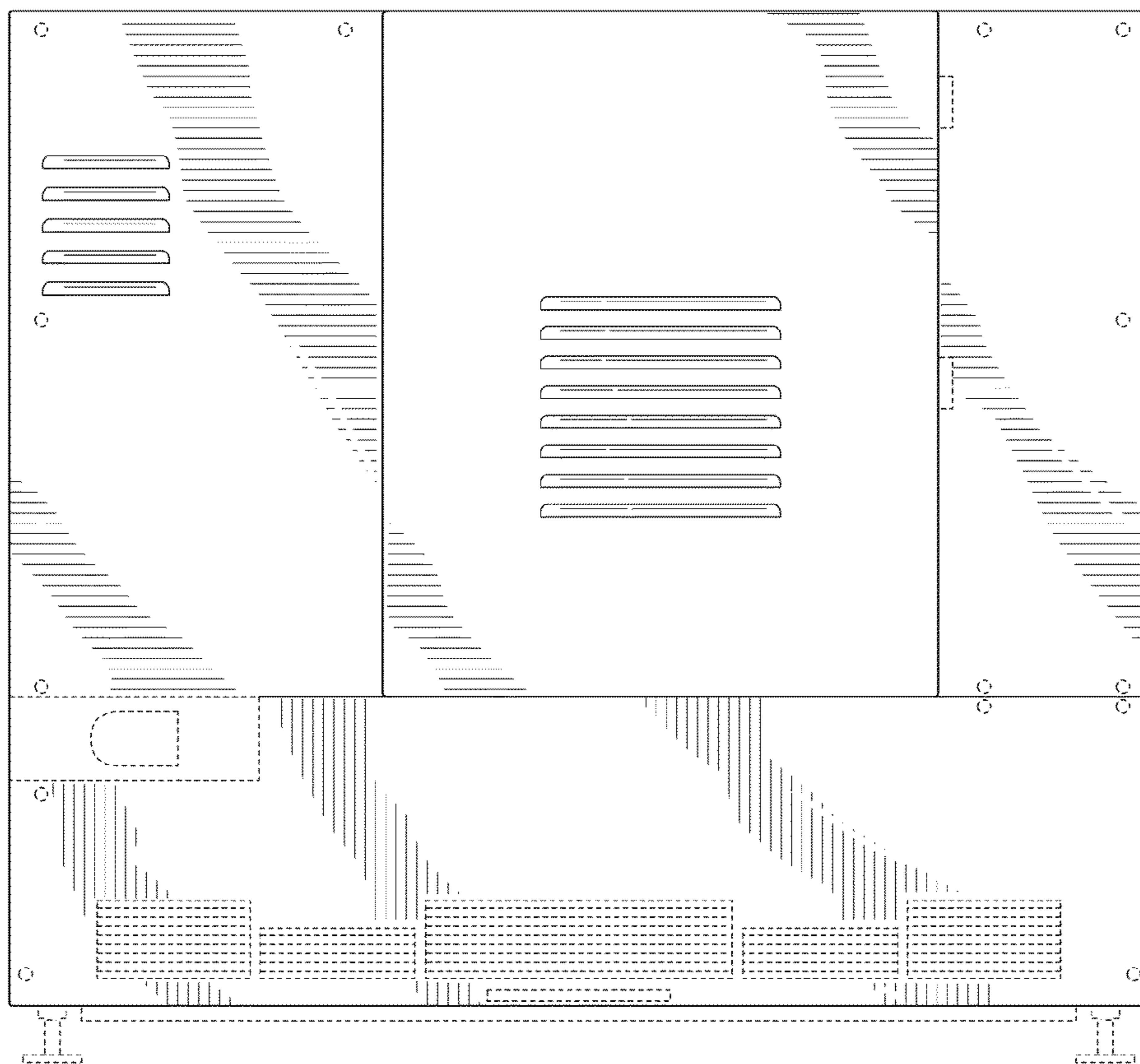


FIG. 4

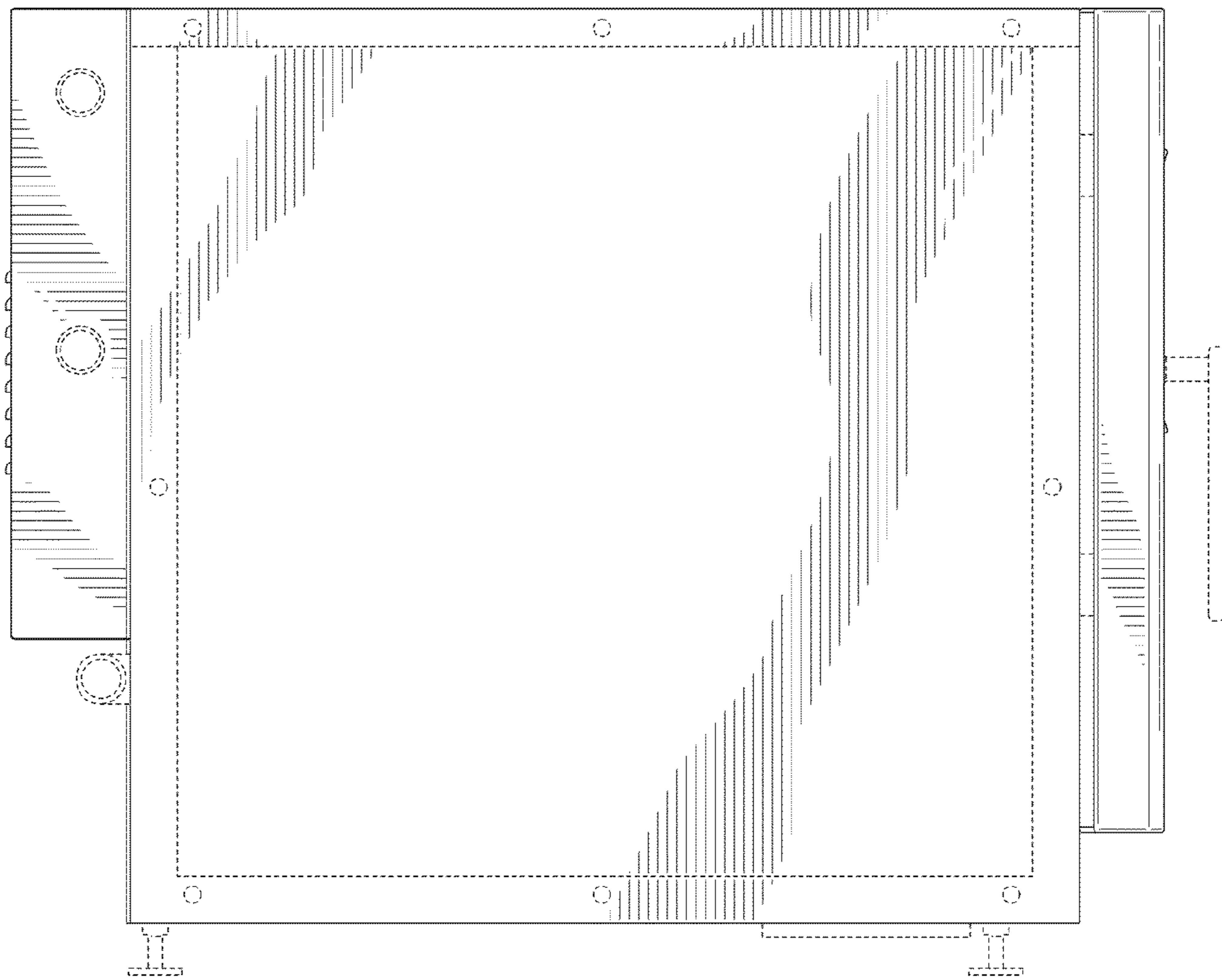


FIG. 5

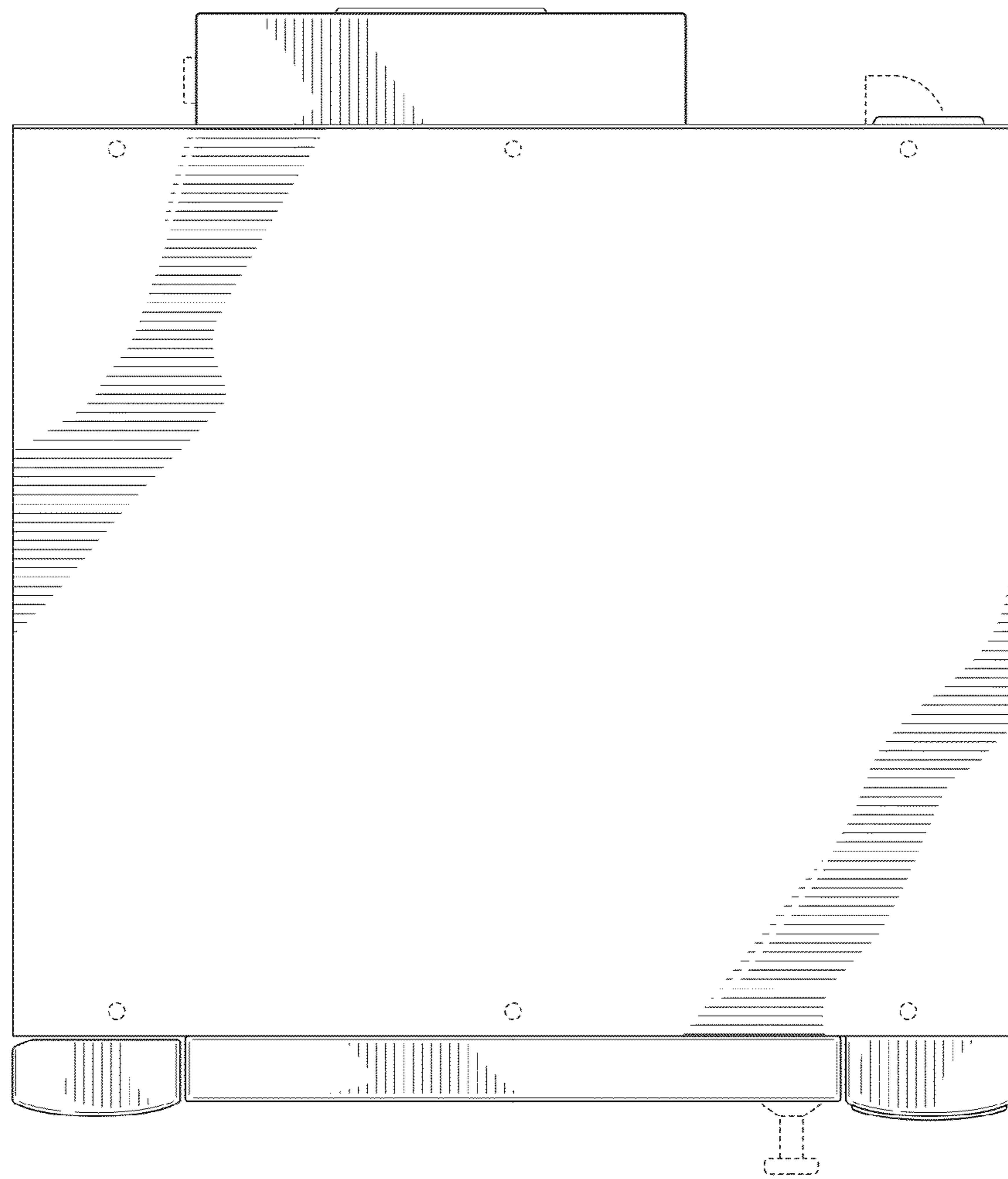


FIG. 6

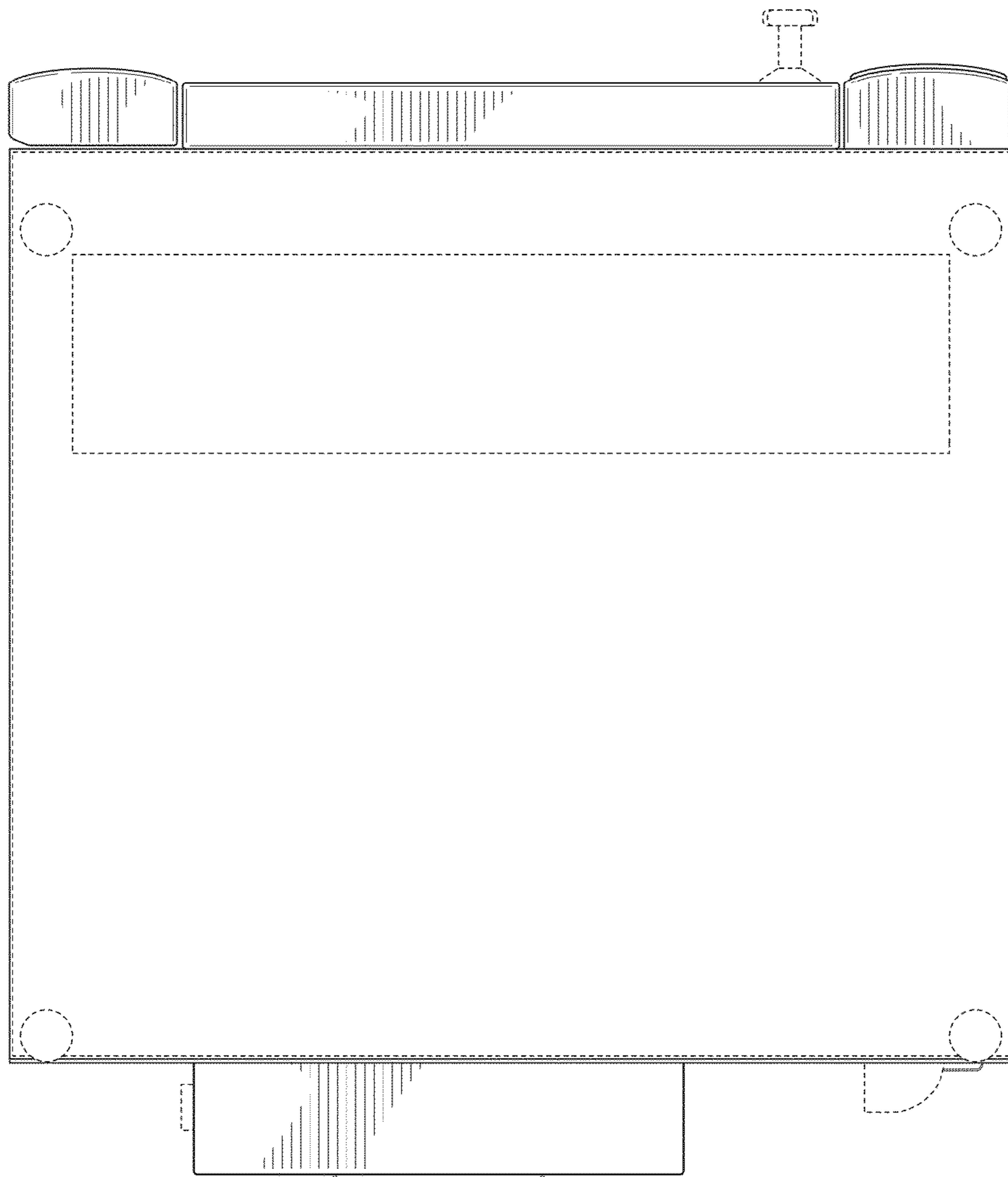


FIG. 7