



US00D702478S

(12) **United States Design Patent**  
**Wai**

(10) **Patent No.:** **US D702,478 S**  
(45) **Date of Patent:** **\*\* Apr. 15, 2014**

(54) **FRUIT DEHYDRATOR**  
(71) Applicant: **Victor K. Wai**, Siu Lam NT (HK)  
(72) Inventor: **Victor K. Wai**, Siu Lam NT (HK)  
(\*\*) Term: **14 Years**  
(21) Appl. No.: **29/436,945**  
(22) Filed: **Nov. 9, 2012**  
(51) **LOC (10) Cl.** ..... **07-02**  
(52) **U.S. Cl.**  
USPC ..... **D7/323**; D7/368  
(58) **Field of Classification Search**  
USPC ..... D7/323, 324, 347, 350.1, 350.3, 354,  
D7/362, 368, 402, 412, 350.4, 372; 34/80,  
34/192, 196, 197, 201, 381, 417, 493;  
99/416, 417, 427, 467, 476, 483, 484,  
99/473; 126/19 M, 21 R, 21 A, 275 R, 275 E;  
415/79; D23/366-369  
See application file for complete search history.

5,235,906 A \* 8/1993 Hsu ..... 99/483  
5,423,249 A \* 6/1995 Meyer ..... 99/483  
5,437,108 A \* 8/1995 Alseth ..... 34/196  
5,974,957 A \* 11/1999 Ysen ..... 99/427  
6,085,442 A \* 7/2000 Erickson ..... 34/381  
D544,593 S \* 6/2007 Yamamoto ..... D23/366  
D597,646 S \* 8/2009 Chapman et al. .... D23/366  
D598,527 S \* 8/2009 Fitsch ..... D23/356  
D629,642 S \* 12/2010 Miller ..... D7/372  
D641,464 S \* 7/2011 De Haan et al. .... D23/366  
D685,900 S \* 7/2013 Sayre et al. .... D23/366

\* cited by examiner

*Primary Examiner* — Caron D Veynar  
*Assistant Examiner* — Martie K Holtje  
(74) *Attorney, Agent, or Firm* — Tejpal S. Hansra

(57) **CLAIM**  
The ornamental design for a fruit dehydrator, as shown and described.

**DESCRIPTION**

FIG. 1 is a left front perspective view of a fruit dehydrator showing my new design;  
FIG. 2 is a front elevational view thereof;  
FIG. 3 is a right side elevational view thereof;  
FIG. 4 is a left side elevational view thereof;  
FIG. 5 is a rear elevational view thereof;  
FIG. 6 is a top plan view thereof; and,  
FIG. 7 is a bottom plan view thereof.  
The structural features depicted by broken lines have been shown for the purpose of illustrating portions of the fruit dehydrator which form no part of the claimed design.

**1 Claim, 6 Drawing Sheets**

(56) **References Cited**

**U.S. PATENT DOCUMENTS**

D137,468 S \* 3/1944 Smith ..... D7/368  
2,414,642 A \* 1/1947 Gary ..... 34/80  
3,848,803 A \* 11/1974 Levey ..... 239/59  
4,036,562 A \* 7/1977 Barnes ..... 415/79  
4,190,965 A \* 3/1980 Erickson ..... 34/196  
D261,142 S \* 10/1981 Erickson et al. .... D7/368  
4,536,643 A \* 8/1985 Erickson ..... 219/400  
5,215,004 A \* 6/1993 Su ..... 99/483

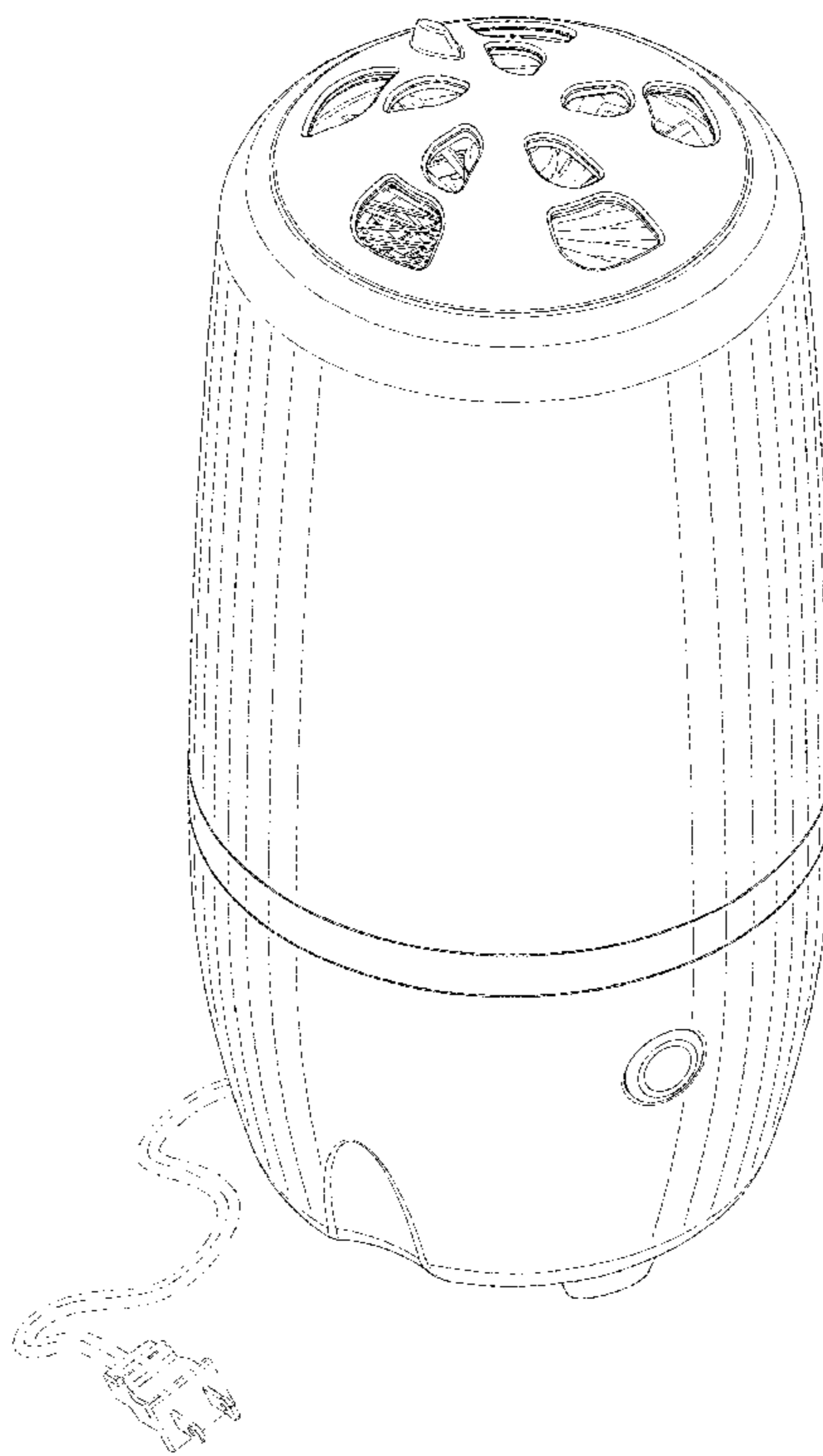


FIG. 1

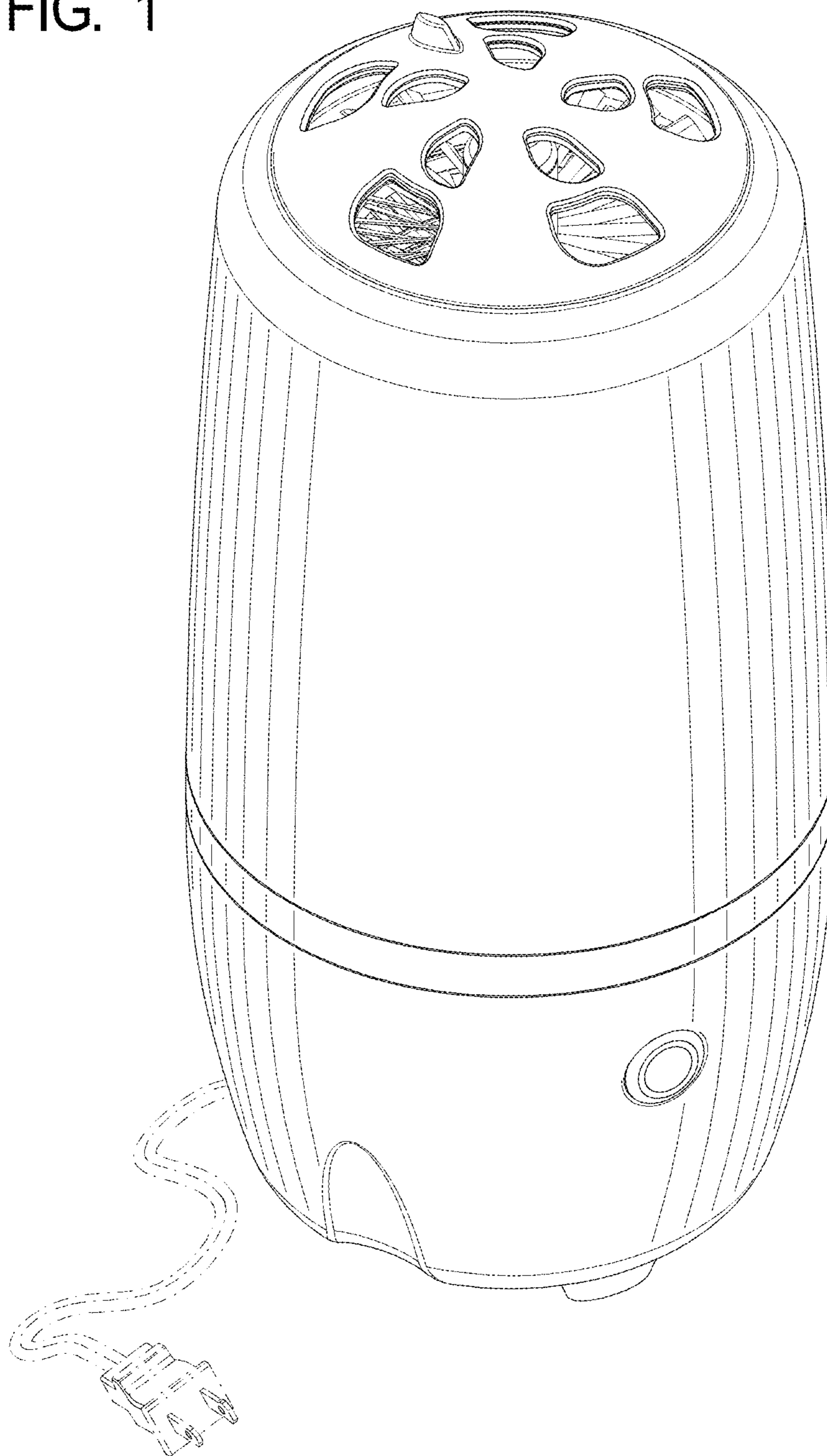


FIG. 2

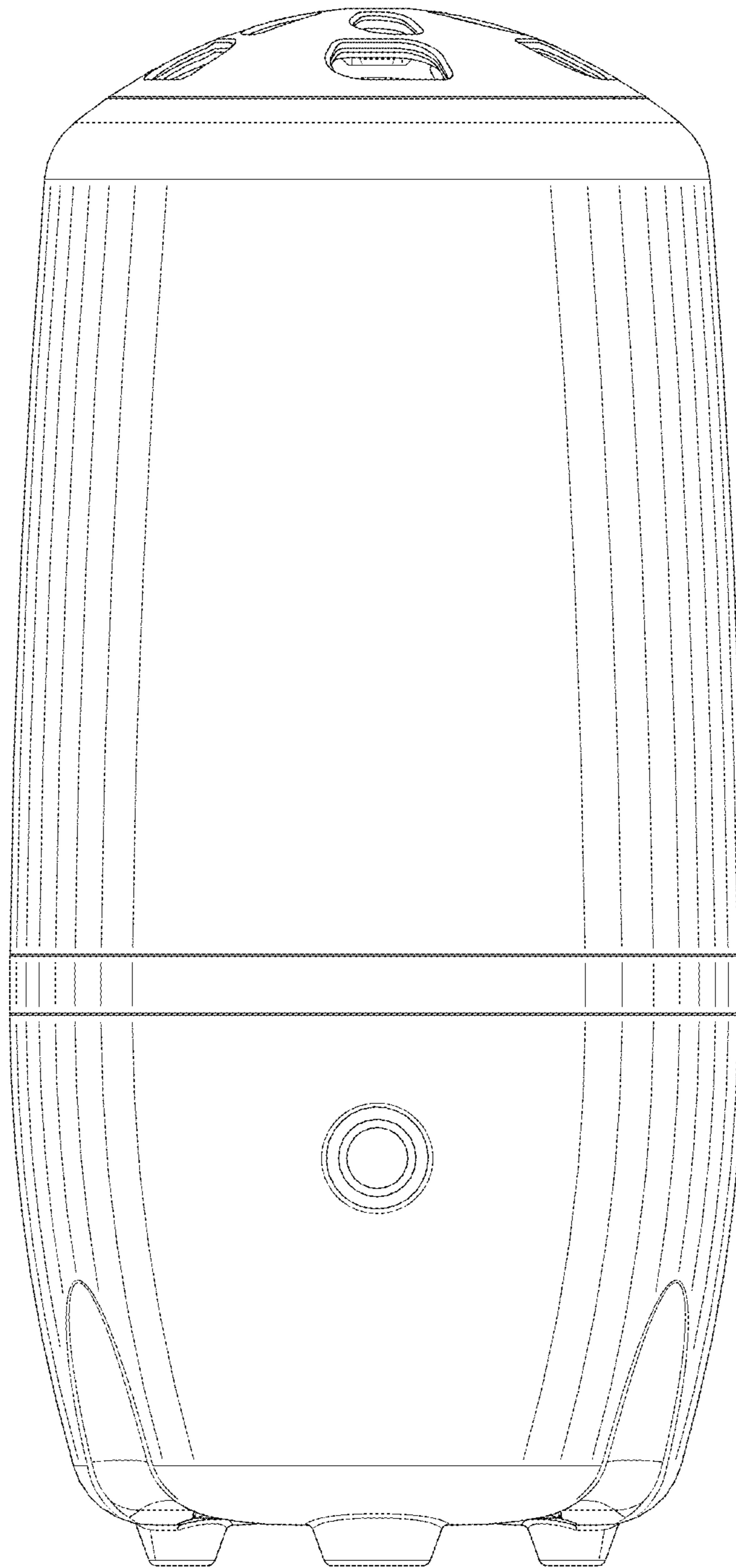


FIG. 3

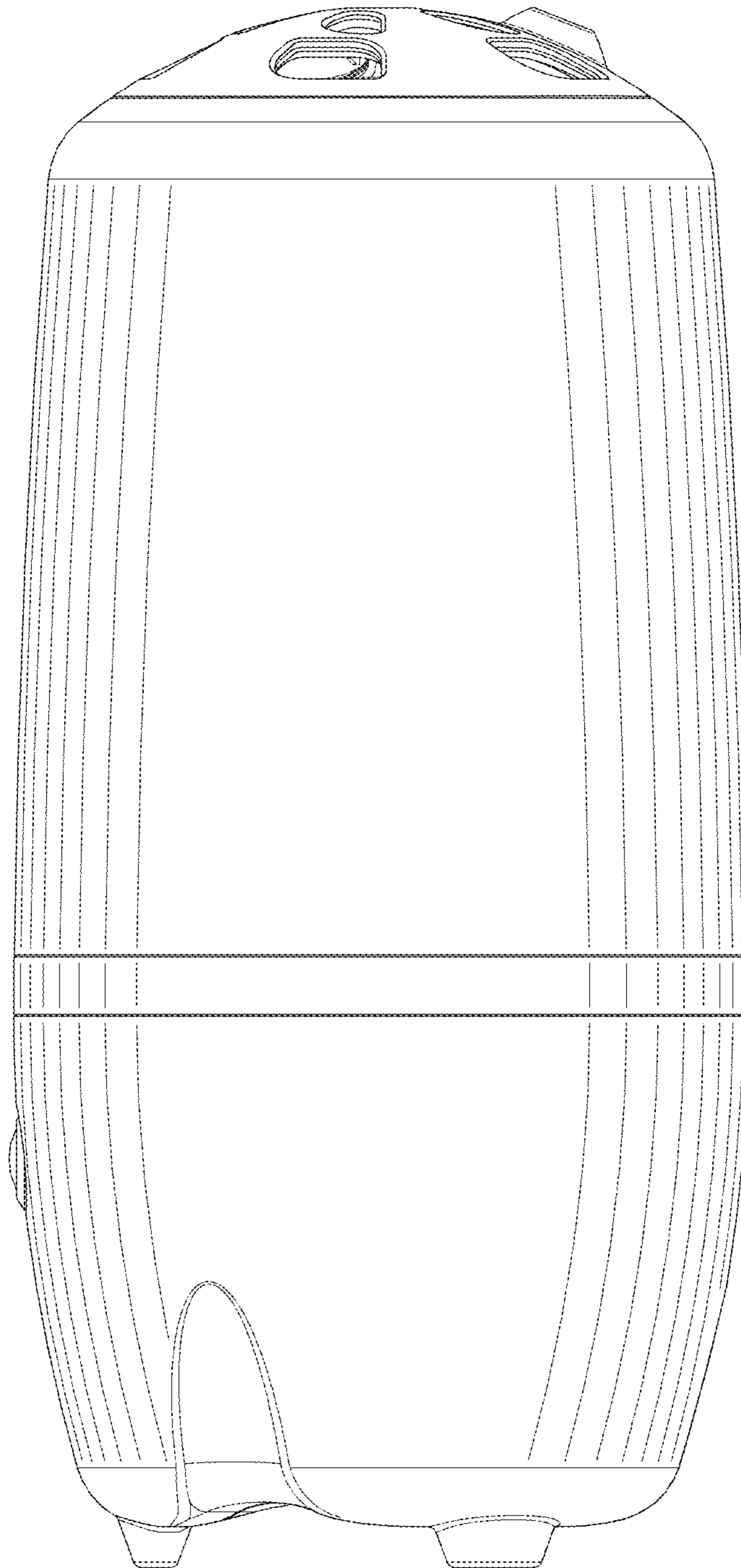


FIG. 4

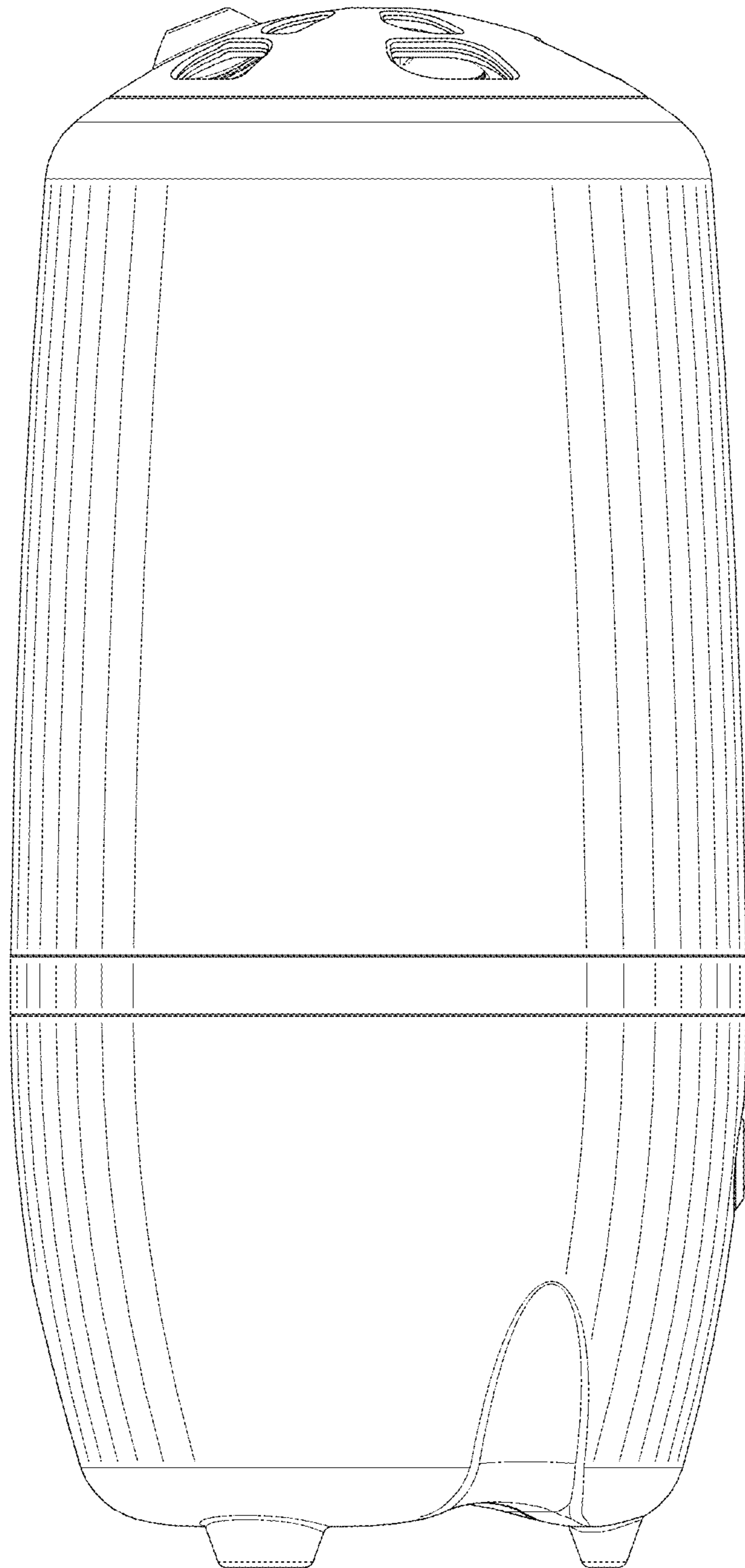


FIG. 5

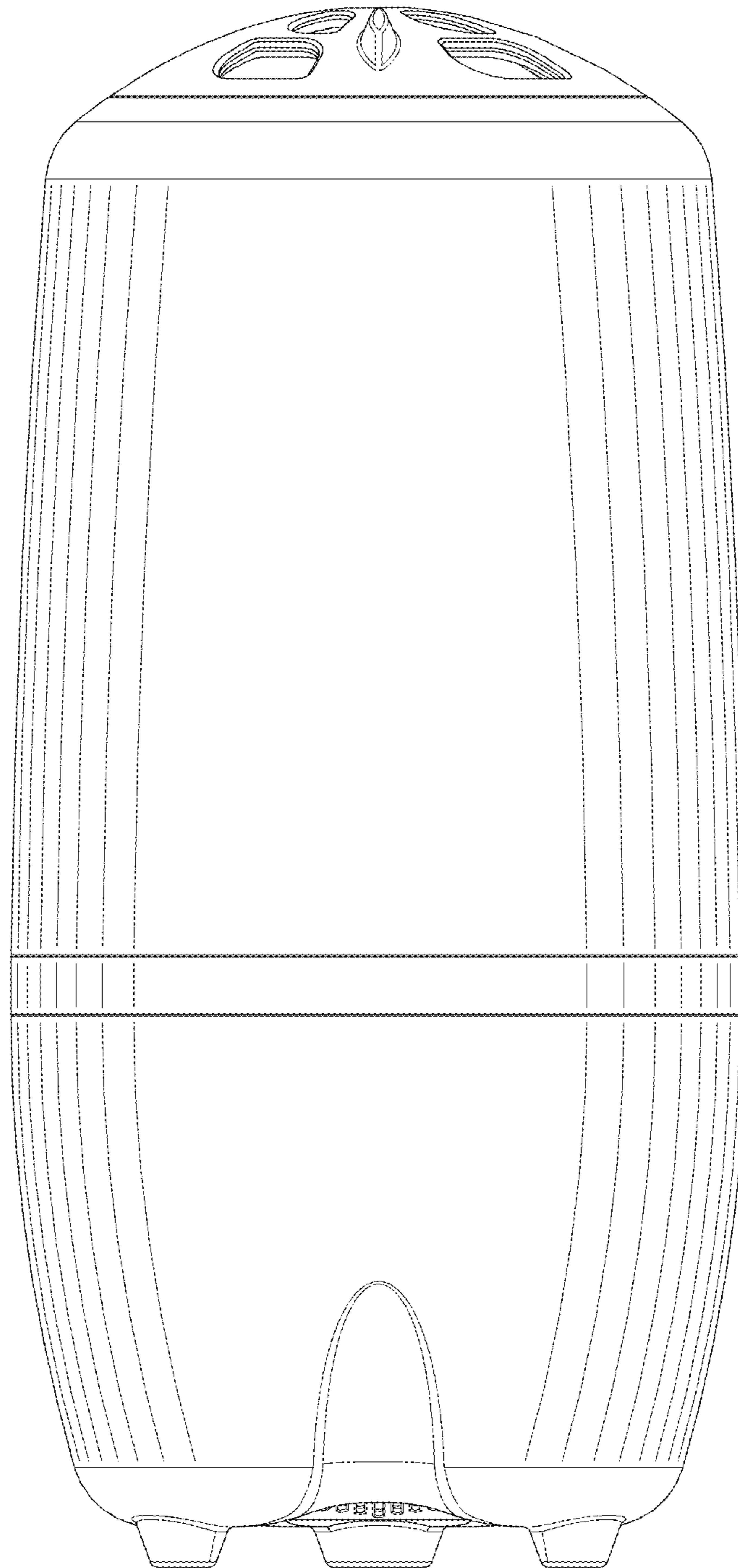


FIG. 6

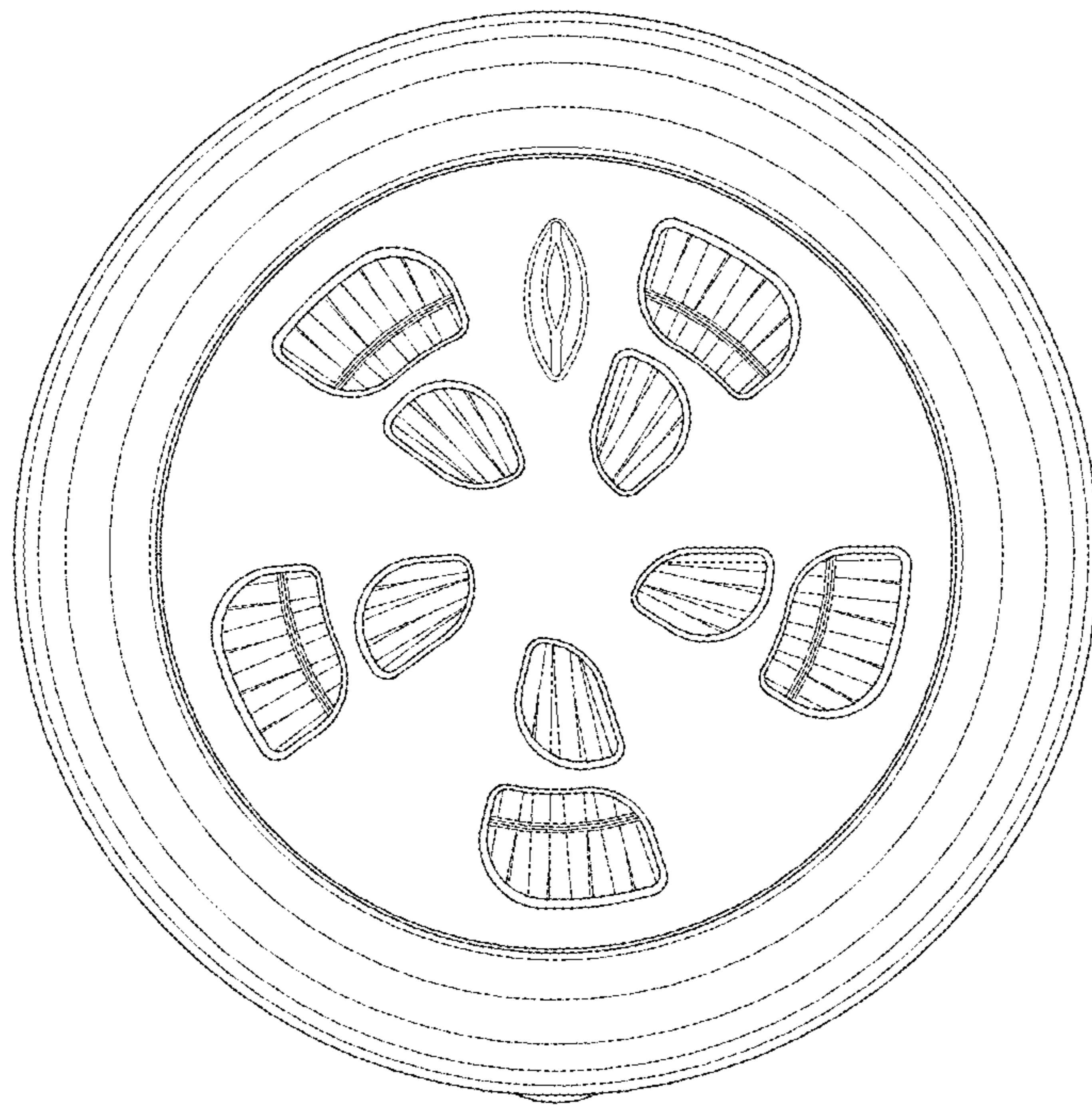


FIG. 7

