



US00D702476S

(12) **United States Design Patent**
Minica et al.

(10) **Patent No.:** **US D702,476 S**
(45) **Date of Patent:** **** Apr. 15, 2014**

(54) **BEVERAGE URN HAVING A DISPLAY**

(71) Applicant: **Schroeder Industries, Inc.**, San Antonio, TX (US)

(72) Inventors: **Jason Minica**, Schertz, TX (US); **David Santy**, Converse, TX (US); **Deborah Absalon**, Converse, TX (US)

(73) Assignee: **Schroeder Industries, Inc.**, San Antonio, TX (US)

(**) Term: **14 Years**

(21) Appl. No.: **29/453,034**

(22) Filed: **Apr. 24, 2013**

Related U.S. Application Data

(63) Continuation of application No. 13/767,561, filed on Feb. 14, 2013.

(51) **LOC (10) Cl.** **07-01**

(52) **U.S. Cl.**
USPC **D7/306; D7/313**

(58) **Field of Classification Search**
USPC D7/300, 306-308, 311, 313, 301;
D15/81; 99/275, 323.3; 222/129.1,
222/144.5

See application file for complete search history.

(56) **References Cited**

U.S. PATENT DOCUMENTS

6,619,507 B2 * 9/2003 Lassota 222/108
D497,075 S * 10/2004 Lassota et al. D7/306

D518,677 S * 4/2006 Van Berlo D7/306
D573,392 S * 7/2008 Smith D7/306
D583,609 S * 12/2008 Sluijter D7/306
D618,950 S * 7/2010 Jaffe et al. D7/306
D644,058 S * 8/2011 Cahen D7/309
D655,561 S * 3/2012 Wang D7/306
D676,699 S * 2/2013 Chung et al. D7/307
D676,700 S * 2/2013 Chung et al. D7/307
D676,701 S * 2/2013 Chung et al. D7/307
D677,509 S * 3/2013 Wang D7/306
D685,220 S * 7/2013 Schilders et al. D7/323
2011/0107918 A1 * 5/2011 Santy et al. 99/275

* cited by examiner

Primary Examiner — Marianne Pandozzi

(74) *Attorney, Agent, or Firm* — Jackson Walker, LLP

(57) **CLAIM**

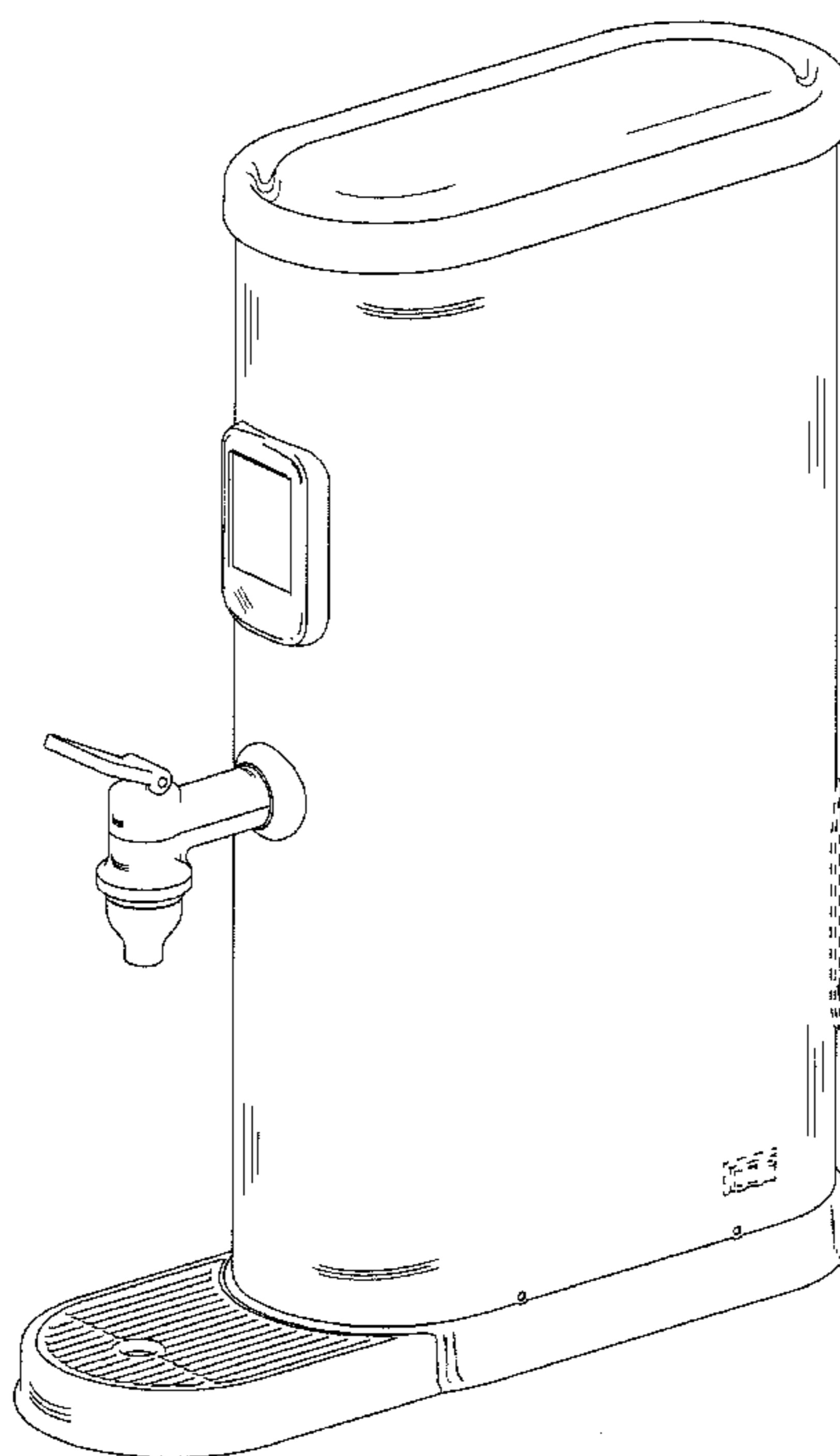
The ornamental design for a beverage urn having a display, as shown and described.

DESCRIPTION

FIG. 1 is a perspective view of applicant's beverage urn having a display showing our new design; FIG. 2 is a left side elevational view thereof; FIG. 3 is a right side elevational view thereof; FIG. 4 is a front elevational view thereof; FIG. 5 is a rear elevational view thereof; and, FIG. 6 is a top plan view thereof.

The broken lines are for illustrative purposes only and form no part of the claimed design.

1 Claim, 6 Drawing Sheets



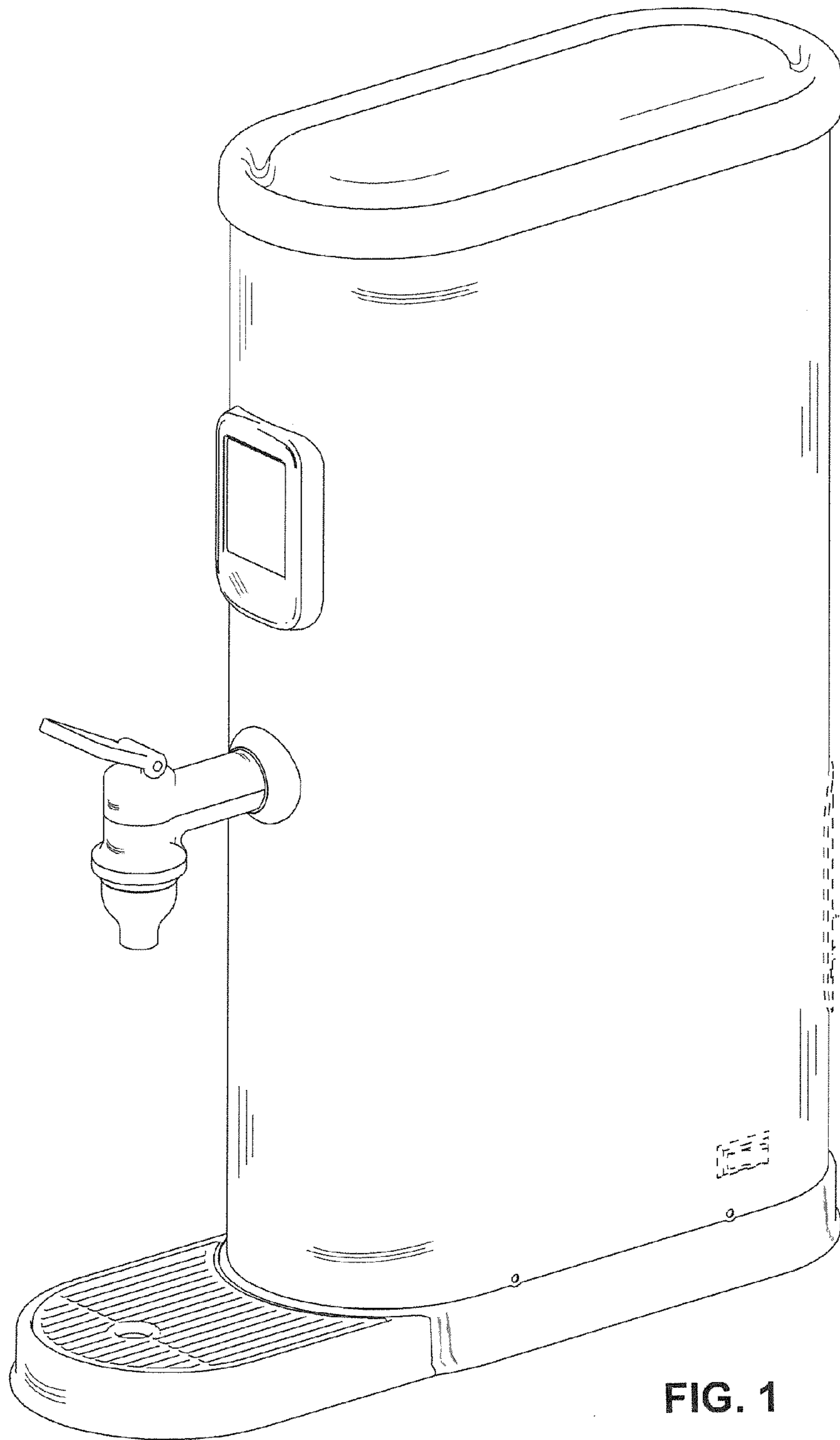


FIG. 1

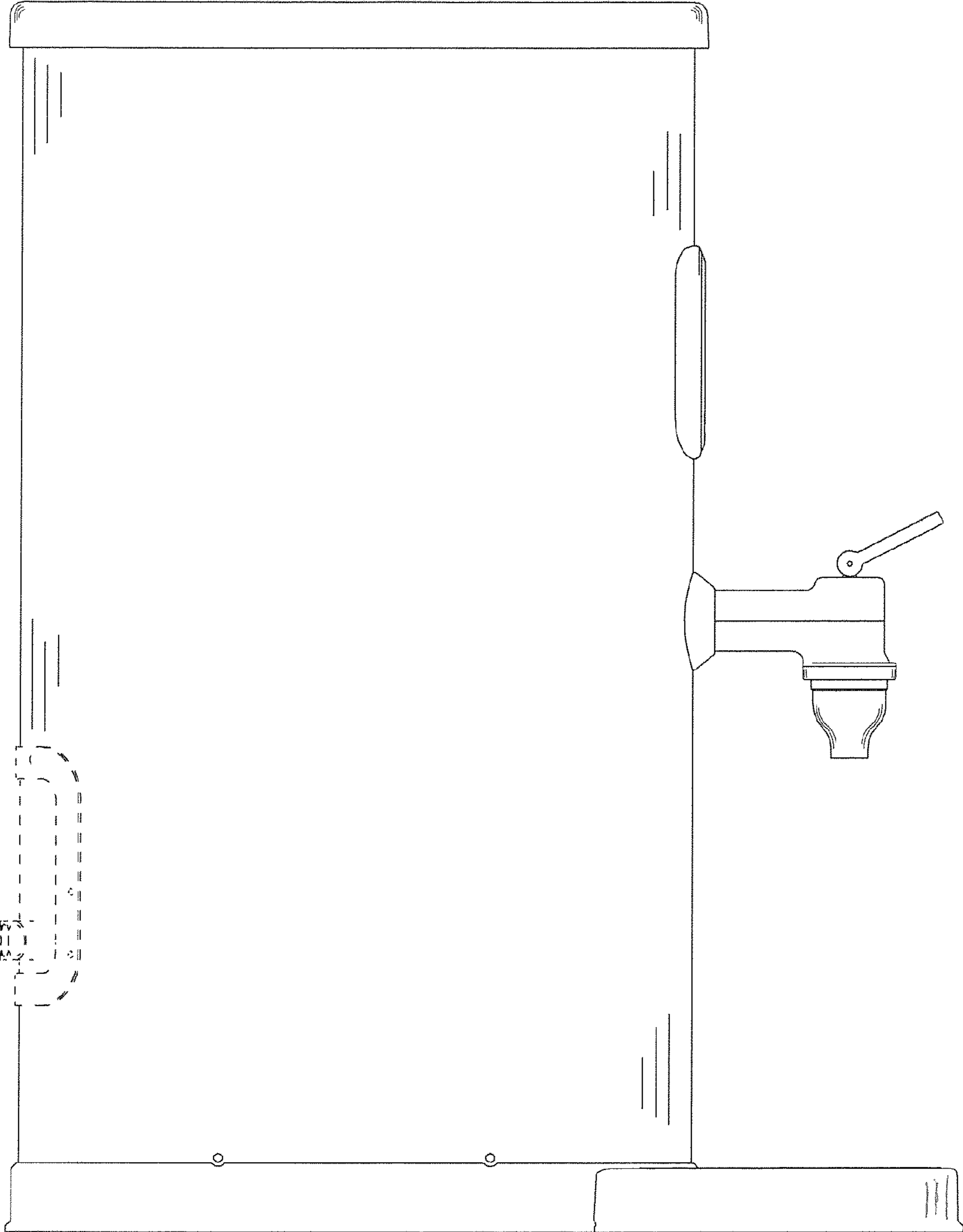


FIG. 2

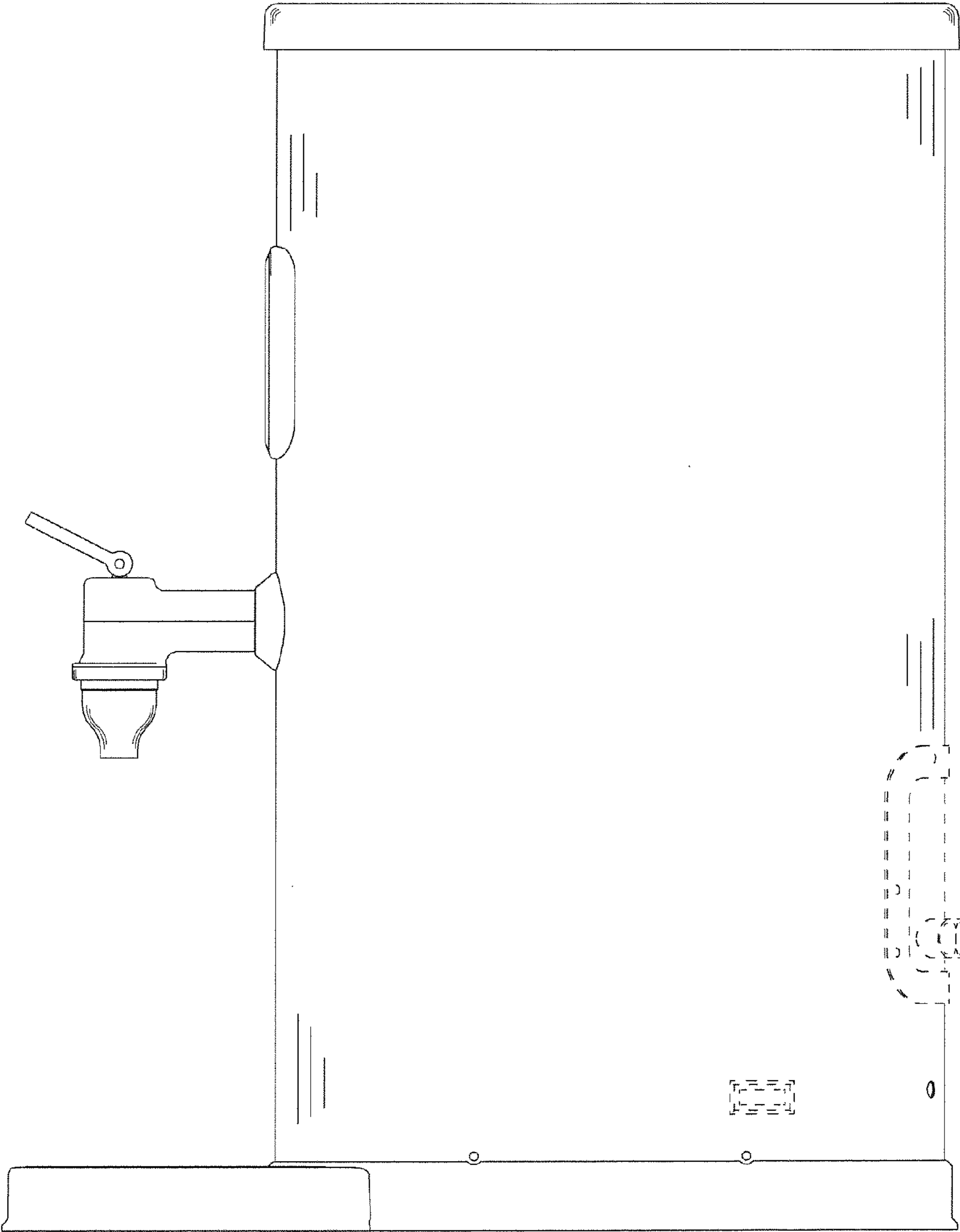


FIG. 3

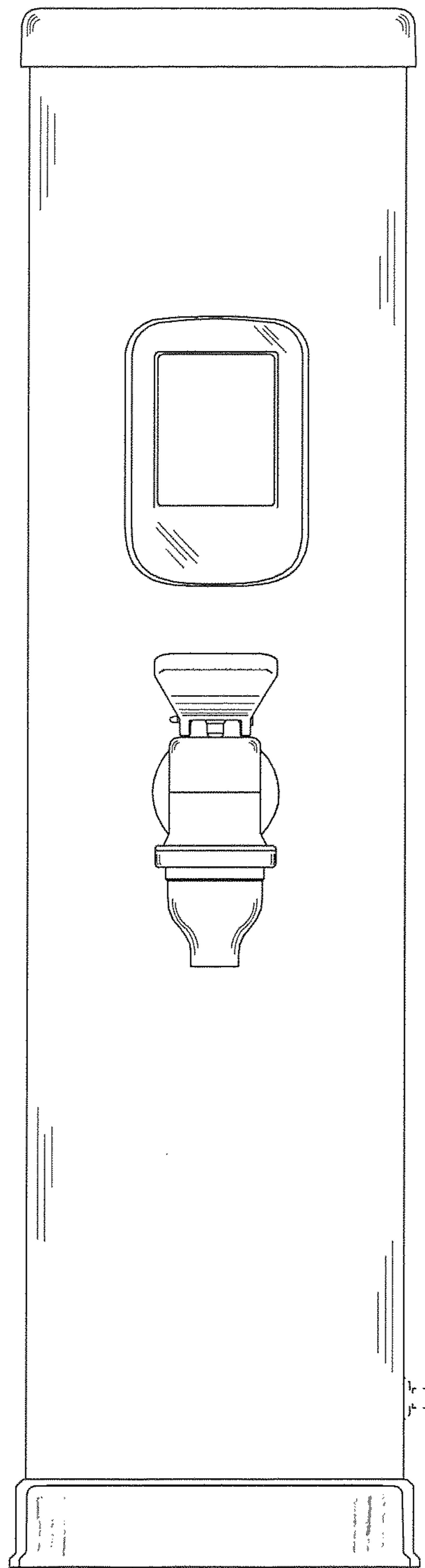


FIG. 4

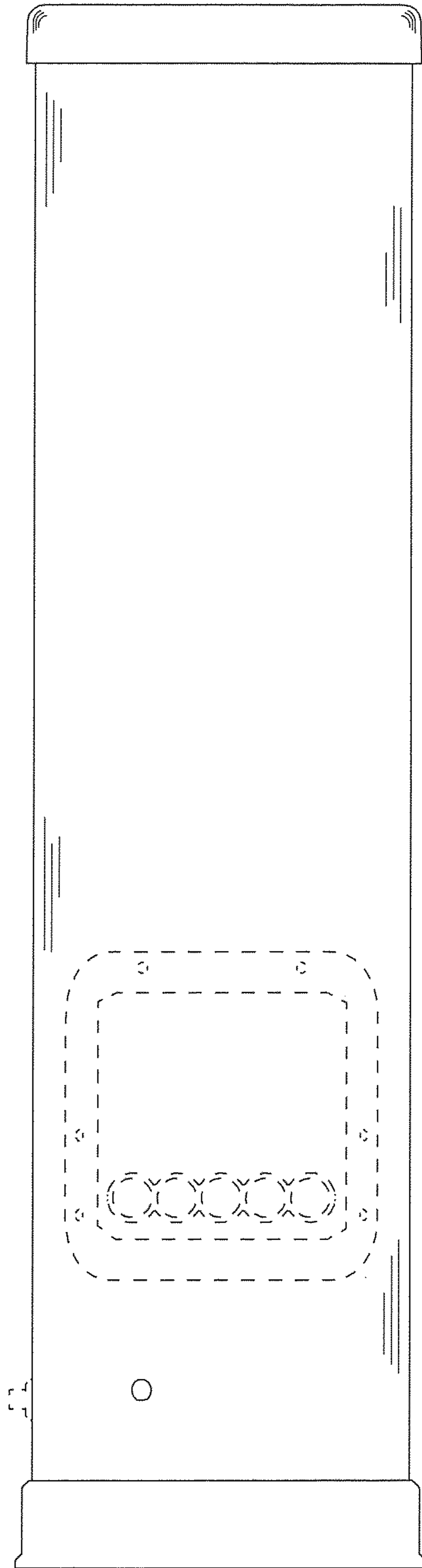


FIG. 5

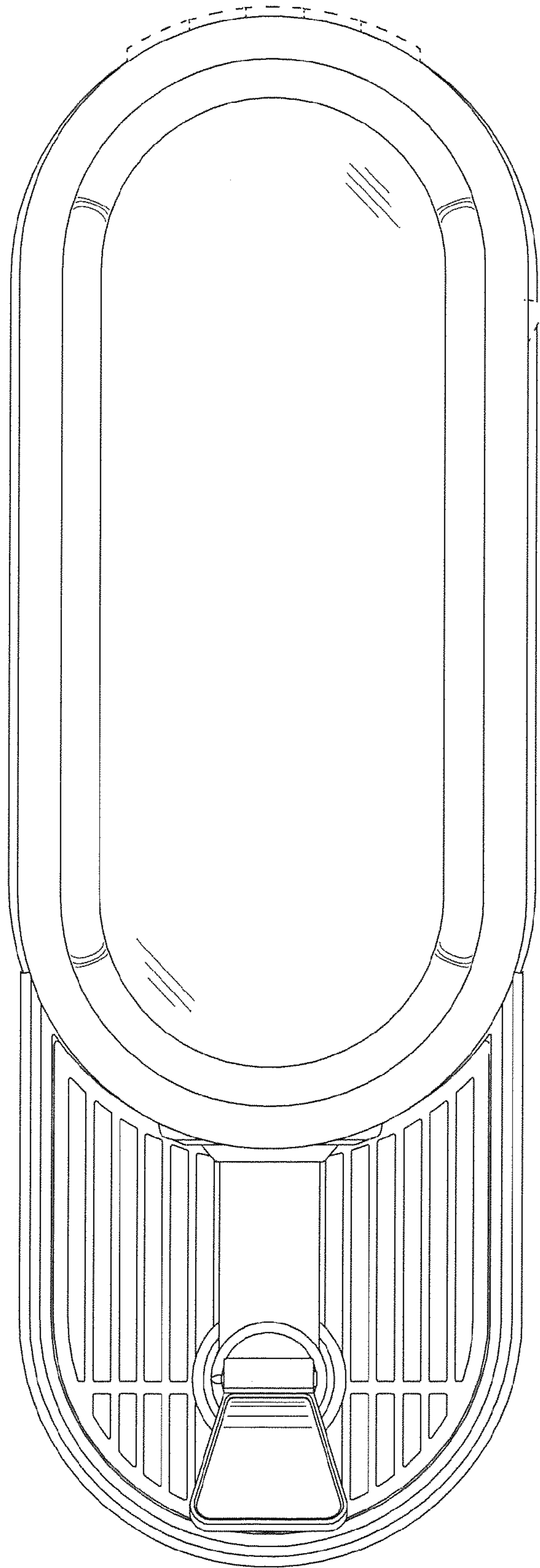


FIG. 6