

US00D702475S

(12) **United States Design Patent**
Dalton et al.

(10) **Patent No.:** **US D702,475 S**
(45) **Date of Patent:** **** Apr. 15, 2014**

- (54) **CLEAR DISPENSING TOWER**
- (71) Applicants: **Jeffrey T. Dalton**, Menlo Park, CA
(US); **Kim M. Reeves**, Menlo Park, CA
(US)
- (72) Inventors: **Jeffrey T. Dalton**, Menlo Park, CA
(US); **Kim M. Reeves**, Menlo Park, CA
(US)

D495,914 S *	9/2004	Drolette et al.	D7/306
D495,916 S *	9/2004	Zhu	D7/309
D588,852 S *	3/2009	Stein	D7/301
D638,245 S *	5/2011	Platter	D7/306
D640,891 S *	7/2011	Smith	D7/307
D644,471 S *	9/2011	Fiori	D7/306
D650,625 S *	12/2011	Fiori	D7/306
D652,668 S *	1/2012	Wang	D7/306
D668,903 S *	10/2012	Walton et al.	D7/306
D677,102 S *	3/2013	Walton et al.	D7/306

* cited by examiner

(**) Term: **14 Years**

Primary Examiner — Marianne Pandozzi

(21) Appl. No.: **29/439,381**

(74) *Attorney, Agent, or Firm* — Richard S Erbe

(22) Filed: **Dec. 10, 2012**

(57) **CLAIM**

(51) **LOC (10) Cl.** **07-01**

The ornamental design for a clear dispensing tower, as shown described.

(52) **U.S. Cl.**

DESCRIPTION

USPC **D7/306; D7/313**

(58) **Field of Classification Search**

USPC D7/306–308, 311, 313, 301, 300, 305;
220/720, 281, 714; 222/146.6, 146.1,
222/129.1; D9/636, 638; D25/6

See application file for complete search history.

FIG. 1 is a perspective view of our clear dispensing tower;
FIG. 2 is a rear elevational view of our clear dispensing tower;
FIG. 3 is a front elevational view of our clear dispensing tower;

FIG. 4 is a left side elevational view of our clear dispensing tower, the ride side view being a mirror image of this view;
FIG. 5 is a top view of our clear dispensing tower; and,
FIG. 6 is a bottom view of our clear dispensing tower.

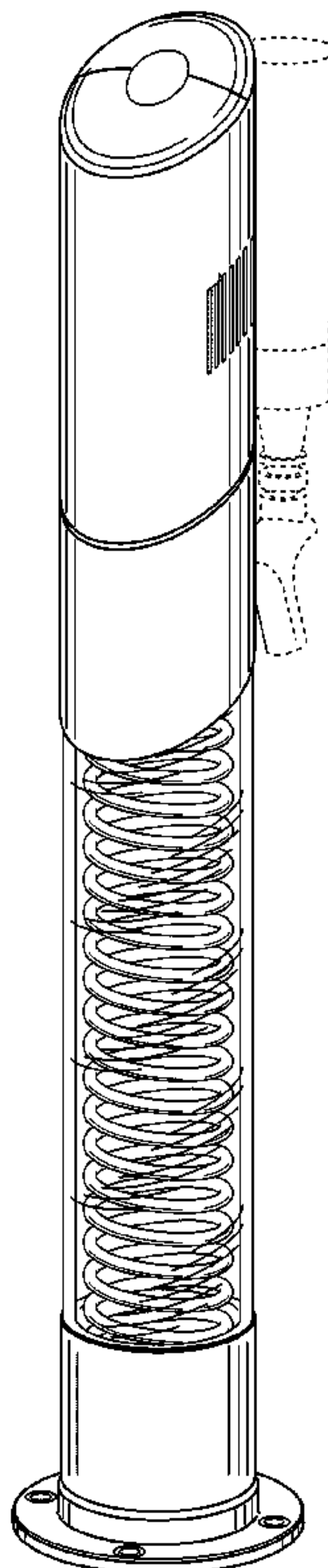
The broken line showing is for environmental purposes only and forms no part of the claimed design.

(56) **References Cited**

U.S. PATENT DOCUMENTS

D197,765 S *	3/1964	Lott et al.	D25/6
4,494,600 A *	1/1985	DeLau	165/132
D423,862 S *	5/2000	Mravlja et al.	D7/306
D482,227 S *	11/2003	Walton	D7/306

1 Claim, 2 Drawing Sheets



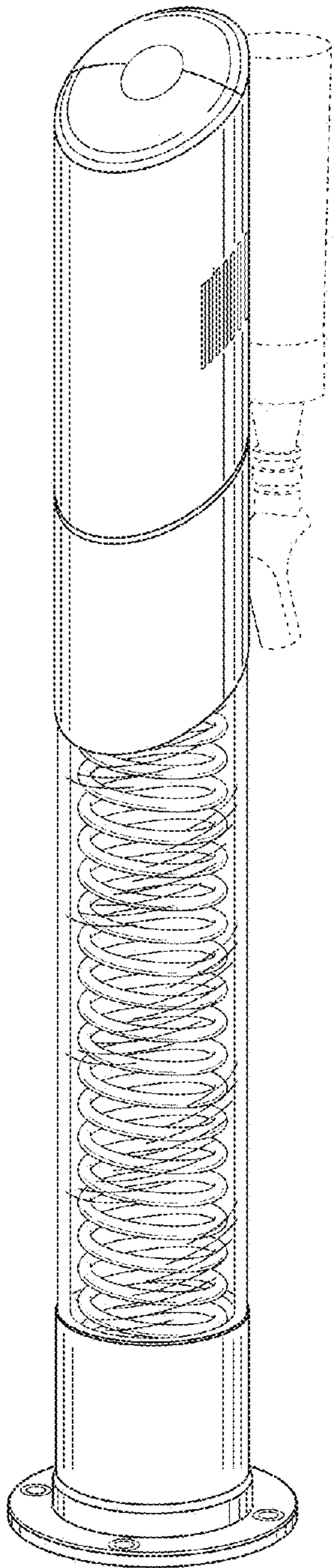


FIG. 1

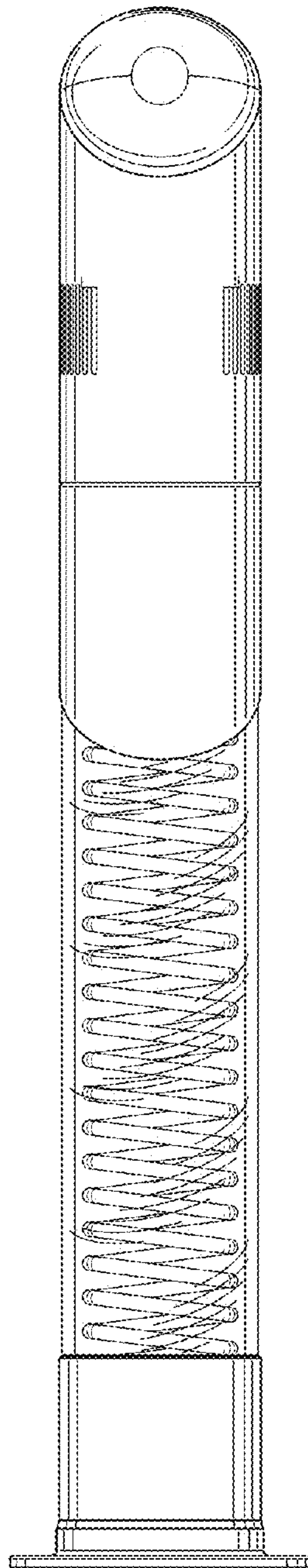


FIG. 2

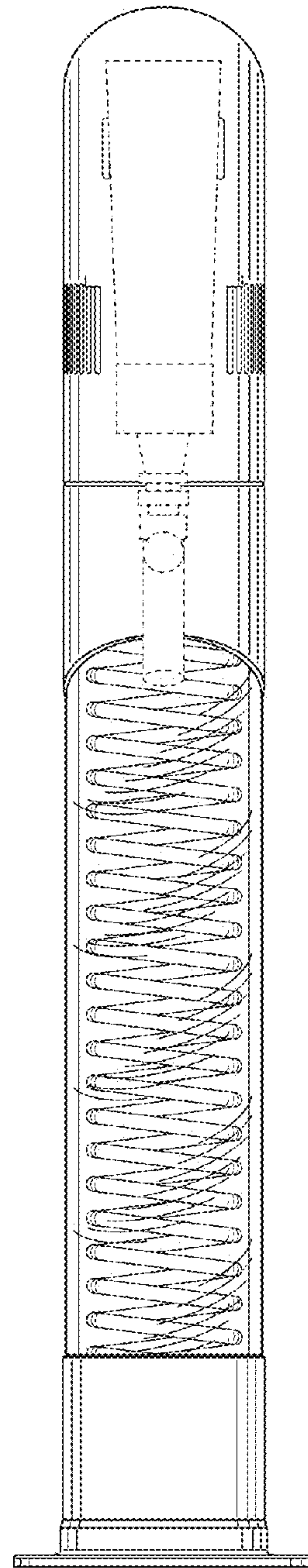


FIG. 3

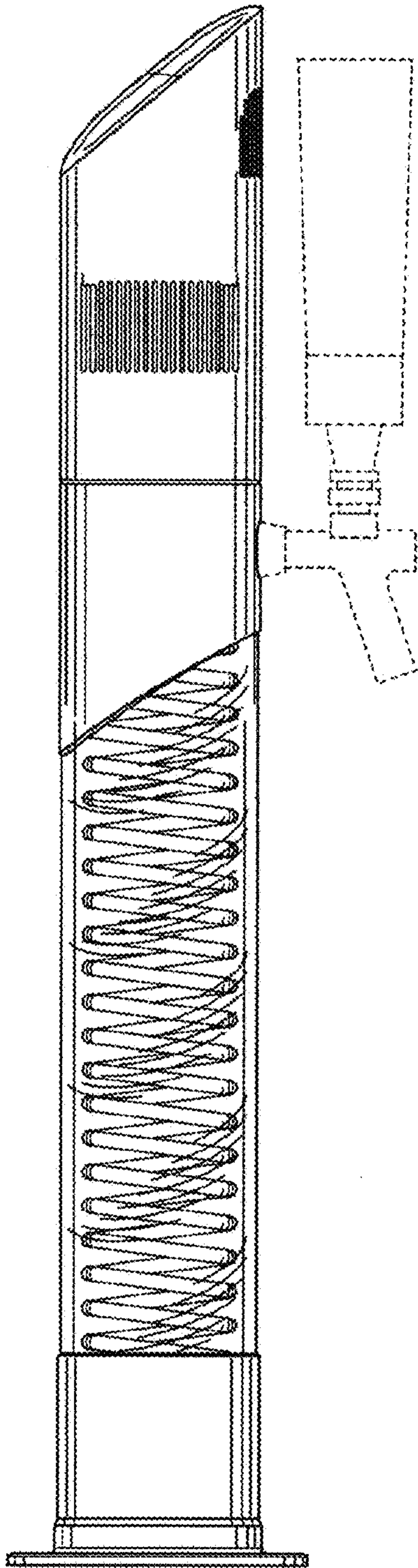


FIG. 4

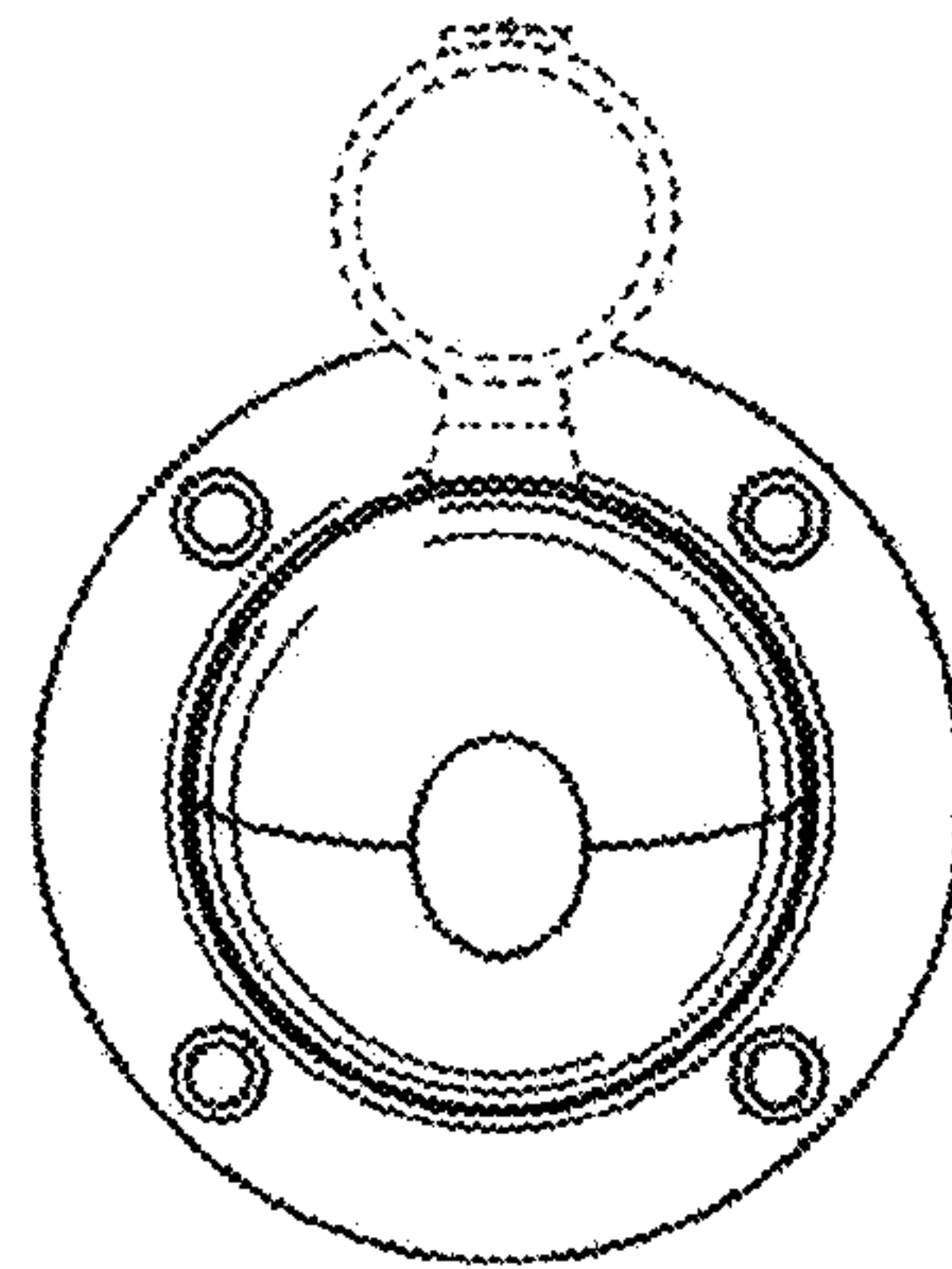


FIG. 5

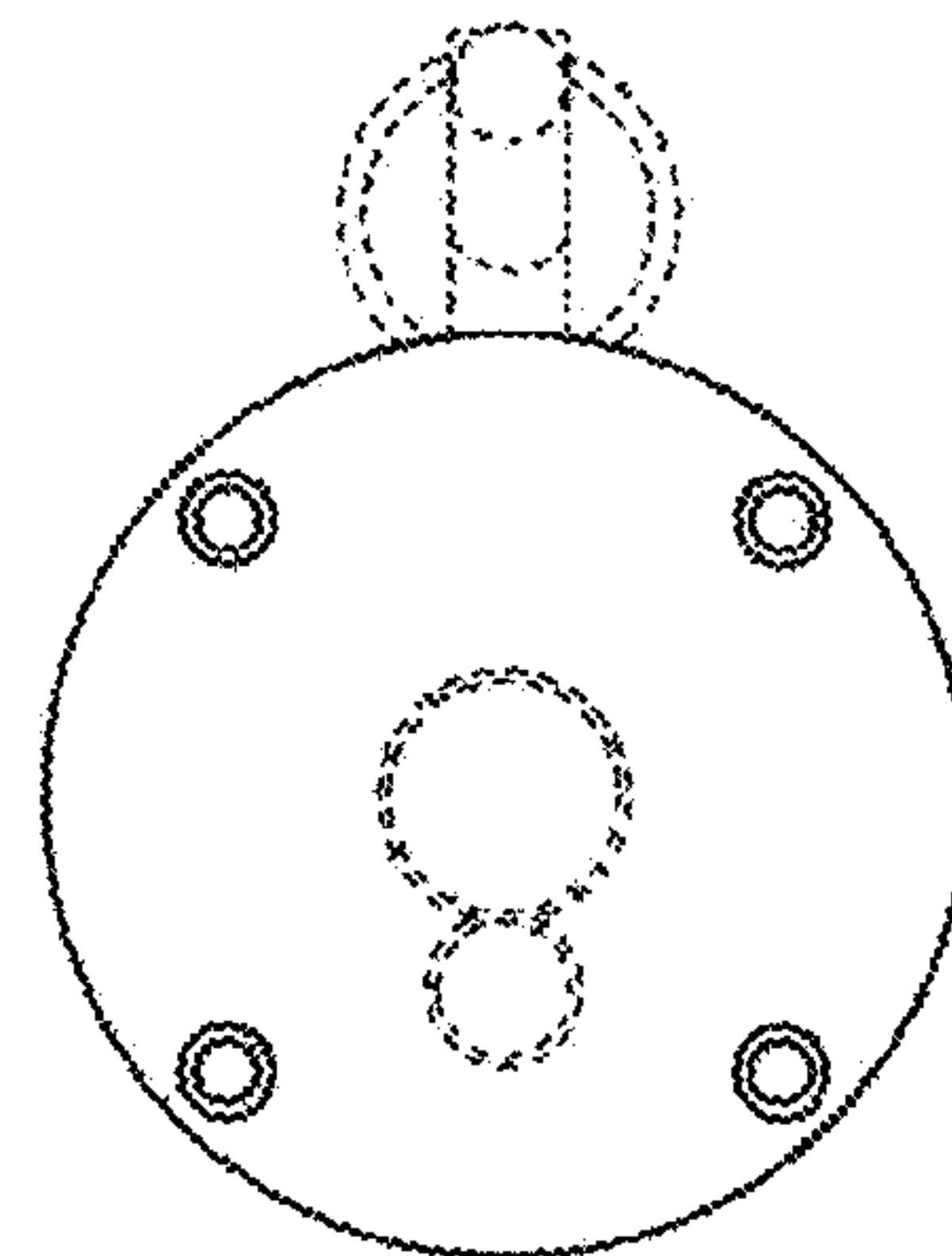


FIG. 6