



US00D702474S

(12) **United States Design Patent**  
**Scherer et al.**

(10) **Patent No.:** **US D702,474 S**  
(45) **Date of Patent:** **\*\* Apr. 15, 2014**

(54) **SHAKER**

(56)

**References Cited**

(71) Applicants: **Eugen Michael Scherer**, Vienna (AT);  
**Tino Kahler**, Vienna (AT)

(72) Inventors: **Eugen Michael Scherer**, Vienna (AT);  
**Tino Kahler**, Vienna (AT)

(\*\*) Term: **14 Years**

(21) Appl. No.: **29/448,911**

(22) Filed: **Mar. 14, 2013**

(30) **Foreign Application Priority Data**

Sep. 17, 2012 (EM) ..... 002104240-0001

(51) **LOC (10) Cl.** ..... **07-01**

(52) **U.S. Cl.**  
USPC ..... **D7/300.1; D7/511; D7/510; D7/507**

(58) **Field of Classification Search**  
USPC ..... D7/510, 511, 509, 523, 608, 316, 317,  
D7/300.1, 376, 378, 412, 507, 532;  
366/130, 247; 220/703, 592.16,  
220/592.17, 739, 715, 713; 99/287;  
D23/209, 207; 210/205; D9/524, 520,  
D9/538, 557, 447; 215/309

See application file for complete search history.

U.S. PATENT DOCUMENTS

3,512,806	A	*	5/1970	Fullmer et al.	.....	285/124.4
D369,275	S	*	4/1996	Anton	.....	D7/513
D431,158	S	*	9/2000	Schwab	.....	D7/510
D480,776	S	*	10/2003	Faulk et al.	.....	D21/789
D521,863	S	*	5/2006	Davis et al.	.....	D9/447
D542,139	S	*	5/2007	Welter	.....	D9/524
D555,428	S	*	11/2007	Tulett	.....	D7/510
D574,237	S	*	8/2008	Yates, III	.....	D9/447
D586,183	S	*	2/2009	Junkel	.....	D7/511
D653,492	S	*	2/2012	Enghard	.....	D7/300.1
D663,038	S	*	7/2012	Enghard	.....	D24/197
D673,814	S	*	1/2013	Honein et al.	.....	D7/590
D683,187	S	*	5/2013	Gold et al.	.....	D7/510
D688,520	S	*	8/2013	Lin	.....	D7/507
D689,739	S	*	9/2013	Schmitt	.....	D7/513
D692,276	S	*	10/2013	Cetera et al.	.....	D7/510
D693,177	S	*	11/2013	Tollman	.....	D7/534

\* cited by examiner

*Primary Examiner* — Marianne Pandozzi

(74) *Attorney, Agent, or Firm* — Andrew Wilford

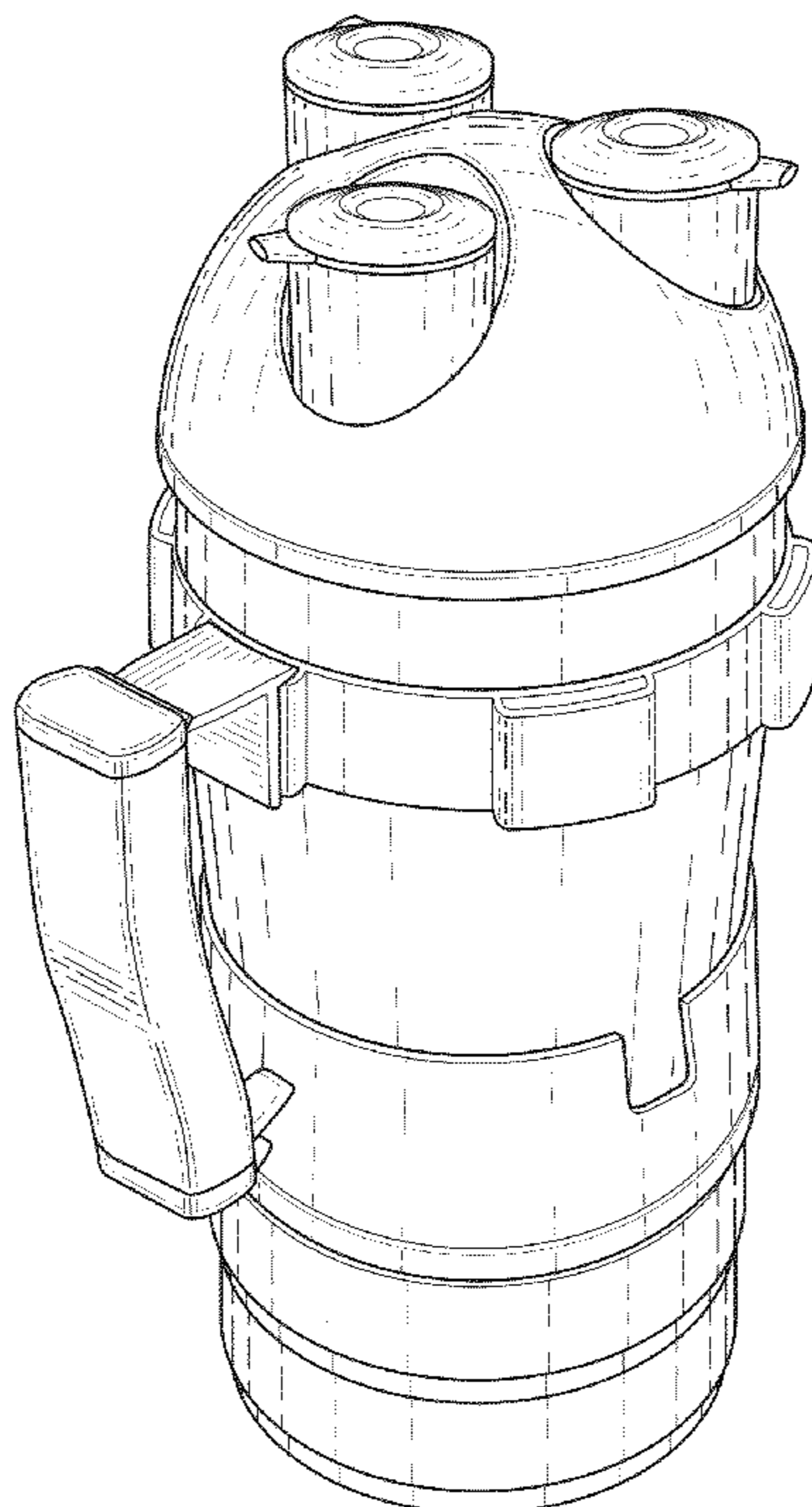
(57) **CLAIM**

The ornamental design for a shaker, as shown and described.

**DESCRIPTION**

FIG. 1 is a perspective view of the shaker according to the invention with the cover closed;  
FIG. 2 is a perspective view of the shaker with the cover open;  
and,  
FIG. 3 is an exploded perspective view of a shaker with the cover in open position.

**1 Claim, 3 Drawing Sheets**



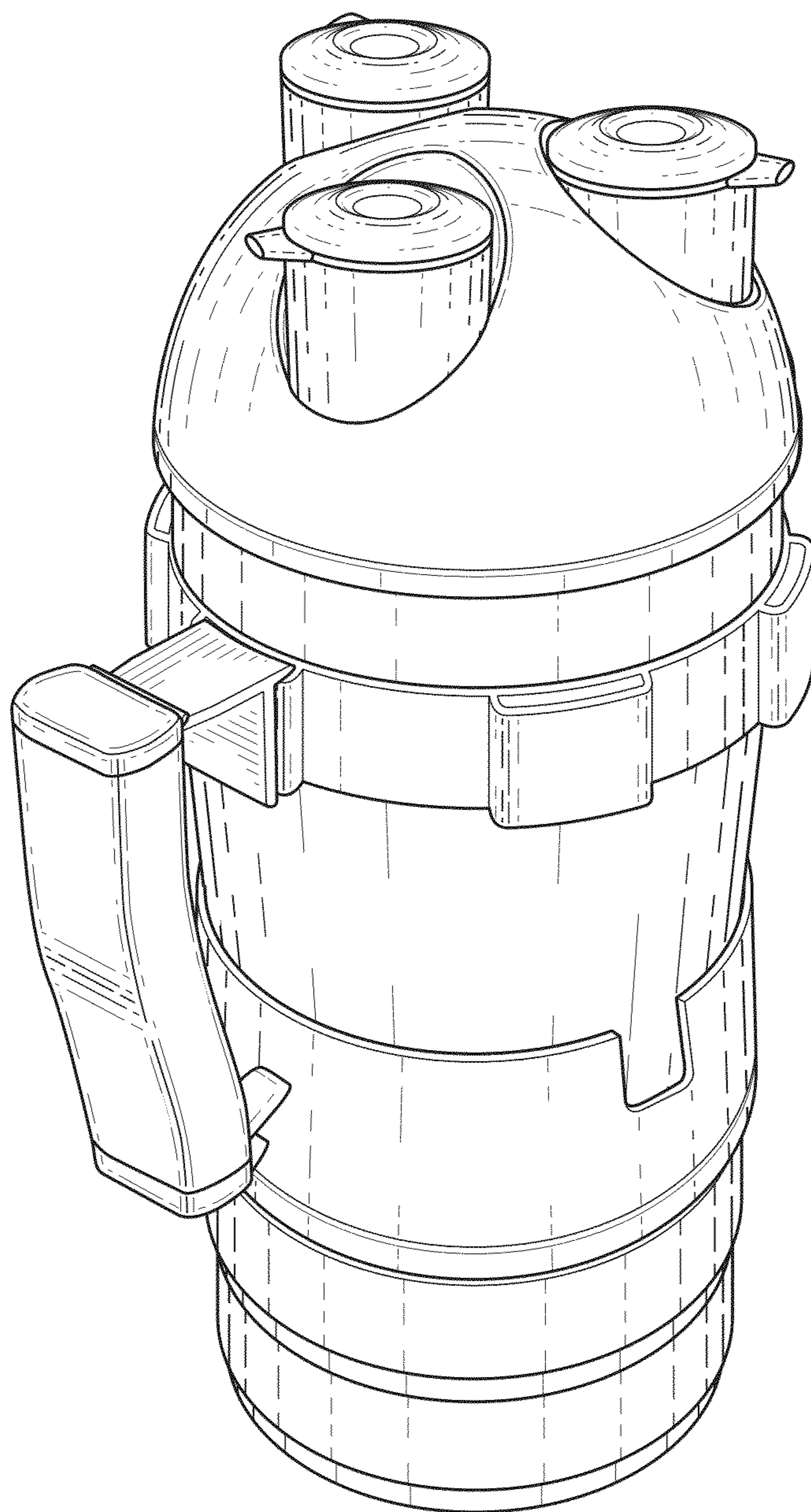


FIG. 1

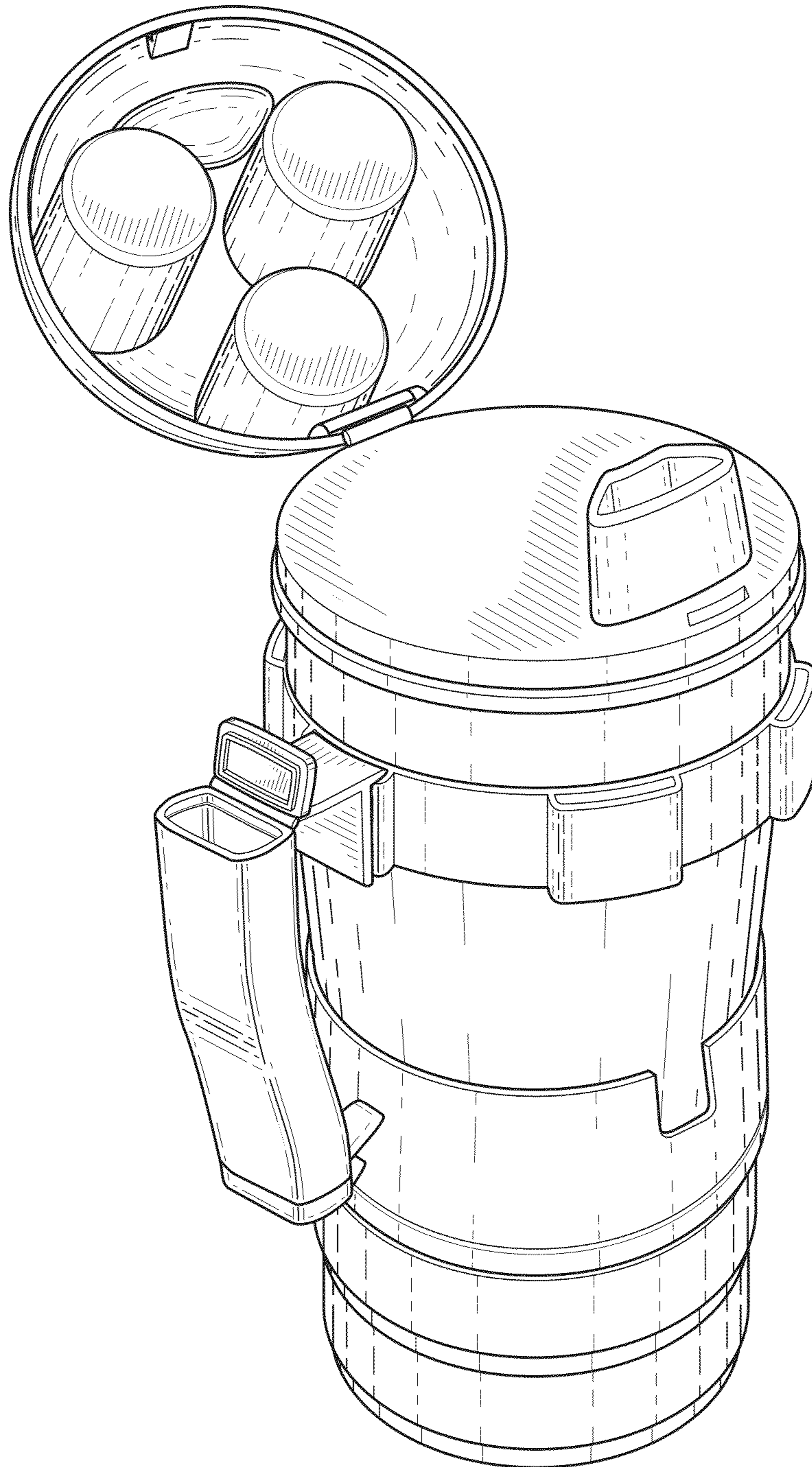


FIG. 2

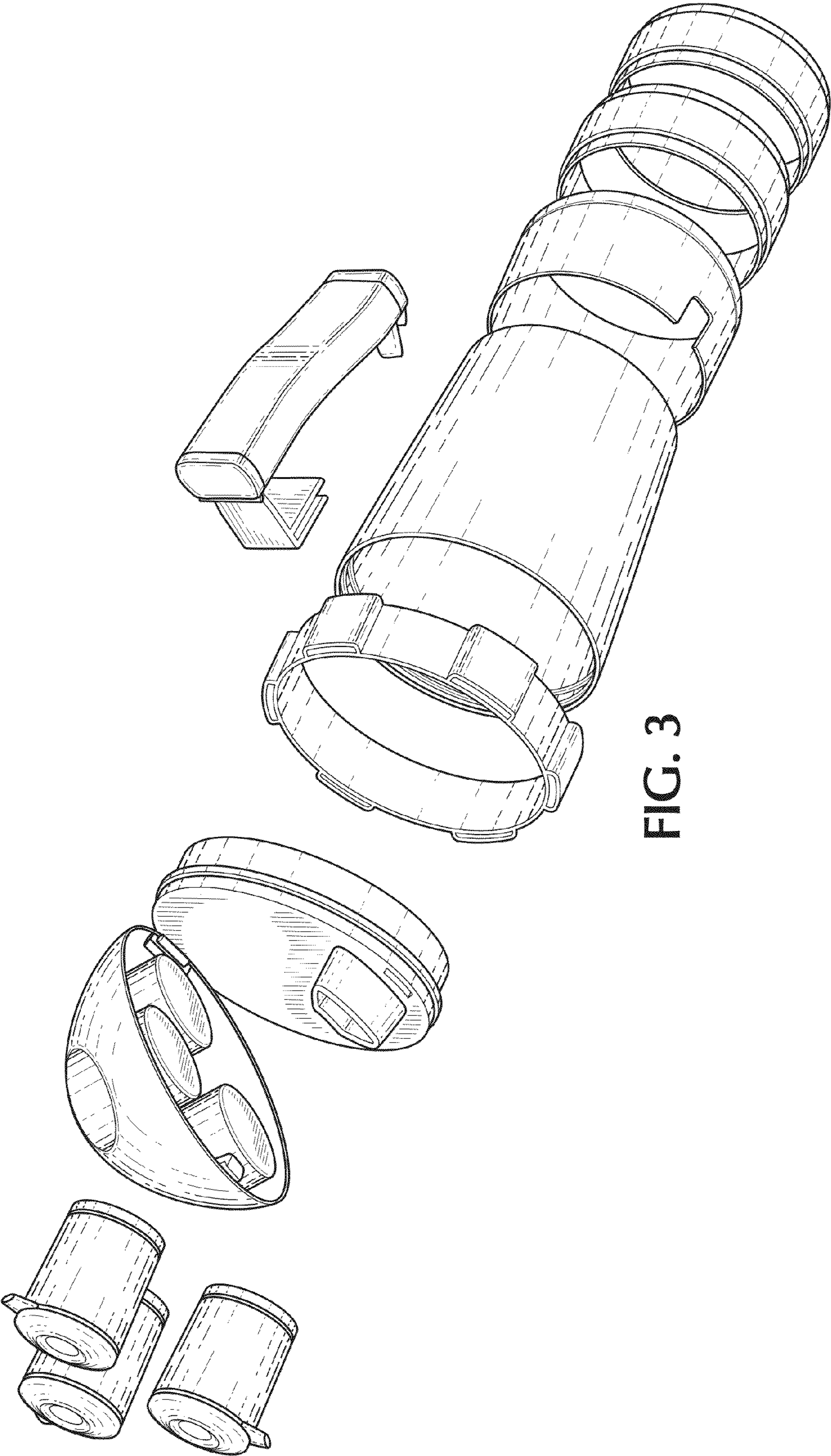


FIG. 3