



US00D702472S

(12) **United States Design Patent**
Litt

(10) **Patent No.:** **US D702,472 S**
(45) **Date of Patent:** **** Apr. 15, 2014**

- (54) **BED FOOTBOARD**
- (71) Applicant: **Kevin Litt**, Los Angeles, CA (US)
- (72) Inventor: **Kevin Litt**, Los Angeles, CA (US)
- (73) Assignee: **Amini Innovation Corporation**, Pico Rivera, CA (US)
- (**) Term: **14 Years**
- (21) Appl. No.: **29/446,404**
- (22) Filed: **Feb. 22, 2013**
- (51) **LOC (10) Cl.** **06-06**
- (52) **U.S. Cl.**
USPC **D6/718.13**
- (58) **Field of Classification Search**
USPC D6/382, 389, 392-395, 718, 718.13,
D6/718.2, 718.22; 5/53.1, 907, 279.1, 280,
5/281
See application file for complete search history.

- D445,592 S 7/2001 O'Hare et al.
- D449,939 S 11/2001 Vaaler
- D450,198 S 11/2001 McDaniel et al.
- D455,909 S 4/2002 Wistehuff, Sr.
- D457,346 S 5/2002 O'Hare
- D459,120 S 6/2002 Stanton
- D460,288 S 7/2002 Vaaler
- D463,157 S 9/2002 Lenger
- D468,552 S 1/2003 O'Hare
- D468,929 S 1/2003 Jones et al.
- D470,329 S 2/2003 Vaaler
- D470,330 S 2/2003 Vaaler
- D470,331 S 2/2003 Stanton
- D470,681 S 2/2003 O'Hare
- D471,732 S 3/2003 Warren et al.
- D472,068 S 3/2003 Risdon et al.
- D473,063 S 4/2003 Pappas
- D473,064 S 4/2003 O'Hare
- D474,917 S 5/2003 Risdon
- D474,918 S 5/2003 Tobin, Jr.
- D475,218 S 6/2003 Schmitt
- D475,224 S 6/2003 Paus

(Continued)

OTHER PUBLICATIONS

America's Oak Furniture, Schiffer, 1988, Bed, p. 90.

(Continued)

Primary Examiner — Janice Seeger

(74) *Attorney, Agent, or Firm* — Cisko & Thomas, LLP

(57)

CLAIM

I claim the ornamental design for a bed footboard, as shown and described.

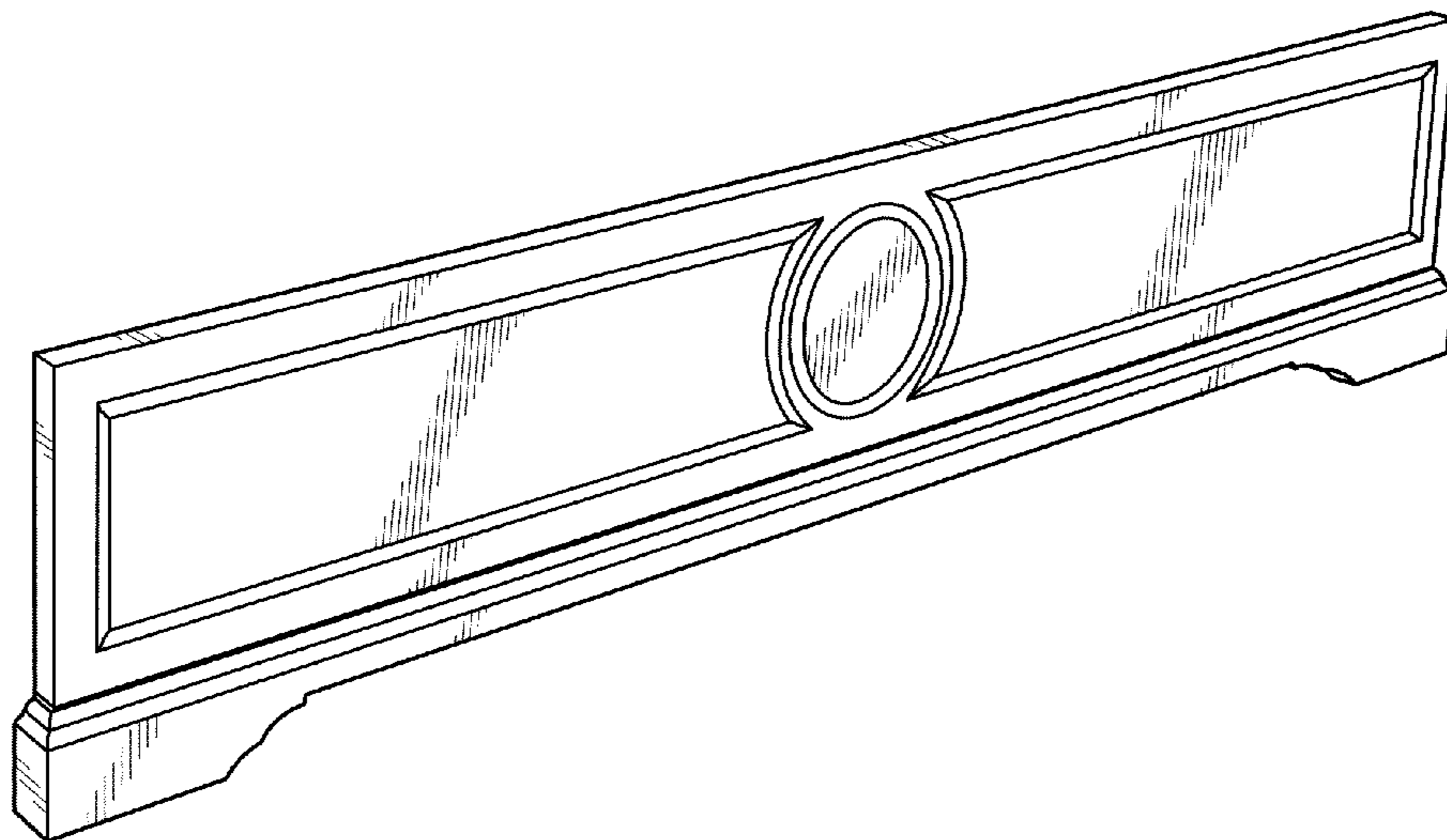
DESCRIPTION

FIG. 1 is a perspective view of my bed footboard; FIG. 2 is a front view thereof; and, FIG. 3 is a left side view of my bed footboard, the left side (not shown) is a mirror image thereof.

1 Claim, 2 Drawing Sheets

(56) **References Cited**
U.S. PATENT DOCUMENTS

- 182,544 A 9/1876 Arnaud
- 1,087,573 A 2/1914 Dautrich
- D63,662 S * 12/1923 Schmitt D6/393
- D90,256 S 7/1933 McClure
- 2,624,891 A 1/1953 Katzoff
- 2,745,212 A 5/1956 Guzzino
- 4,080,674 A 3/1978 Fredman et al.
- D364,511 S * 11/1995 Berry et al. D6/393
- D389,663 S 1/1998 Paus
- D400,034 S 10/1998 Zaidman
- D402,833 S 12/1998 Hazen et al.
- D404,217 S 1/1999 Zaidman et al.
- D441,980 S 5/2001 McDaniel et al.
- D443,432 S 6/2001 Vaaler
- D443,445 S 6/2001 O'Hare et al.
- D443,446 S 6/2001 O'Hare et al.
- D445,284 S 7/2001 Chen



(56)

References Cited

U.S. PATENT DOCUMENTS

D475,862 S 6/2003 McDaniel et al.
 D484,329 S 12/2003 Risdon et al.
 D487,199 S 3/2004 Schmitt
 D487,363 S 3/2004 Schmitt
 D493,976 S 8/2004 Bergelin
 D497,749 S 11/2004 Mohundro
 D499,910 S 12/2004 Mohundro
 D499,912 S 12/2004 Mohundro
 D508,626 S 8/2005 Schmitt
 D518,321 S 4/2006 Schmitt
 D518,660 S 4/2006 Domack et al.
 D519,308 S 4/2006 Schmitt
 D527,925 S 9/2006 Domack et al.
 D528,834 S 9/2006 Schmitt
 D531,841 S 11/2006 Schmitt
 D531,842 S 11/2006 Schmitt
 D535,135 S 1/2007 Schmitt
 D535,136 S 1/2007 Schmitt
 D535,507 S 1/2007 Schmitt
 D535,508 S 1/2007 Schmitt
 D536,558 S 2/2007 Schmitt
 D536,913 S 2/2007 Schmitt
 D536,914 S 2/2007 Schmitt
 D538,087 S 3/2007 Schmitt
 D543,050 S 5/2007 Mohundro
 D554,398 S 11/2007 Donner

D561,505 S 2/2008 Schmitt
 D562,601 S 2/2008 Schmitt
 D564,777 S 3/2008 Mohundro
 D566,999 S 4/2008 Thompson
 D570,627 S 6/2008 Thompson
 D572,052 S 7/2008 Schmitt
 D575,076 S 8/2008 Bacon et al.
 D585,679 S 2/2009 Domack et al.
 D593,781 S 6/2009 Schmitt
 D601,832 S 10/2009 Schmitt

OTHER PUBLICATIONS

Furniture Today, Genoa Collection Bed, p. 14, Oct. 11, 1999.
 Furniture Today, Source Mktg. Bed, p. 192, Oct. 14, 2002.
 Amini Innovation Corp., Monte Carlo Collection, #53000 Series, 2001, 1 page.
 Amini Innovation Corp., La Francaise Collection, #50000 Series, Sep. 11, 2002, 3 pages.
 Amini Innovation Corp., Royal Oak Collection, #31000 Series, Sep. 11, 2002, 1 page.
 Amini Innovation Corp., Torino Collection, #56000 Series, Apr. 18, 2002, 1 page.
 Ethan Allen circular, Legacy Collection Iron Hoop Bed, p. 5, 1996.
 Amini Innovation Corp., Paradisio Collection, #52000 Series, 2003, 1 page.
 Amini Innovation Corp., Trevi Collection, Sep. 20, 2004, 2 pages.

* cited by examiner

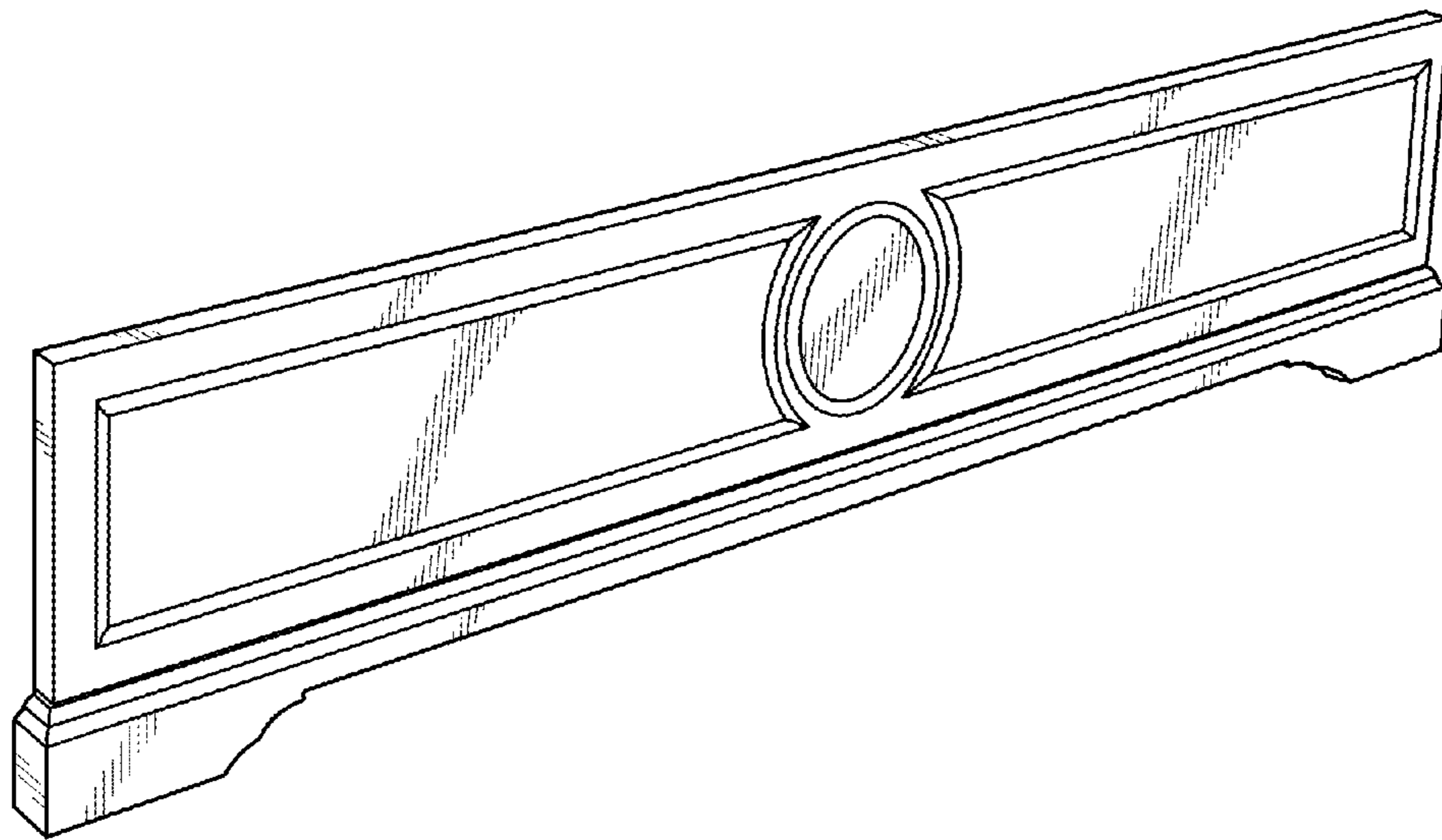


FIG. 1

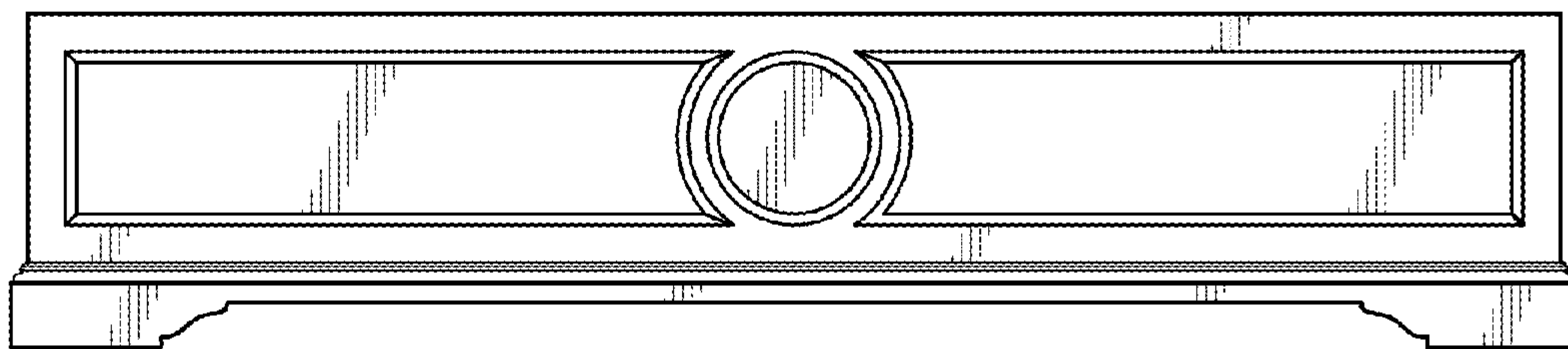


FIG. 2



FIG. 3