



US00D702471S

(12) **United States Design Patent**  
**Vacca**

(10) **Patent No.:** **US D702,471 S**  
(45) **Date of Patent:** **\*\* Apr. 15, 2014**

- (54) **TOWEL RETENTION DEVICE**
- (71) Applicant: **Christopher Vacca**, Portland, OR (US)
- (72) Inventor: **Christopher Vacca**, Portland, OR (US)
- (\*\*) Term: **14 Years**
- (21) Appl. No.: **29/441,392**
- (22) Filed: **Jan. 4, 2013**
- (51) **LOC (10) Cl.** ..... **06-01**
- (52) **U.S. Cl.**  
USPC ..... **D6/716.4**
- (58) **Field of Classification Search**  
USPC ..... D6/334-336, 367, 368, 371-373, 374,  
D6/375, 376, 379, 380, 513, 601, 611, 716,  
D6/716.1, 716.2, 716.3, 716.4;  
297/188.06, 218.1, 219.1, 220, 228.1,  
297/391, 396, 397; D3/328  
See application file for complete search history.

5,655,813	A *	8/1997	Kirkpatrick	.....	297/220
5,829,832	A *	11/1998	Molee et al.	.....	297/397
D404,954	S *	2/1999	Spaeth	.....	D6/601
D411,354	S *	6/1999	Wilson	.....	D3/328
6,575,533	B1 *	6/2003	Kicos	.....	297/397
D677,482	S *	3/2013	Spann	.....	D6/368
2004/0026966	A1 *	2/2004	Albersen	.....	297/220

\* cited by examiner

*Primary Examiner* — Mimosa De  
(74) *Attorney, Agent, or Firm* — Mark S. Hubert

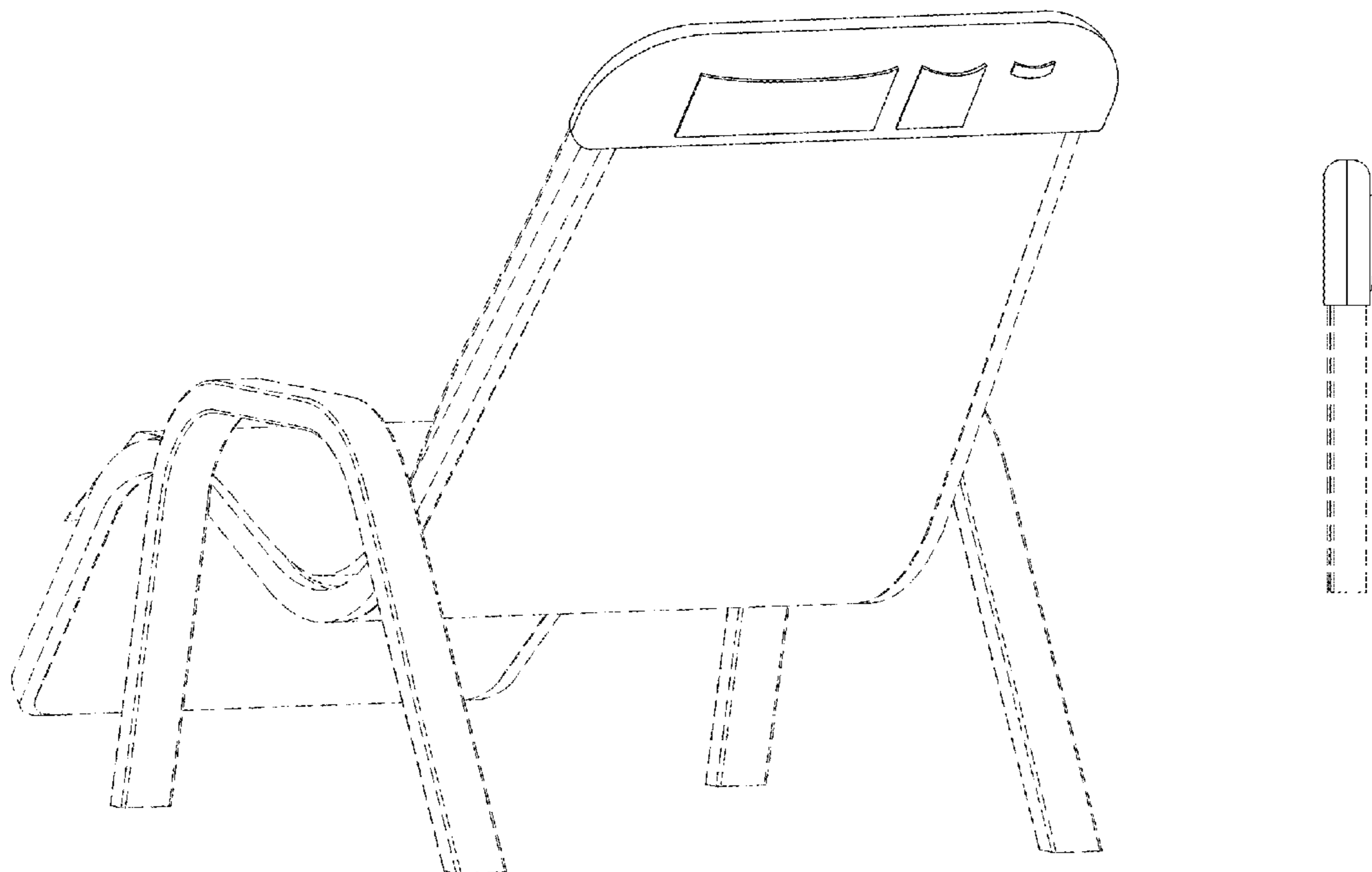
(57) **CLAIM**  
The ornamental design for the towel retention device, as shown and described.

**DESCRIPTION**

FIG. 1 is a front perspective view of the towel retention;  
FIG. 2 is a top view of the towel retention device;  
FIG. 3 is a back view of the towel retention device;  
FIG. 4 is a left-side view of towel retention device;  
FIG. 5 is a front view of the towel retention device;  
FIG. 6 is a right-side view of the towel retention device; and,  
FIG. 7 is a bottom view of the towel retention device.  
The broken lines shown in FIGS. 1-7 represent an environmental configuration and form no part of the claimed design.

**1 Claim, 4 Drawing Sheets**

- (56) **References Cited**  
U.S. PATENT DOCUMENTS  
D175,596 S \* 9/1955 Hampshire ..... D6/335  
D213,364 S \* 2/1969 Roberts ..... D6/611  
D309,227 S \* 7/1990 Popiolkowski ..... D6/601  
D369,498 S \* 5/1996 Newcomb ..... D6/513  
D378,476 S \* 3/1997 Spaeth ..... D6/367



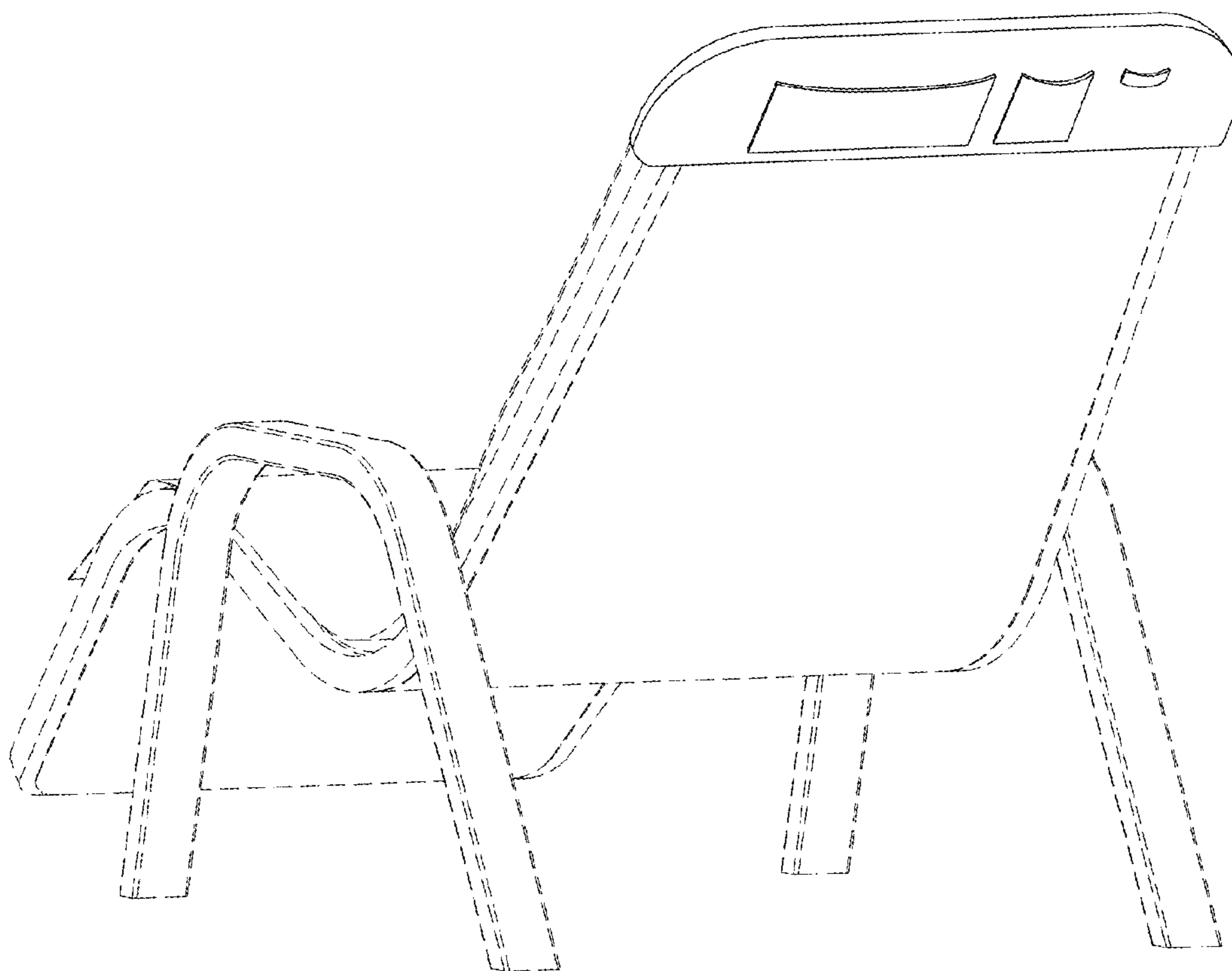


FIG. 1

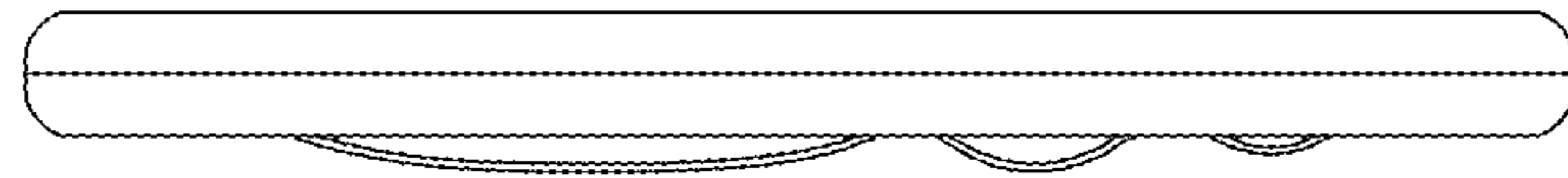


FIG. 2

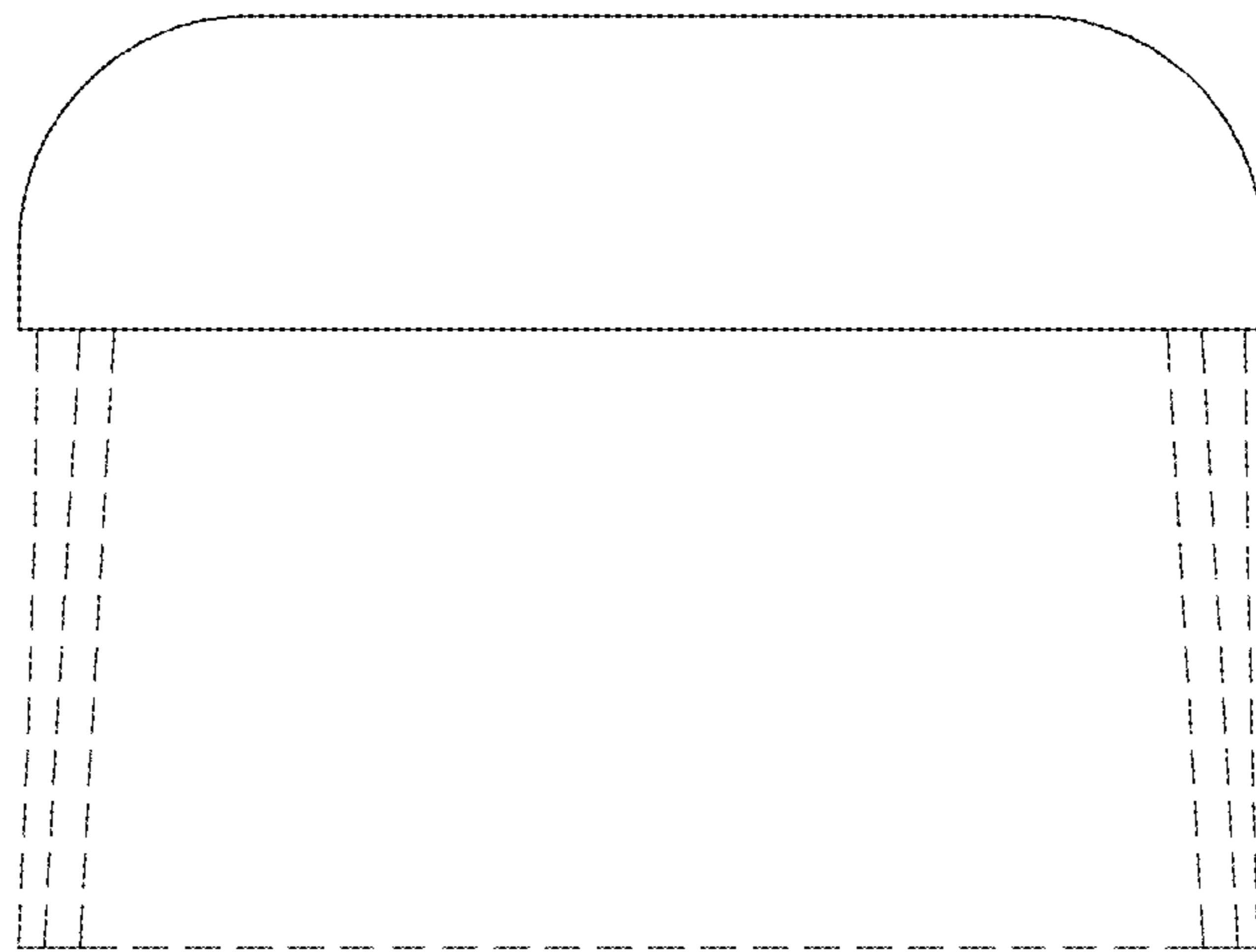


FIG. 3

FIG. 4

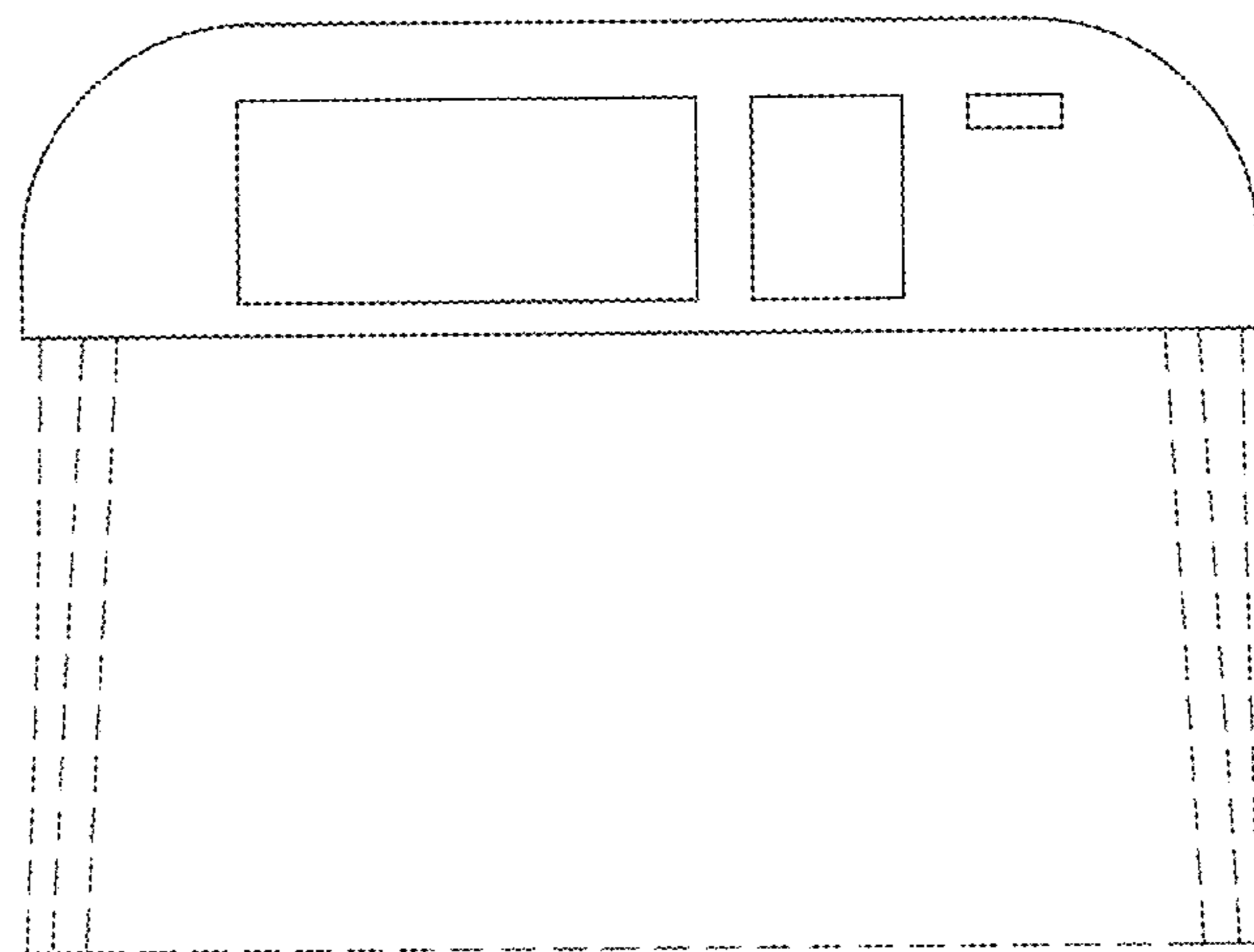
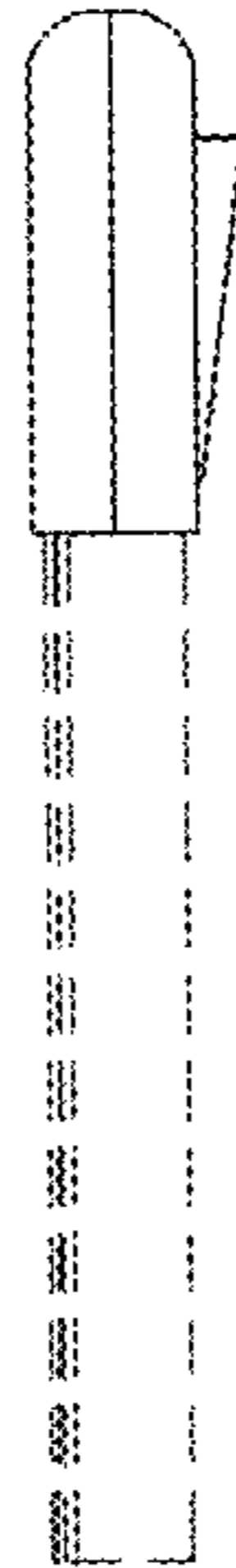


FIG. 5

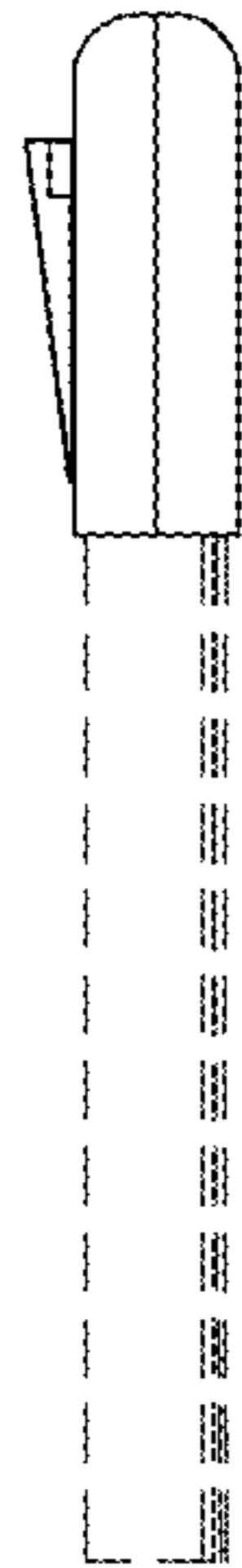


FIG. 6

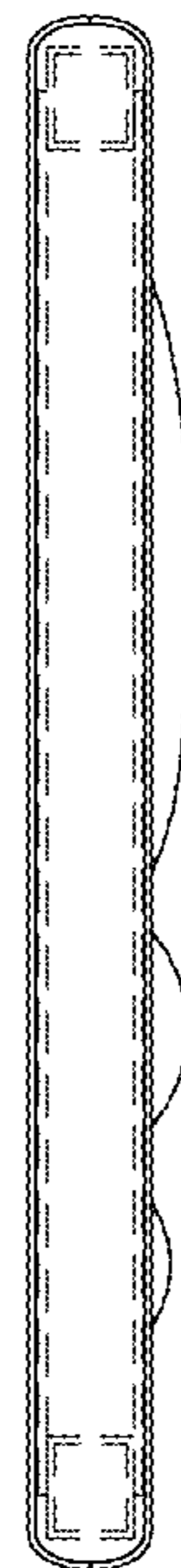


FIG. 7