



US00D702470S

(12) **United States Design Patent**
Lai et al.

(10) **Patent No.:** **US D702,470 S**
(45) **Date of Patent:** **** Apr. 15, 2014**

- (54) **CHAIR ARMREST**
- (71) Applicants: **Yu-Shan Lai**, Chiayi (TW); **Yen-Chuan Lai**, Chiayi (TW)
- (72) Inventors: **Yu-Shan Lai**, Chiayi (TW); **Yen-Chuan Lai**, Chiayi (TW)
- (**) Term: **14 Years**
- (21) Appl. No.: **29/444,936**
- (22) Filed: **Feb. 6, 2013**
- (51) **LOC (10) Cl.** **06-01**
- (52) **U.S. Cl.**
USPC **D6/716.2**
- (58) **Field of Classification Search**
USPC D6/334–336, 344–349, 360–381, 388,
D6/403, 495–502, 601, 716.1–716.3;
297/22, 31, 35, 239, 256.16,
297/284.4–284.5, 291, 297, 302.4, 411.2,
297/411.26–411.29, 411.31–411.37,
297/440.13, 440.15, 451.1, 452.13, 452.19,
297/452.21, 452.27, 452.29, 452.3, 452.41,
297/452.56, 452.64; 361/752;
455/575.1–575.4

See application file for complete search history.

6,948,774	B2 *	9/2005	Maier et al.	297/411.31
D535,131	S *	1/2007	Loew et al.	D6/501
D535,505	S *	1/2007	Cai	D6/501
D535,840	S *	1/2007	Smith et al.	D6/501
D537,280	S *	2/2007	Cai	D6/501
7,201,449	B2 *	4/2007	Tsai	297/411.36
D586,161	S *	2/2009	Tsai	D6/501
7,533,939	B2 *	5/2009	Fookes et al.	297/411.36
D606,345	S *	12/2009	Tsai	D6/501
7,648,207	B2 *	1/2010	Lai	297/411.31
8,254,137	B2 *	8/2012	Wilkolaski et al.	361/752
D670,515	S *	11/2012	Lai et al.	D6/501
D677,953	S *	3/2013	McDonnell	D6/716.3
2002/0070598	A1 *	6/2002	Perl	297/411.35
2003/0030317	A1 *	2/2003	Chen	297/411.35
2003/0178882	A1 *	9/2003	Schmitz et al.	297/411.36
2005/0014538	A1 *	1/2005	Hyun et al.	455/575.4
2006/0250018	A1 *	11/2006	Tsai	297/411.36

* cited by examiner

Primary Examiner — Ricky Pham

(74) *Attorney, Agent, or Firm* — Alan Kamrath; Kamrath IP Lawfirm, P.A.

(57) **CLAIM**

The ornamental design for a chair armrest, as shown and described.

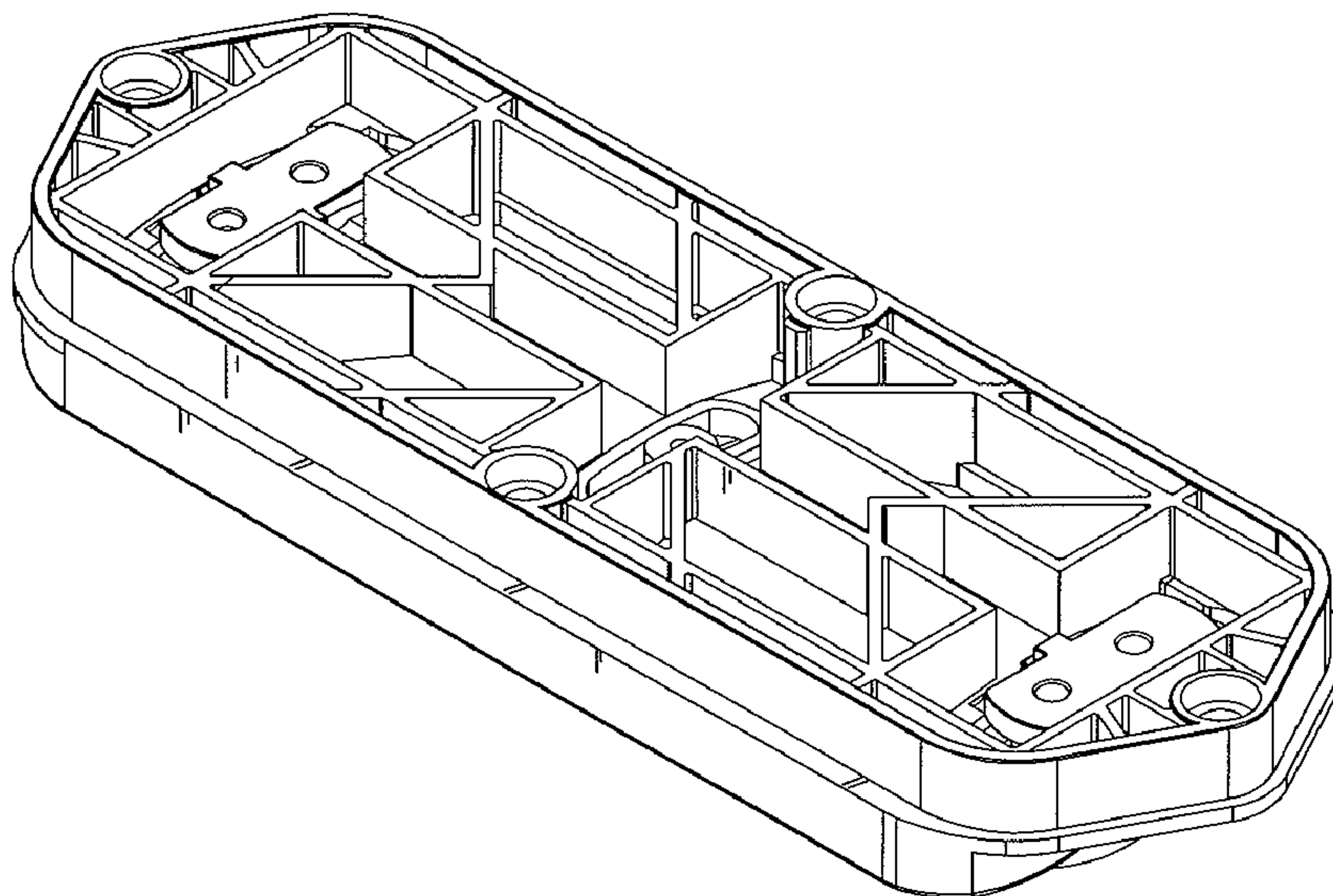
DESCRIPTION

FIG. 1 is a perspective view of a chair armrest showing my design;
 FIG. 2 is a perspective view from the bottom thereof;
 FIG. 3 is a front elevational view thereof;
 FIG. 4 is a rear elevational view thereof;
 FIG. 5 is a left side elevational view thereof;
 FIG. 6 is a right side elevational view thereof;
 FIG. 7 is a top plan view thereof; and,
 FIG. 8 is a bottom plan view thereof.

1 Claim, 7 Drawing Sheets

(56) **References Cited**
U.S. PATENT DOCUMENTS

5,415,459	A *	5/1995	Schultz	297/411.37
5,599,067	A *	2/1997	Schuelke et al.	297/411.35
5,931,537	A *	8/1999	Gollin et al.	297/411.36
6,059,366	A *	5/2000	Hu	297/411.35
6,074,012	A *	6/2000	Wu	297/411.26
D447,654	S *	9/2001	Ho	D6/501
6,619,746	B2 *	9/2003	Roslund et al.	297/411.36
D507,908	S *	8/2005	Koepke et al.	D6/501



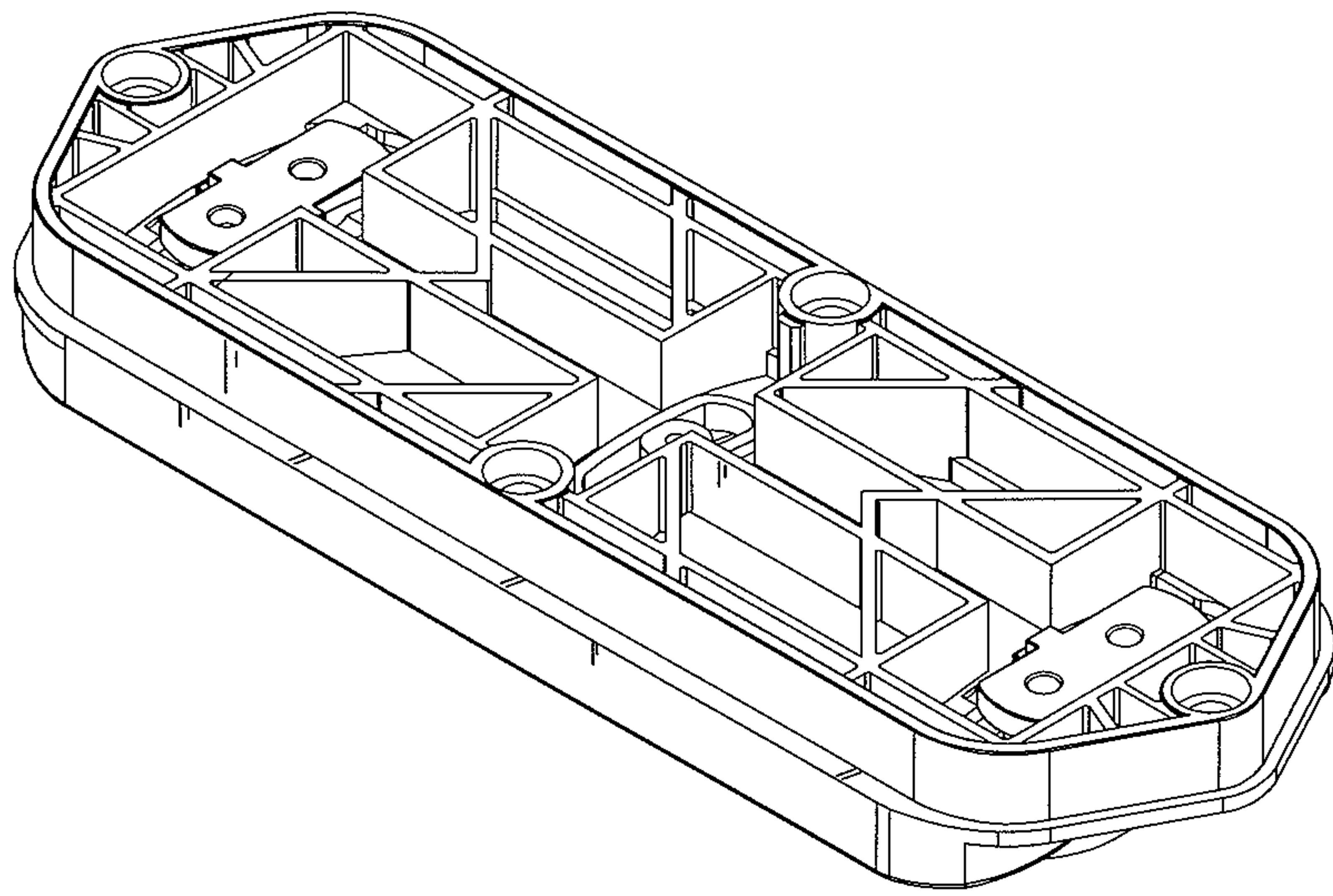


FIG. 1

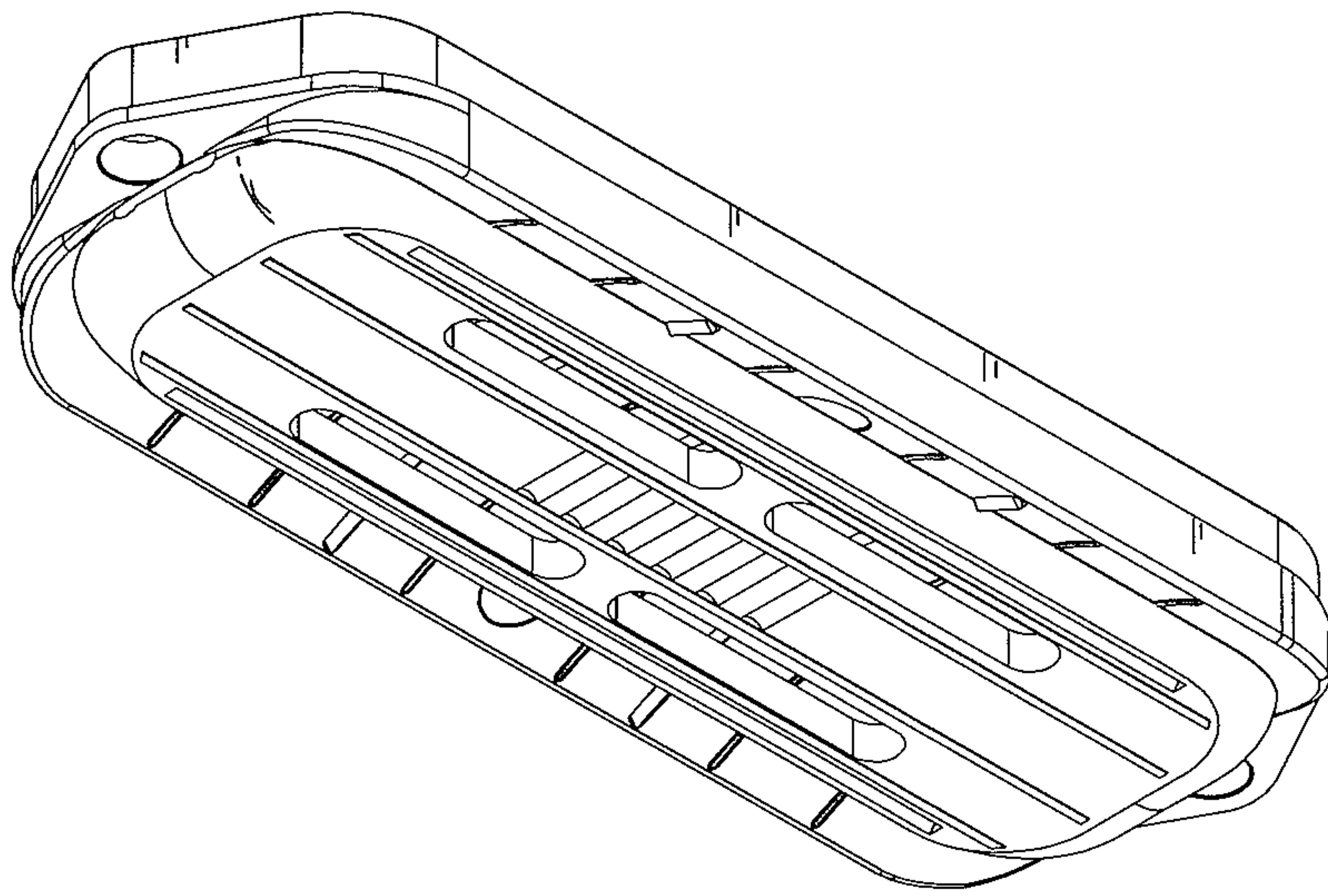


FIG. 2

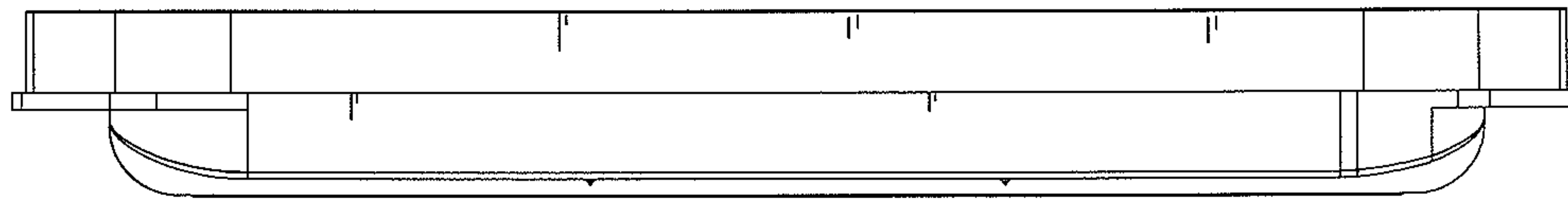


FIG. 3

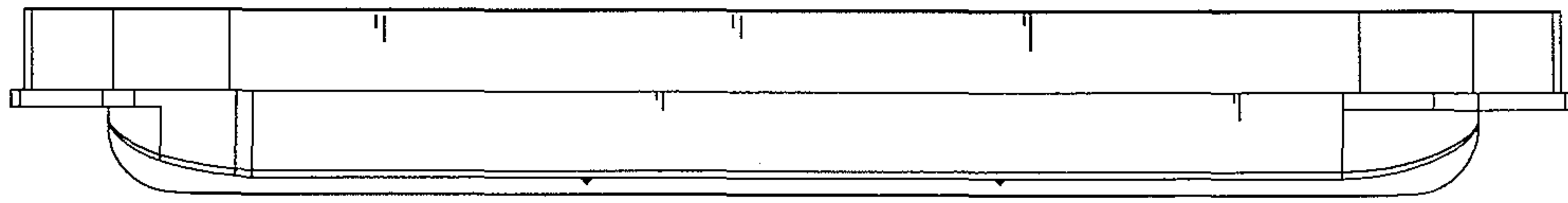


FIG. 4

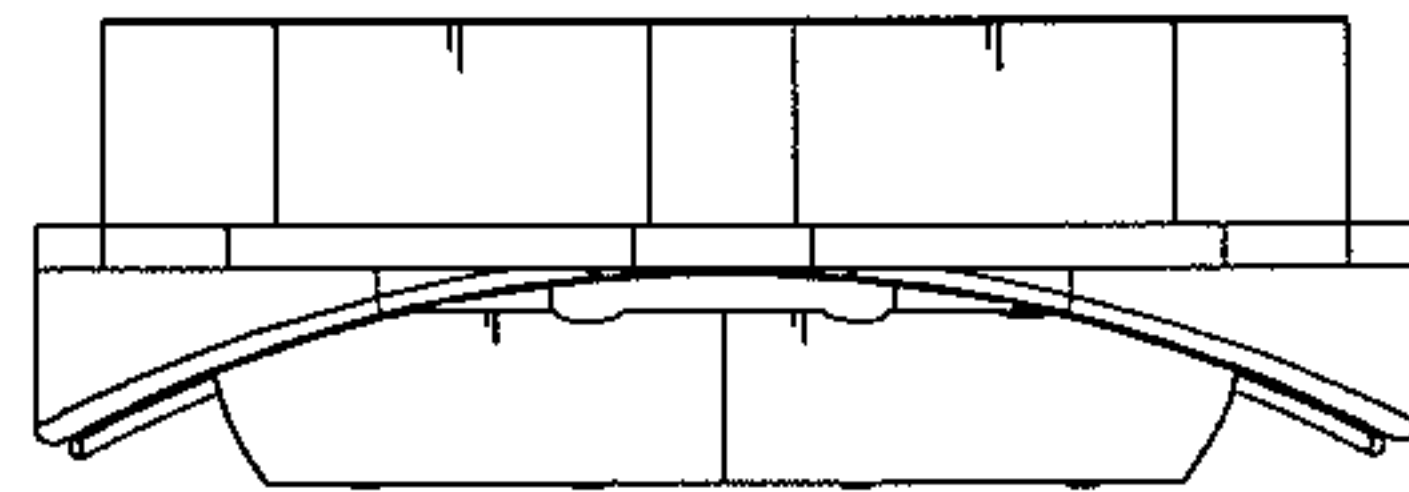


FIG. 5

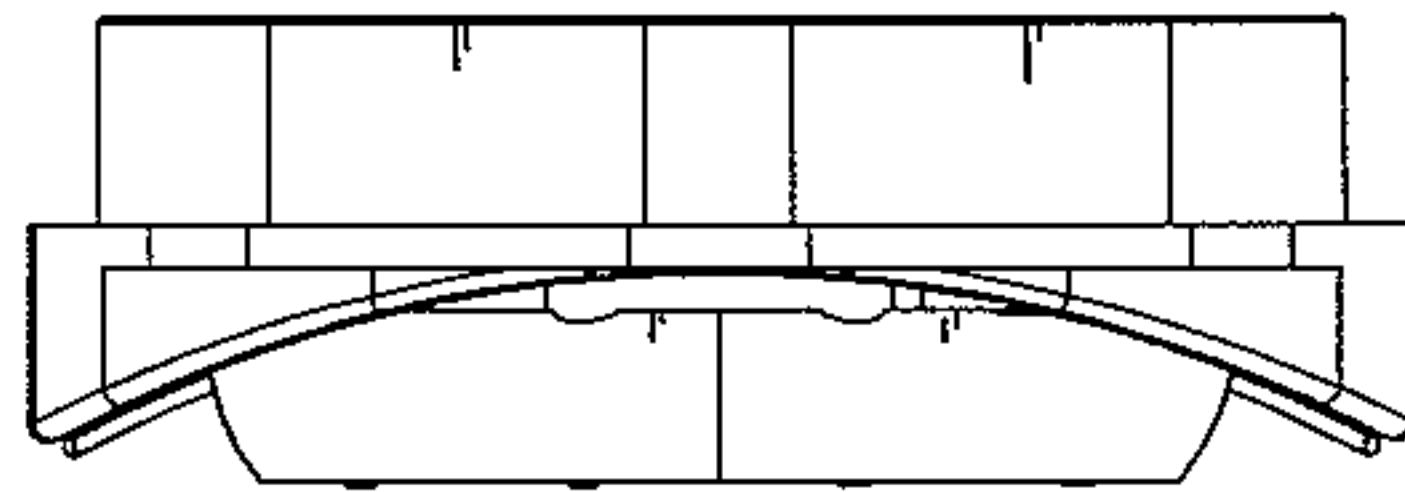


FIG. 6

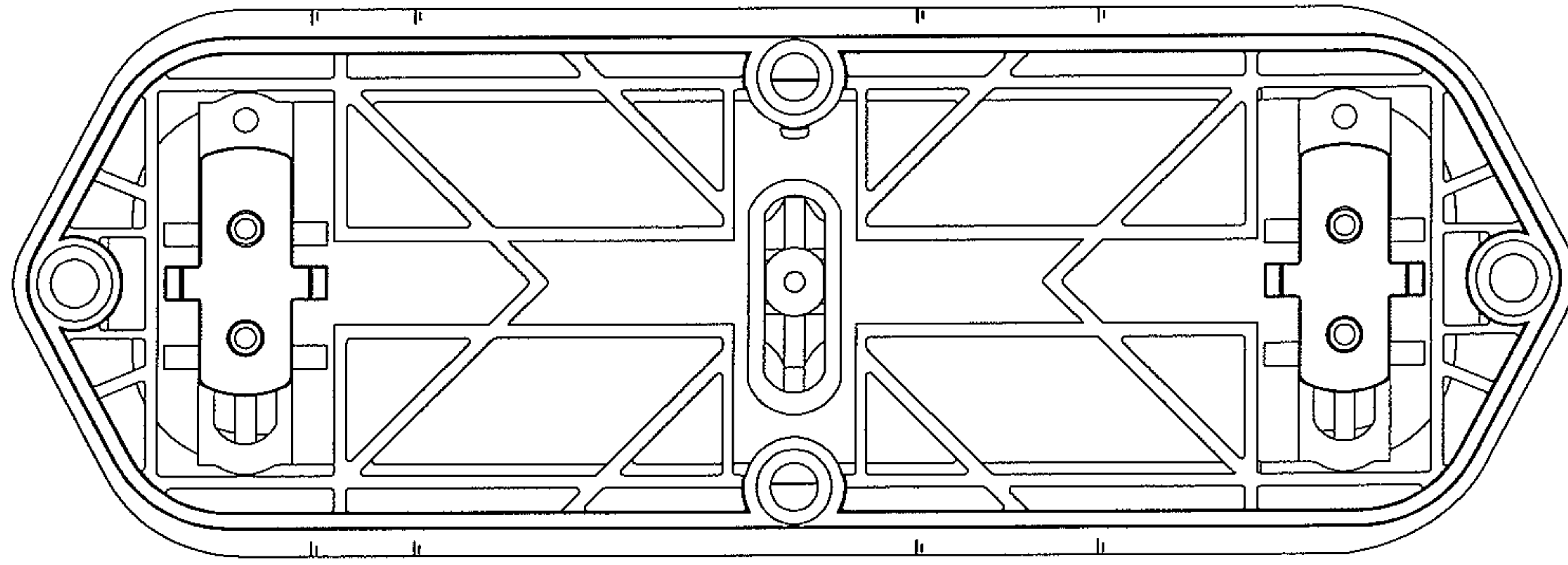


FIG. 7

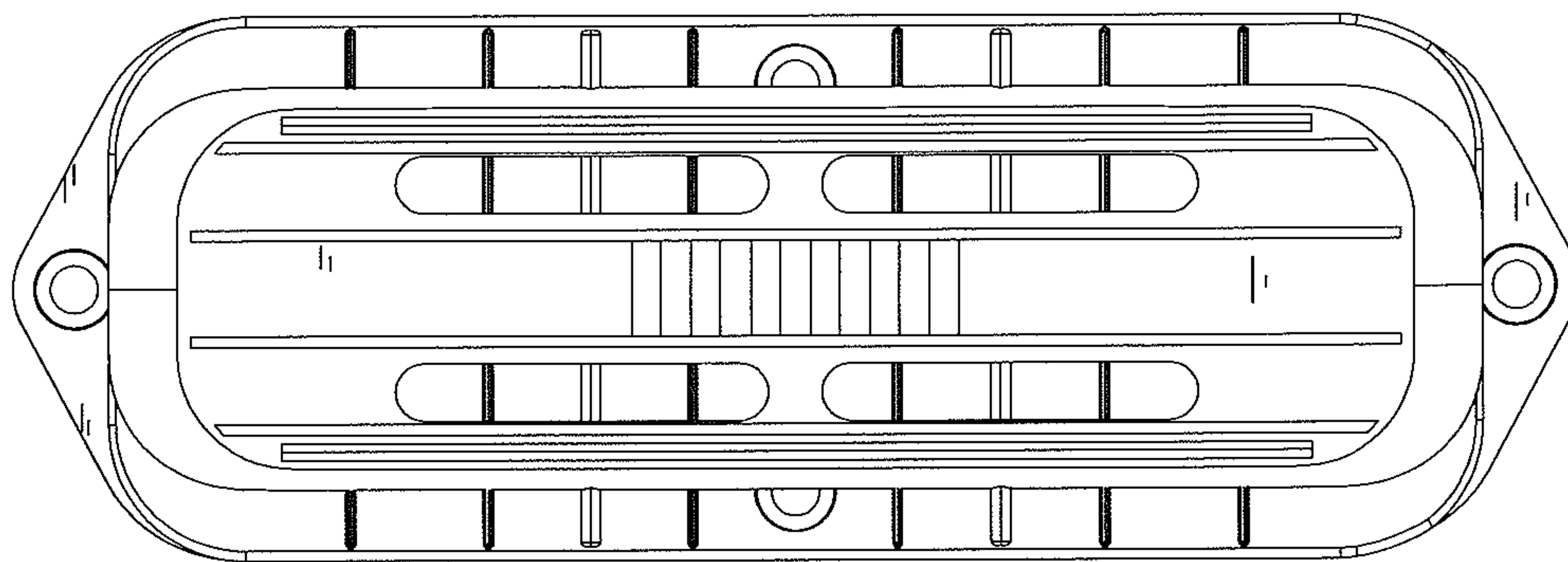


FIG. 8