



US00D702468S

(12) **United States Design Patent**
Pedersen et al.

(10) **Patent No.:** **US D702,468 S**
(45) **Date of Patent:** **** Apr. 15, 2014**

(54) **TABLE BASE**

- (71) Applicant: **Target Brands, Inc.**, Minneapolis, MN (US)
- (72) Inventors: **Sara L. Pedersen**, Minneapolis, MN (US); **Katherine R. Wittenberg**, Saint Paul, MN (US); **Chad M. Bogdan**, Saint Paul, MN (US); **George K. Smithwick**, Blaine, MN (US)
- (73) Assignee: **Target Brands, Inc.**, Minneapolis, MN (US)

(**) Term: **14 Years**

(21) Appl. No.: **29/438,926**

(22) Filed: **Dec. 5, 2012**

(51) **LOC (10) Cl.** **06-06**

(52) **U.S. Cl.**
USPC **D6/708**

(58) **Field of Classification Search**
USPC D6/691, 691.2, 691.8, 691.6, 692, D6/692.4, 708, 708.16; 108/151, 153.1, 108/155, 156, 157.1, 158.12, 161; 248/188, 248/188.1

See application file for complete search history.

(56) **References Cited**

U.S. PATENT DOCUMENTS

D115,285 S *	6/1939	Conkling, Jr.	D6/455
D156,437 S *	12/1949	Kuehne, Jr.	D6/430
D214,672 S	7/1969	Ricca		
D386,332 S *	11/1997	Grosfillex	D6/498
D402,487 S	12/1998	Muller		
D412,257 S	7/1999	Mendoza		
D439,446 S *	3/2001	Harrison	D6/480

OTHER PUBLICATIONS

Agio Charleston Furniture Set, photographs taken at Costco Wholesale Corporation on Feb. 21, 2010, 4 pages.

Just Fine Tables, "Indoor—Outdoor Coffee Table on Heavy Decorative Metal Base," 1 page, http://justfinetables.com/?attachment_id=1415, at least as early as Aug. 2012.
Find n Save, "Waverly Patio Furniture," 1 page, <http://findnsave.rstar.com/Products/ShopKo?catname=Patio+Furniture+%26+Accessories>, at least as early as Aug. 2012.

* cited by examiner

Primary Examiner — Janice Seeger

(74) *Attorney, Agent, or Firm* — Leanne Taveggia Farrell; Westman, Champlin & Koehler, P.A.

(57) **CLAIM**

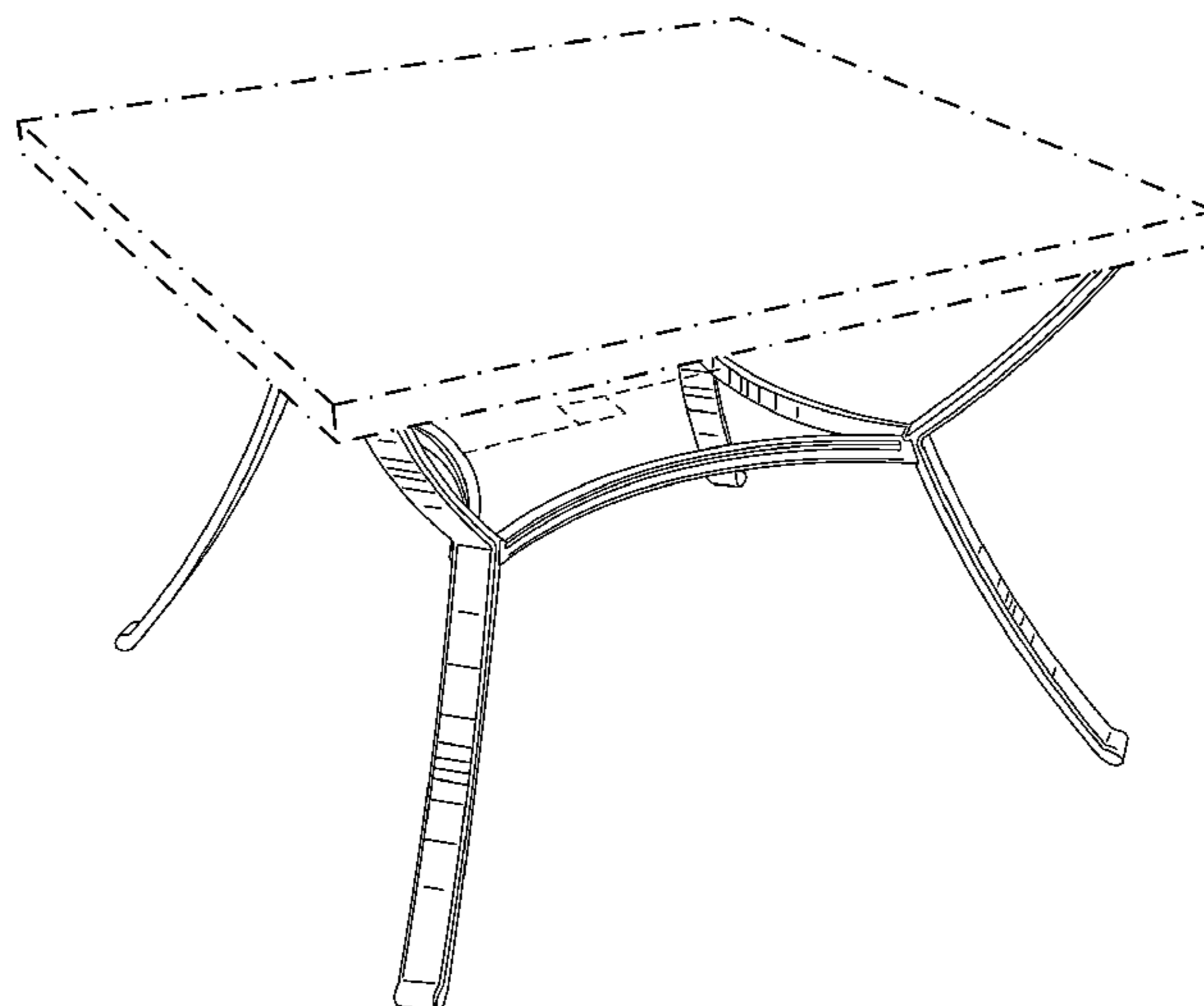
The ornamental design for a table base, as shown and described.

DESCRIPTION

FIG. 1 is a first perspective view of a first embodiment of a table base;
FIG. 2 is a second perspective view thereof;
FIG. 3 is a side view thereof, an opposing side, a front and a rear being identical;
FIG. 4 is a top view thereof;
FIG. 5 is a bottom view thereof;
FIG. 6 is a first perspective view of a second embodiment of a table base;
FIG. 7 is a second perspective view of FIG. 6;
FIG. 8 is a side view of FIG. 6, the opposing side, a front and a rear being identical;
FIG. 9 is a top view of FIG. 6; and,
FIG. 10 is a bottom view of FIG. 6.

The uniform broken lines shown in the drawings are included for purposes of illustrating portions of the table base that form no part of the claimed design; whereas, the non-uniform broken lines shown in the drawings are included for purposes of illustrating environment and form no part of the claimed design.

1 Claim, 10 Drawing Sheets



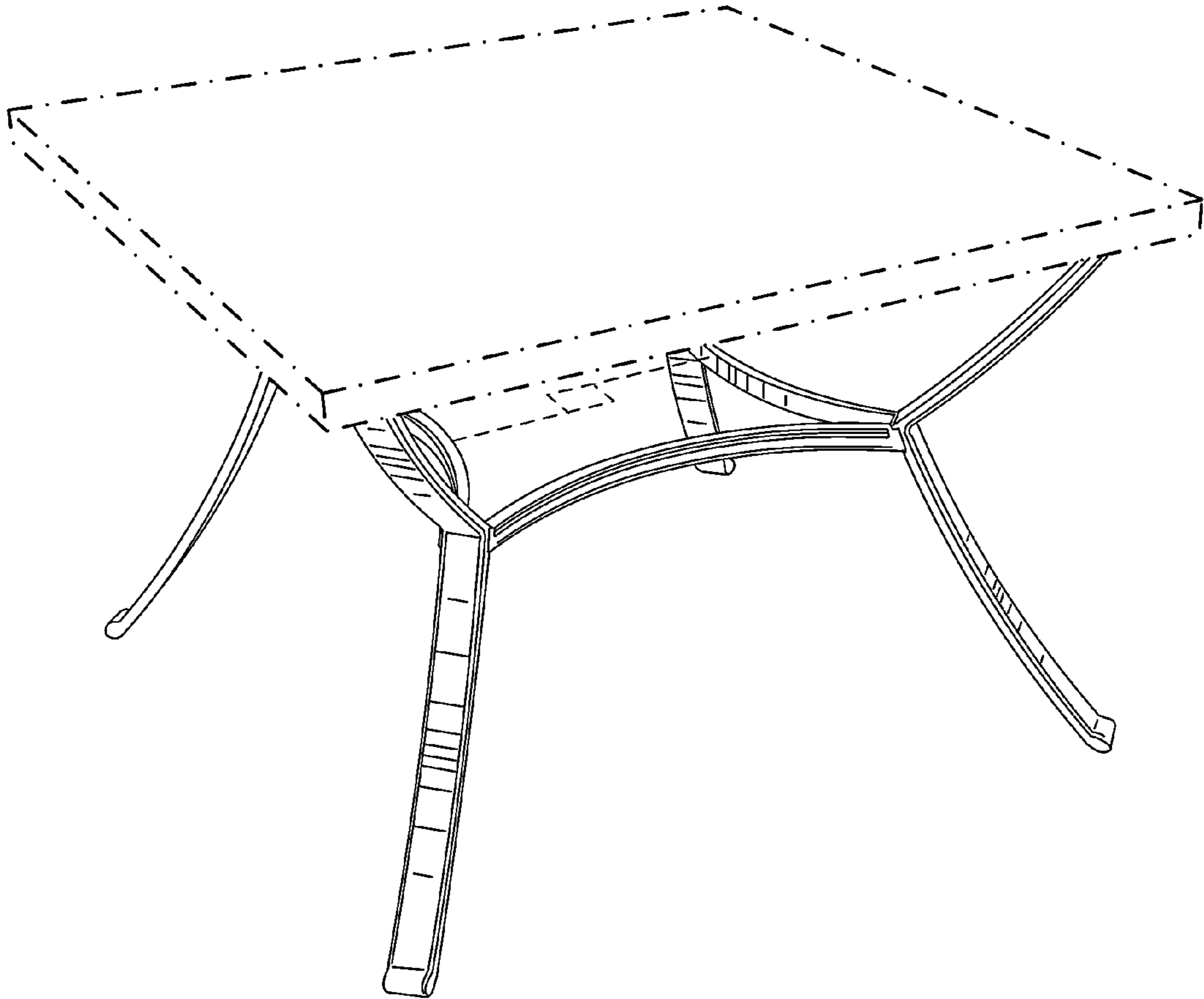


FIG. 1

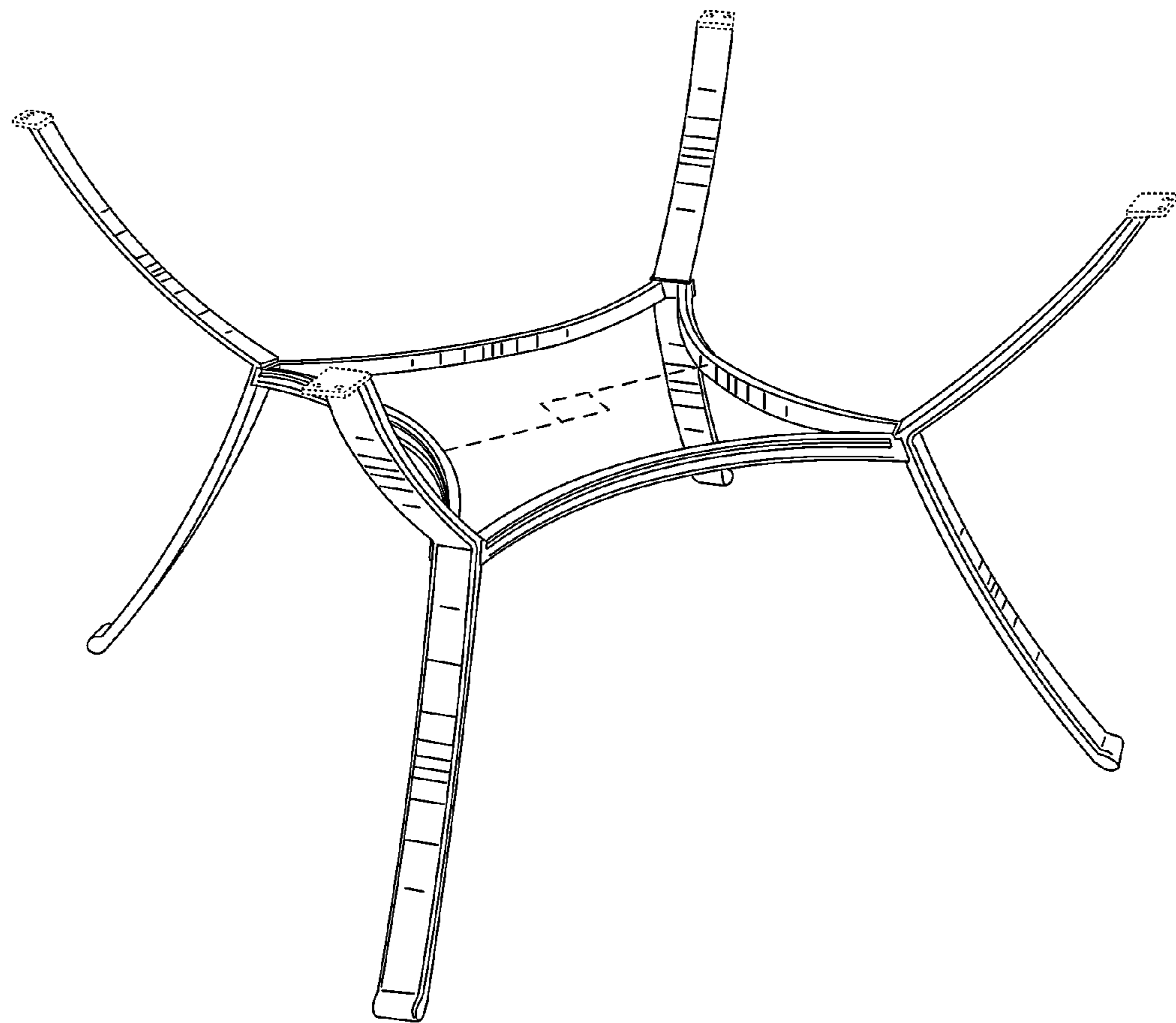


FIG. 2

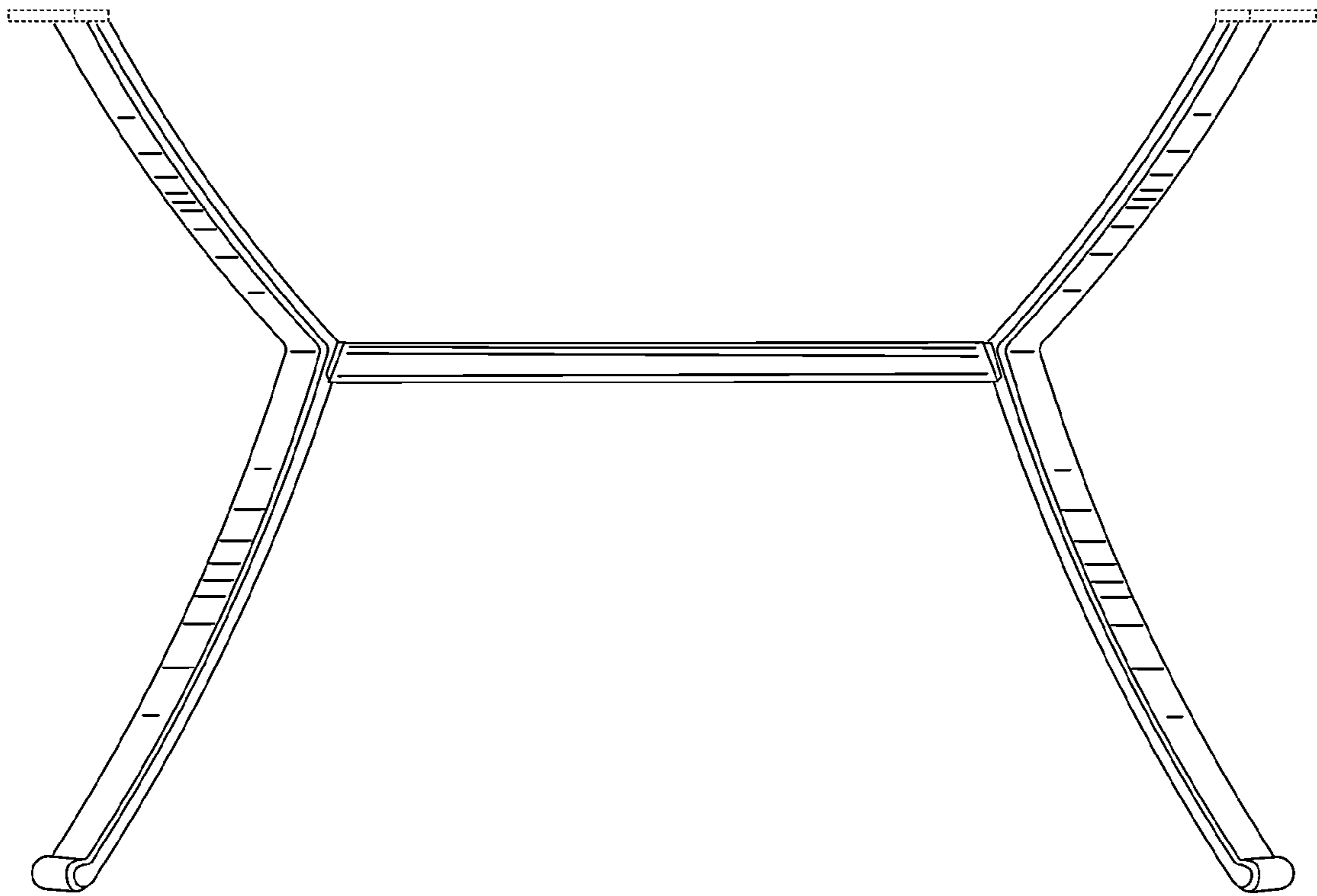


FIG. 3

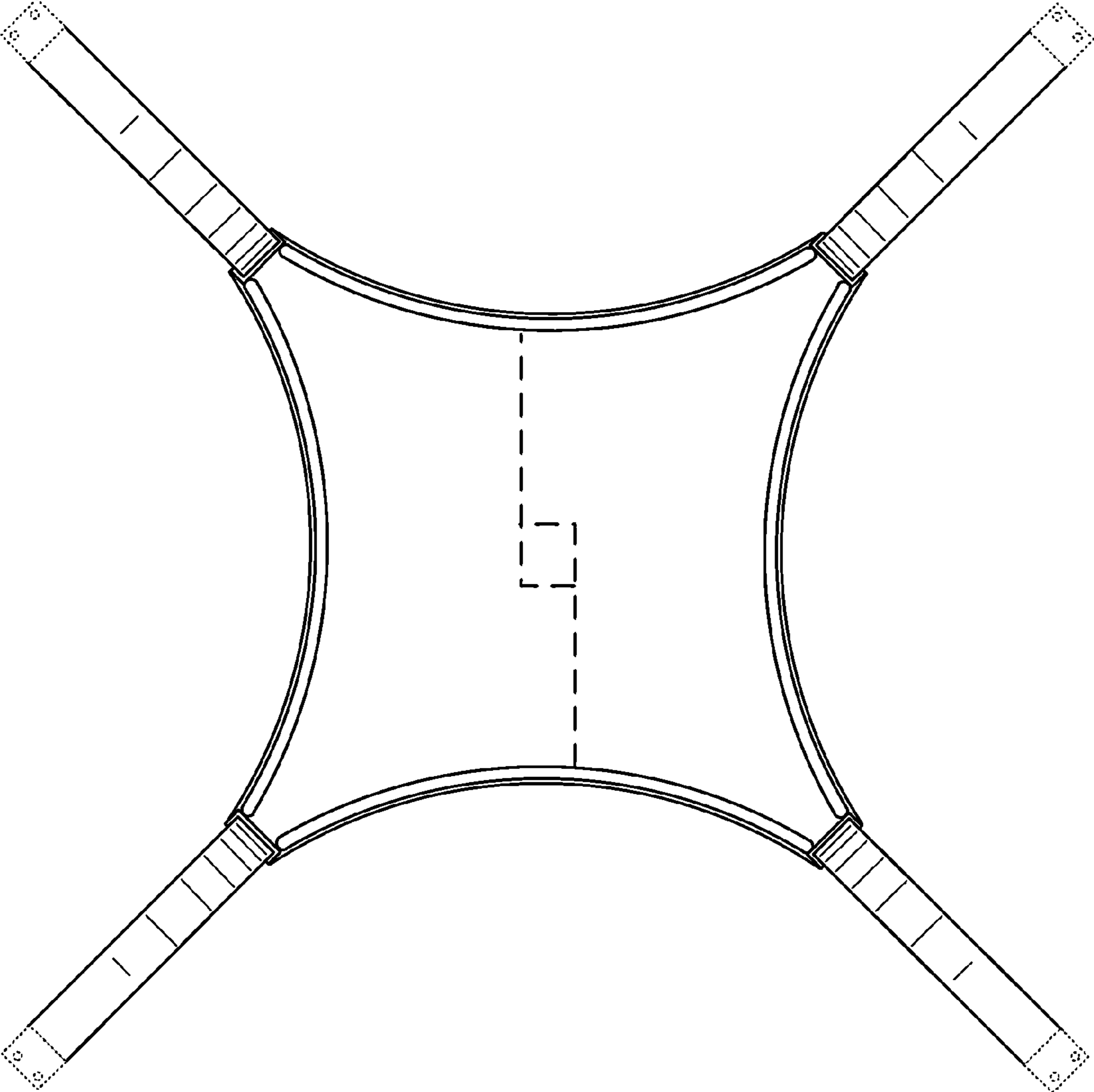


FIG. 4

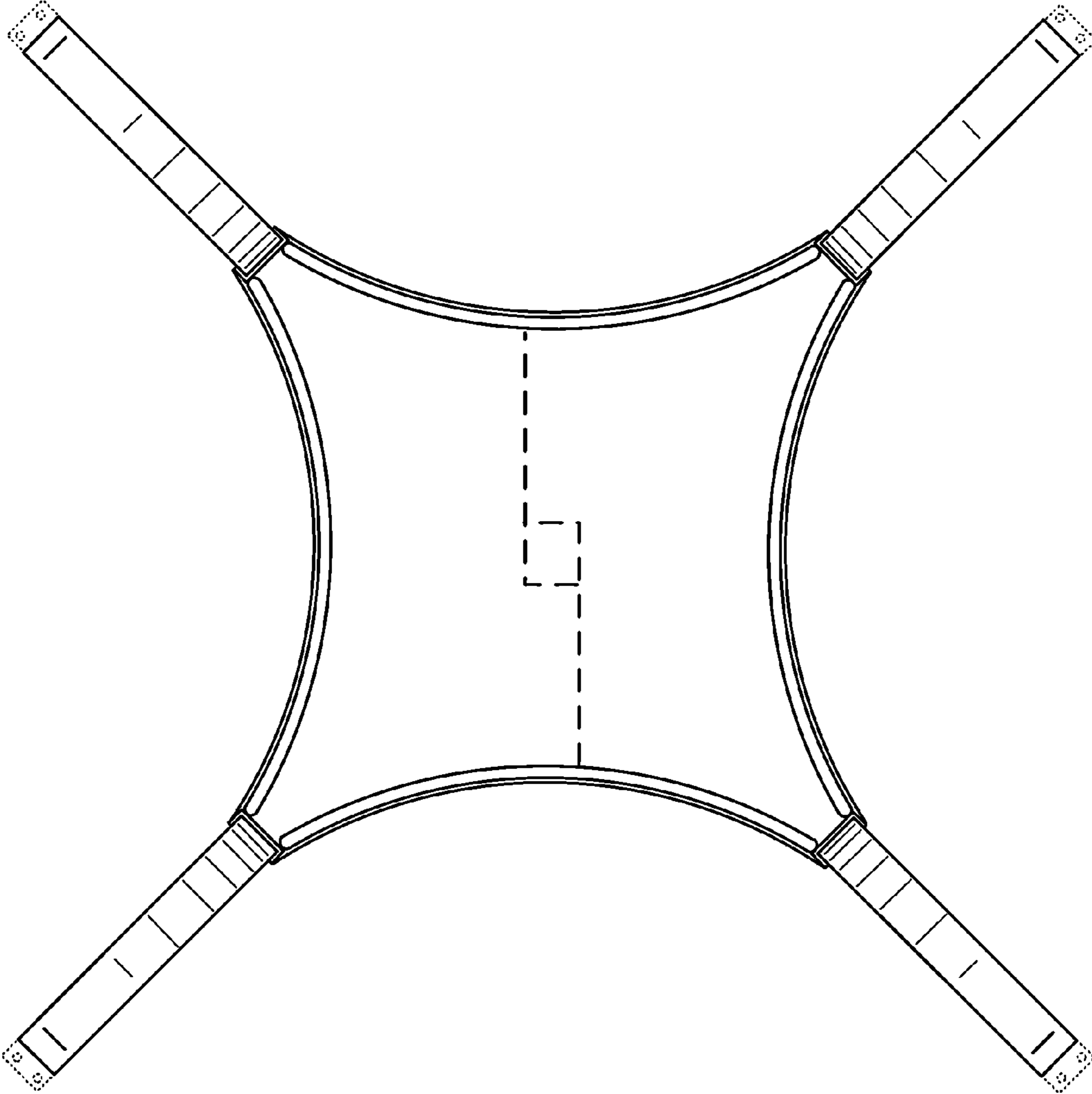


FIG. 5

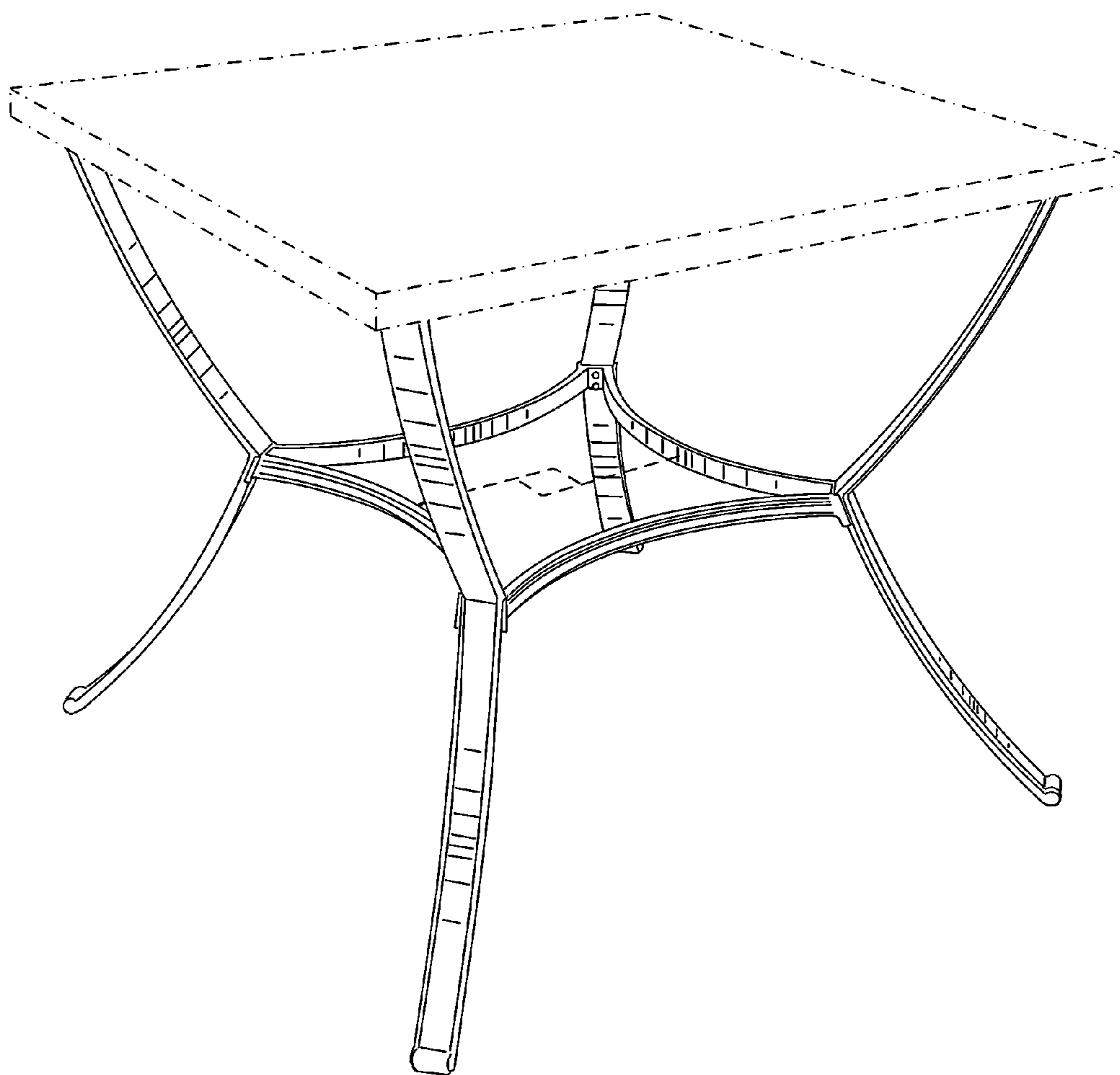


FIG. 6

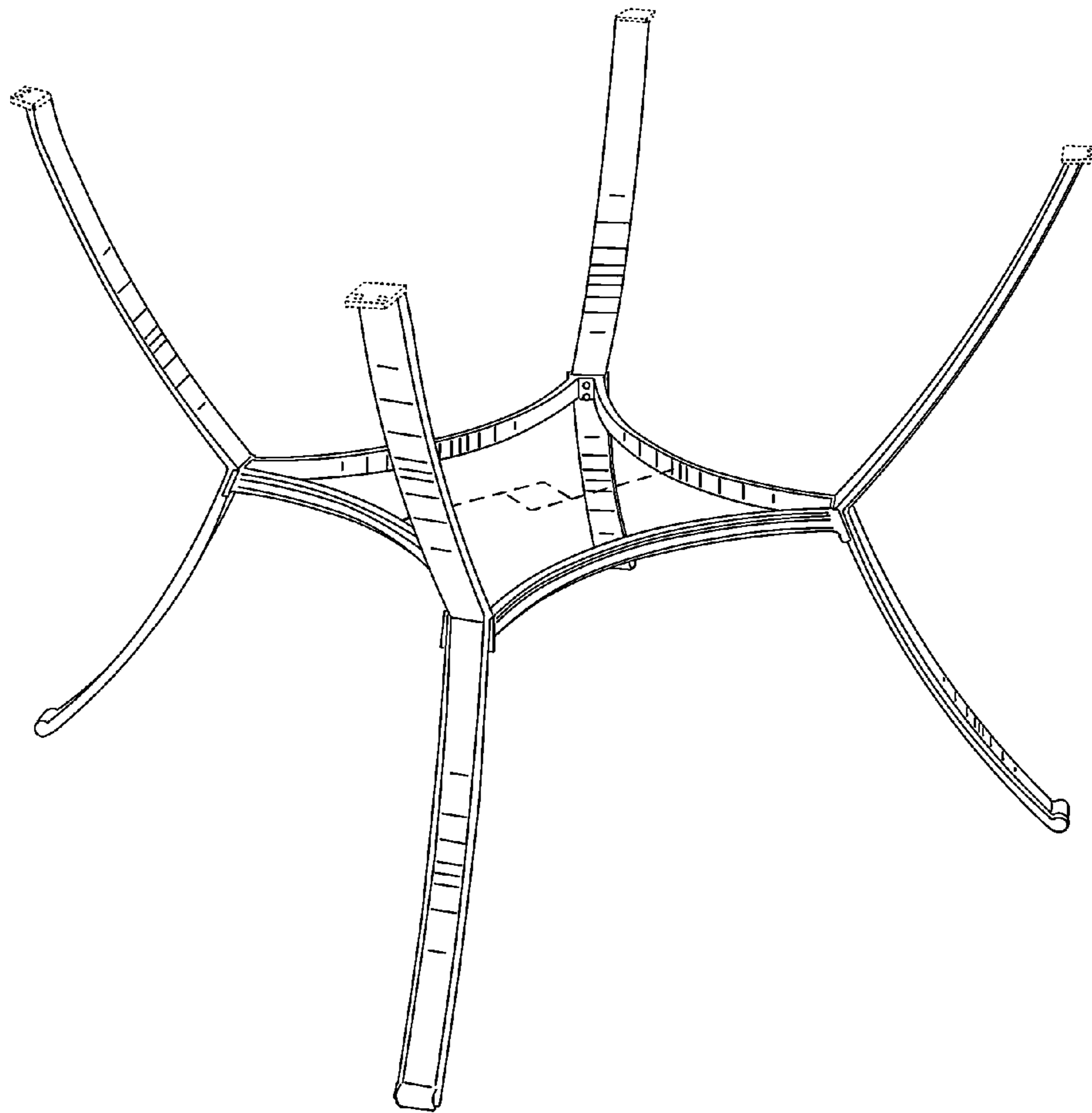


FIG. 7

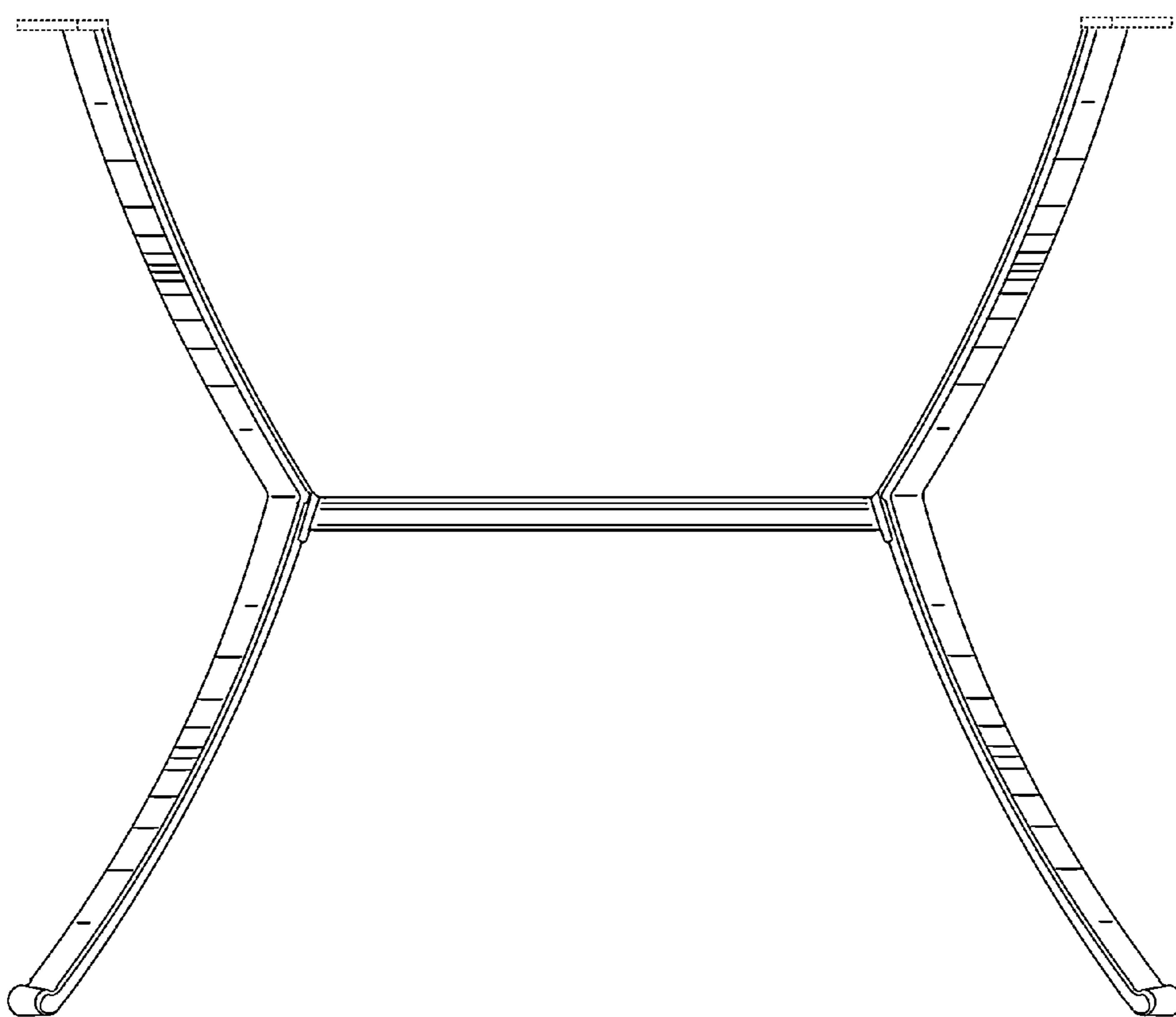


FIG. 8

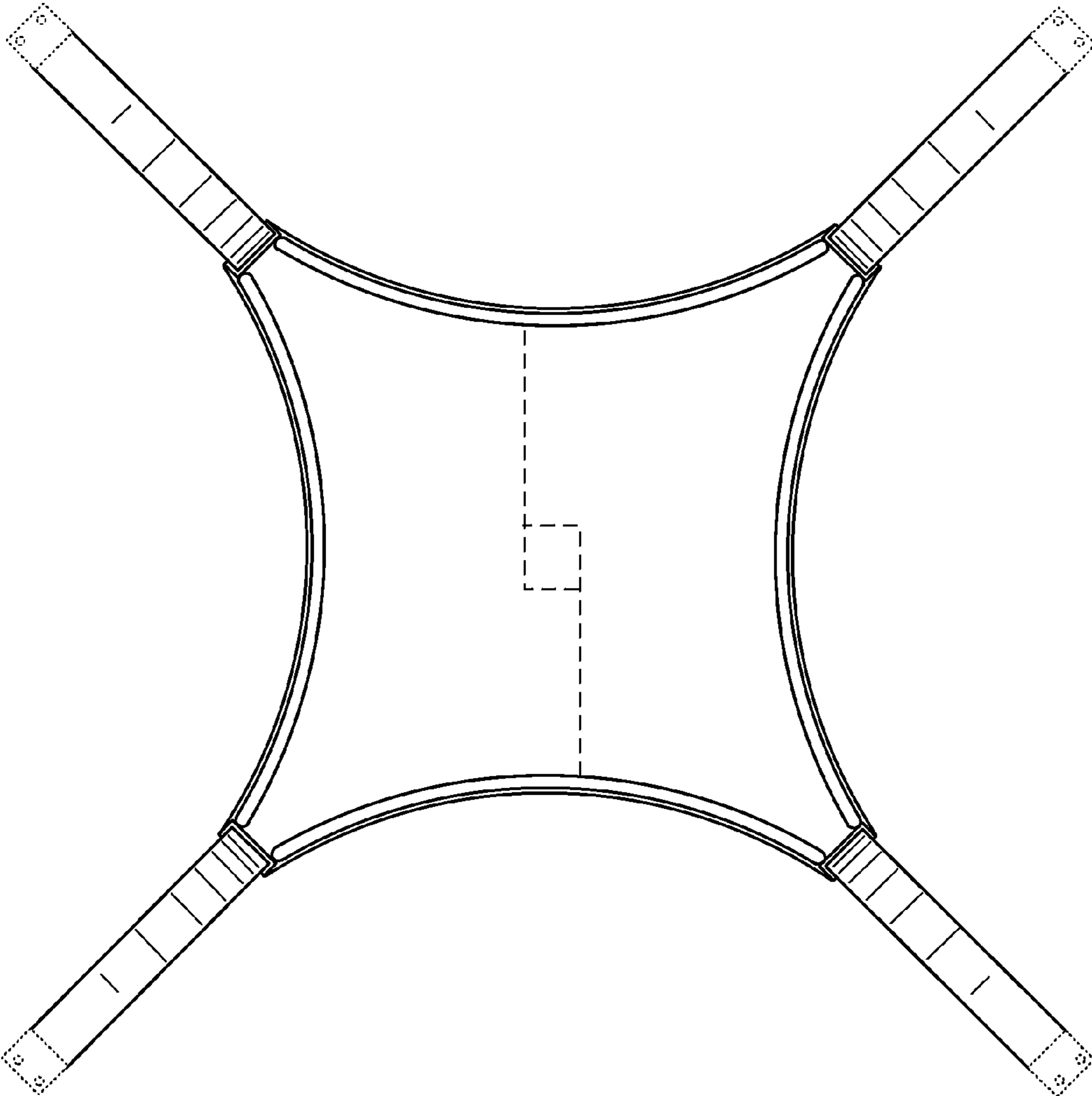


FIG. 9

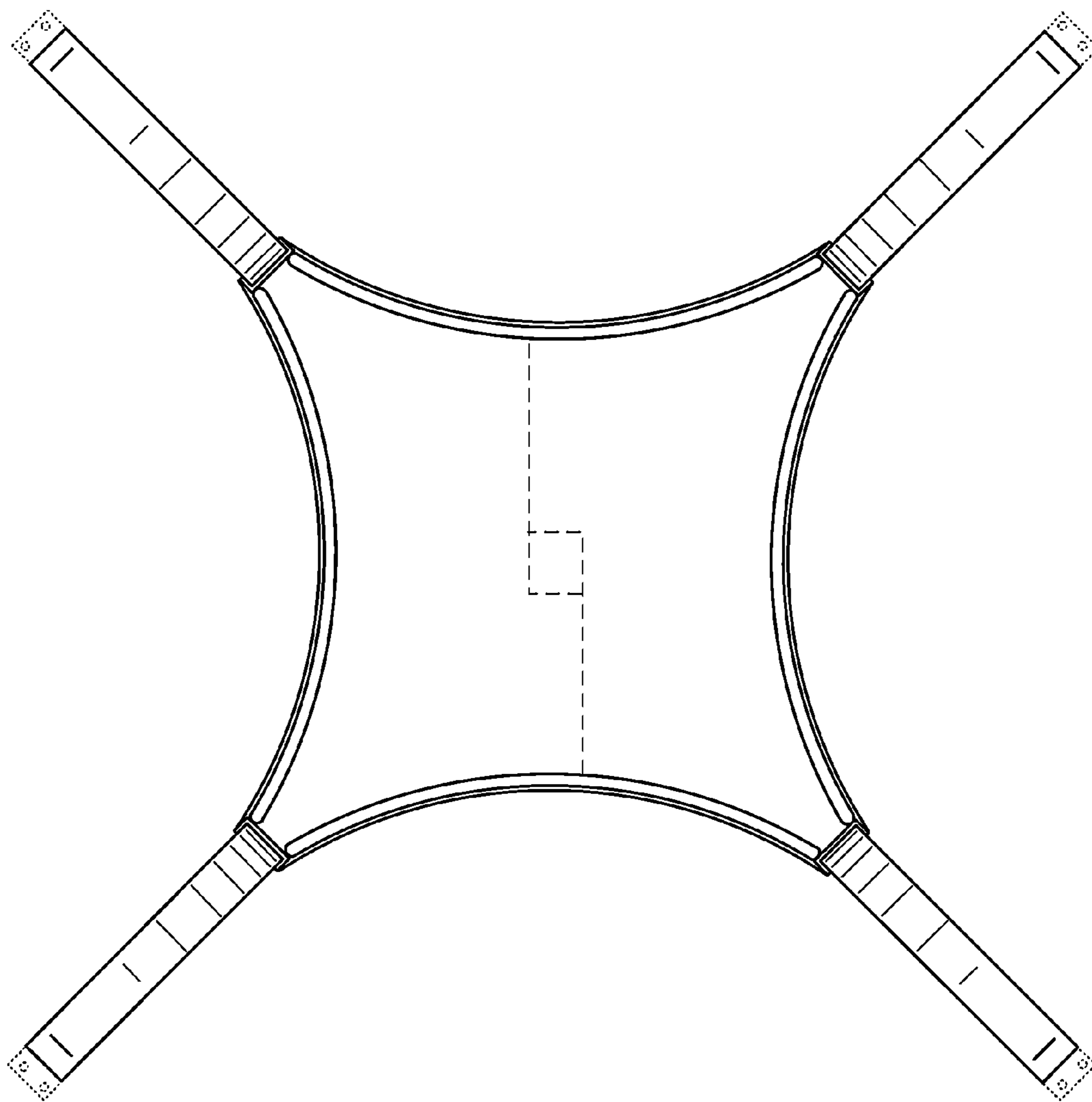


FIG. 10