



US00D702467S

(12) **United States Design Patent**  
**Huang et al.**

(10) **Patent No.:** **US D702,467 S**  
(45) **Date of Patent:** **\*\* Apr. 15, 2014**

(54) **POTTING BENCH**

FOREIGN PATENT DOCUMENTS

(71) Applicant: **Target Brands, Inc.**, Minneapolis, MN (US)

FR 2534461 4/1984

(72) Inventors: **Daiying Huang**, Medina, MN (US); **Samuel J. Clavette**, Stillwater, MN (US); **Stephanie A. Grotta**, Minneapolis, MN (US); **Sara L. Pedersen**, Minneapolis, MN (US)

OTHER PUBLICATIONS

Office Action dated Jul. 3, 2012 issued in Canadian Patent Application No. 2,768,778, 3 pages.

(Continued)

(73) Assignee: **Target Brands, Inc.**, Minneapolis, MN (US)

*Primary Examiner* — Ricky Pham

(74) *Attorney, Agent, or Firm* — Leanne Taveggia Farrell; Westman, Champlin & Koehler, P.A.

(\*\*) Term: **14 Years**

(57) **CLAIM**

The ornamental design for a potting bench, as shown and described.

(21) Appl. No.: **29/468,421**

**DESCRIPTION**

(22) Filed: **Sep. 30, 2013**

**Related U.S. Application Data**

(63) Continuation of application No. 13/222,715, filed on Aug. 31, 2011.

(51) **LOC (10) Cl.** ..... **06-06**

(52) **U.S. Cl.**  
USPC ..... **D6/707.19**

(58) **Field of Classification Search**

USPC ..... D6/332-336, 657, 660-661, 662, 662.1, D6/663-667, 671, 671.1, 672-675, D6/675.1-675.4, 678.4, 684-686, D6/702-708, 712; 108/25, 115, 125-129, 108/132; 211/42-50, 90.01, 133.1, 211/186-189; 248/188, 188.1, 188.7, 188.8

See application file for complete search history.

FIG. 1 is a perspective view of a potting bench; FIG. 2 is a top view thereof; FIG. 3 is a front view thereof; FIG. 4 is a back view thereof; FIG. 5 is a right side view thereof; FIG. 6 is a left side view thereof; FIG. 7 is perspective view of FIG. 1 shown in an alternate position; FIG. 8 is a top view of FIG. 7; FIG. 9 is a front view of FIG. 7; FIG. 10 is a back view of FIG. 7; FIG. 11 is a right side view of FIG. 7; and, FIG. 12 is a left side view of FIG. 7.

The broken lines shown in the drawings are included for purposes of illustrating portions of the potting bench and form no part of the claimed design. Although many broken lines and solid lines are shown in the drawings, it is contemplated by the inventors that one or more elements made be removed or added such as the front and rear supports on the lower frame section, the rear supports on the upper frame section, the first compartment, the second compartment, the lower shelf and upper shelves on the lower frame section and the shelf on the upper frame section.

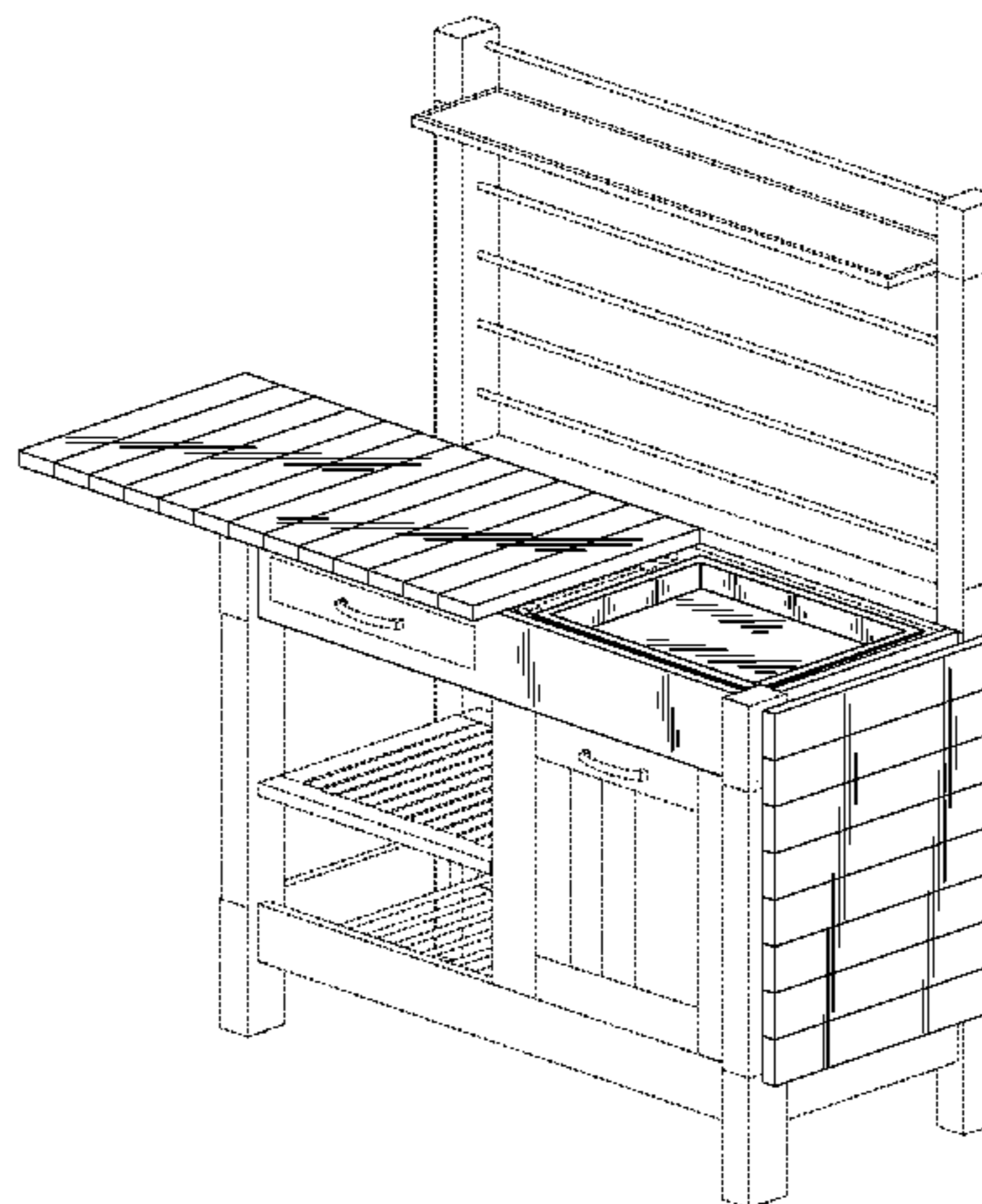
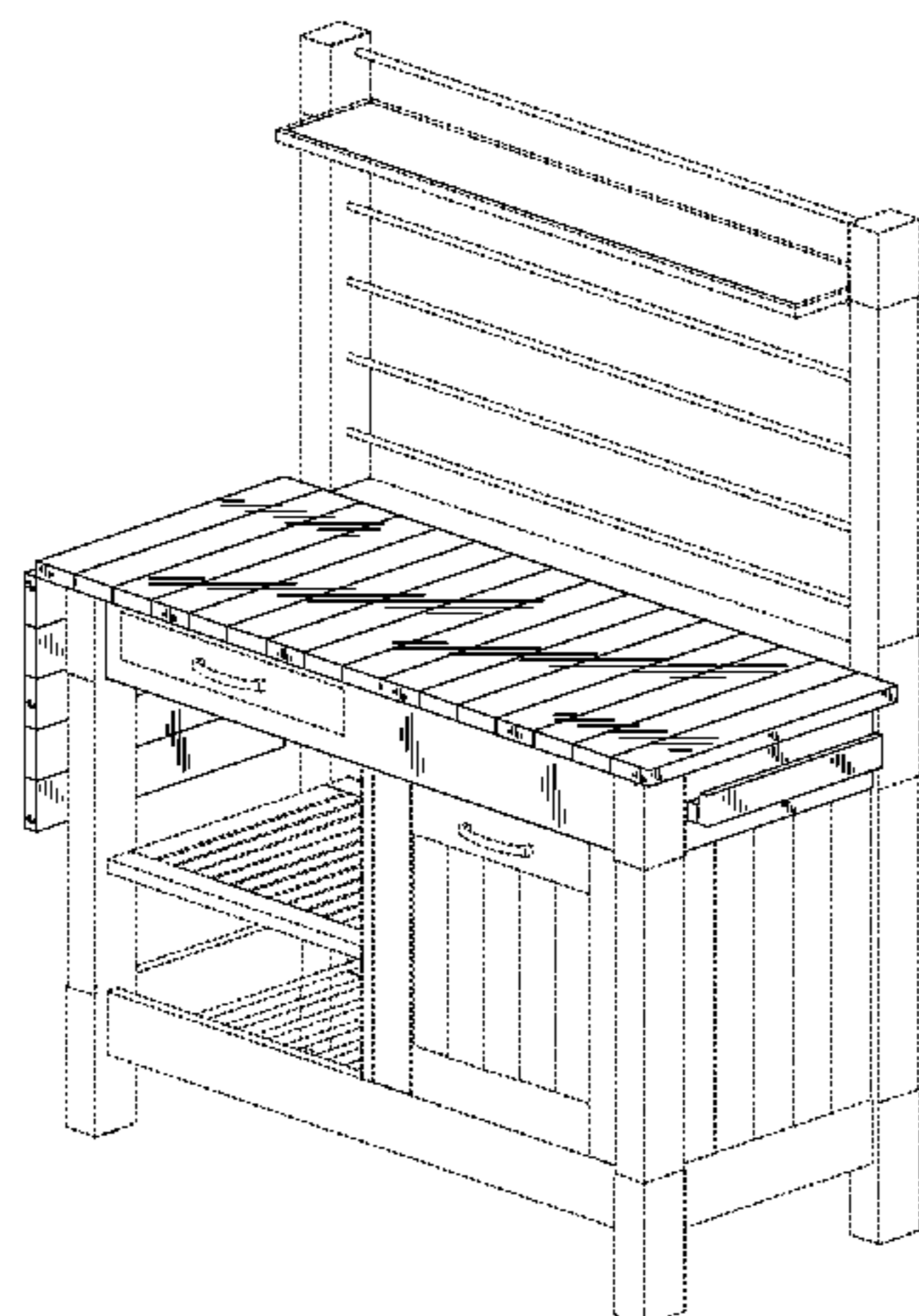
(56) **References Cited**

U.S. PATENT DOCUMENTS

2,798,732 A 7/1957 Craig  
2,922,176 A 1/1960 Bernhardt

(Continued)

**1 Claim, 12 Drawing Sheets**



(56)

References Cited

U.S. PATENT DOCUMENTS

2,971,653 A 2/1961 Shaw  
 3,239,272 A 3/1966 Wilkins  
 D244,819 S 6/1977 Christen, Jr.  
 4,099,811 A 7/1978 Barry  
 D254,112 S 2/1980 Handler et al.  
 D255,738 S \* 7/1980 Tome ..... D6/430  
 D255,853 S \* 7/1980 Tome ..... D6/436  
 D260,209 S \* 8/1981 Ferdinand et al. .... D6/481  
 D260,837 S \* 9/1981 Tome ..... D6/436  
 4,357,881 A 11/1982 De Long  
 4,392,436 A 7/1983 Weiler  
 D287,777 S 1/1987 Hellwig et al.  
 4,934,280 A 6/1990 Bae  
 D315,071 S \* 3/1991 Miller ..... D6/436  
 5,090,398 A 2/1992 Raymer et al.  
 D328,125 S 7/1992 Bae  
 D331,334 S \* 12/1992 Hollington ..... D6/440  
 D342,121 S 12/1993 Lim  
 5,318,315 A 6/1994 White et al.  
 D348,573 S 7/1994 Ewald  
 D361,437 S \* 8/1995 Sacchi Lodispoto ..... D6/336  
 5,509,169 A 4/1996 Drucker  
 D377,127 S 1/1997 Barrington  
 D379,724 S \* 6/1997 Lo ..... D6/436  
 D391,421 S \* 3/1998 Steelman ..... D6/479  
 D403,826 S 1/1999 Tisbo et al.  
 D406,431 S 3/1999 Tisbo et al.  
 5,887,878 A 3/1999 Tisbo et al.  
 D415,365 S \* 10/1999 Nicklas ..... D6/400  
 6,086,073 A 7/2000 Tisbo et al.  
 D466,717 S \* 12/2002 Cho ..... D6/400  
 D498,608 S 11/2004 Lawson

D502,335 S \* 3/2005 O'Hare ..... D6/431  
 6,860,494 B1 3/2005 Chisholm  
 7,137,223 B1 11/2006 Purcell  
 7,464,945 B2 12/2008 Humphries et al.  
 7,857,328 B1 12/2010 Boss  
 2004/0004334 A1 1/2004 Chen  
 2008/0296245 A1 12/2008 Punzel et al.  
 2009/0212678 A1 8/2009 Sung  
 2010/0018442 A1 1/2010 Knudsen  
 2013/0047895 A1 \* 2/2013 Huang et al. .... 108/25

OTHER PUBLICATIONS

Seesaa, "Cedar Potting Bench," <http://yumatusan.seesaa.net/article/142834139.html>, at least as early as Jul. 2012, 4 pages.  
 AboutBenches, "Gardeners Often Build Their Potting Bench Themselves," <http://aboutbenches.com/article/garden-potting-benches/>, at least as early as Jun. 2010, 4 pages.  
 Office Action dated Nov. 6, 2012 issued in Canadian Patent Application No. 2,768,778, 3 pages.  
 GadgetGrid, "World Zone Potting Bench With Drop Leaf," <http://www.gadgetgrid.com/2008/03/13/world-zone-potting-bench-with-drop-leaf/>, at least as early as Mar. 2008, 3 pages.  
 The Family Handyman, "How to Build a Cedar Potting Bench," <http://www.familyhandyman.com/garden/how-to-build-a-cedar-potting-bench>, at least as early at Nov. 2012, 4 pages.  
 Office Action dated Dec. 12, 2012 issued in Canadian Patent Application No. 2,792,139, 3 pages.  
 Forever Redwood, "Eli's Potting Benches," <http://www.foreverredwood.com/eli-s-potting-bench-1.html>, at least as early as Dec. 2012, 2 pages.  
 Office Action dated Mar. 14, 2013 issued in Canadian Patent Application No. 2,768,778, 4 pages.

\* cited by examiner

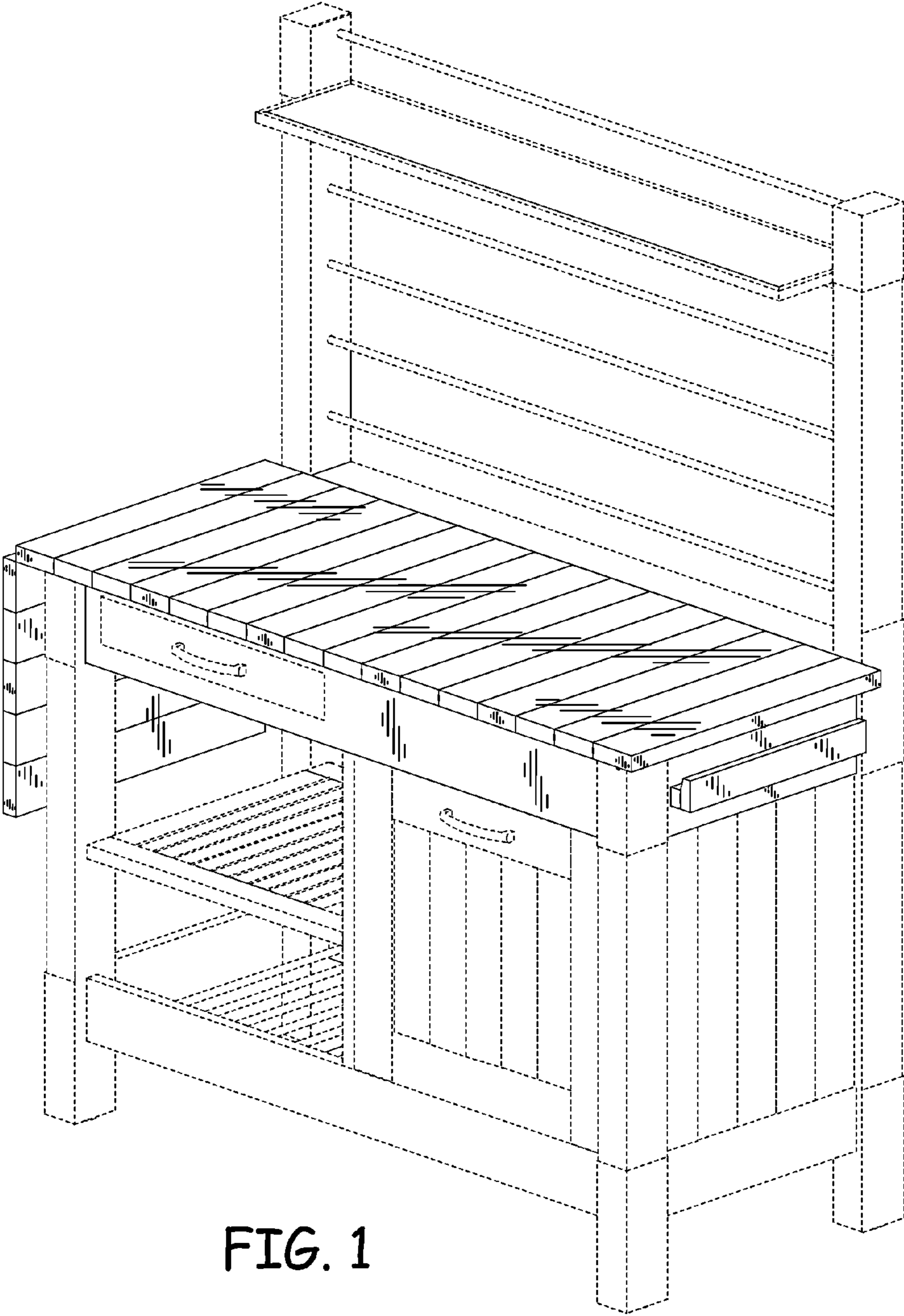


FIG. 1

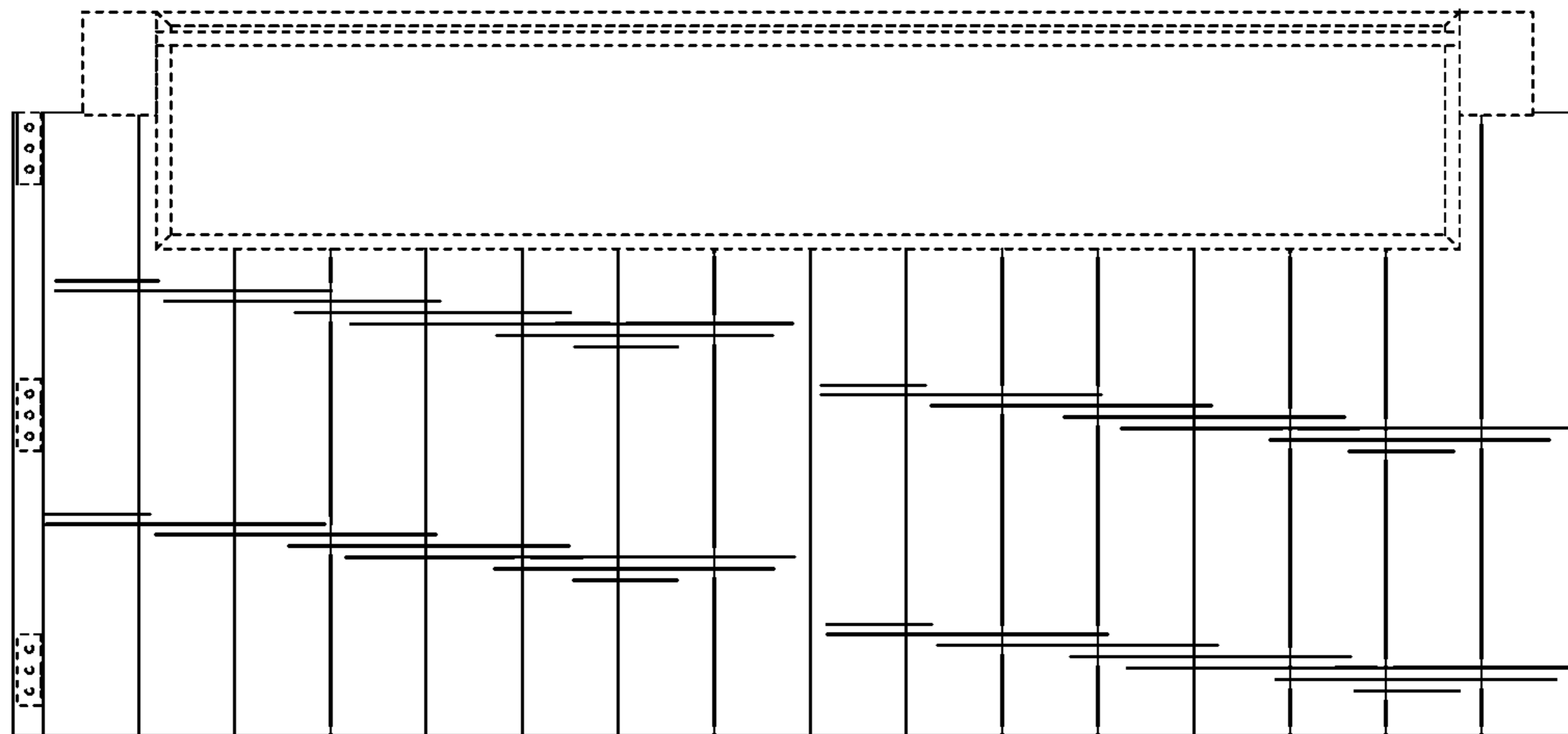


FIG. 2

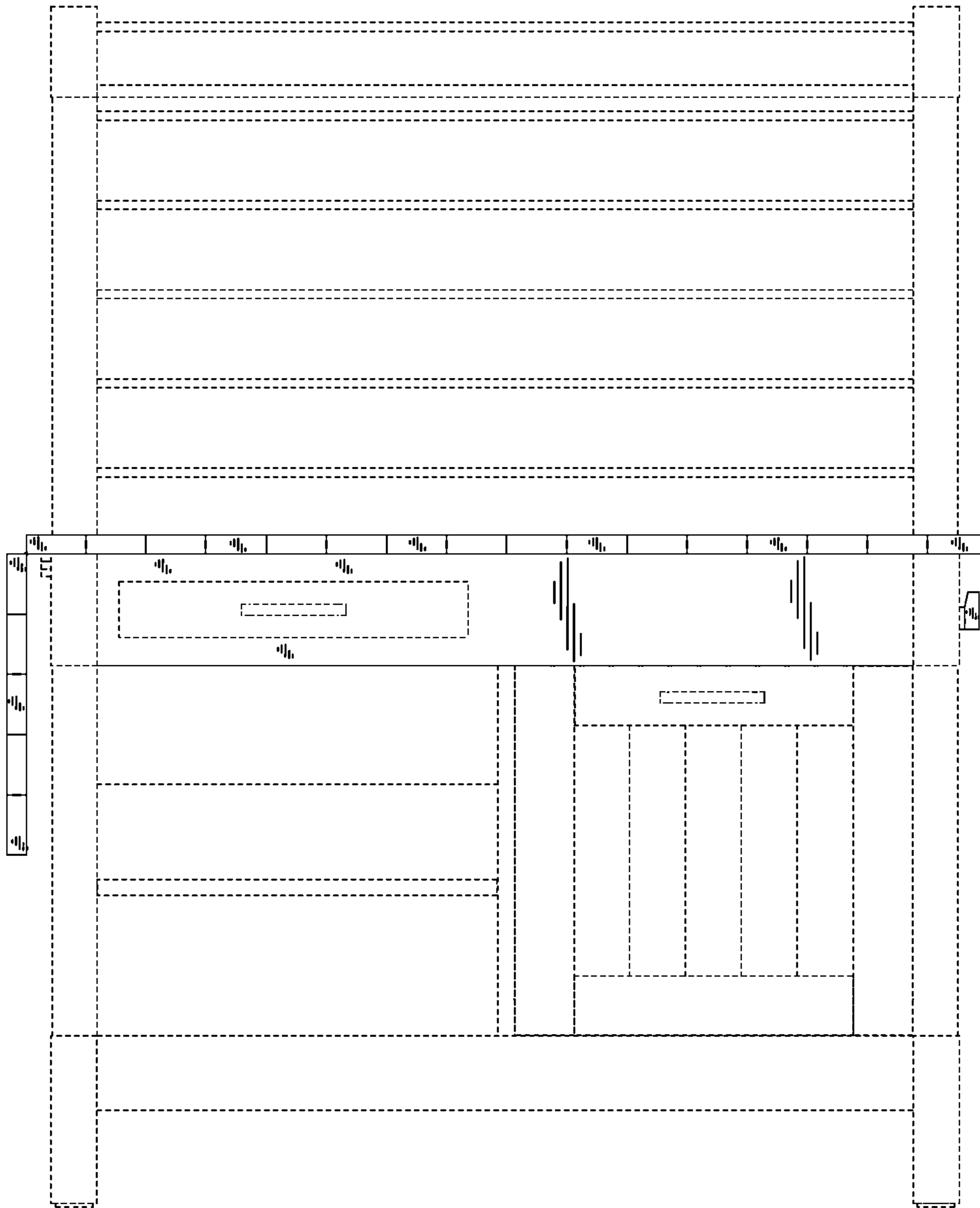


FIG. 3

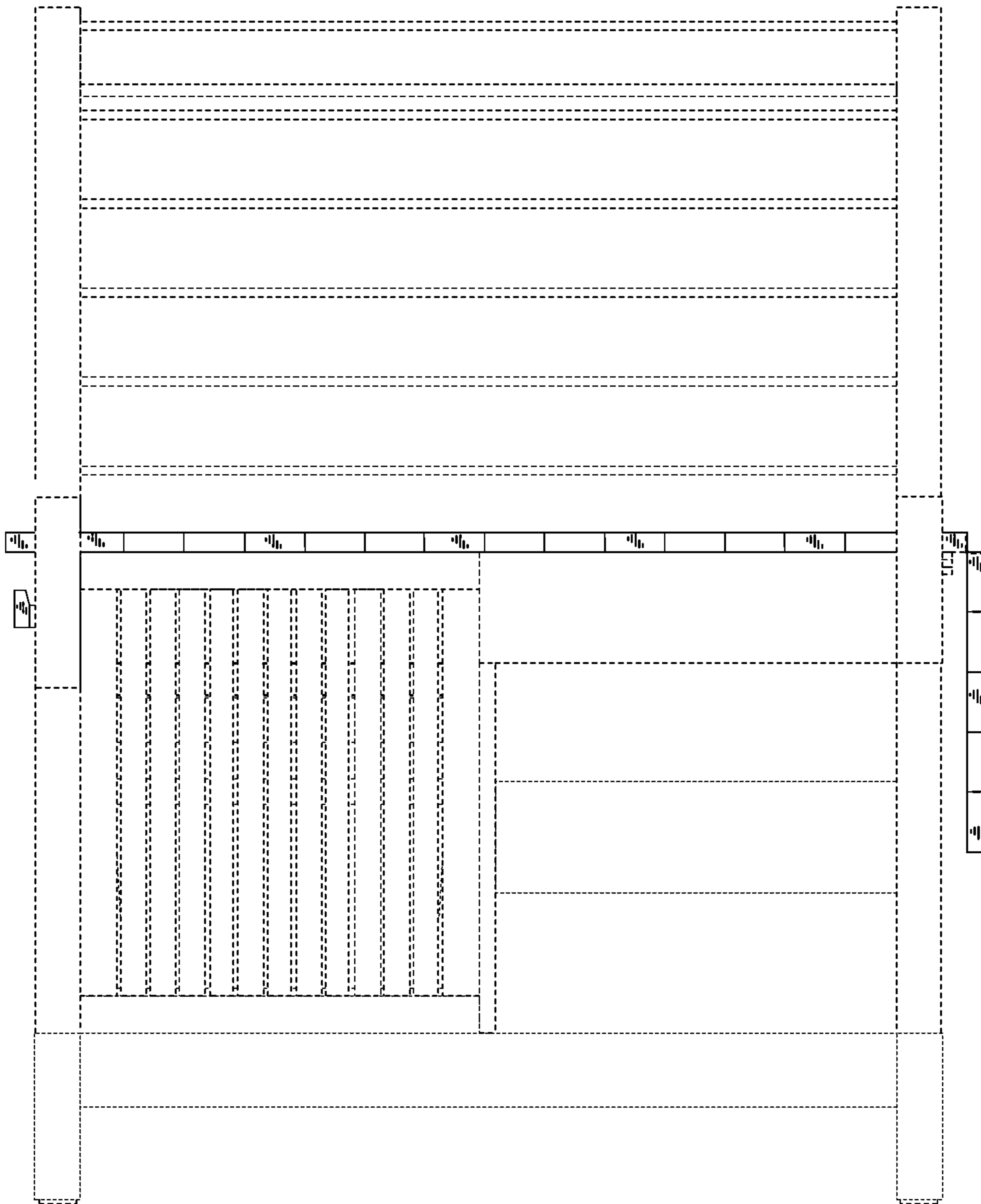


FIG. 4

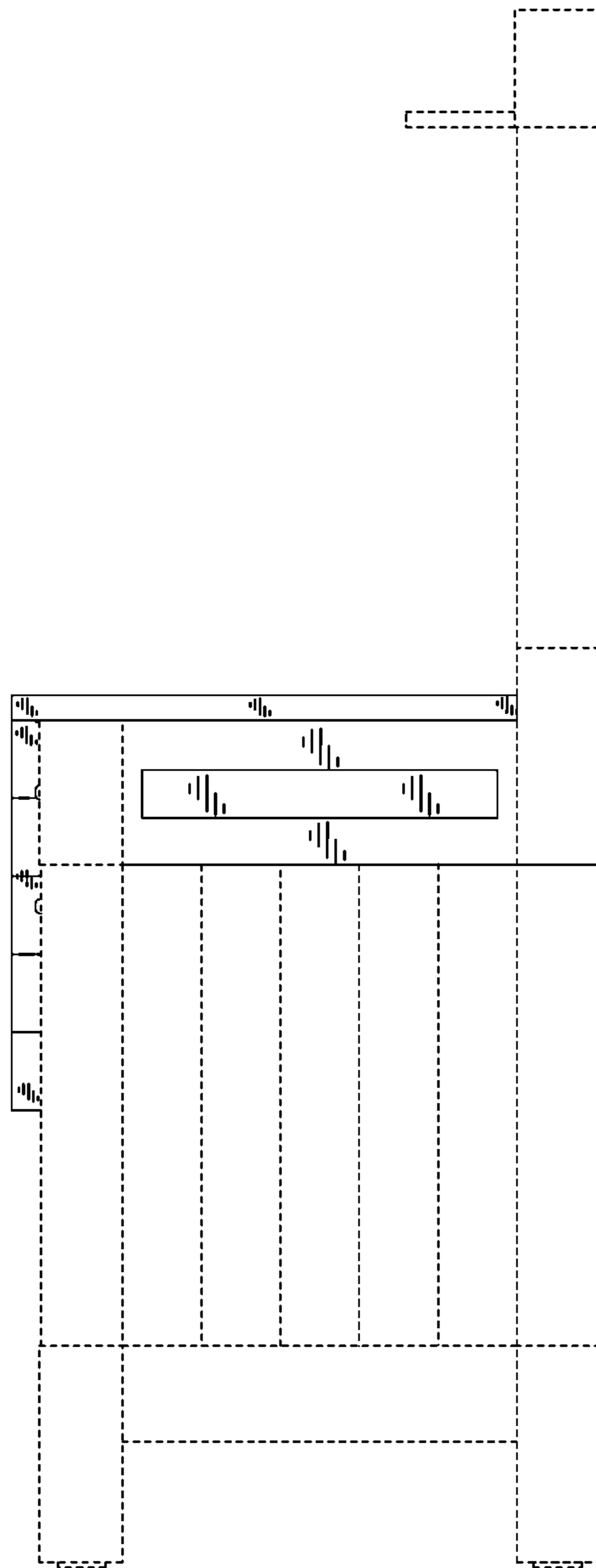


FIG. 5

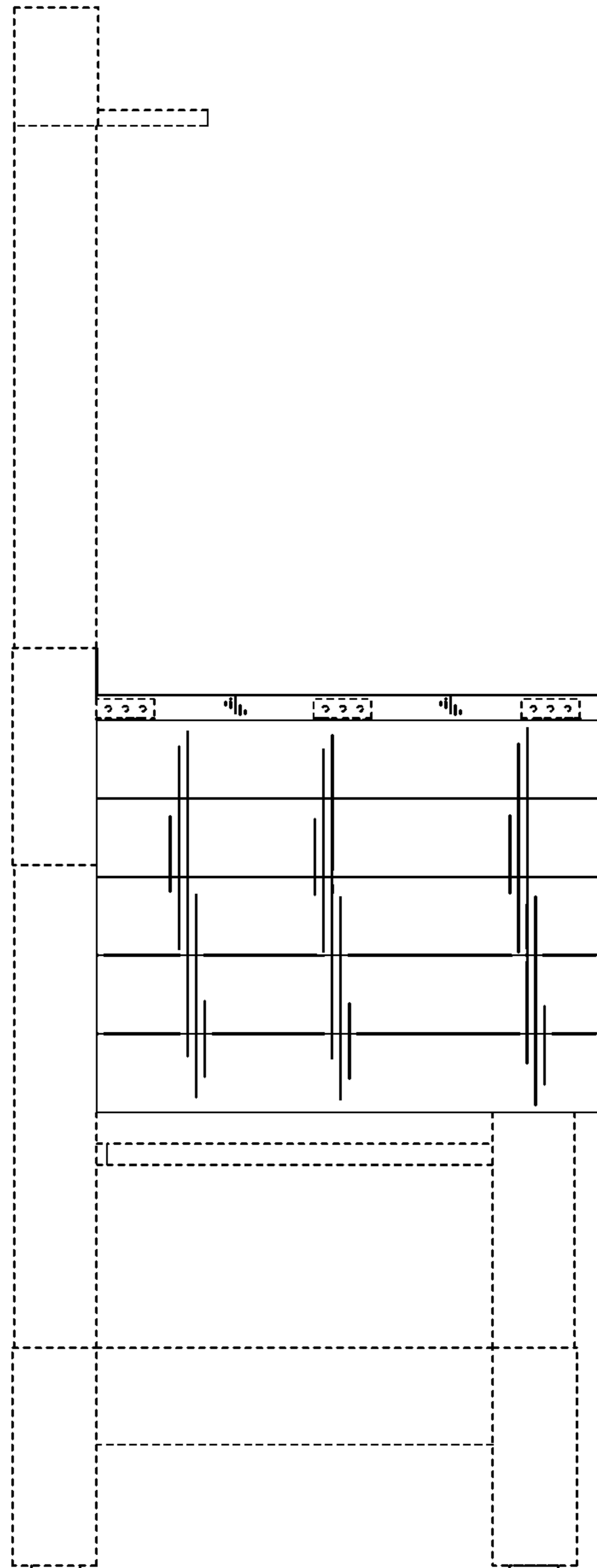


FIG. 6



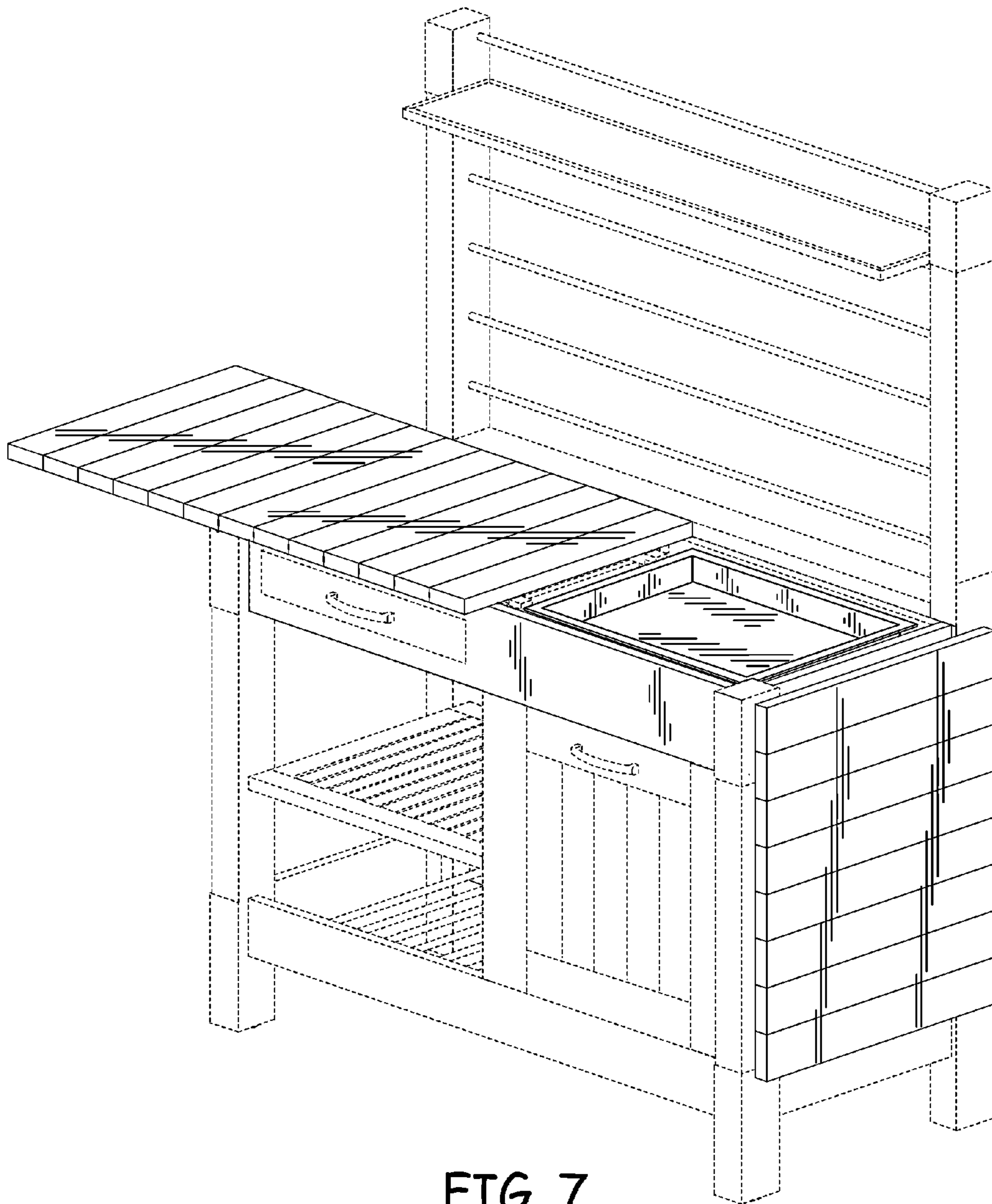


FIG. 7

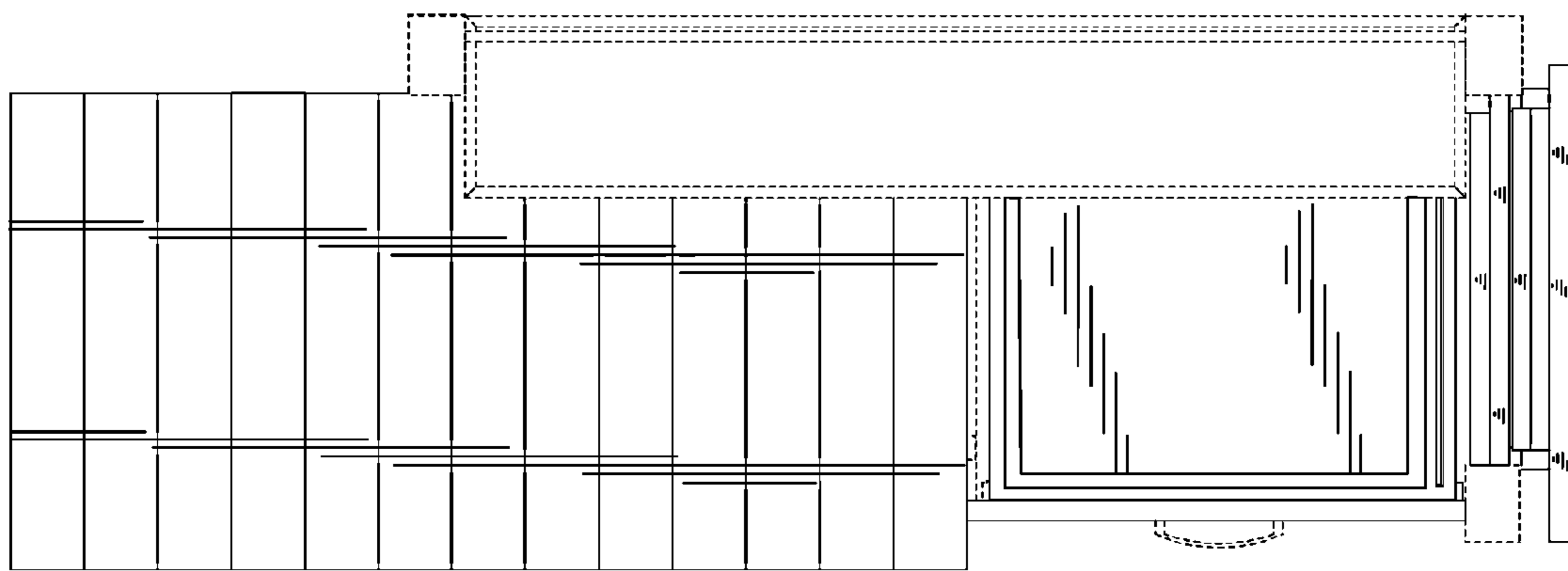


FIG. 8

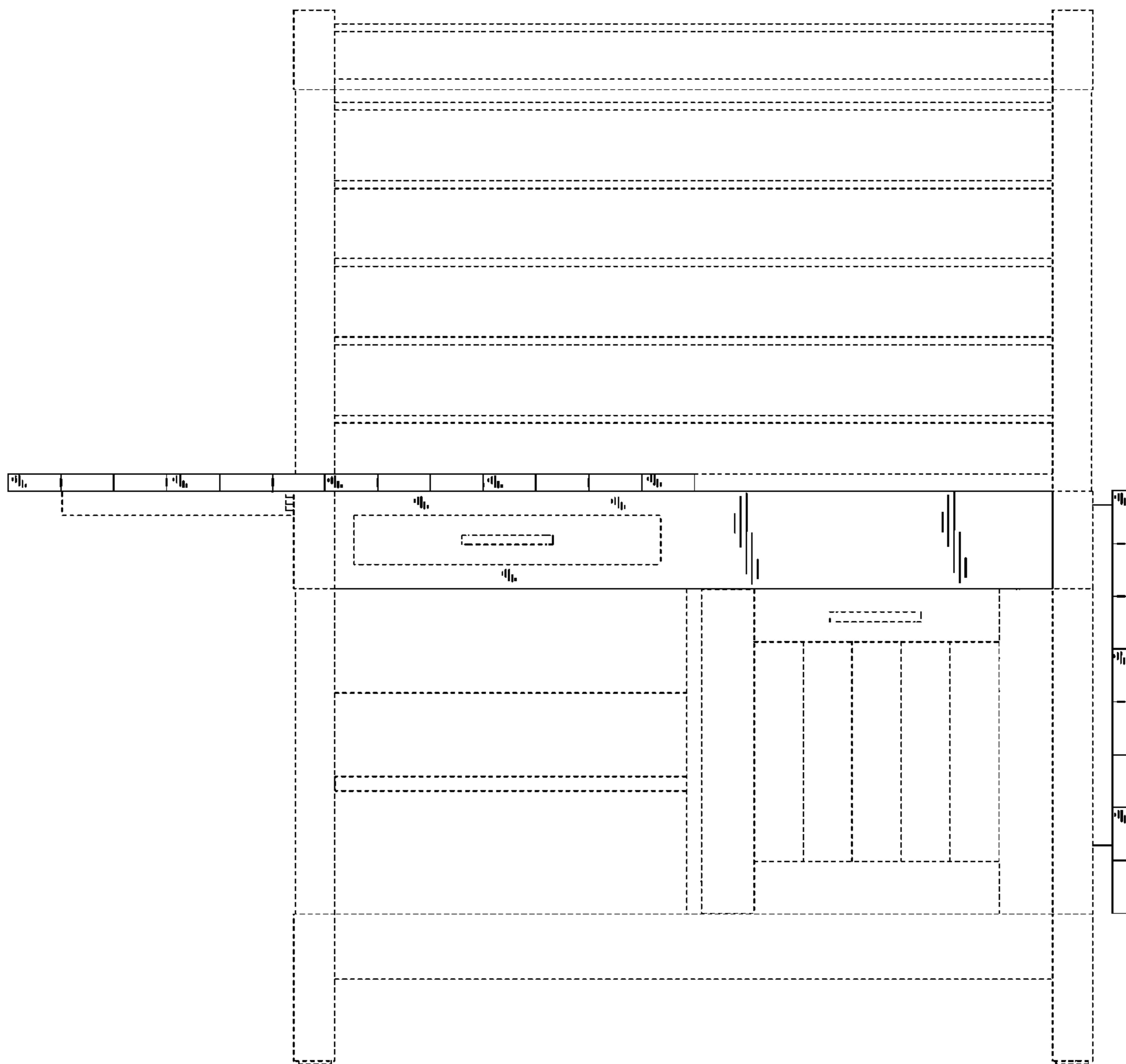


FIG. 9

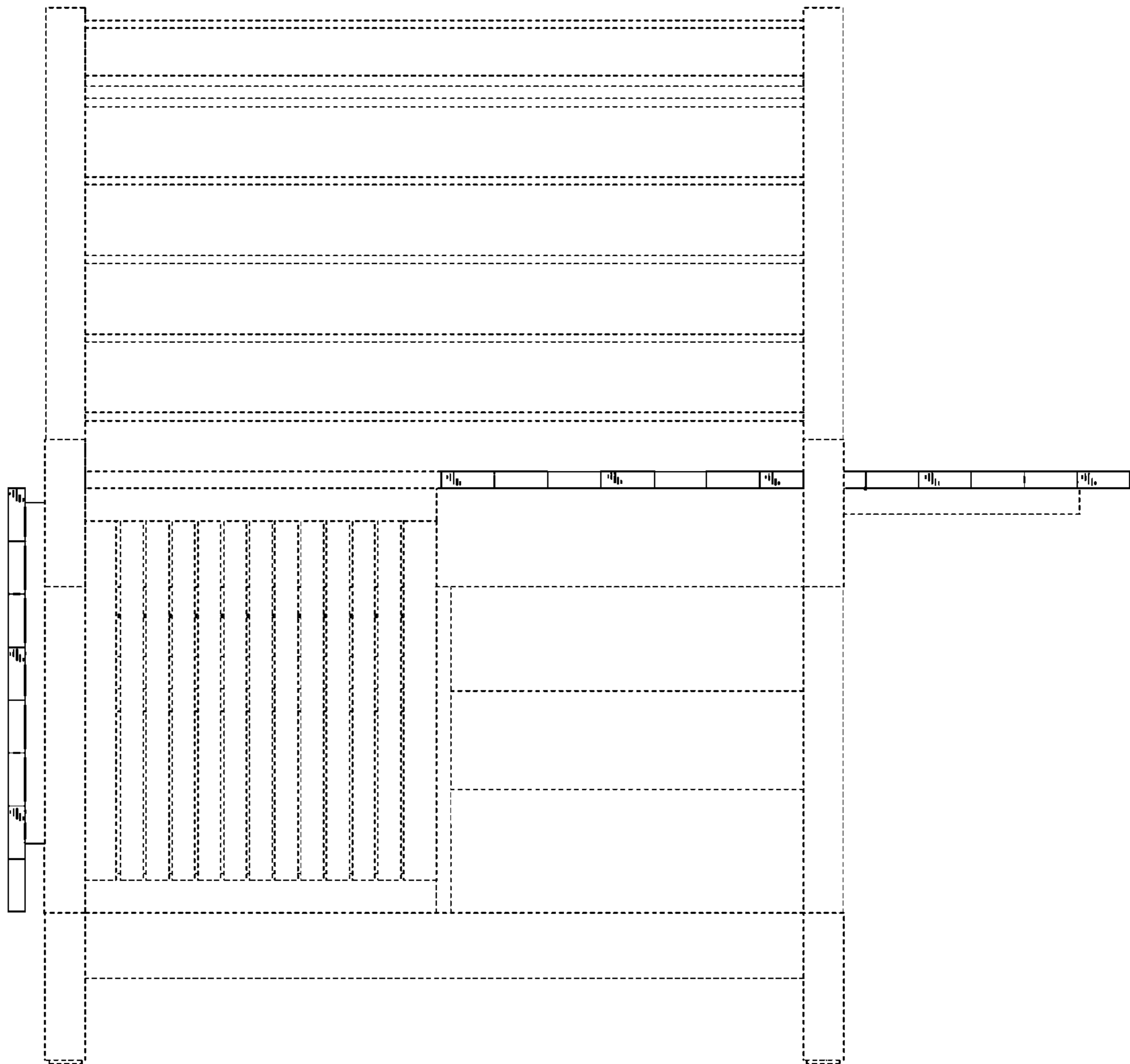


FIG. 10

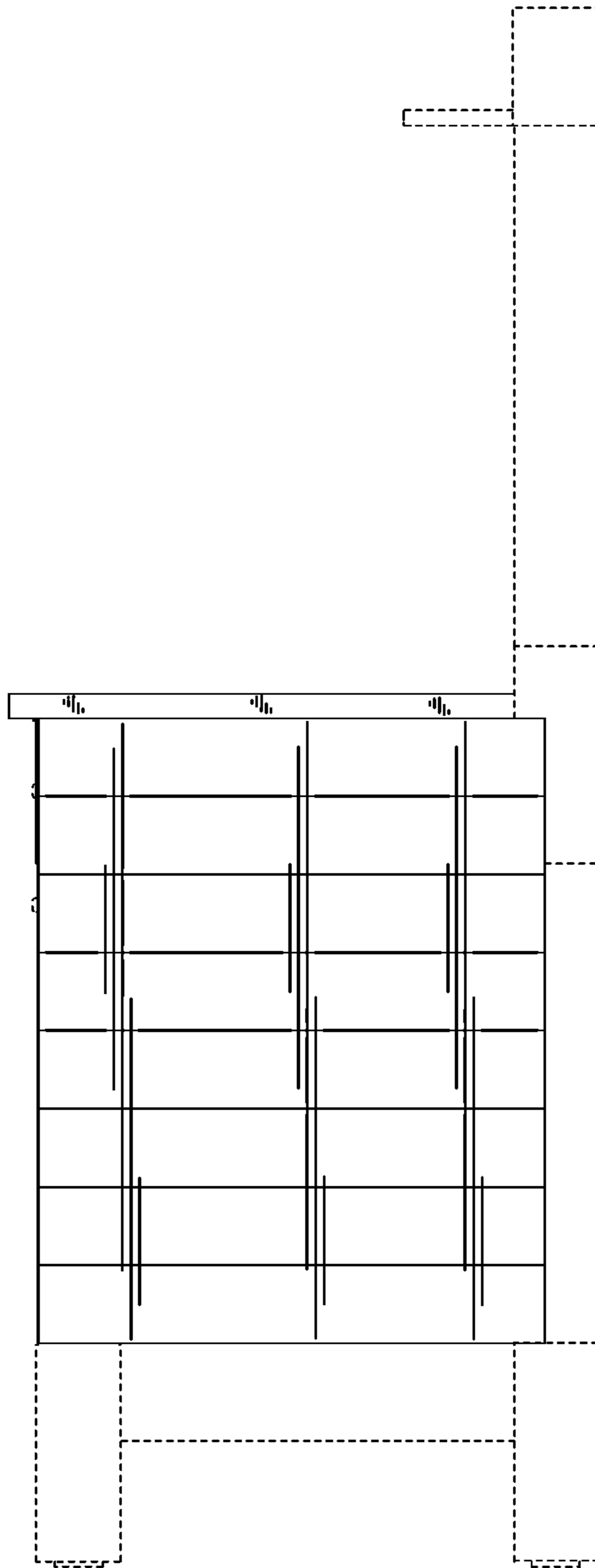


FIG. 11

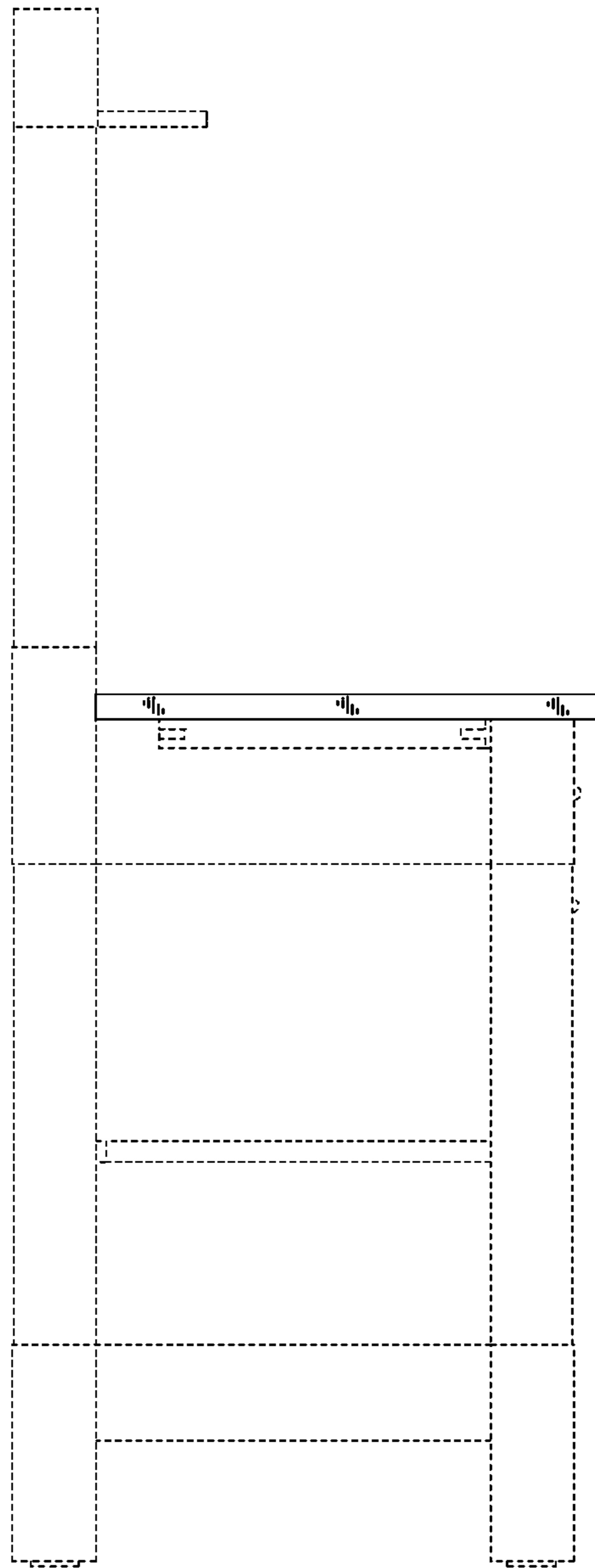


FIG. 12