



US00D702466S

(12) **United States Design Patent**  
**Kim**

(10) **Patent No.:** **US D702,466 S**

(45) **Date of Patent:** **\*\* Apr. 15, 2014**

- (54) **SHOWCASE FRAME EXTRUSION**
- (71) Applicant: **Seidae Industrial Co., Ltd.**, Goyang-si (KR)
- (72) Inventor: **Deck-Rae Kim**, Goyang-si (KR)
- (73) Assignee: **Seidae Industrial Co., Ltd.**, Goyang-Si (KR)
- (\*\*) Term: **14 Years**
- (21) Appl. No.: **29/468,880**
- (22) Filed: **Oct. 4, 2013**

- D578,663 S \* 10/2008 Franson ..... D25/124
- D578,665 S \* 10/2008 Franson ..... D25/124
- D648,159 S \* 11/2011 Hense et al. .... D6/509
- D674,221 S \* 1/2013 Kim ..... D6/702
- D679,386 S \* 4/2013 Morton ..... D24/124
- D692,592 S \* 10/2013 Kosonen ..... D25/124

\* cited by examiner

*Primary Examiner* — Kelley Donnelly

(74) *Attorney, Agent, or Firm* — Lexyoume IP Meister, PLLC

- (30) **Foreign Application Priority Data**  
Apr. 9, 2013 (KR) ..... 30-2013-0018060
- (51) **LOC (10) Cl.** ..... **06-06**
- (52) **U.S. Cl.**  
USPC ..... **D6/702**
- (58) **Field of Classification Search**  
USPC ..... D6/491–492, 702; D25/52, 60, 119,  
D25/122–125; D26/138; 49/501; 52/287.1,  
52/716.1, 716.8, 718.04  
See application file for complete search history.

(57) **CLAIM**

The ornamental design for showcase frame extrusion, as shown and described.

**DESCRIPTION**

FIG. 1 is a top and left side perspective view of a showcase frame extrusion showing my new design;  
 FIG. 2 is a front elevational view thereof, a rear elevational view is mirror image;  
 FIG. 3 is a left side elevational view thereof;  
 FIG. 4 is a right side elevational view thereof;  
 FIG. 5 is a top plan view thereof;  
 FIG. 6 is a bottom plan view thereof;  
 FIG. 7 is a top and right perspective view of the showcase frame extrusion shown of FIG. 1;  
 FIG. 8 is a top and left view of the showcase frame extrusion shown in its position of use; and,  
 FIG. 9 is a front sectional view of the showcase frame extrusion shown in its position of use, taken along a line 9-9 of FIG. 5.

The broken lines are for the purposes of illustrating the environment of the article only and form no part of the claimed design.

**1 Claim, 5 Drawing Sheets**

- (56) **References Cited**  
U.S. PATENT DOCUMENTS
- D377,505 S \* 1/1997 Thompson ..... D20/43
- D381,091 S \* 7/1997 DiGiorgio ..... D25/124
- D502,999 S \* 3/2005 Wickland ..... D25/124
- D503,485 S \* 3/2005 Willman et al. .... D25/124
- D552,259 S \* 10/2007 Allsopp ..... D25/119
- D553,761 S \* 10/2007 Antonic ..... D25/122
- D557,823 S \* 12/2007 Willman ..... D25/124
- D557,827 S \* 12/2007 Willman ..... D25/124
- D576,746 S \* 9/2008 Morton et al. .... D25/124

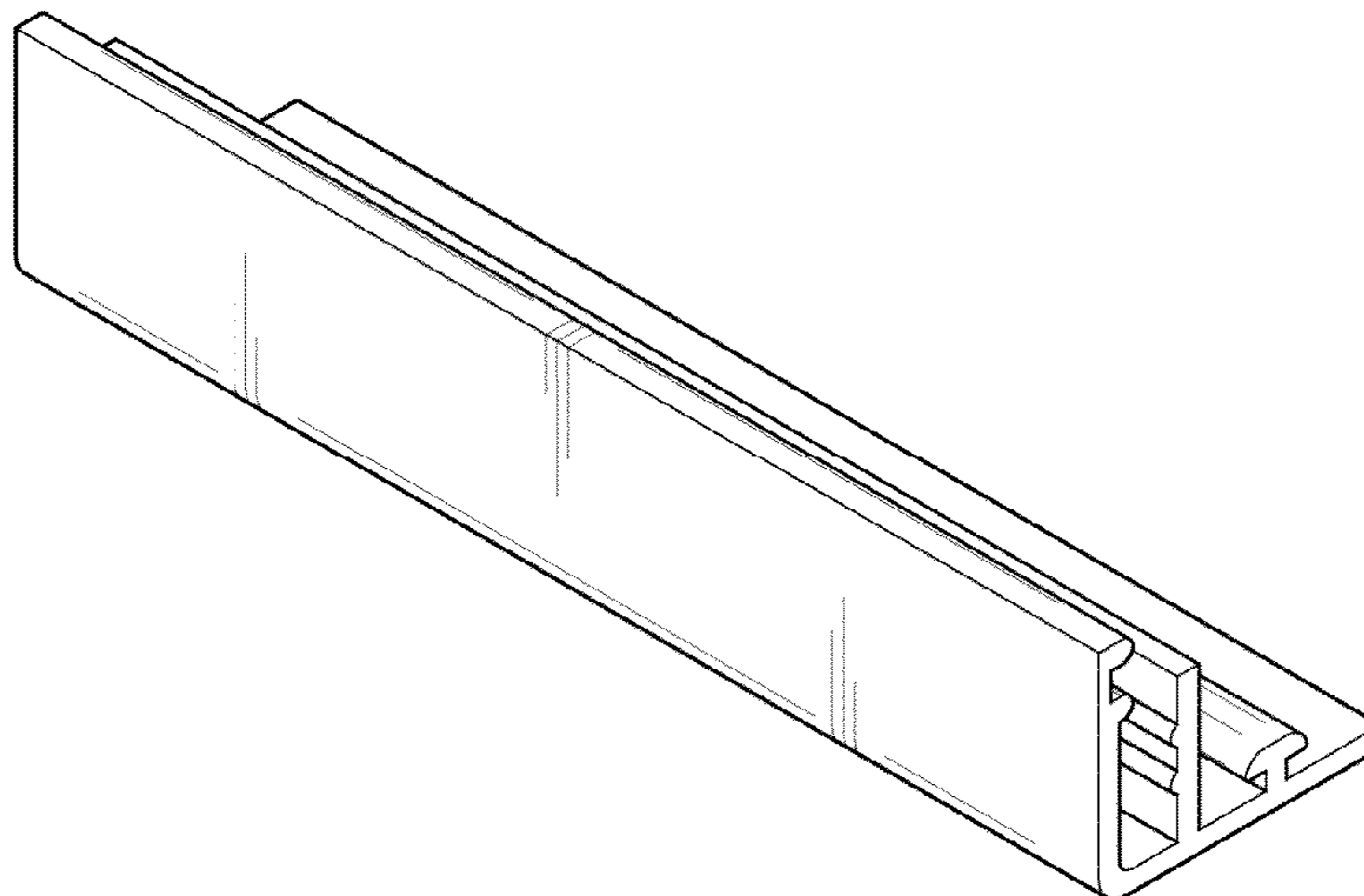


FIG. 1

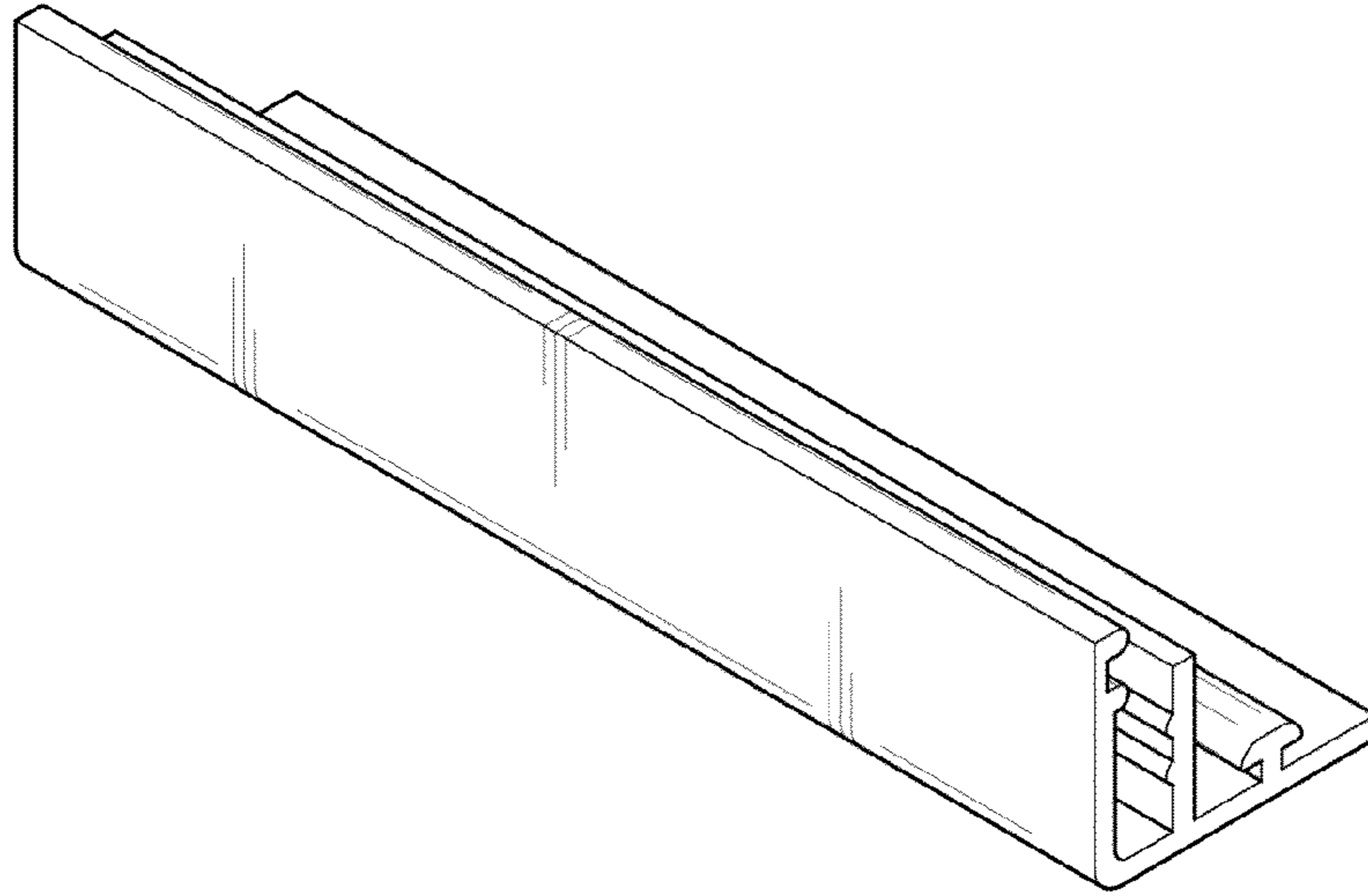


FIG. 2

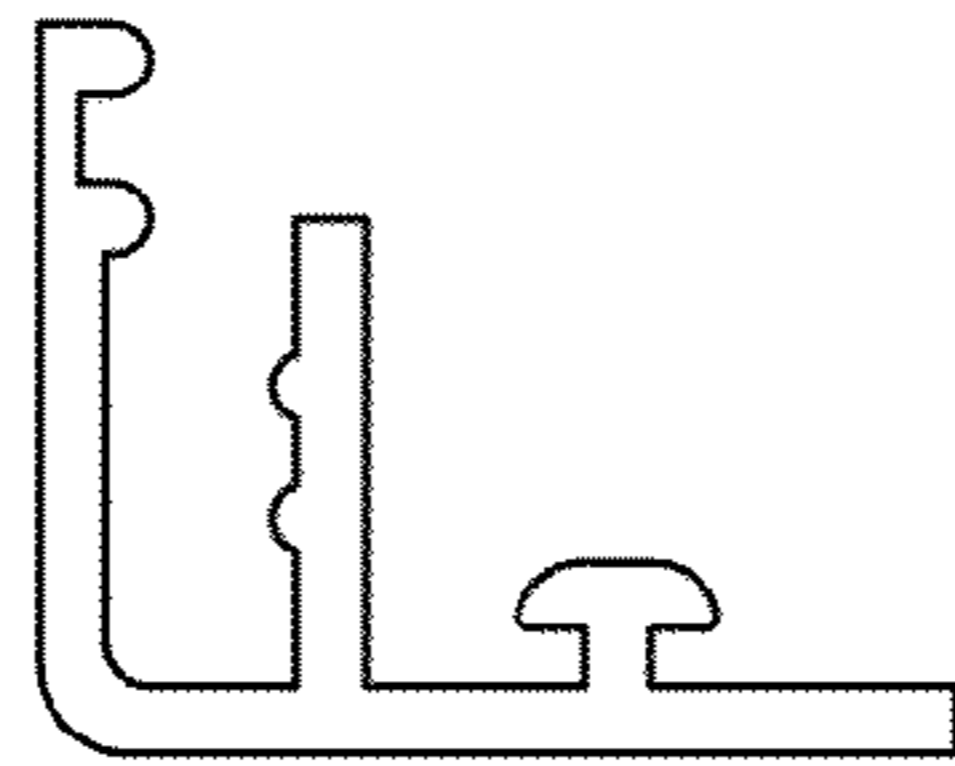


FIG. 3

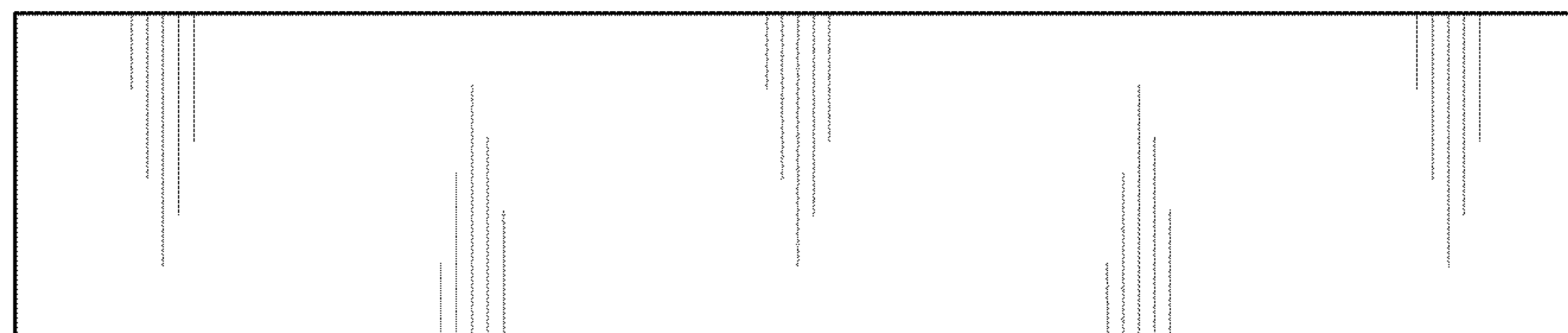


FIG. 4

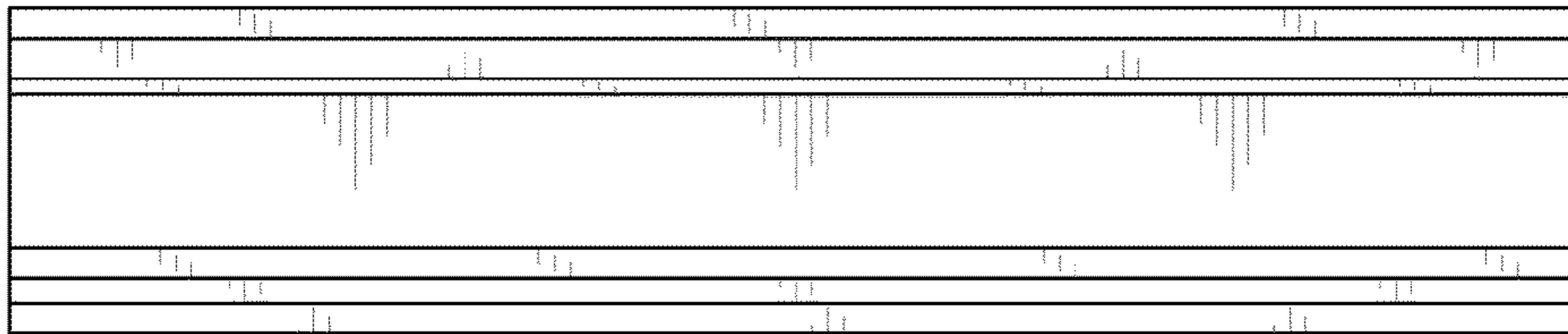


FIG. 5

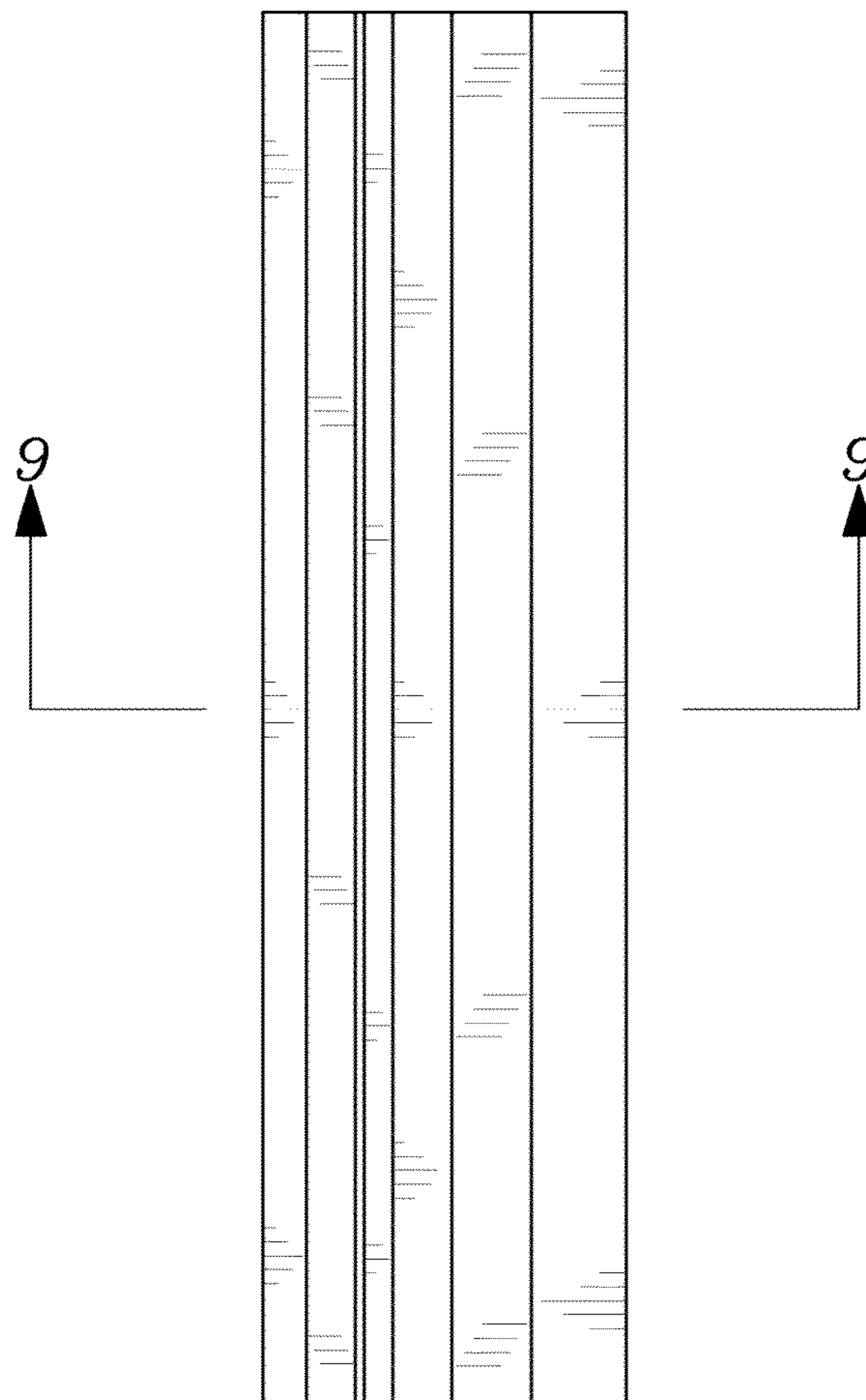


FIG. 6

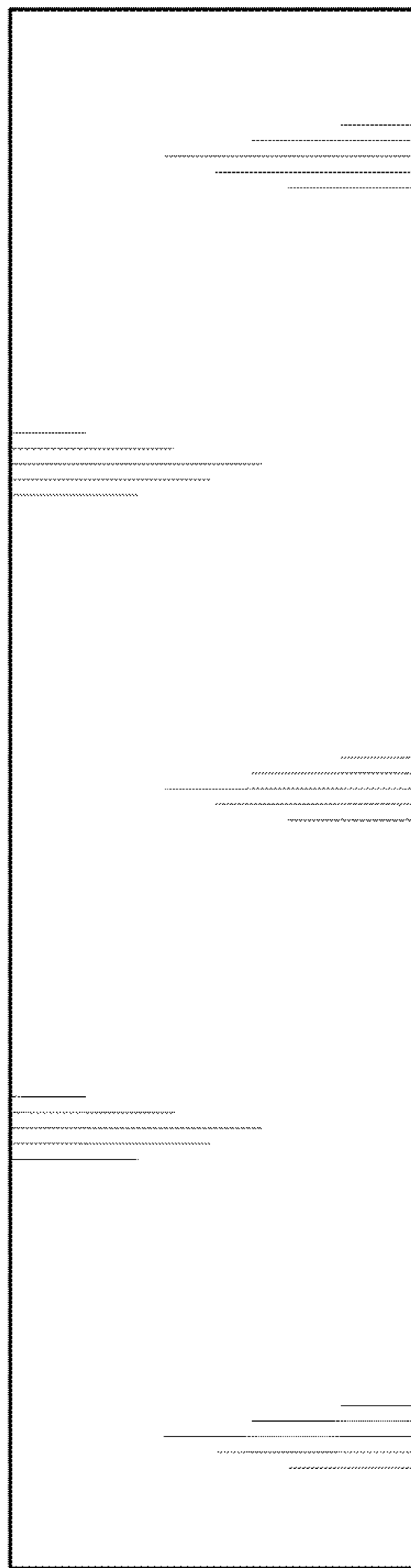


FIG. 7

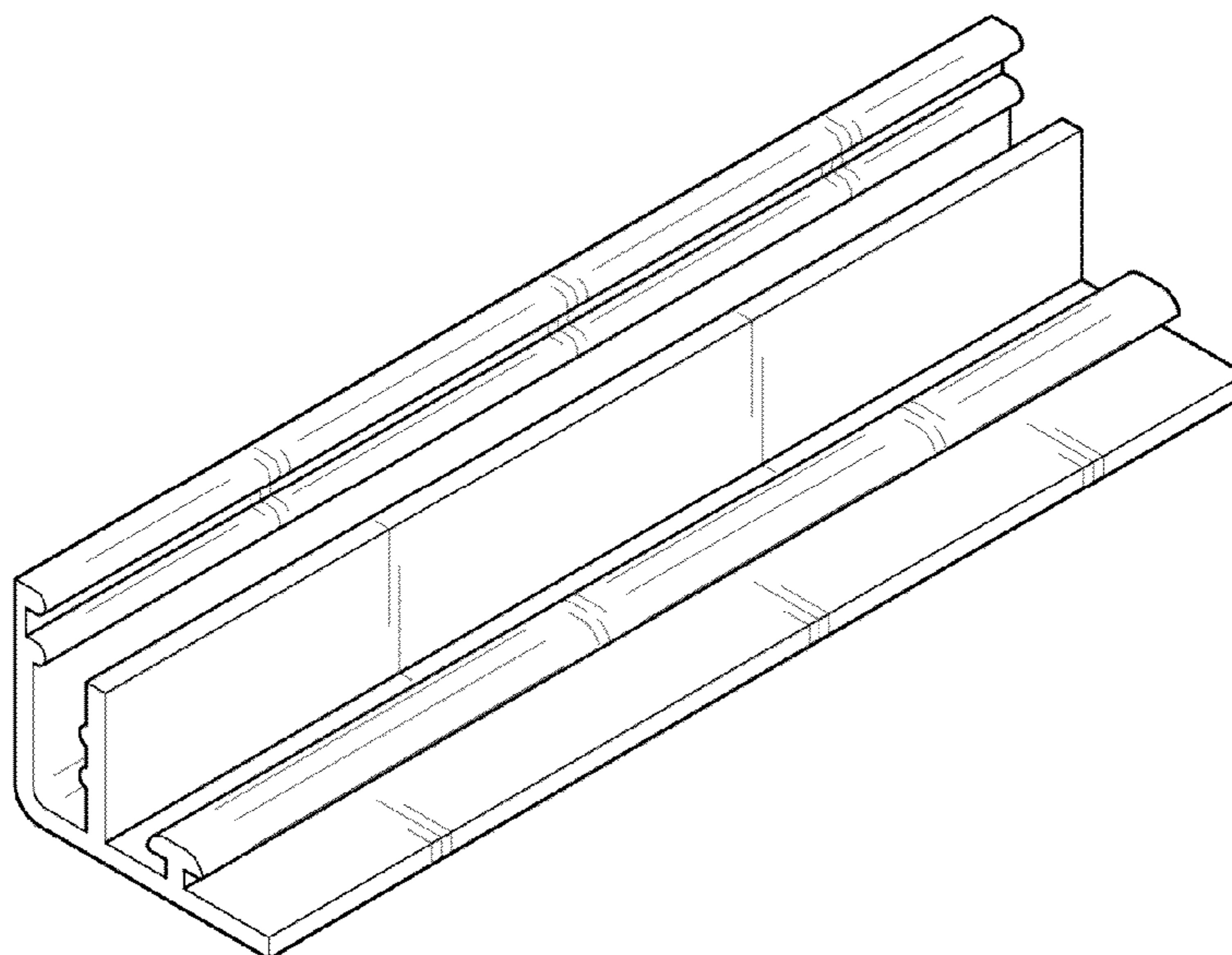


FIG. 8

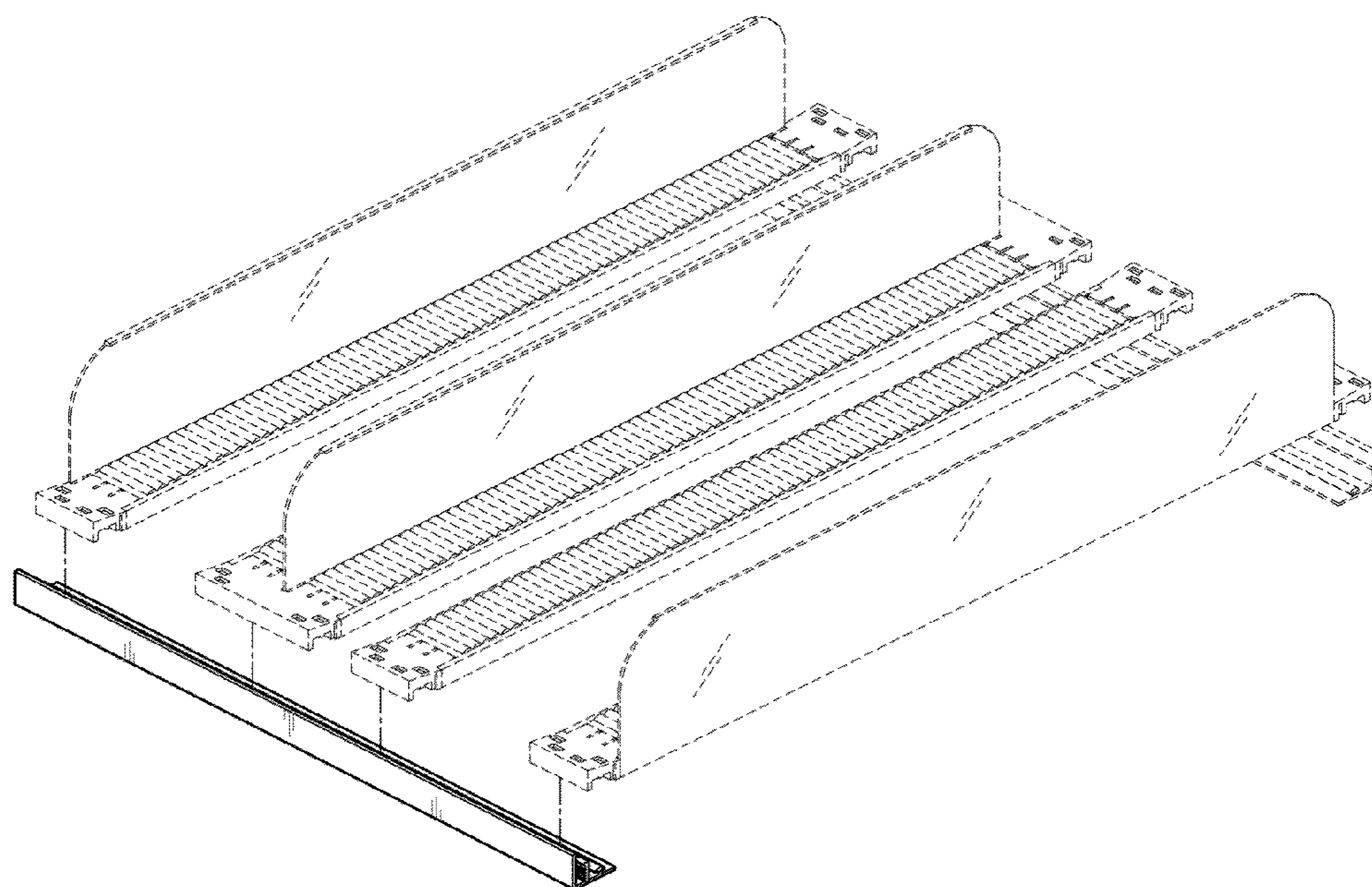


FIG. 9

