



US00D702464S

(12) **United States Design Patent**
Stanavich

(10) **Patent No.:** **US D702,464 S**
(45) **Date of Patent:** **** Apr. 15, 2014**

- (54) **SHELVING UNIT**
- (71) Applicant: **David Stanavich**, Brooklyn, NY (US)
- (72) Inventor: **David Stanavich**, Brooklyn, NY (US)
- (73) Assignee: **Wax Rax, Inc.**, Brooklyn, NY (US)
- (**) Term: **14 Years**
- (21) Appl. No.: **29/470,221**
- (22) Filed: **Oct. 18, 2013**
- (51) **LOC (10) Cl.** **06-06**
- (52) **U.S. Cl.**
USPC **D6/683.1**
- (58) **Field of Classification Search**
USPC D6/432-433, 436, 466-468, 475-476,
D6/509-511, 683, 683.1-683.2; D3/304,
D3/313-315, 319; D9/341, 345, 347, 424;
211/11, 134, 135, 153, 189, 126, 128,
211/133; 206/555, 558, 566, 561-562;
312/198, 138.1, 204, 213, 348.4
See application file for complete search history.

4,775,057	A	*	10/1988	Zingesser	211/133.1
4,974,733	A	*	12/1990	Evans	211/11
D352,965	S	*	11/1994	Stravitz	D19/90
5,405,020	A	*	4/1995	Fotioo	211/46
D389,869	S	*	1/1998	Stravitz	D19/75
D393,554	S	*	4/1998	Baluk et al.	D6/470
D465,108	S	*	11/2002	Gratiot	D6/468
D674,624	S	*	1/2013	Kassab et al.	D6/683.1

* cited by examiner

Primary Examiner — Kelley Donnelly

(74) *Attorney, Agent, or Firm* — Karan Singh; Ostrolenk Faber LLP

(57) **CLAIM**

The ornamental design for a shelving unit, as shown and described.

DESCRIPTION

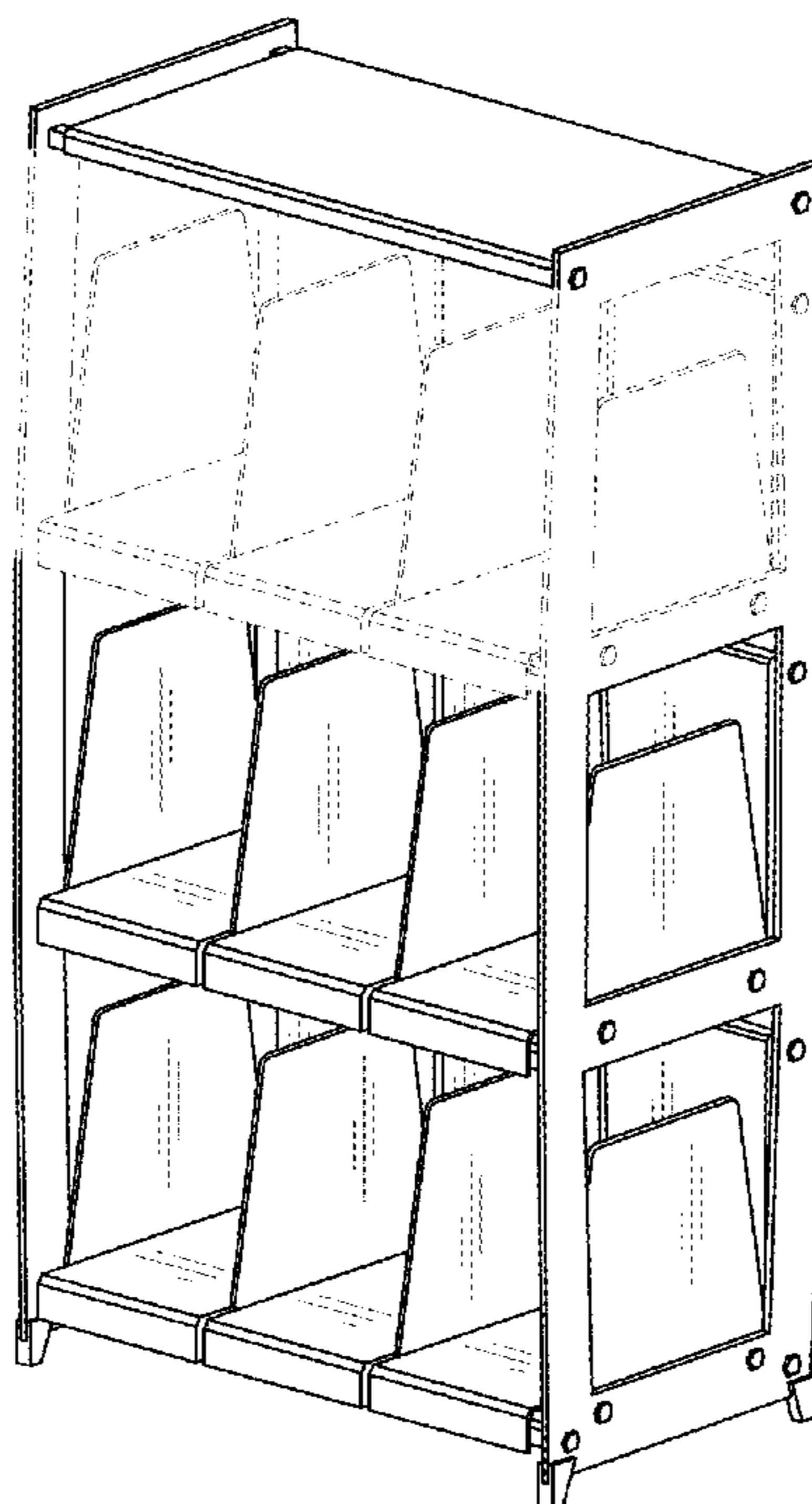
FIG. 1 is a front, top, side perspective view of a shelving unit showing my new design;
 FIG. 2 is a rear, top, side perspective view thereof;
 FIG. 3 is a front view thereof;
 FIG. 4 is a rear view thereof;
 FIG. 5 is a right side view thereof, the left side view being a mirror image;
 FIG. 6 is a top view thereof; and,
 FIG. 7 is a bottom view thereof.
 The broken lines in the drawings illustrate environmental material that form no part of the claimed design.

(56) **References Cited**

U.S. PATENT DOCUMENTS

D76,535	S	*	10/1928	Flanagan	D6/473
D199,943	S	*	12/1964	Elvestad	D6/566
D242,754	S	*	12/1976	Howard et al.	D6/473
D266,466	S	*	10/1982	Winter et al.	D6/473
4,369,887	A	*	1/1983	Emery	211/59.3
D272,400	S	*	1/1984	Persch	D6/473

1 Claim, 7 Drawing Sheets



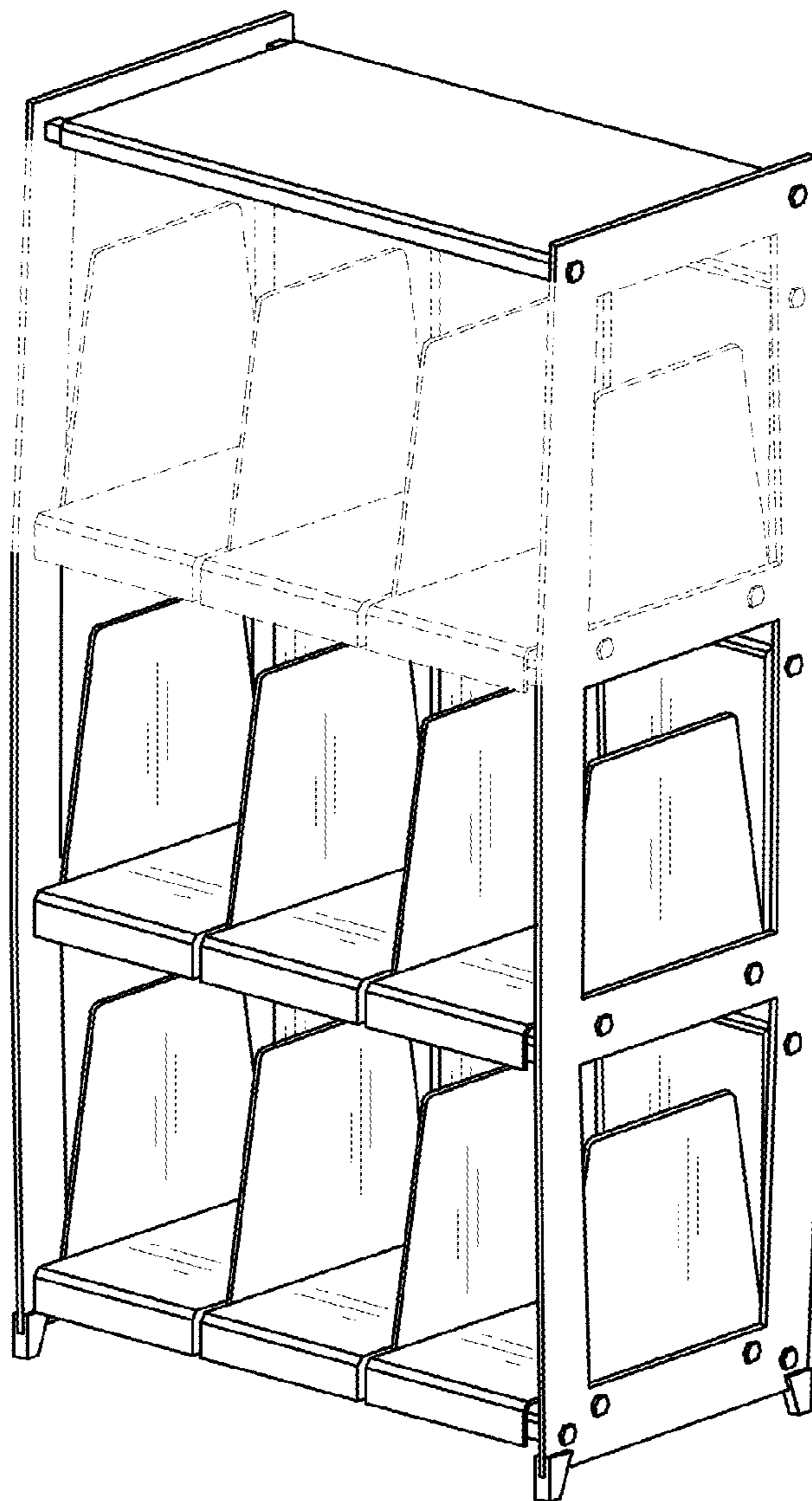


FIG. 1

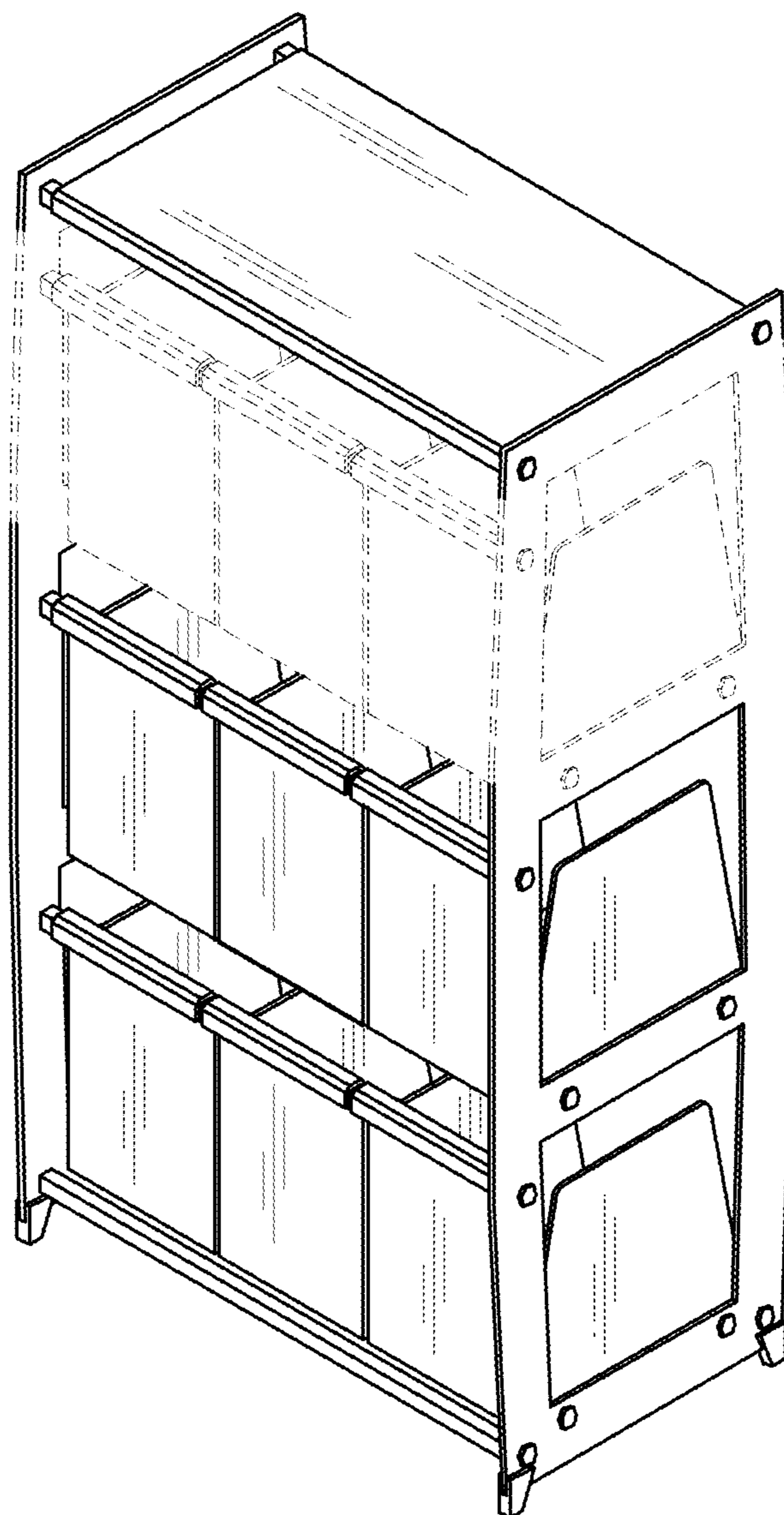


FIG. 2

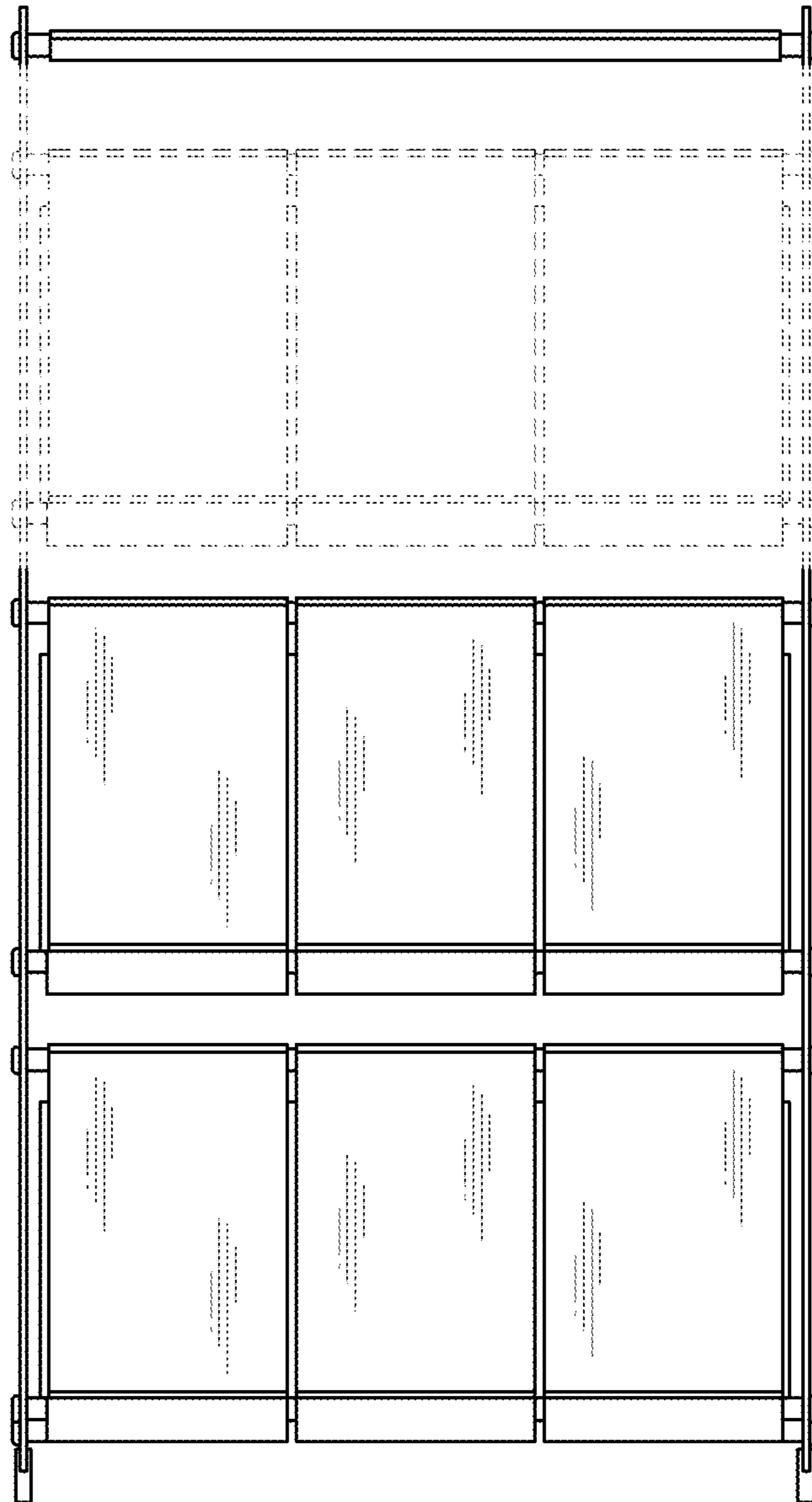


FIG. 3

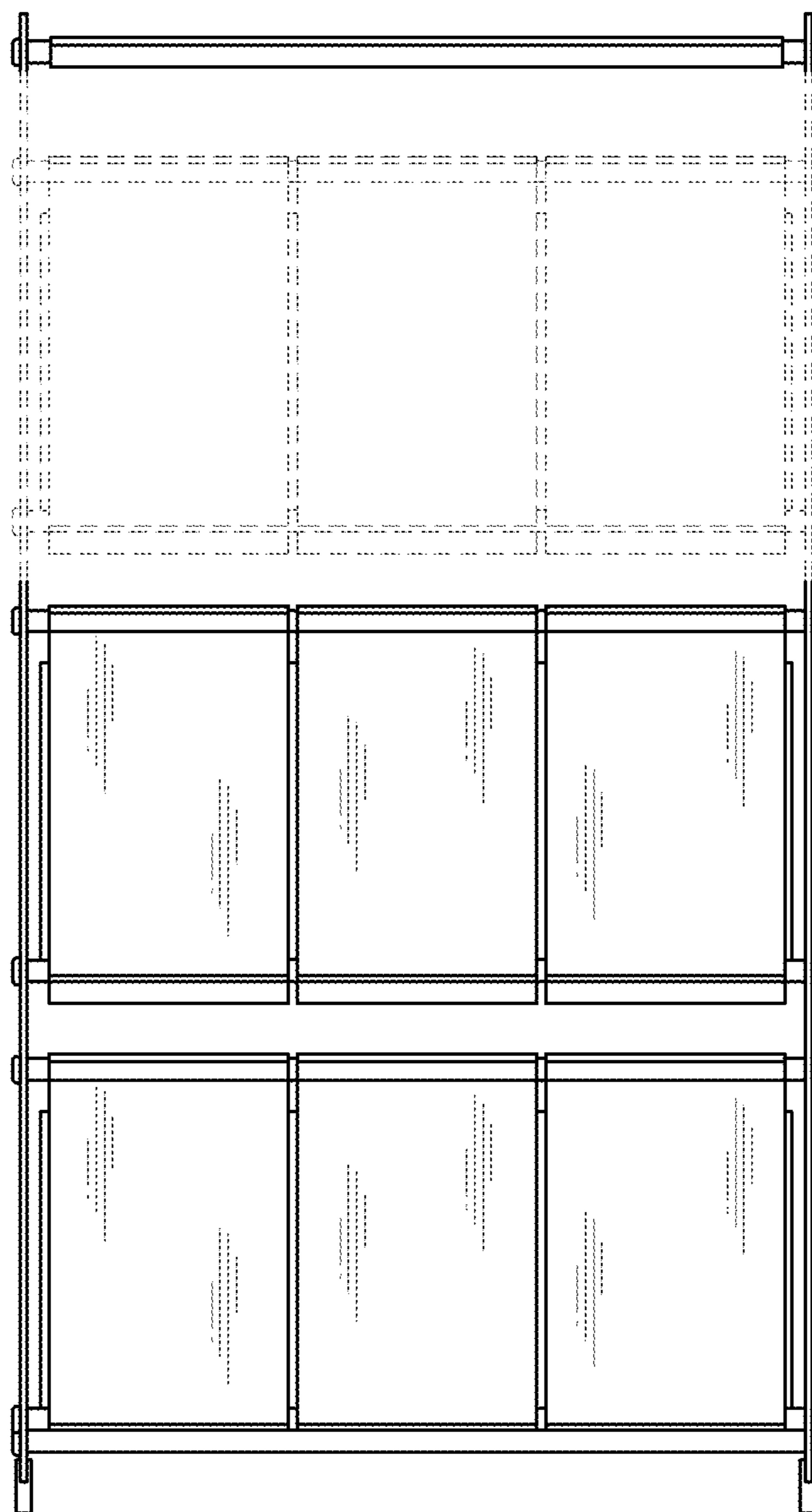


FIG. 4

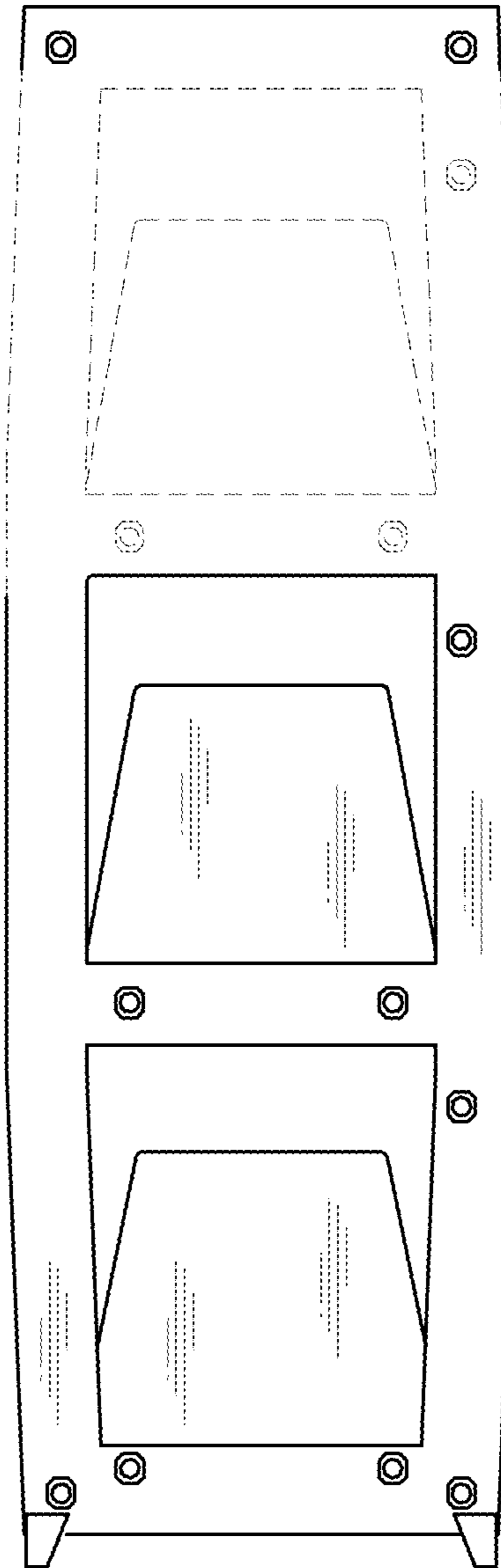


FIG. 5

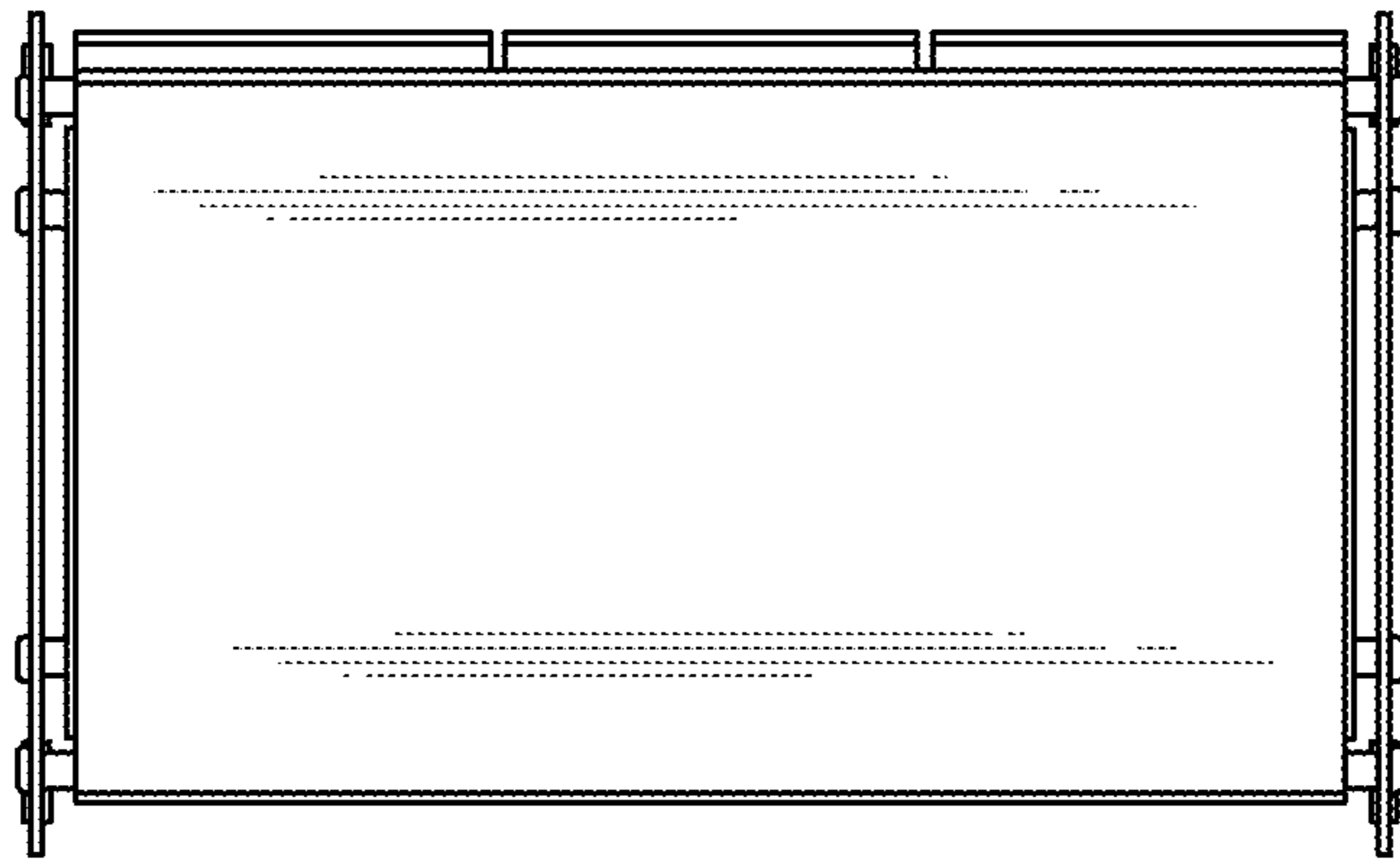


FIG. 6

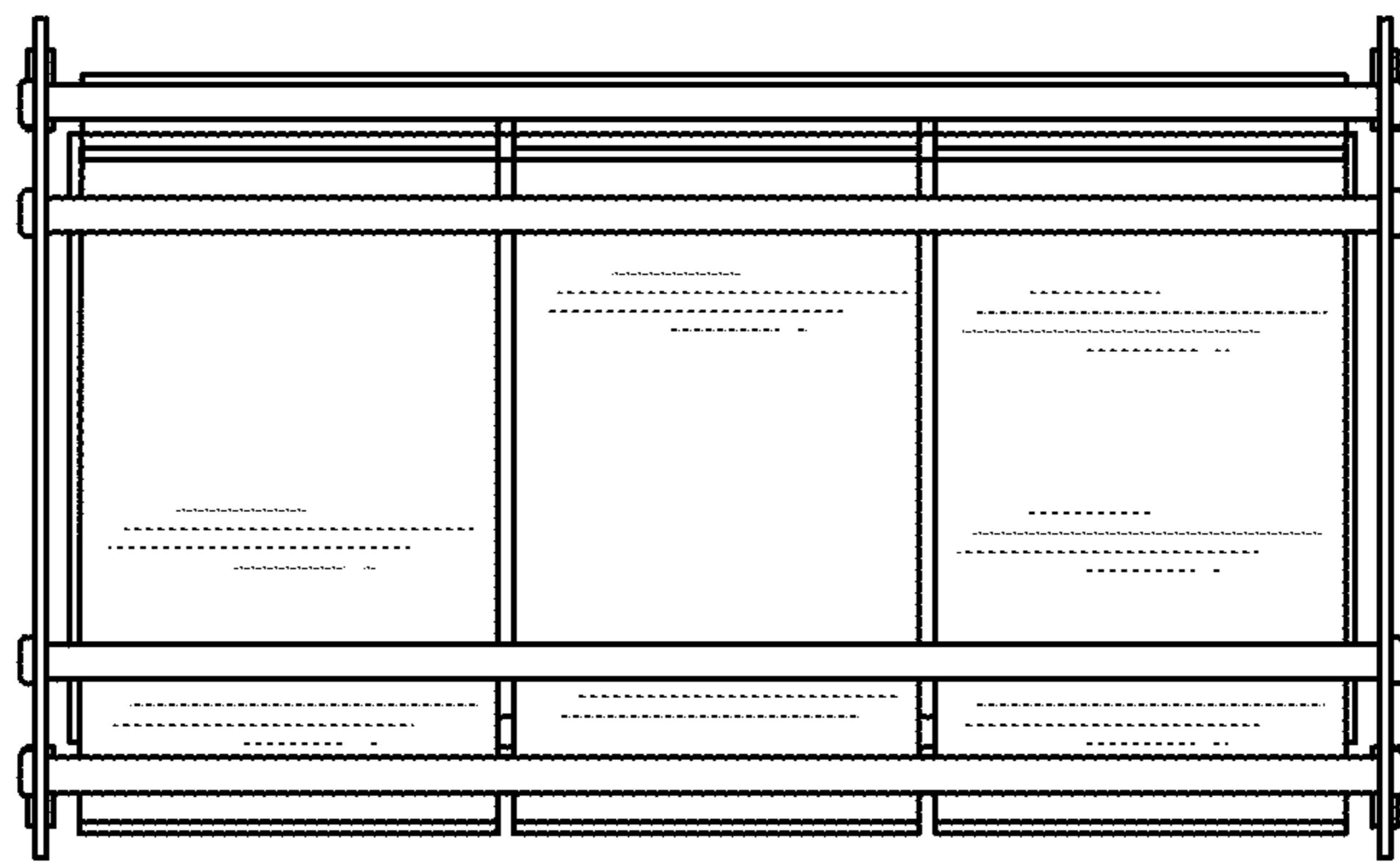


FIG. 7