



US00D702463S

(12) **United States Design Patent**
Stanavich

(10) **Patent No.:** **US D702,463 S**
(45) **Date of Patent:** **** Apr. 15, 2014**

- (54) **SHELVING UNIT**
- (71) Applicant: **David Stanavich**, Brooklyn, NY (US)
- (72) Inventor: **David Stanavich**, Brooklyn, NY (US)
- (73) Assignee: **Wax Rax, Inc.**, Brooklyn, NY (US)
- (**) Term: **14 Years**
- (21) Appl. No.: **29/470,215**
- (22) Filed: **Oct. 18, 2013**
- (51) **LOC (10) Cl.** **06-06**
- (52) **U.S. Cl.**
USPC **D6/683.1**
- (58) **Field of Classification Search**
USPC D6/432-433, 436, 466-468, 475-476,
D6/509-511, 683, 683.1-683.2; D3/304,
D3/313-315, 319; D9/341, 345, 347, 424;
211/11, 134, 135, 153, 189, 126, 128,
211/133; 206/555, 558, 566, 561-562;
312/198, 138.1, 204, 213, 348.4
See application file for complete search history.

- 4,091,933 A * 5/1978 Alexander 211/204
- D361,187 S * 8/1995 Snell D34/21
- 5,566,961 A * 10/1996 Snell et al. 280/47.35
- 8,191,910 B2 * 6/2012 Landau et al. 280/47.35

* cited by examiner

Primary Examiner — Kelley Donnelly

(74) *Attorney, Agent, or Firm* — Kara Singh; Ostrolenk Faber LLP

(57) **CLAIM**

The ornamental design for a shelving unit, as shown and described.

DESCRIPTION

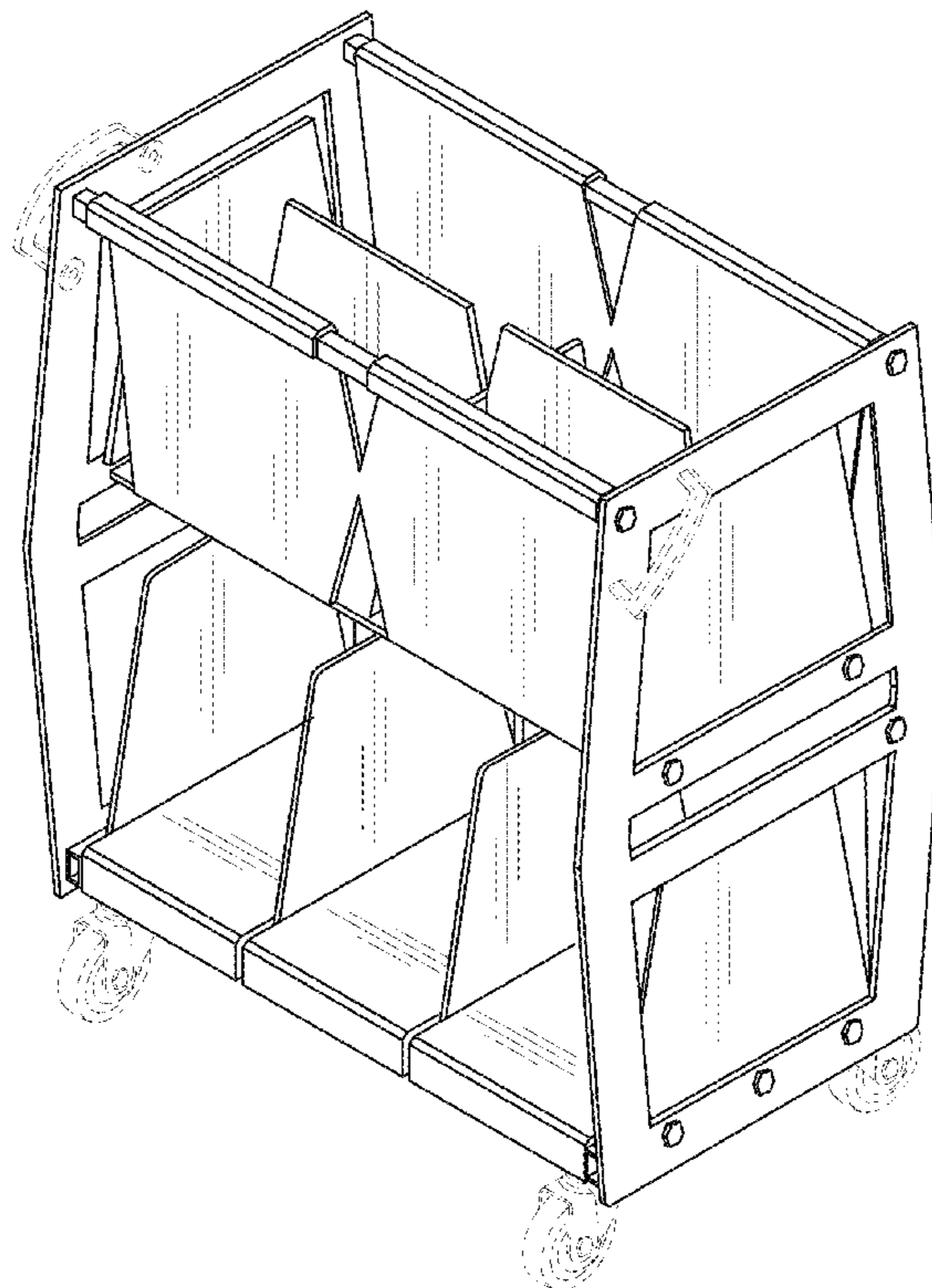
FIG. 1 is a front, top, side perspective view of a shelving unit showing my new design;
 FIG. 2 is a rear, top, side perspective view thereof;
 FIG. 3 is a front view thereof;
 FIG. 4 is a rear view thereof;
 FIG. 5 is a left side view thereof, the right side view being a mirror image;
 FIG. 6 is a top view thereof; and,
 FIG. 7 is a bottom view thereof.
 The broken lines in the drawings illustrate environmental material that form no part of the claimed design.

(56) **References Cited**

U.S. PATENT DOCUMENTS

- 2,336,802 A * 12/1943 Posner 211/162
- 3,977,527 A * 8/1976 Rose et al. 211/46

1 Claim, 7 Drawing Sheets



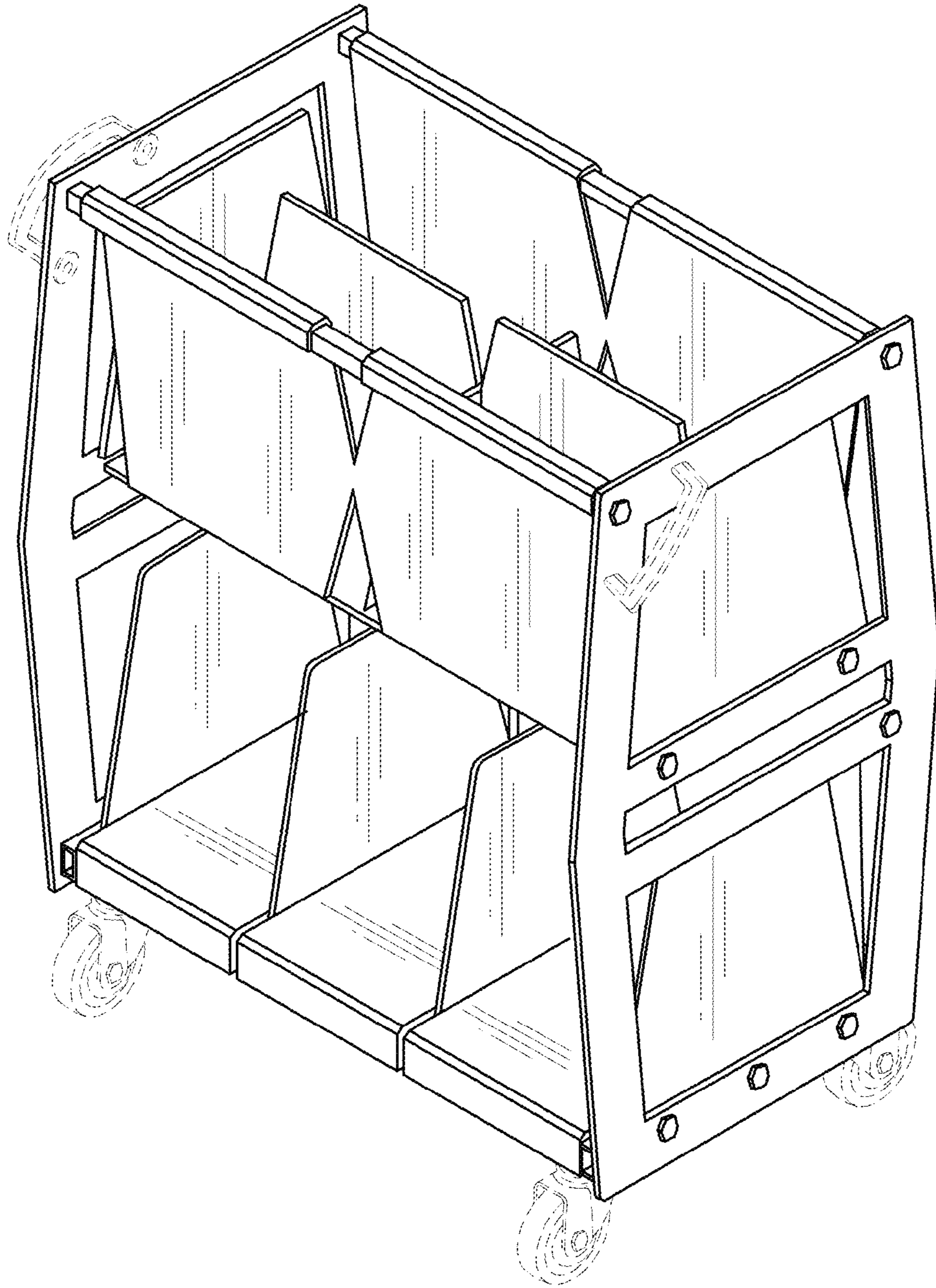


FIG. 1

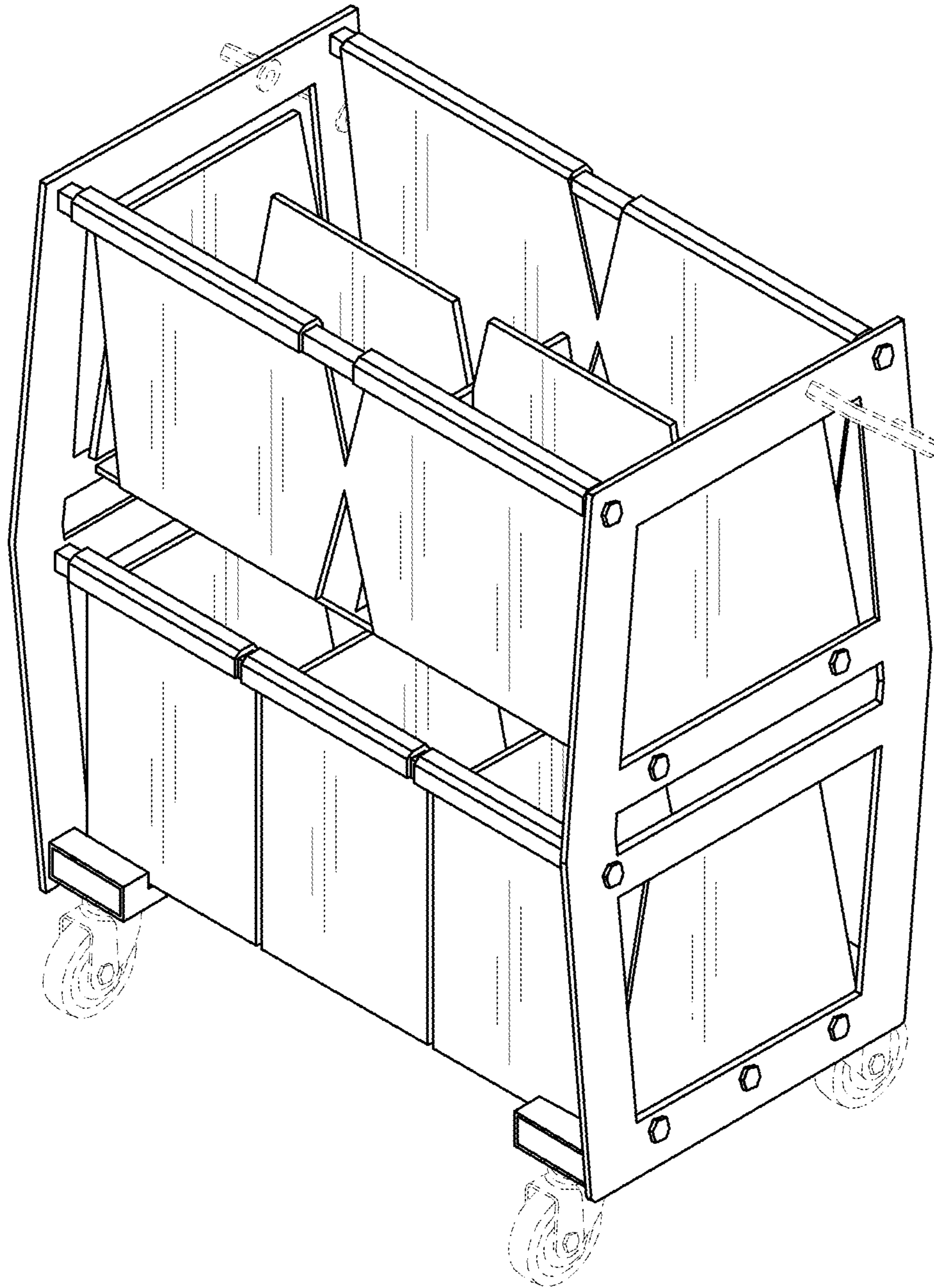


FIG. 2

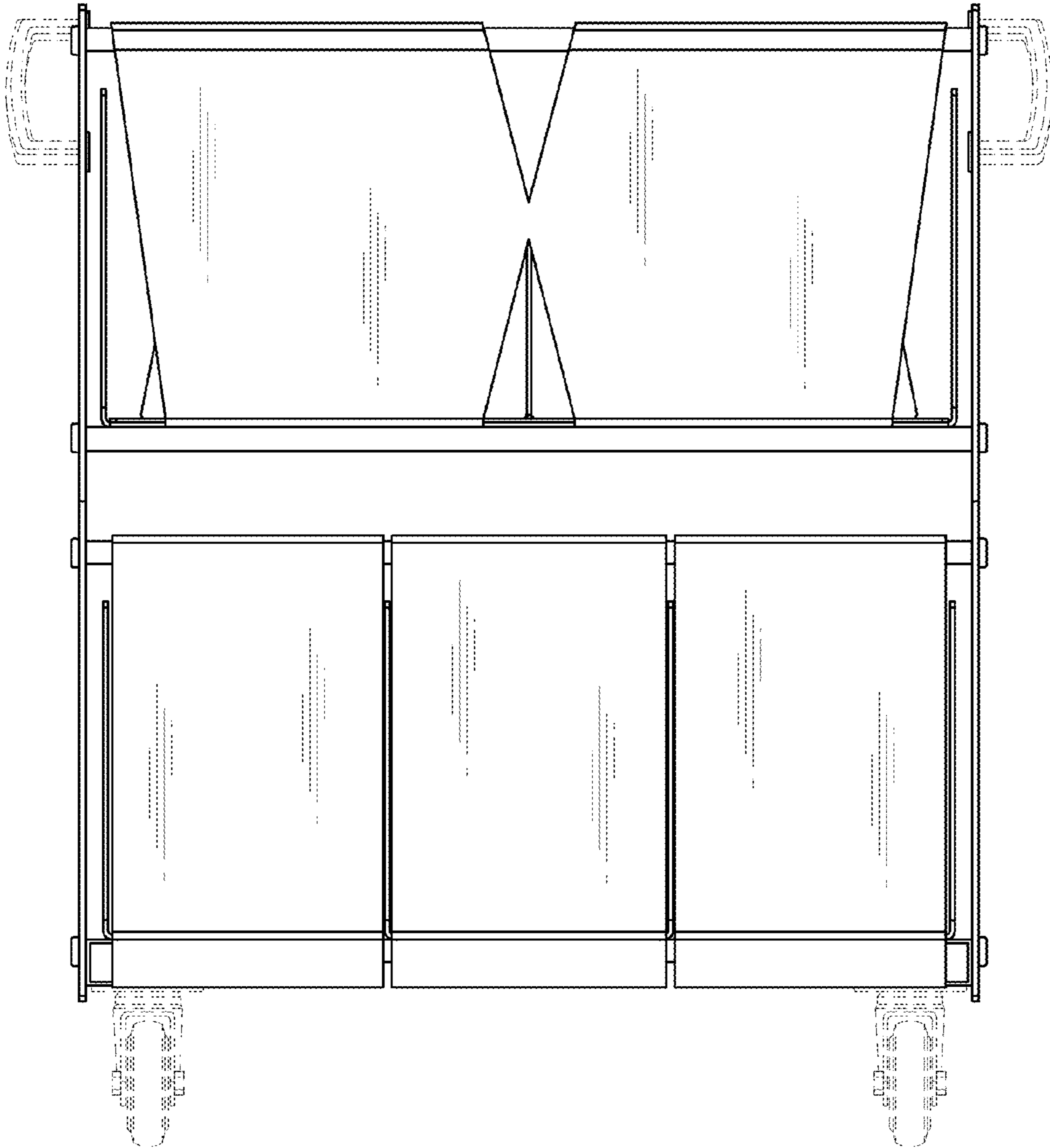


FIG. 3

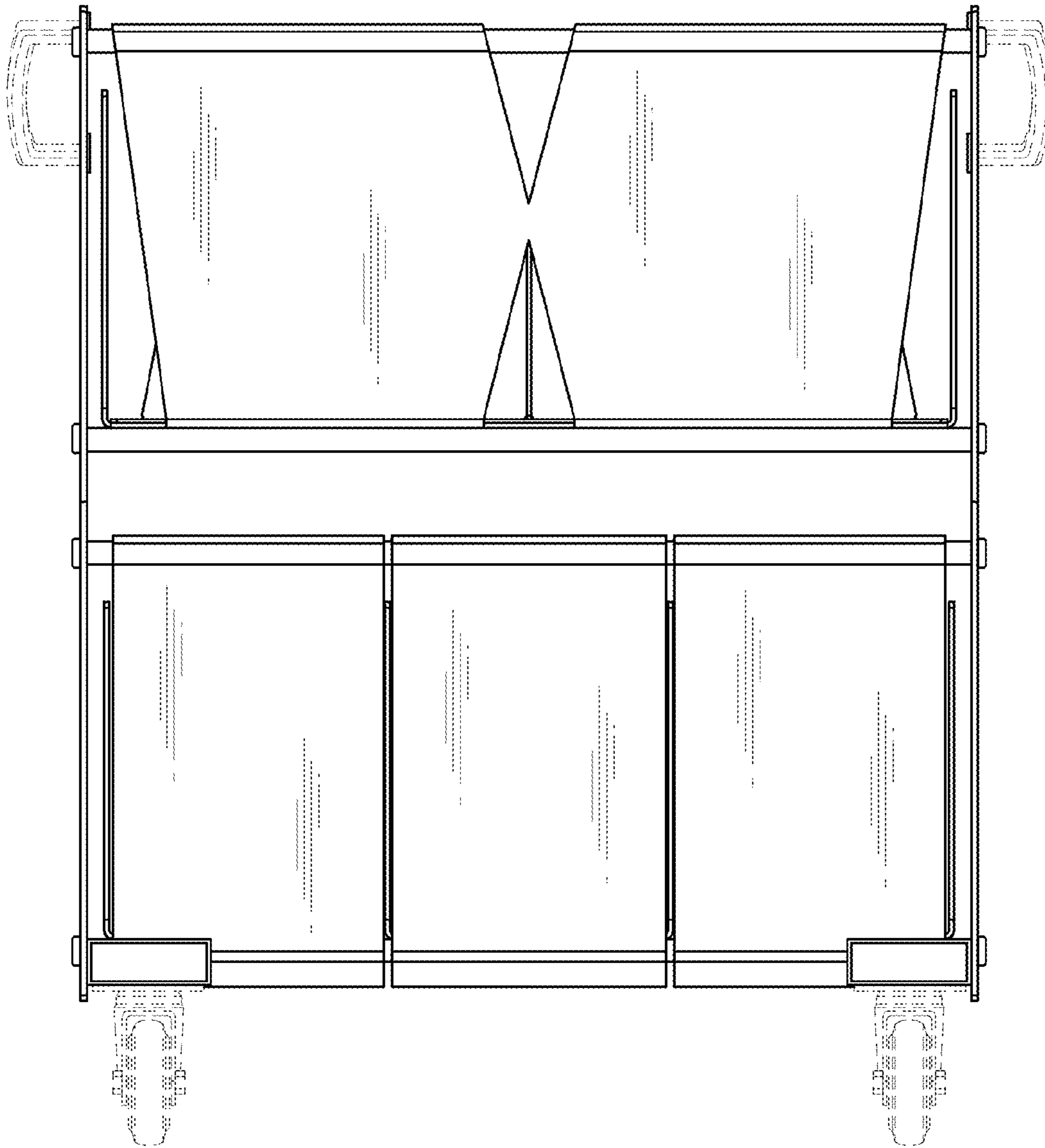


FIG. 4

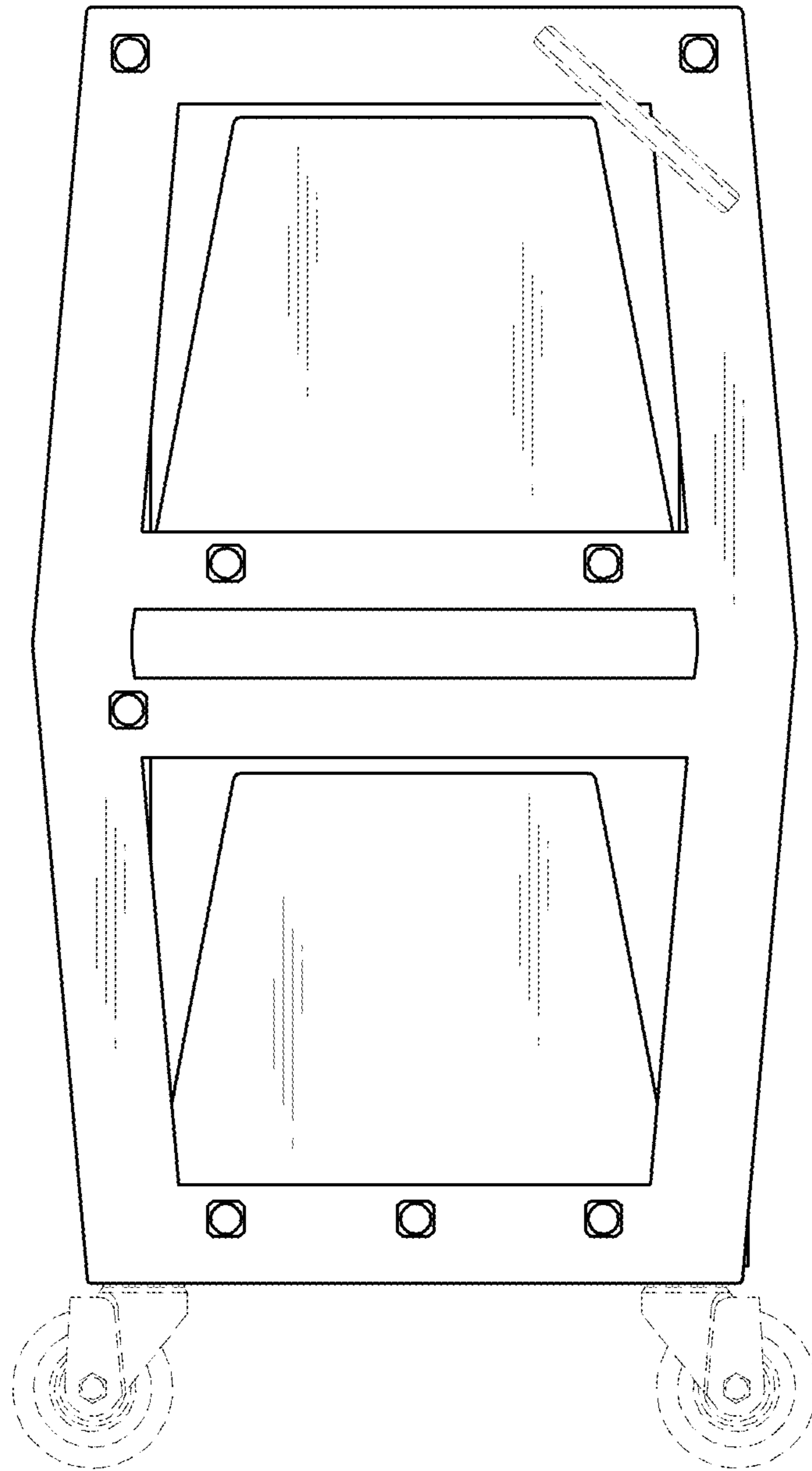


FIG. 5

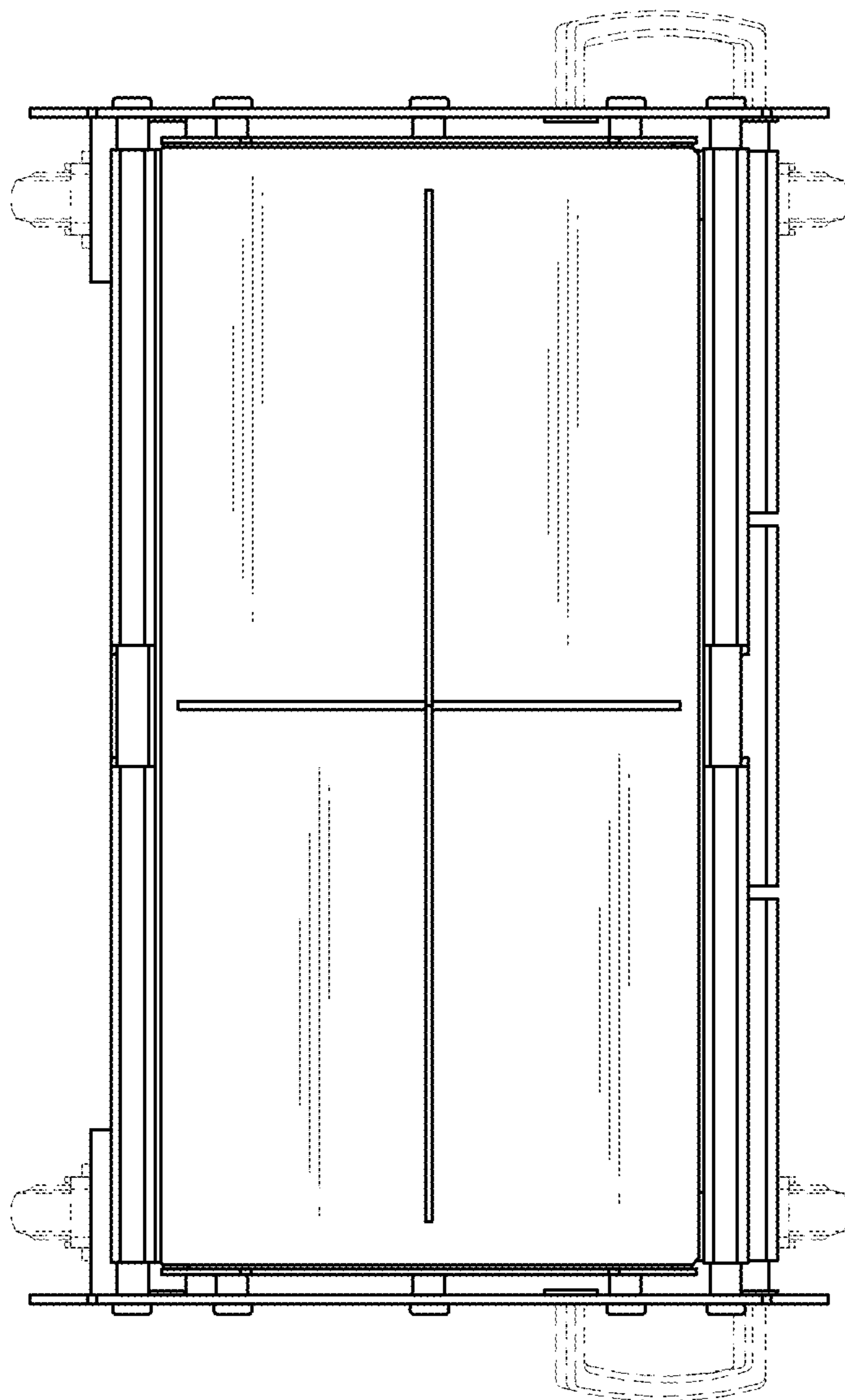


FIG. 6

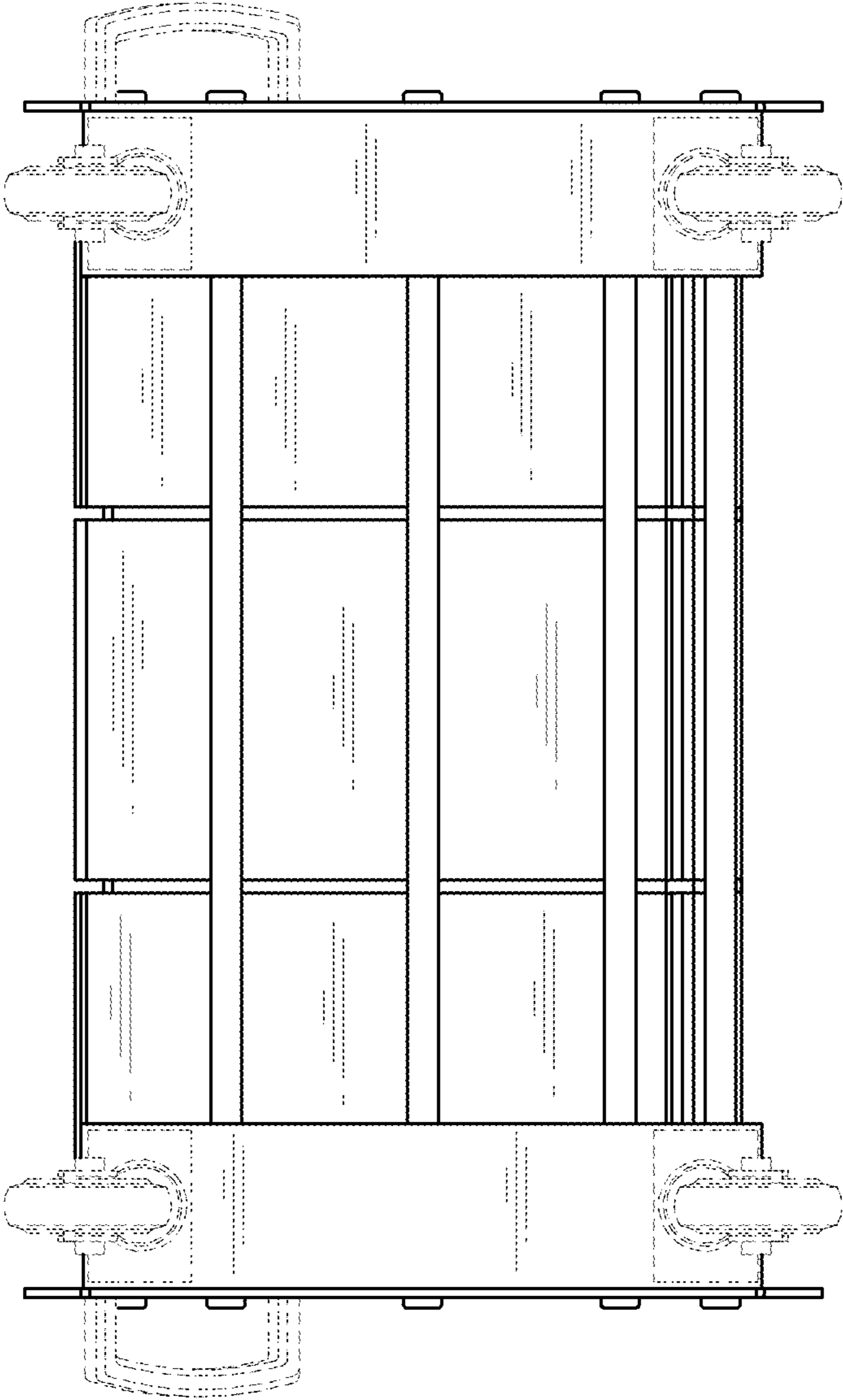


FIG. 7