

US00D702462S

(12) **United States Design Patent**
Roithner

(10) **Patent No.:** **US D702,462 S**

(45) **Date of Patent:** **** Apr. 15, 2014**

(54) **HOLDER**

(76) Inventor: **Thomas Roithner**, Vienna (AT)

(**) Term: **14 Years**

(21) Appl. No.: **29/424,384**

(22) Filed: **Jun. 12, 2012**

(30) **Foreign Application Priority Data**

Dec. 15, 2011 (EM) 001306187-0002

(51) **LOC (10) Cl.** **06-06**

(52) **U.S. Cl.**

USPC **D6/677**

(58) **Field of Classification Search**

USPC D6/396-397, 432, 436, 440-441, 449,
D6/466-467, 657, 663-664, 667, 672-673,
D6/677; D7/398, 601, 610, 701-708;
D9/418, 425, 435, 438; 119/61.53;
206/30, 85.2, 163-165; 248/175,
248/465.1, 511-512, 519

See application file for complete search history.

(56) **References Cited**

U.S. PATENT DOCUMENTS

D392,514 S * 3/1998 Steinfels D7/624.1
5,878,989 A * 3/1999 Allman 248/522

D476,891 S * 7/2003 Clarke et al. D9/447
D528,417 S * 9/2006 Matsuda et al. D9/439
D557,519 S * 12/2007 Strawbridge D6/470
D582,327 S * 12/2008 Ratcliffe D12/197
D608,084 S * 1/2010 Anson et al. D3/203.3
D628,485 S * 12/2010 Golota et al. D9/456
D645,308 S * 9/2011 Palmby D7/624.1
D655,000 S * 2/2012 Mirigian D24/130
D671,336 S * 11/2012 Weldon D6/472
D676,353 S * 2/2013 Bycraft D11/130.1

* cited by examiner

Primary Examiner — Kelley Donnelly

(74) *Attorney, Agent, or Firm* — Cozen O'Connor

(57) **CLAIM**

The ornamental design for a holder, as shown and described.

DESCRIPTION

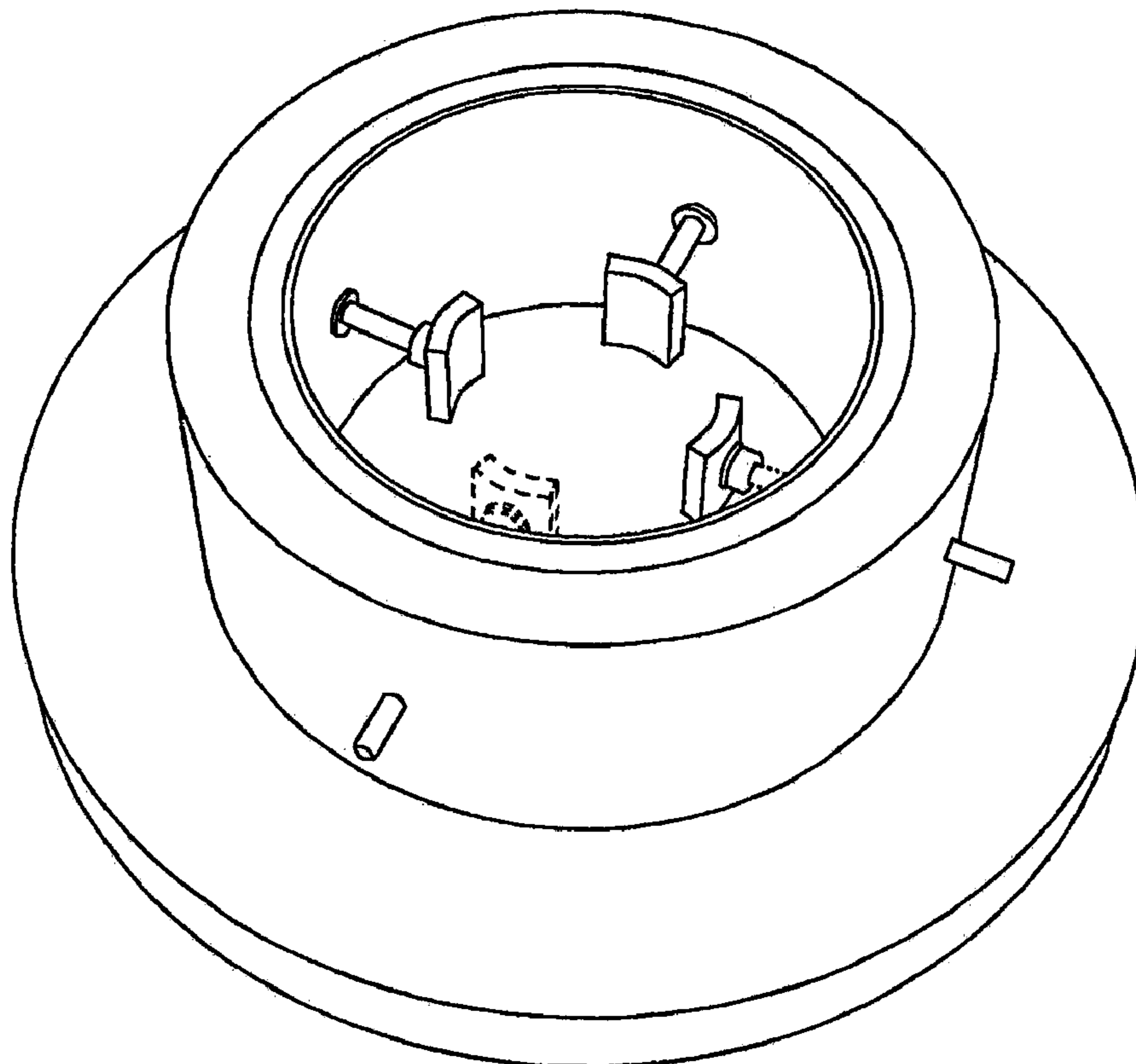
FIG. 1 shows a perspective view of a holder with the top cover fully removed;

FIG. 2 shows a perspective view of the holder of FIG. 1 with the top cover partially removed; and,

FIG. 3 shows a perspective view of the holder of FIGS. 1 and 2 with the top cover in place in its intended manner.

The broken lines form no part of the claimed design.

1 Claim, 2 Drawing Sheets



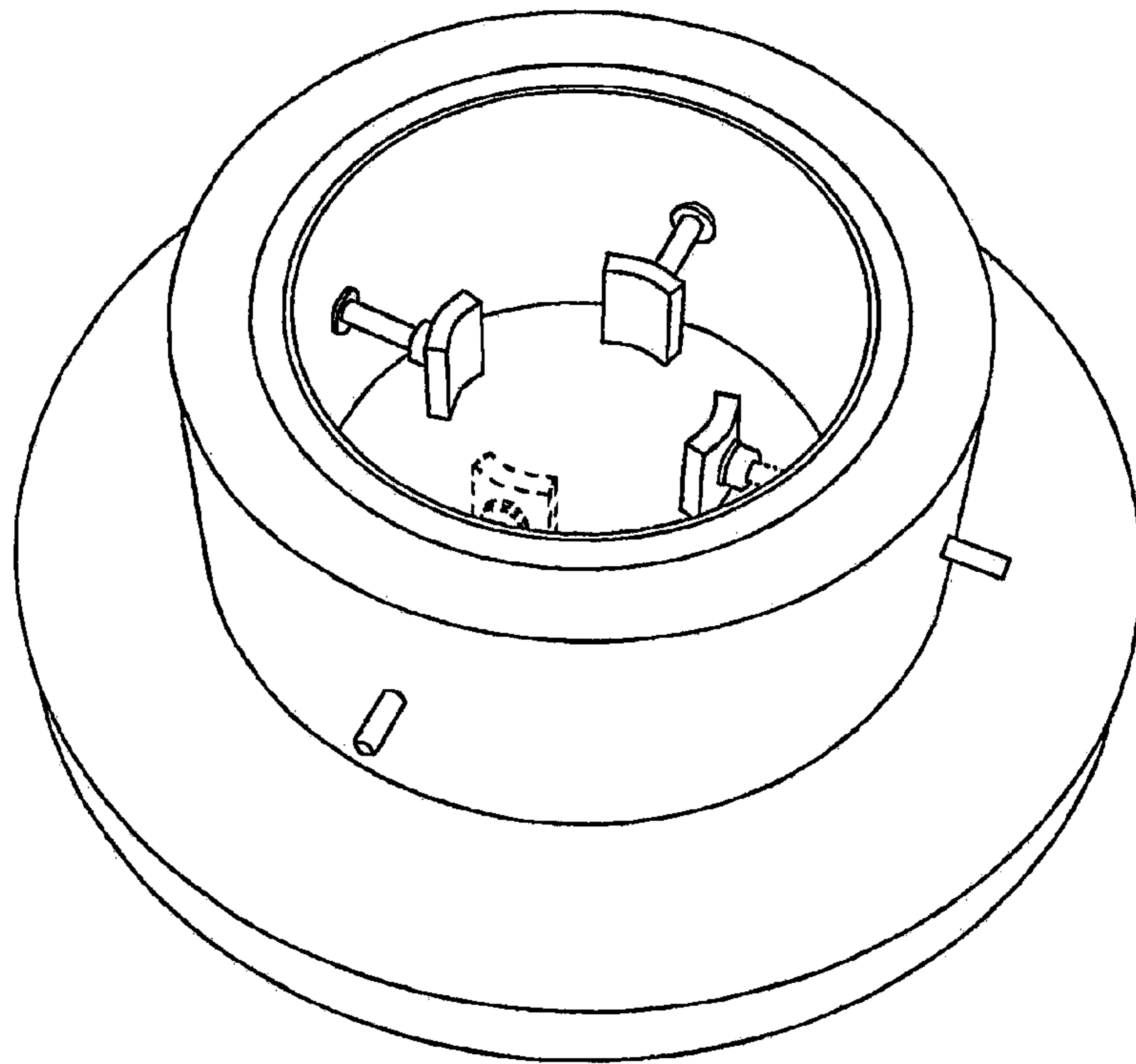


FIGURE 1

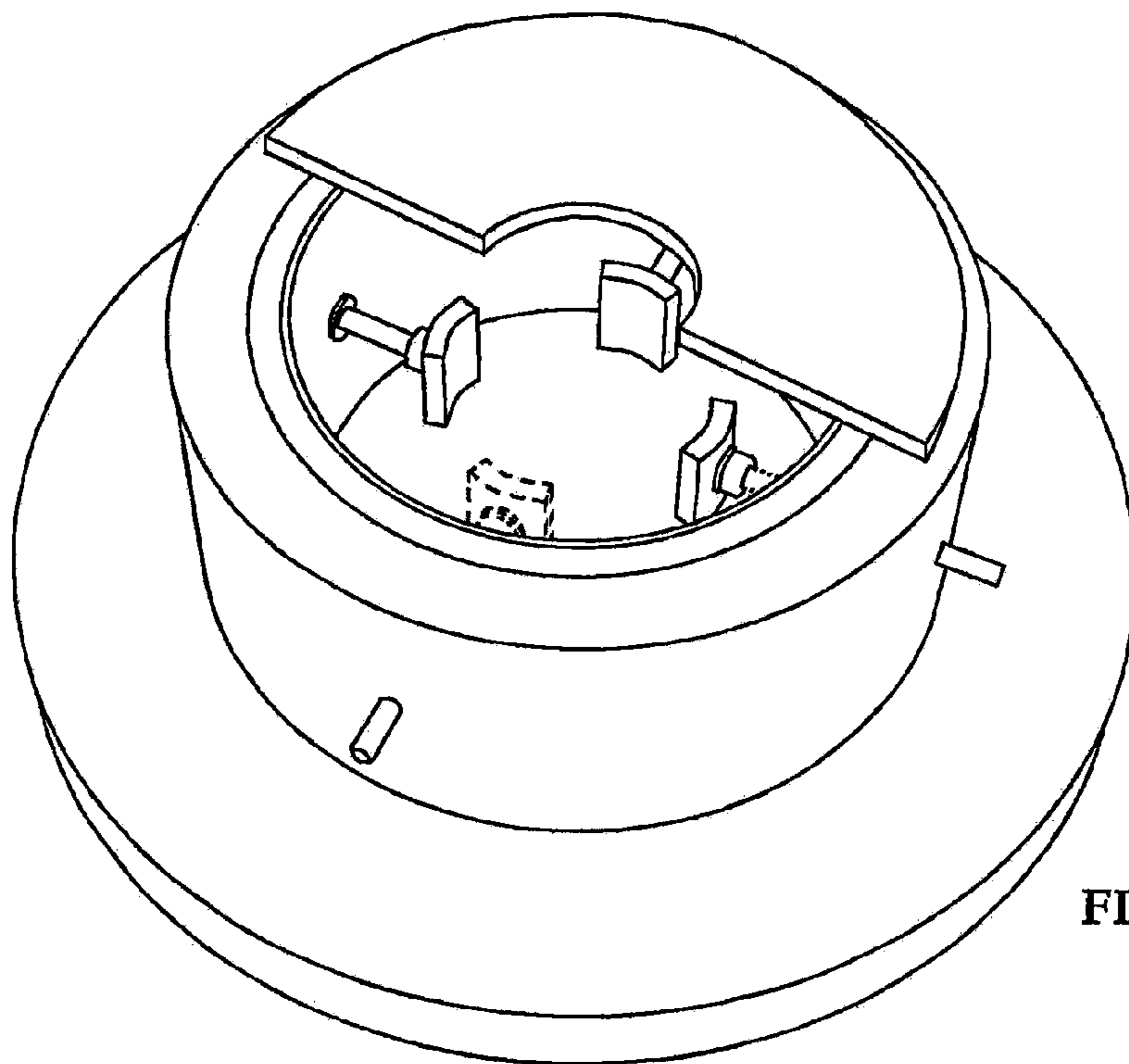


FIGURE 2

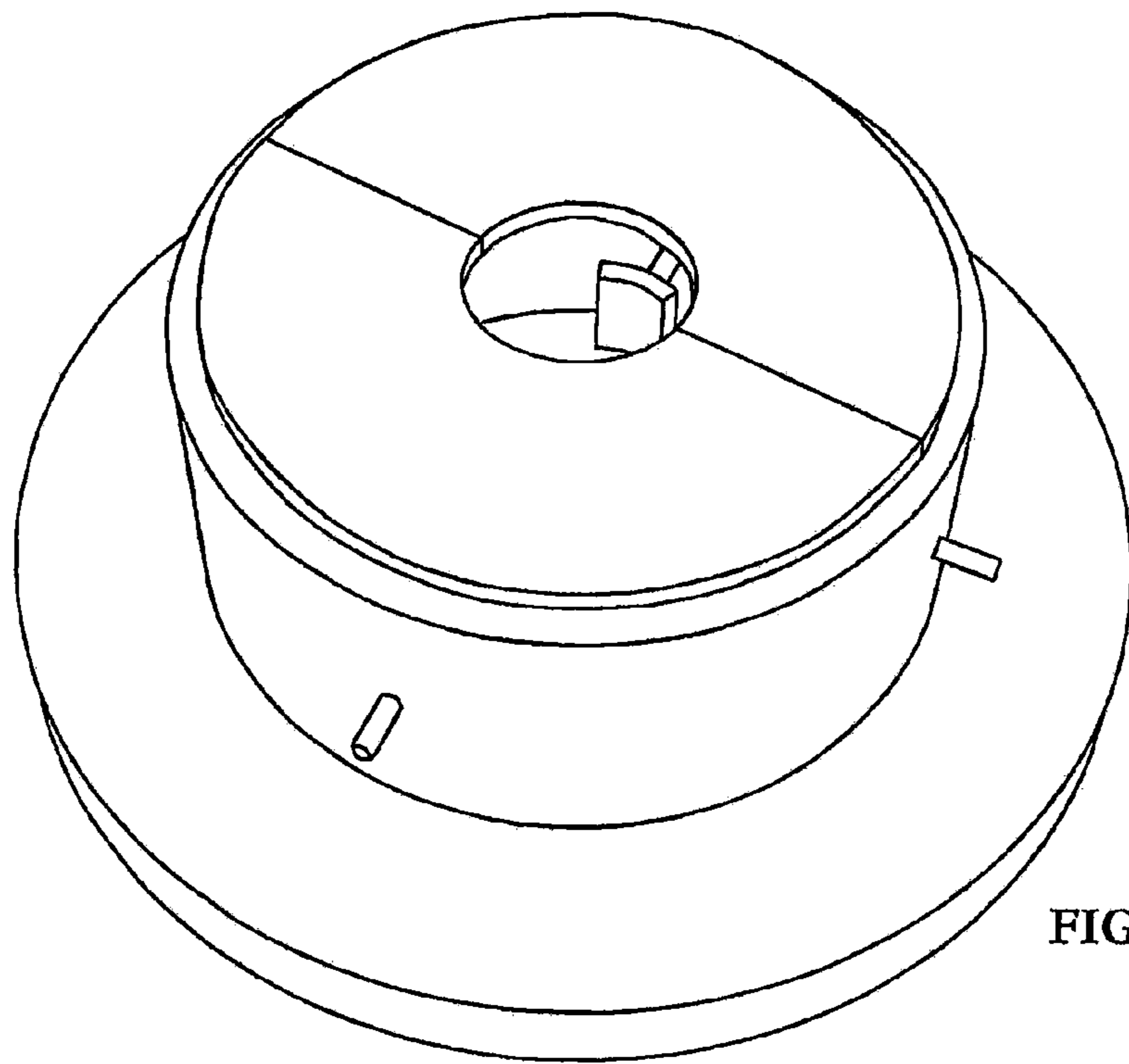


FIGURE 3