



US00D702457S

(12) **United States Design Patent**
Williams et al.

(10) **Patent No.:** **US D702,457 S**
(45) **Date of Patent:** **** Apr. 15, 2014**

(54) **HOLDER FOR A CLEANING IMPLEMENT**

(71) Applicants: **Neil P. Williams**, Racine, WI (US);
Christopher Conley, Milwaukee, WI (US); **Jo Anthony Sasota**, Milwaukee, WI (US); **Chrysoula Myrto Nigl**, Highland Park, IL (US); **Heather Harwood**, Oak Creek, WI (US); **Christopher Alan Harris**, Madison, WI (US); **Christopher T. Strahm**, Deforest, WI (US)

(72) Inventors: **Neil P. Williams**, Racine, WI (US); **Christopher Conley**, Milwaukee, WI (US); **Jo Anthony Sasota**, Milwaukee, WI (US); **Chrysoula Myrto Nigl**, Highland Park, IL (US); **Heather Harwood**, Oak Creek, WI (US); **Christopher Alan Harris**, Madison, WI (US); **Christopher T. Strahm**, Deforest, WI (US)

(73) Assignee: **S.C. Johnson & Son, Inc.**, Racine, WI (US)

(**) Term: **14 Years**

(21) Appl. No.: **29/462,512**

(22) Filed: **Aug. 5, 2013**

(51) **LOC (10) Cl.** **06-04**

(52) **U.S. Cl.**
USPC **D6/551; D6/524**

(58) **Field of Classification Search**
USPC D6/524, 525, 527, 551; D34/1, 7, 10, D34/11, 8; 220/908, 908.1, 909, 910, 911; 206/207, 349, 361; 312/206, 207; 4/255.05, 255.11

See application file for complete search history.

(56) **References Cited**

U.S. PATENT DOCUMENTS

D272,874 S 3/1984 Cohen
D297,292 S 8/1988 Plymale

D298,712 S	11/1988	Mattei	
D329,561 S	9/1992	Nyorkor	
D413,419 S	8/1999	Arbak et al.	
D414,064 S	9/1999	Shafik	
D421,169 S	2/2000	Demore et al.	
D425,744 S *	5/2000	McGuire	D6/551
D450,964 S	11/2001	Johnson	
D471,393 S	3/2003	Hutchinson	
D477,483 S	7/2003	Brown et al.	
D482,920 S	12/2003	Libman et al.	
D483,164 S *	12/2003	Lin	D34/1
D484,292 S *	12/2003	Lin	D34/7
D488,902 S *	4/2004	Yang et al.	D34/8
D491,404 S	6/2004	Dotterman et al.	
D493,590 S	7/2004	Chen	
D493,994 S	8/2004	Belt et al.	
D495,182 S	8/2004	Vitantonio et al.	
D500,223 S	12/2004	Libman et al.	
D500,618 S *	1/2005	Nagoya	D6/551
D501,347 S	2/2005	Conway et al.	
D501,728 S	2/2005	Conway et al.	
D502,002 S	2/2005	Conway et al.	
D502,324 S	3/2005	Conway et al.	
7,044,299 B2 *	5/2006	Nagoya	206/361
7,059,008 B2	6/2006	Morgan et al.	
D525,467 S *	7/2006	Michelson et al.	D6/524

(Continued)

Primary Examiner — Brian N Vinson

(57) **CLAIM**

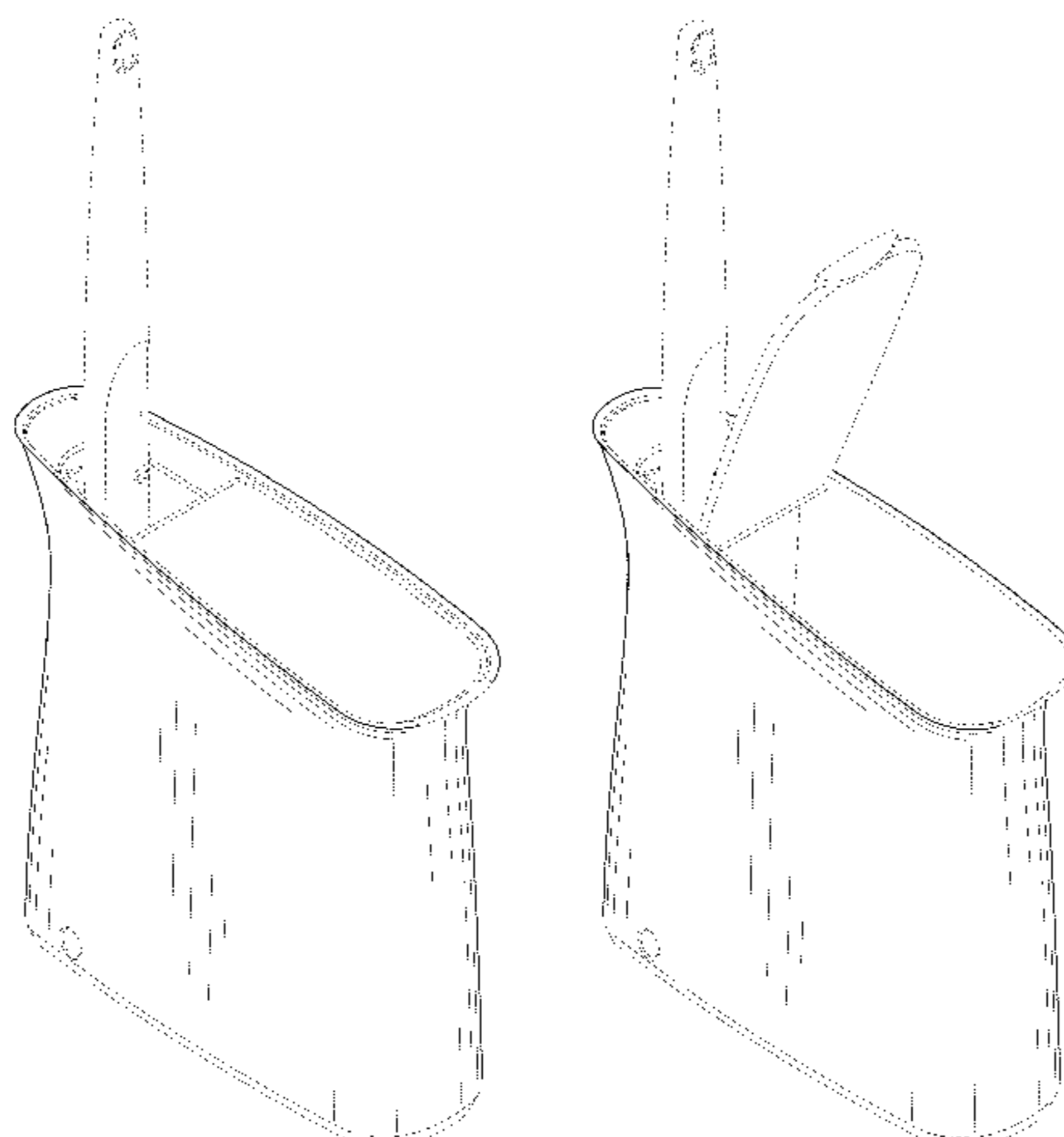
The ornamental design for a holder for a cleaning implement, as shown and described.

DESCRIPTION

FIG. 1 is a top, front, left perspective view of a holder for a cleaning implement our new design; FIG. 2 is a left side view thereof; FIG. 3 is a right side view thereof; FIG. 4 is a front view thereof; FIG. 5 is a back view thereof; FIG. 6 is a top view thereof; FIG. 7 is a bottom view thereof; and, FIG. 8 is a top, front left perspective view in an opened position thereof.

The broken line disclosure in the views represents unclaimed portions of the holder and a cleaning implement which is shown for illustrative purposes only.

1 Claim, 6 Drawing Sheets



(56)

References Cited

U.S. PATENT DOCUMENTS

D528,333 S *	9/2006	Wildauer et al.	D6/524	D596,820 S	7/2009	Yang et al.	
D532,564 S	11/2006	Neumann et al.		7,581,276 B2	9/2009	Endo et al.	
7,159,265 B2	1/2007	Soller et al.		D603,119 S	10/2009	Yang et al.	
D547,987 S *	8/2007	Yang et al.	D6/524	7,650,663 B2	1/2010	Michaels et al.	
7,316,046 B2	1/2008	Michaels et al.		7,669,715 B2 *	3/2010	Wang	206/349
D566,922 S	4/2008	Lee		7,827,648 B2	11/2010	Soller et al.	
D575,086 S *	8/2008	Savran	D6/524	D629,635 S *	12/2010	Raven	D6/524
D578,266 S	10/2008	Yang et al.		D636,960 S	4/2011	Duvigneau	
D588,365 S	3/2009	Conway et al.		D644,390 S	8/2011	Smeets et al.	
D589,734 S	4/2009	Weis et al.		D652,189 S	1/2012	Morand	
				D660,630 S *	5/2012	Soller et al.	D6/524
				D672,591 S	12/2012	Soller et al.	

* cited by examiner

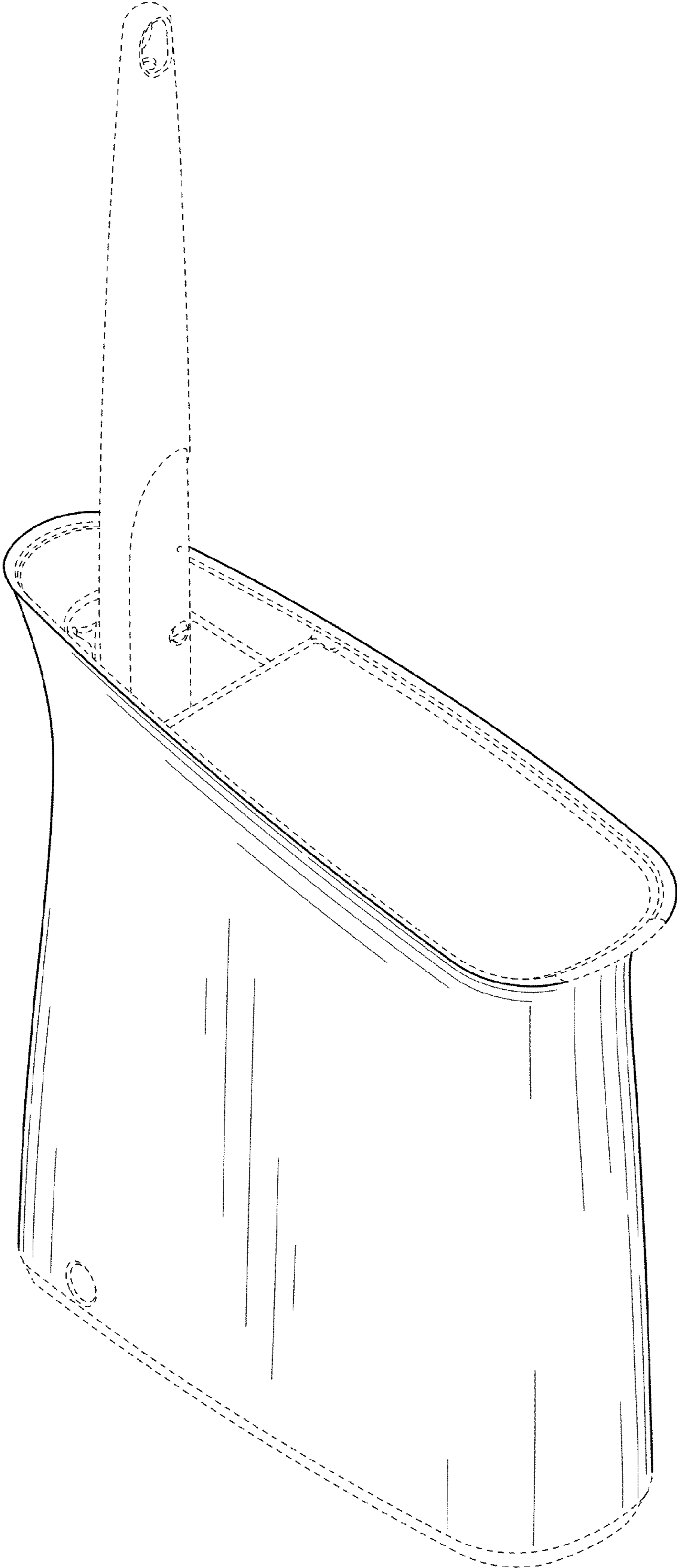


FIG. 1

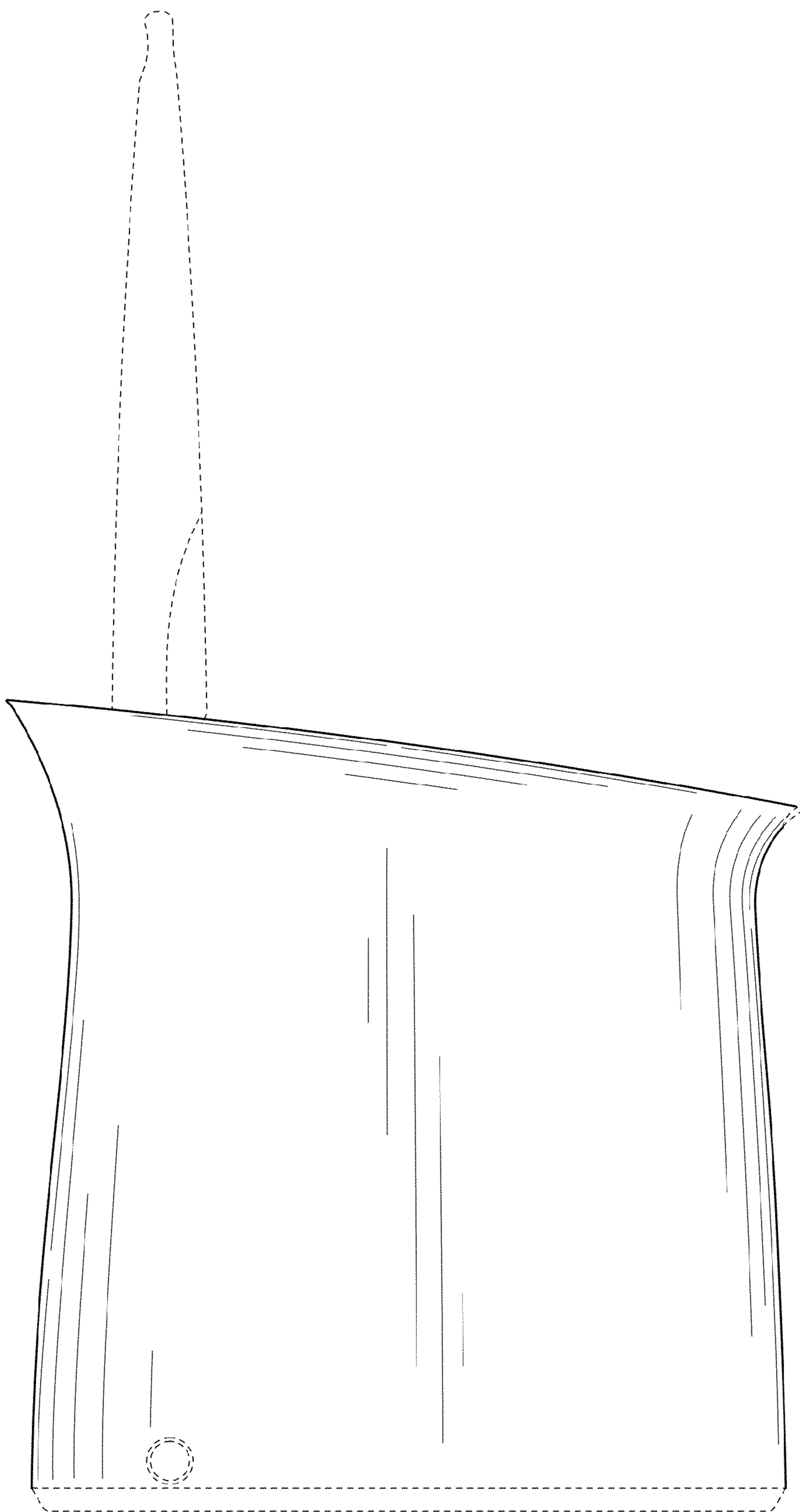


FIG. 2

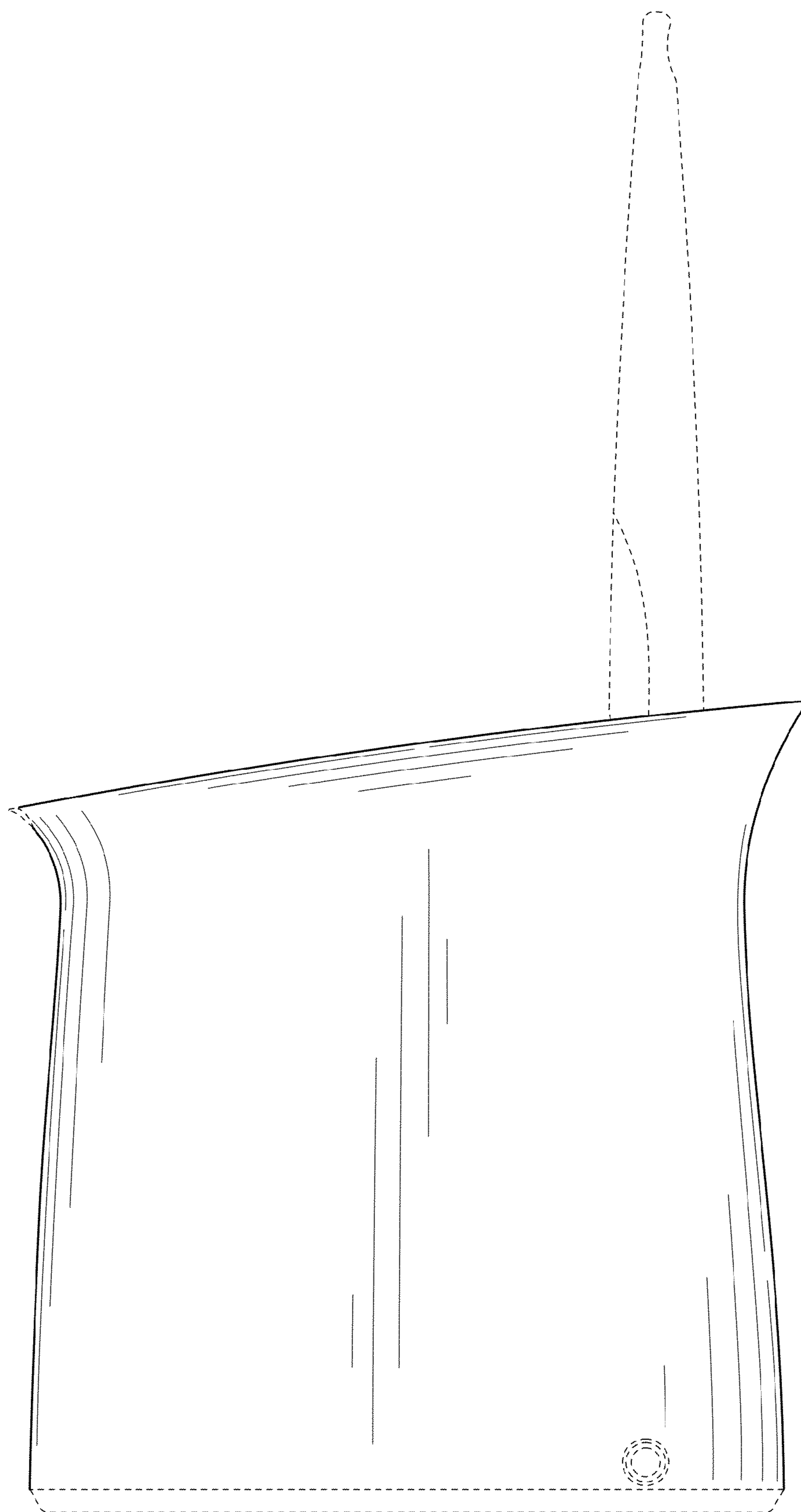


FIG. 3

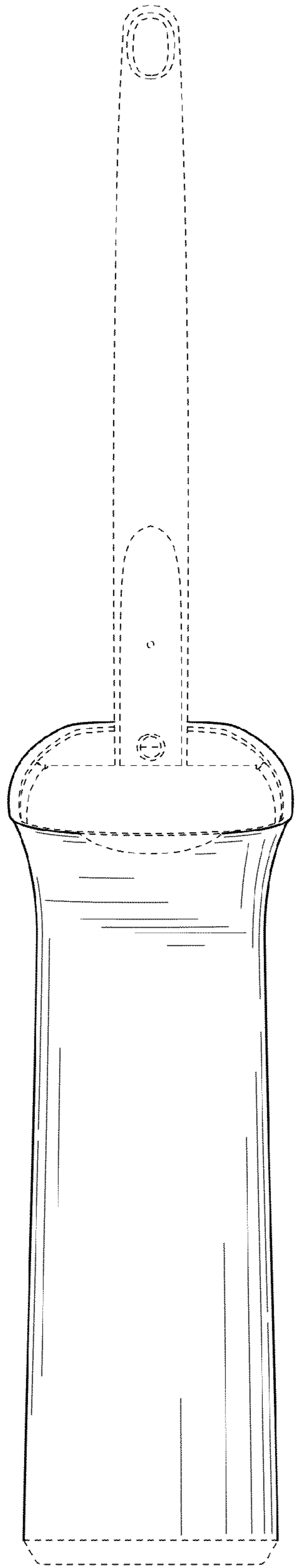


FIG. 4

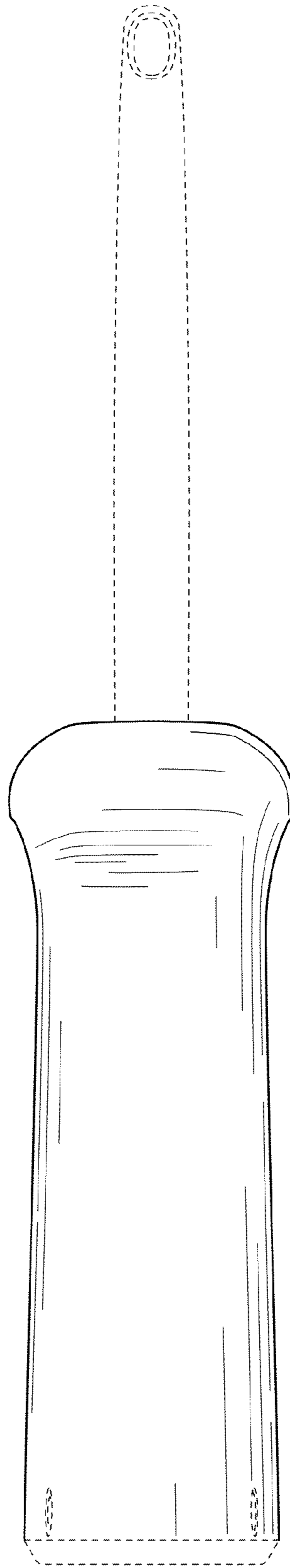


FIG. 5

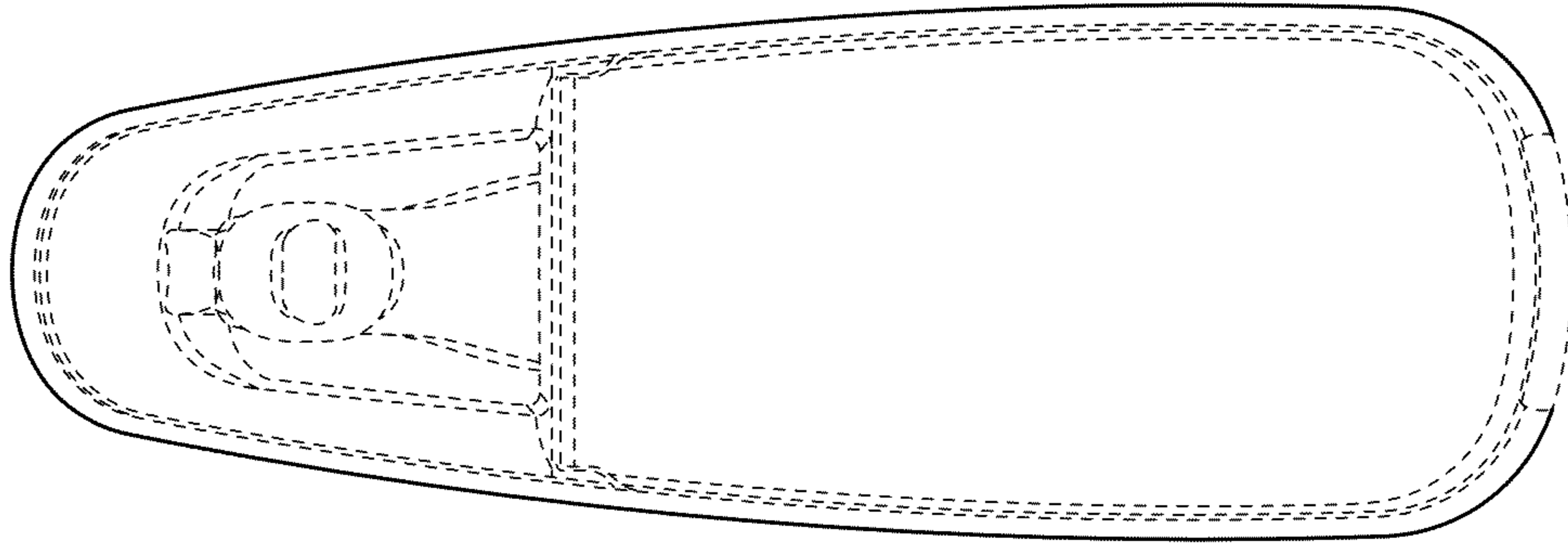


FIG. 6

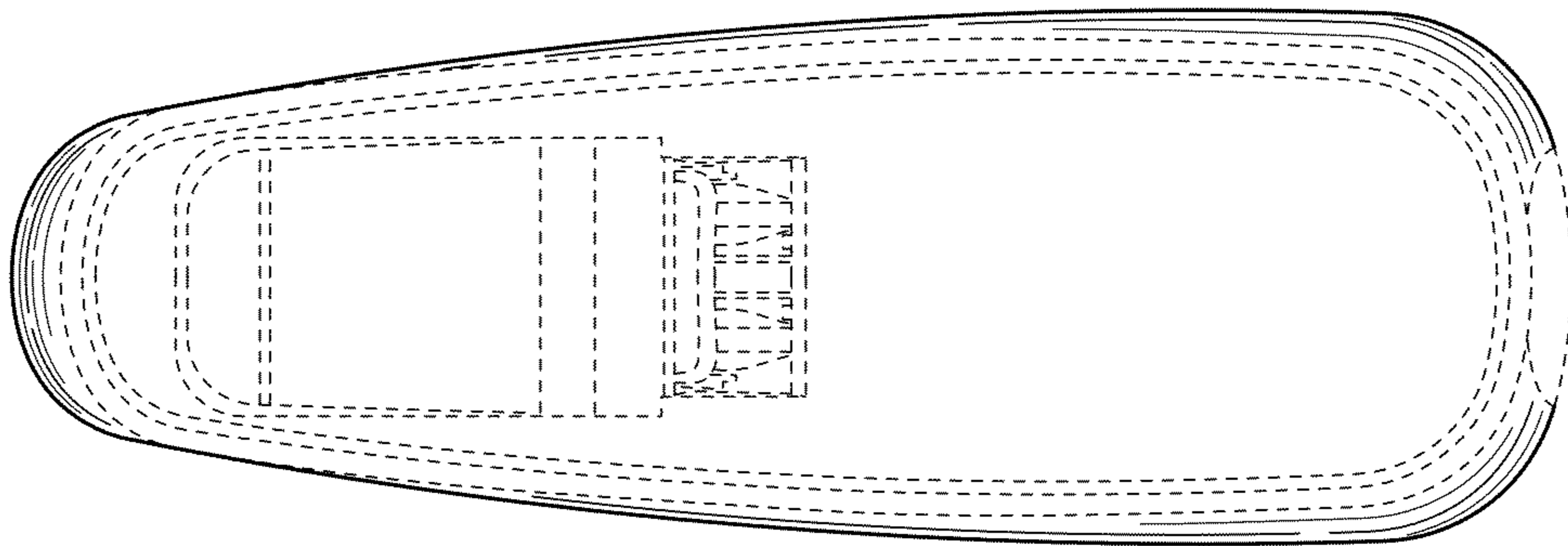


FIG. 7

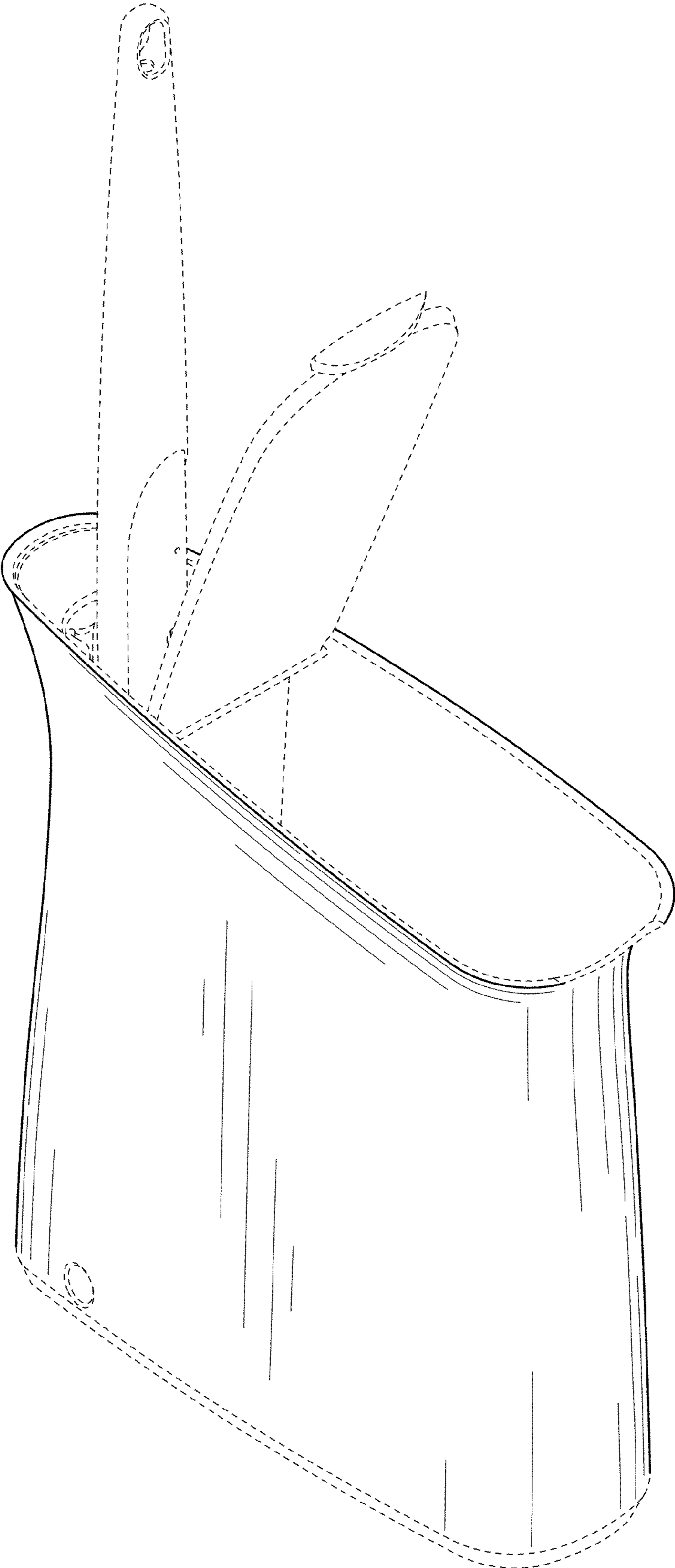


FIG. 8