



US00D702455S

(12) **United States Design Patent**
Garland et al.

(10) **Patent No.:** **US D702,455 S**
(45) **Date of Patent:** **** Apr. 15, 2014**

(54) **SOAP DISPENSER**

(71) Applicant: **Masco Corporation of Indiana,**
Indianapolis, IN (US)
(72) Inventors: **Celine Kwok Garland,** Zionsville, IN
(US); **Jordan Bahler,** Westfield, IN (US)
(73) Assignee: **Masco Corporation of Indiana,**
Indianapolis, IN (US)

(**) Term: **14 Years**

(21) Appl. No.: **29/467,325**

(22) Filed: **Sep. 18, 2013**

(51) **LOC (10) Cl.** **23-02**

(52) **U.S. Cl.**
USPC **D6/542**

(58) **Field of Classification Search**
USPC D6/542-545; D9/682, 688, 690, 291,
D9/448, 449; 221/282; 222/14, 173, 146.3,
222/628, 251, 181.1, 181.3

See application file for complete search history.

(56) **References Cited**

U.S. PATENT DOCUMENTS

D559,601 S *	1/2008	Williams	D6/542
D607,679 S *	1/2010	Chen et al.	D6/542
D660,631 S *	5/2012	Romero	D6/542
D661,530 S *	6/2012	Pendleton	D6/542
D672,177 S *	12/2012	Zeng	D6/542

* cited by examiner

Primary Examiner — Brian N Vinson

(74) *Attorney, Agent, or Firm* — Edgar A. Zarins; Nirav D. Parikh

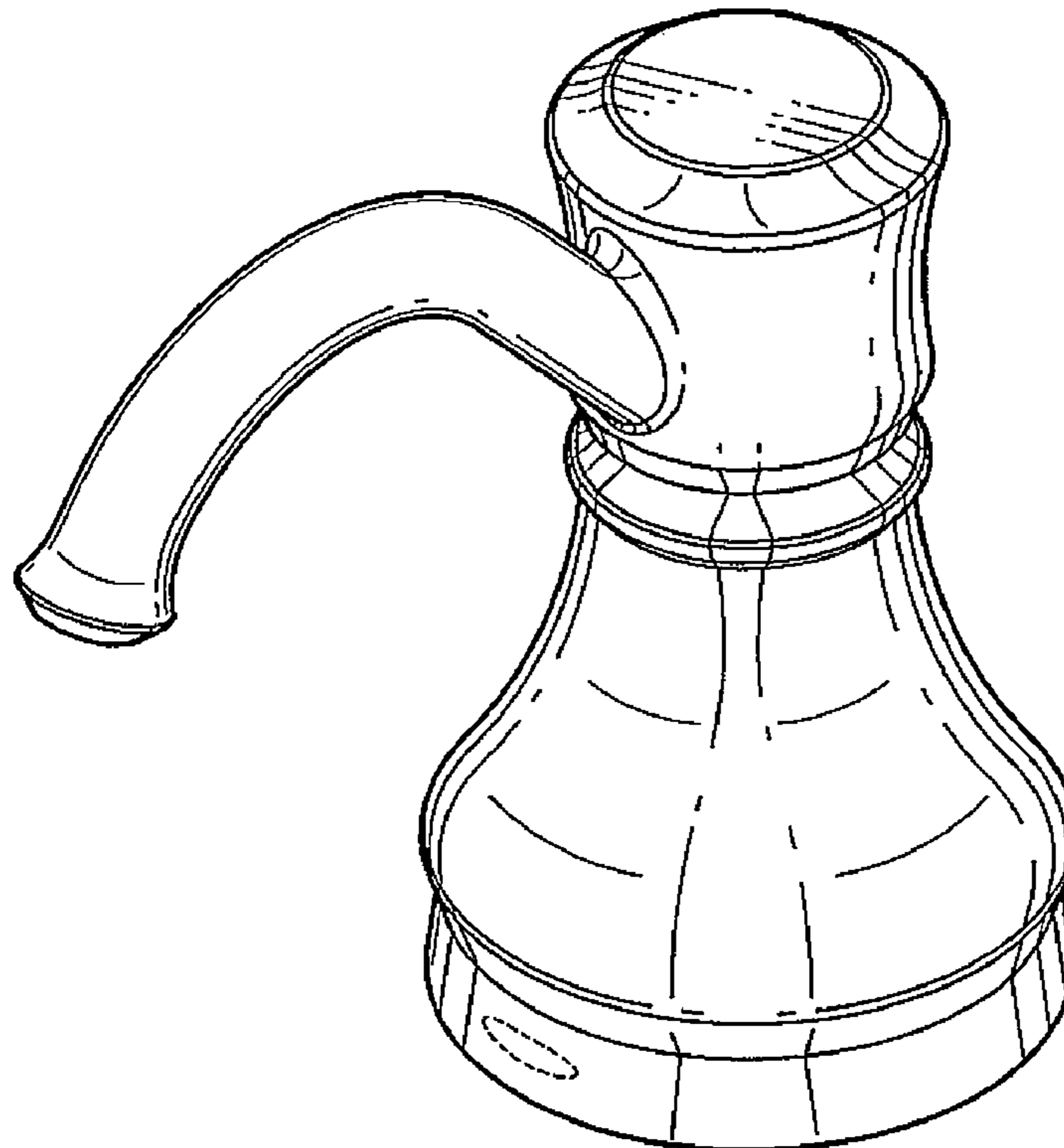
(57) **CLAIM**

The ornamental design for a soap dispenser, as shown and described.

DESCRIPTION

FIG. 1 is a perspective view of a soap dispenser showing our new design;
FIG. 2 is a top plan view thereof;
FIG. 3 is a bottom view thereof;
FIG. 4 is a first side view thereof; the opposite side being a mirror image of the side shown;
FIG. 5 is a front elevational view thereof; and,
FIG. 6 is a rear view thereof.

1 Claim, 2 Drawing Sheets



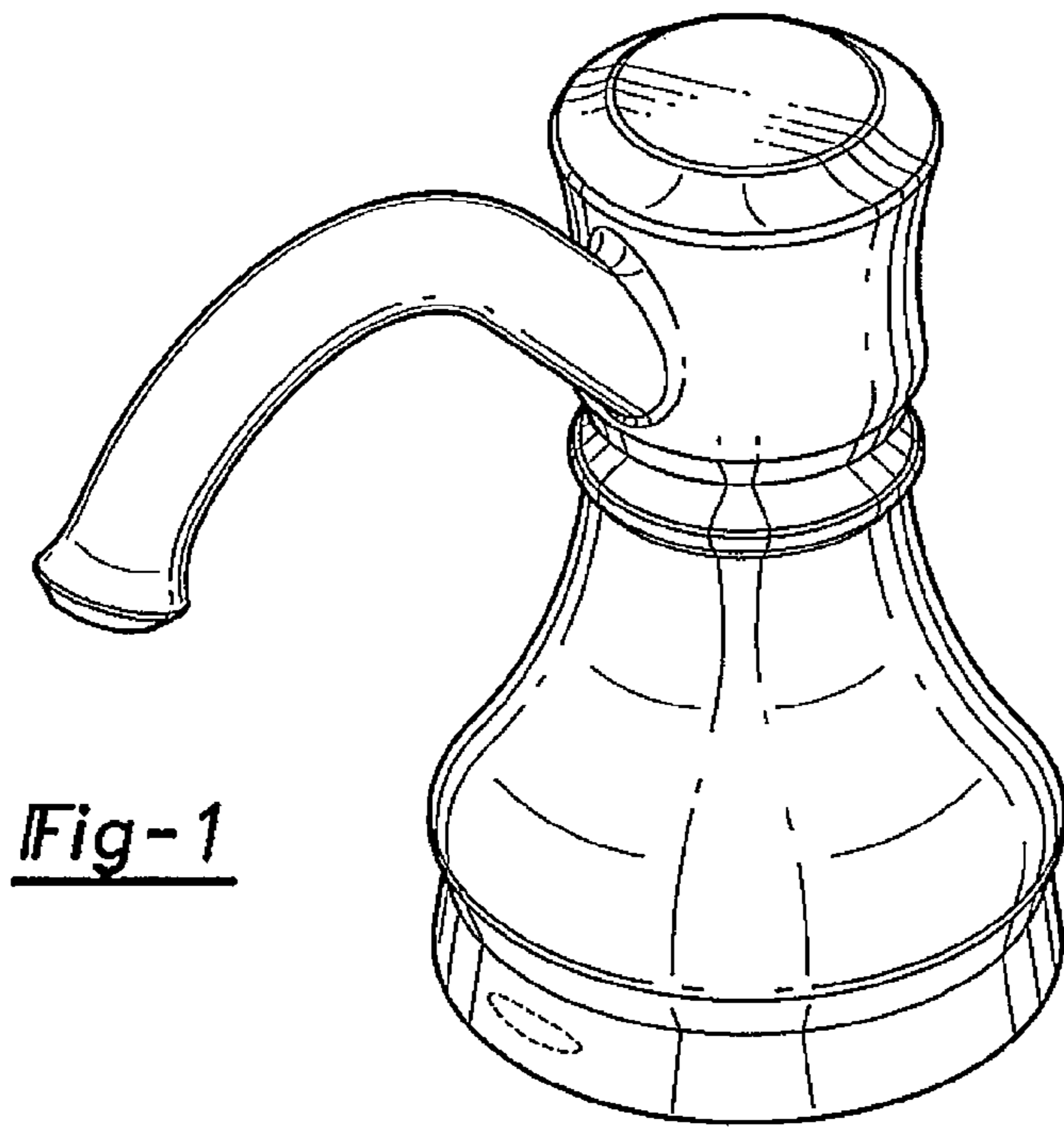


Fig-1

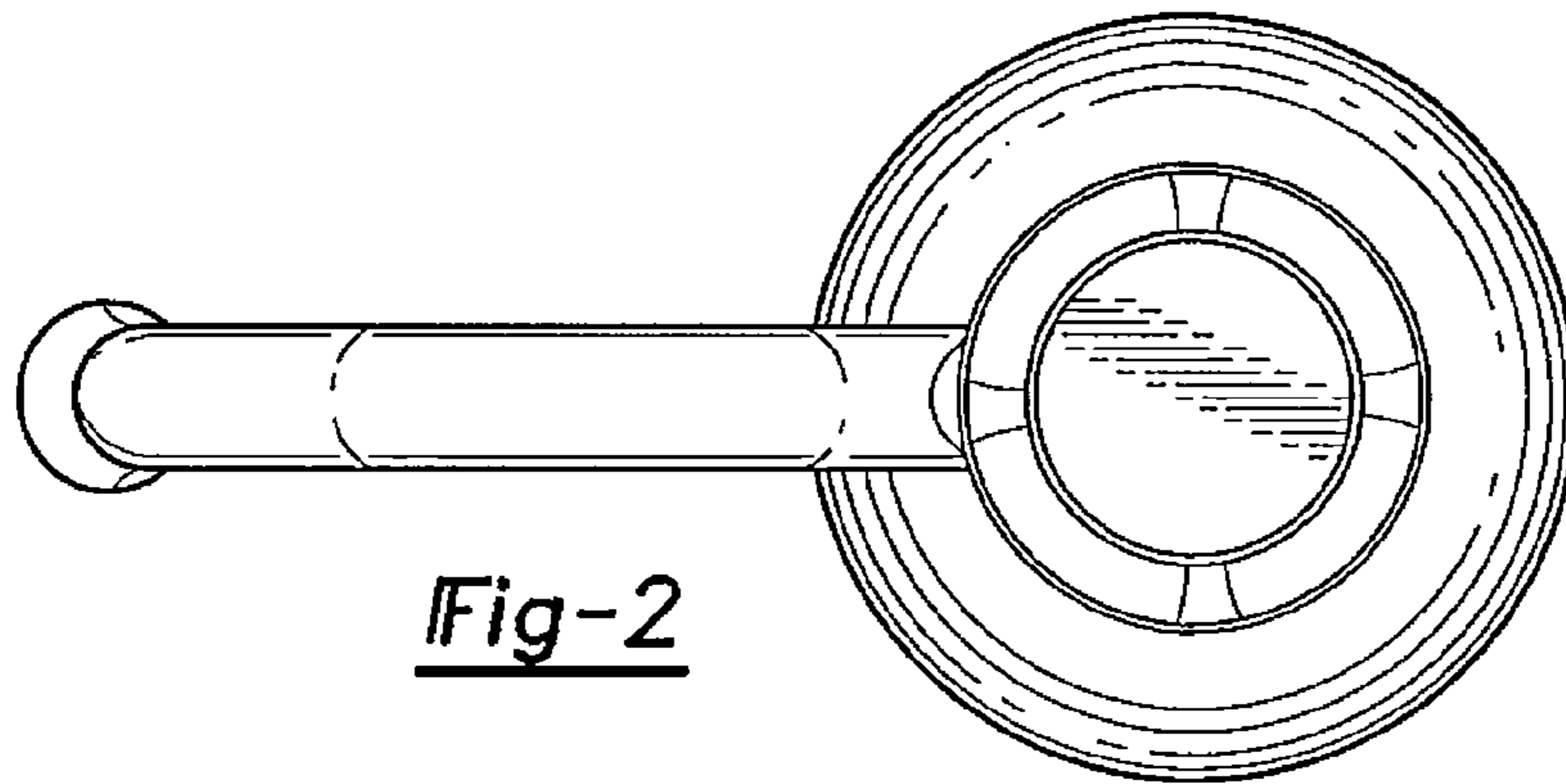


Fig-2

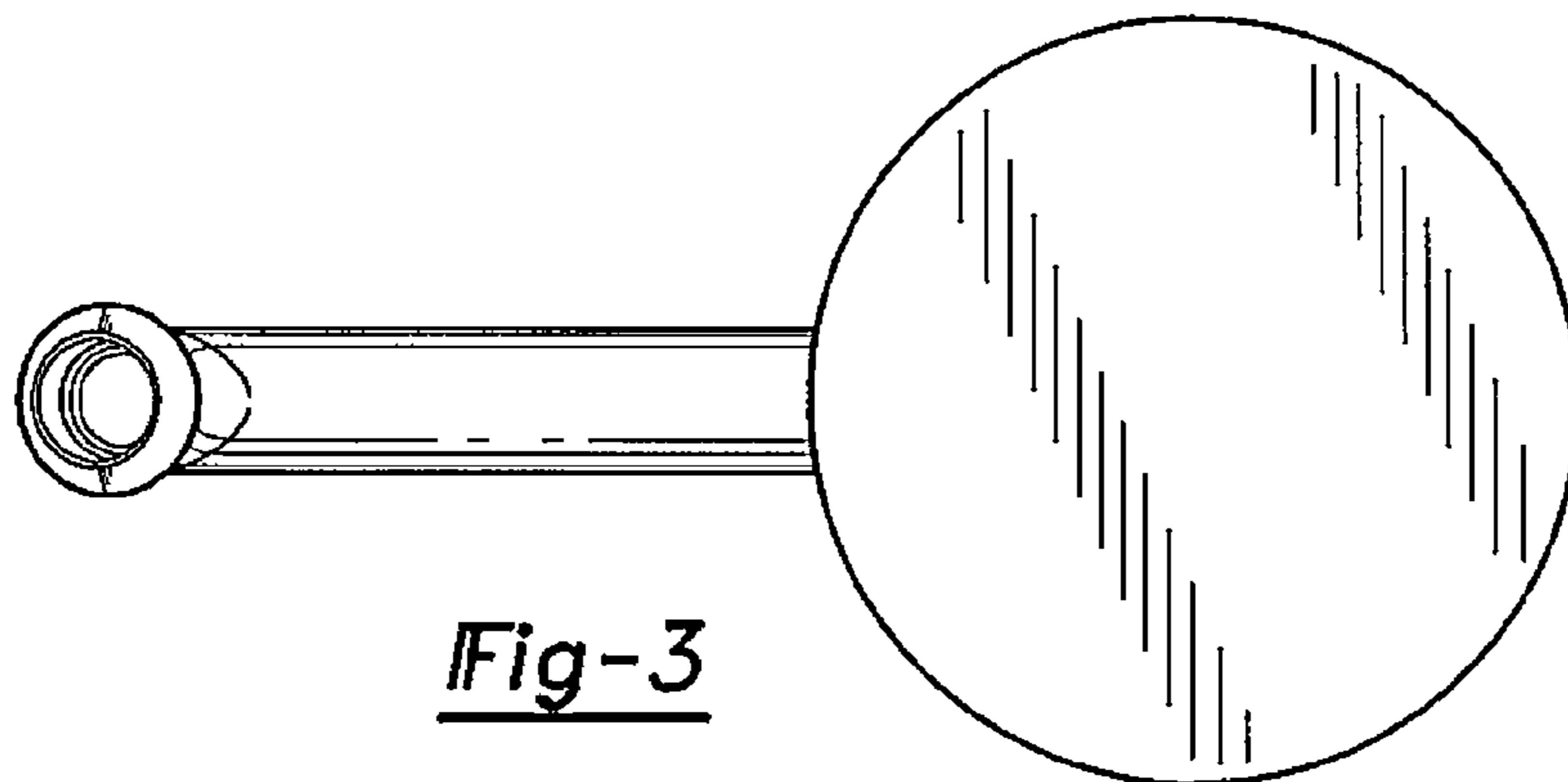


Fig-3

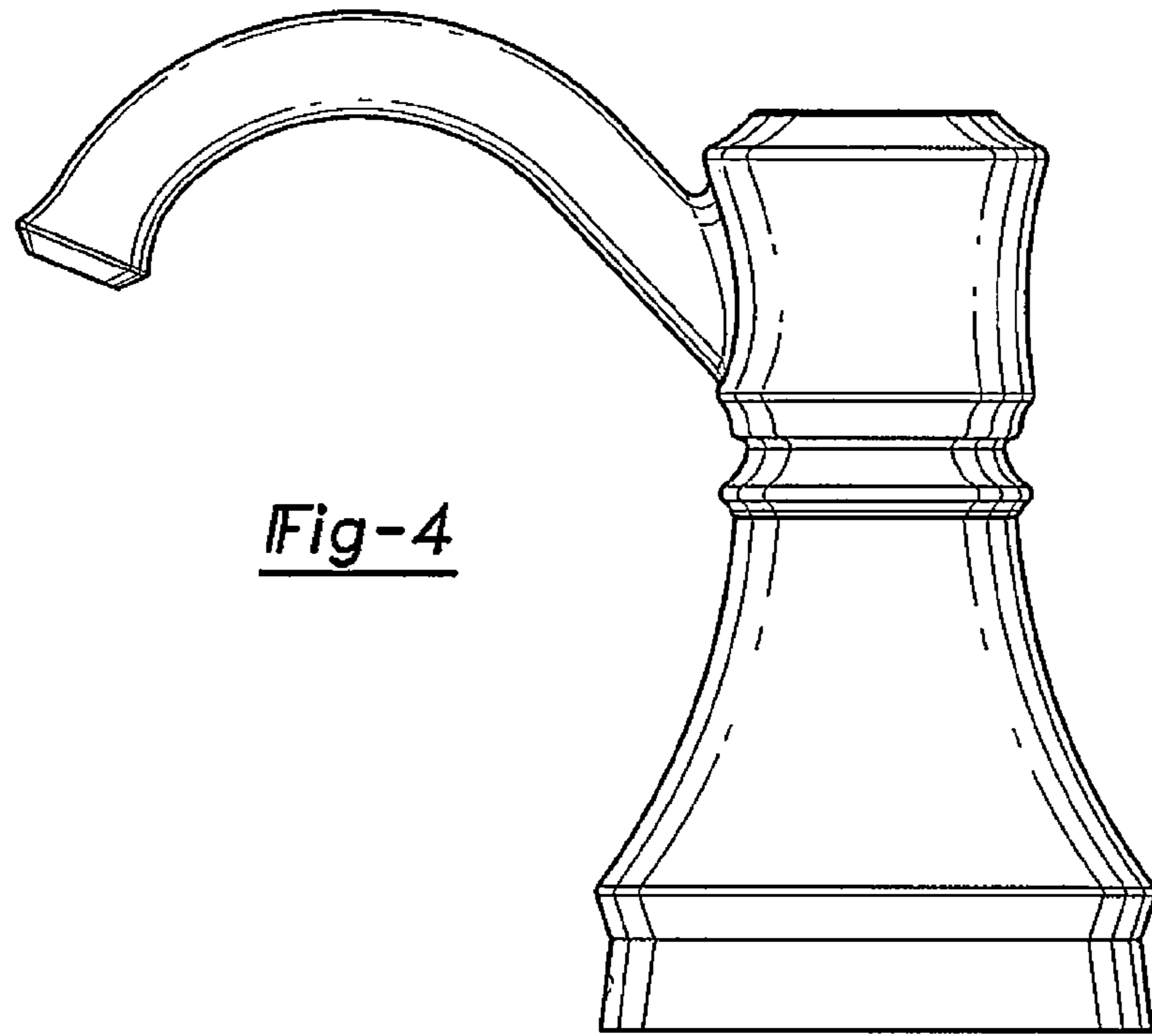


Fig-4

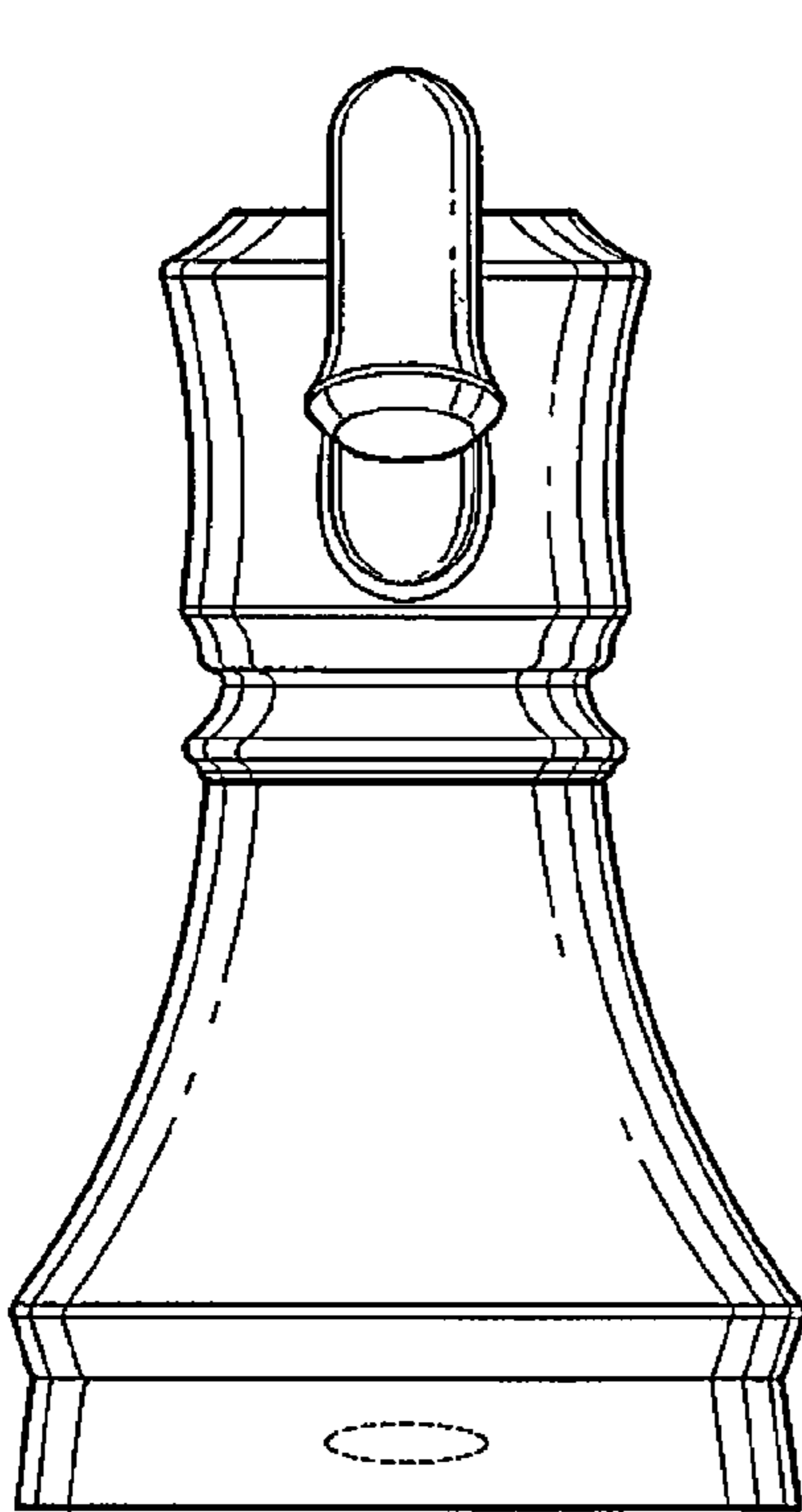


Fig-5

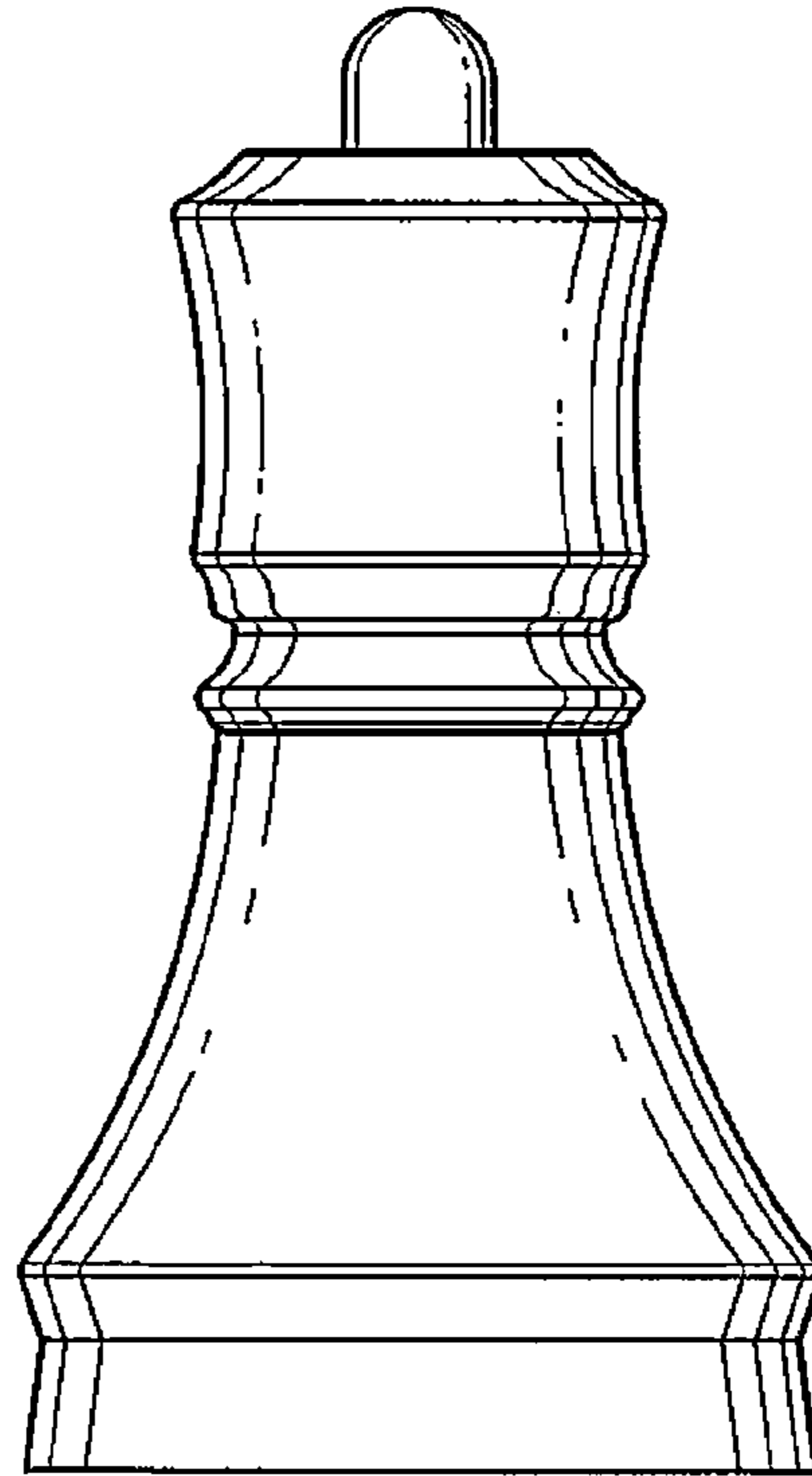


Fig-6