



US00D702452S

(12) **United States Design Patent**
Beucler et al.

(10) **Patent No.:** **US D702,452 S**
(45) **Date of Patent:** **** Apr. 15, 2014**

- (54) **SOFA**
- (71) Applicant: **Knoll, Inc.**, East Greenville, PA (US)
- (72) Inventors: **Pierre Beucler**, Paris (FR);
Jean-Christophe Poggioli, Paris (FR)
- (73) Assignee: **Knoll, Inc.**, East Greenville, PA (US)
- (**) Term: **14 Years**
- (21) Appl. No.: **29/464,660**
- (22) Filed: **Sep. 3, 2013**

Related U.S. Application Data

- (62) Division of application No. 29/445,119, filed on Feb. 7, 2013, now Pat. No. Des. 690,954.
- (51) **LOC (10) Cl.** **06-01**
- (52) **U.S. Cl.**
USPC **D6/381**
- (58) **Field of Classification Search**
USPC D6/334–338, 349, 355, 361, 368–370,
D6/376, 379–381, 492, 500–502, 716,
D6/716.1; 297/16.1, 42, 94, 135, 175, 232,
297/233, 350, 351, 445.1, 448.1, 448.2,
297/451.9; 5/12.1, 12.2
See application file for complete search history.

(56) **References Cited**

U.S. PATENT DOCUMENTS

D187,917 S	5/1960	Spound
D222,451 S	10/1971	Lamb
D252,060 S	6/1979	Prevost
D253,439 S	11/1979	Prevost
D261,702 S	11/1981	Whalen
D278,581 S	4/1985	Melchior
D288,505 S	3/1987	Yamasaki
D306,662 S	3/1990	Gera

D318,183 S	7/1991	Fister, Jr.
D318,576 S	7/1991	Fister, Jr.
D336,376 S	6/1993	Hollington
D340,142 S	10/1993	Totoro
D341,728 S	11/1993	Grosfillex
D360,309 S	7/1995	Lowman
D365,212 S	12/1995	Lowman
D368,378 S	4/1996	Laslo
D376,483 S	12/1996	Yamasaki
D381,527 S	7/1997	Williams
D383,318 S	9/1997	Chandler
D392,469 S	3/1998	De Blaay
D400,719 S	11/1998	Gera
D411,385 S	6/1999	Christa et al.
D417,558 S	12/1999	Staubach et al.
D430,740 S	9/2000	Chun
D439,420 S *	3/2001	Natuzzi et al. D6/334
D441,979 S	5/2001	Watson
D443,991 S	6/2001	Picotti
D458,466 S	6/2002	McCairley
D475,539 S	6/2003	Savini
D492,499 S	7/2004	Relling et al.
D498,070 S	11/2004	Sauer
D499,270 S	12/2004	Relling et al.
D504,782 S	5/2005	Moser

(Continued)

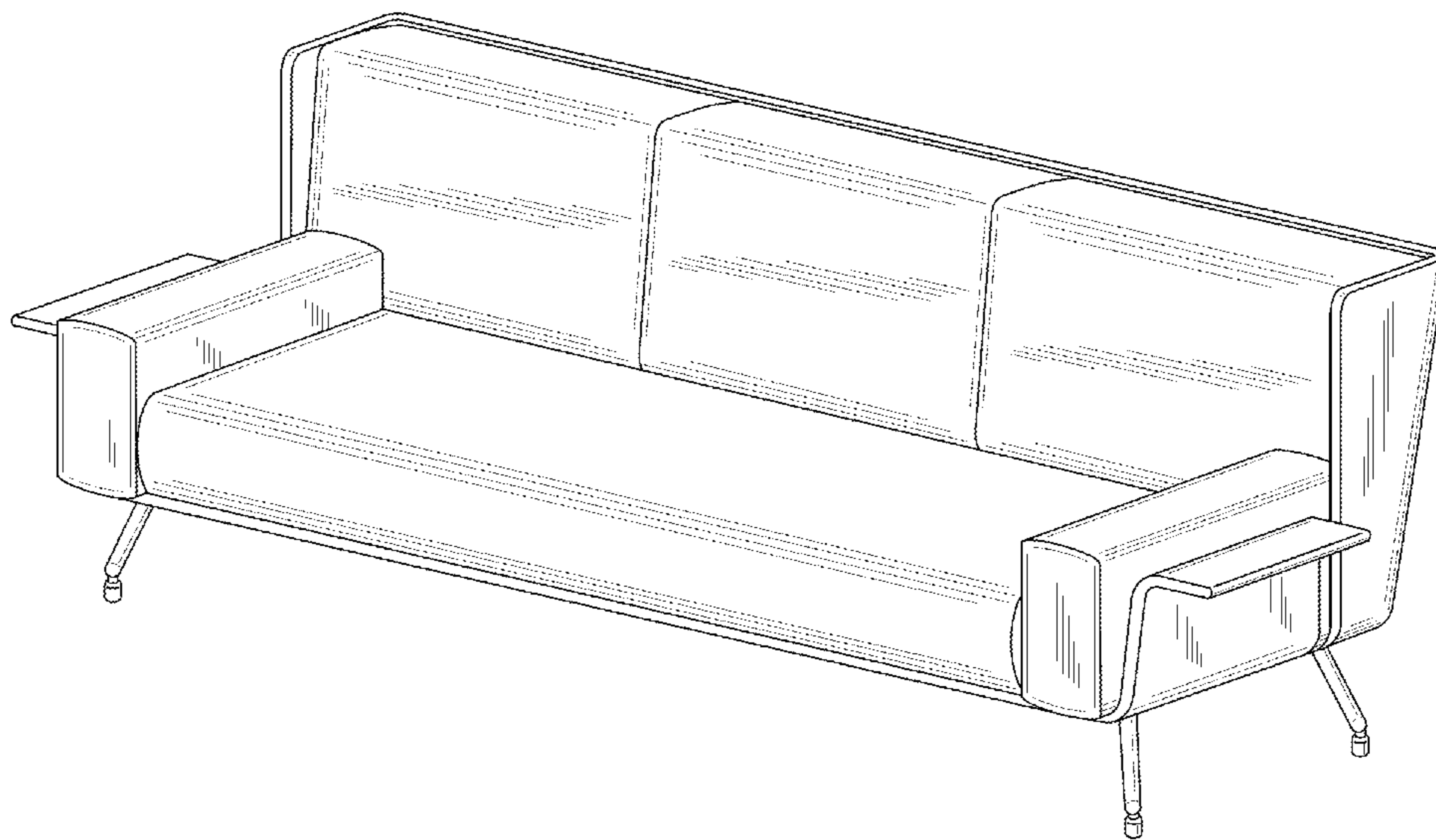
Primary Examiner — Sandra Snapp
(74) *Attorney, Agent, or Firm* — Buchanan Ingersoll & Rooney PC

(57) **CLAIM**
The ornamental design for a sofa, as shown and described.

DESCRIPTION

FIG. 1 is a perspective view of a sofa showing our new design; FIG. 2 is a front elevational view thereof; FIG. 3 is a rear elevational view thereof; FIG. 4 is a top plan view thereof; FIG. 5 is a right side elevational view thereof; and, FIG. 6 is a left side elevational view thereof.

1 Claim, 6 Drawing Sheets



(56)

References Cited

U.S. PATENT DOCUMENTS

D505,561 S 5/2005 Ricci
D506,092 S 6/2005 Moser
D535,124 S 1/2007 Garcia
D543,716 S 6/2007 Votteler et al.
D551,875 S 10/2007 Ricci
D554,917 S 11/2007 Hutton
D558,468 S 1/2008 Lade
D558,469 S 1/2008 Lade
D577,498 S 9/2008 Schmitt
D606,325 S 12/2009 Gharabegian

D616,215 S 5/2010 Andersen
D616,656 S 6/2010 Denton
D616,657 S 6/2010 Denton
D626,756 S 11/2010 Flender et al.
D630,450 S 1/2011 Wold
D633,312 S 3/2011 Wold
D633,725 S 3/2011 Massaud
D633,726 S 3/2011 Wold
D633,727 S 3/2011 Wold
7,997,654 B2 * 8/2011 Ferry et al. 297/342
8,313,059 B2 * 11/2012 Ferry et al. 244/118.6
D687,241 S * 8/2013 Beucler et al. D6/381
D690,954 S * 10/2013 Beucler et al. D6/381

* cited by examiner

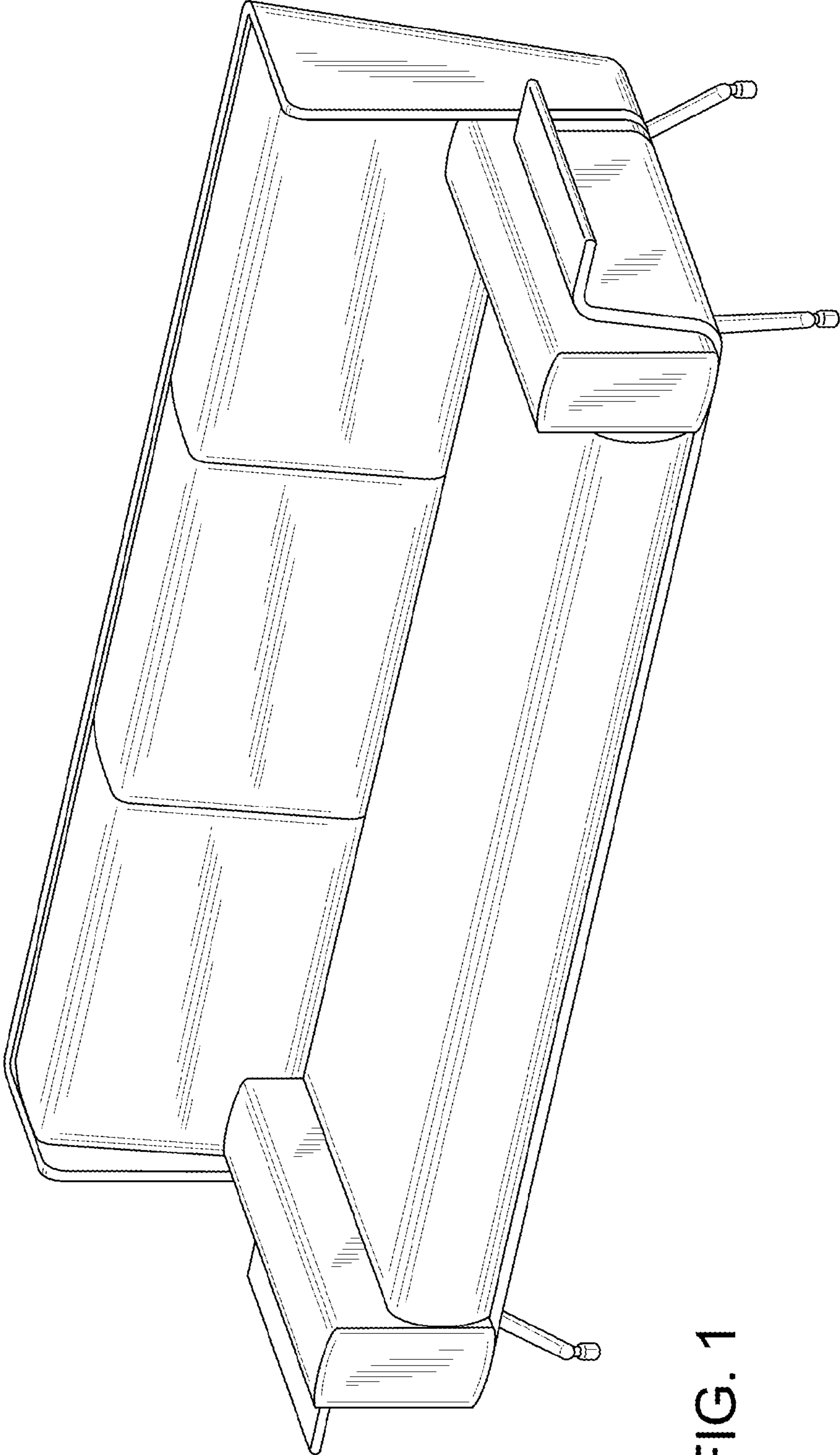


FIG. 1

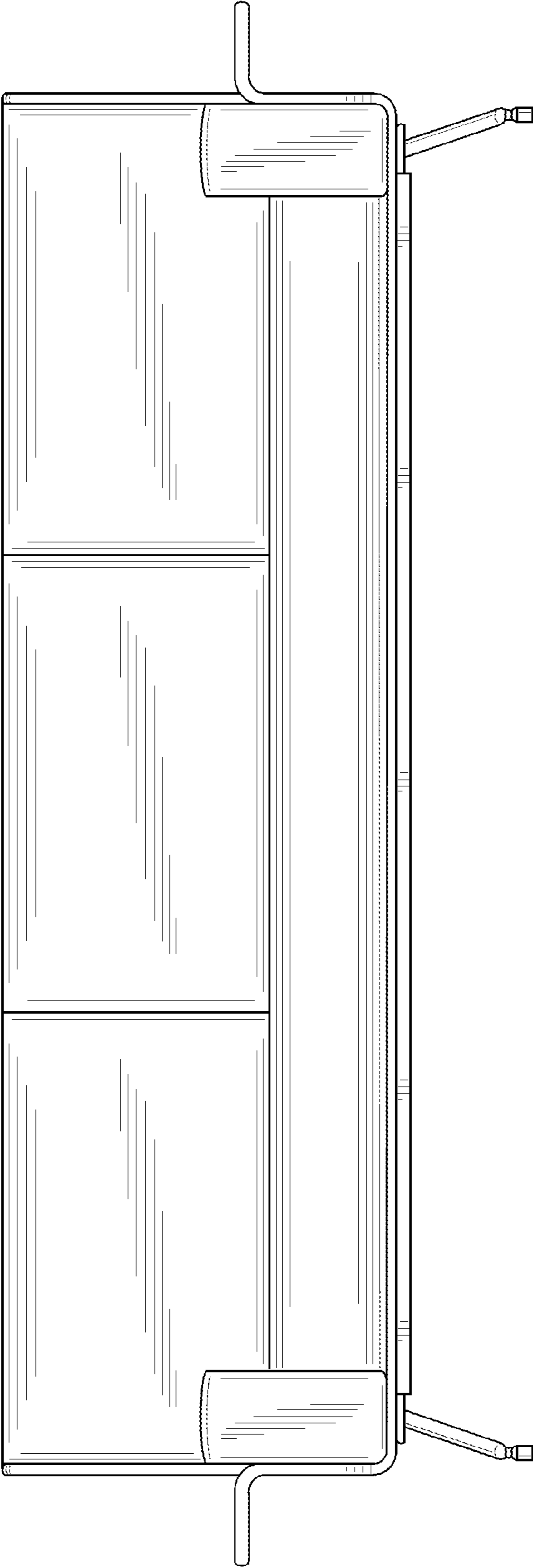


FIG. 2

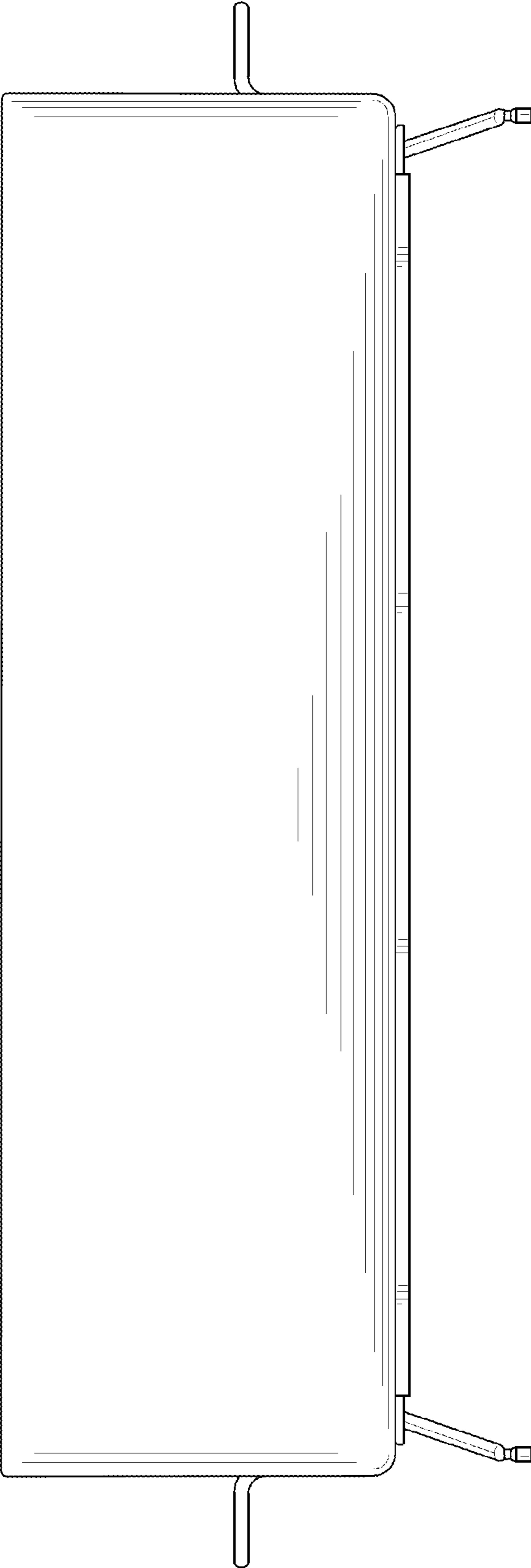


FIG. 3

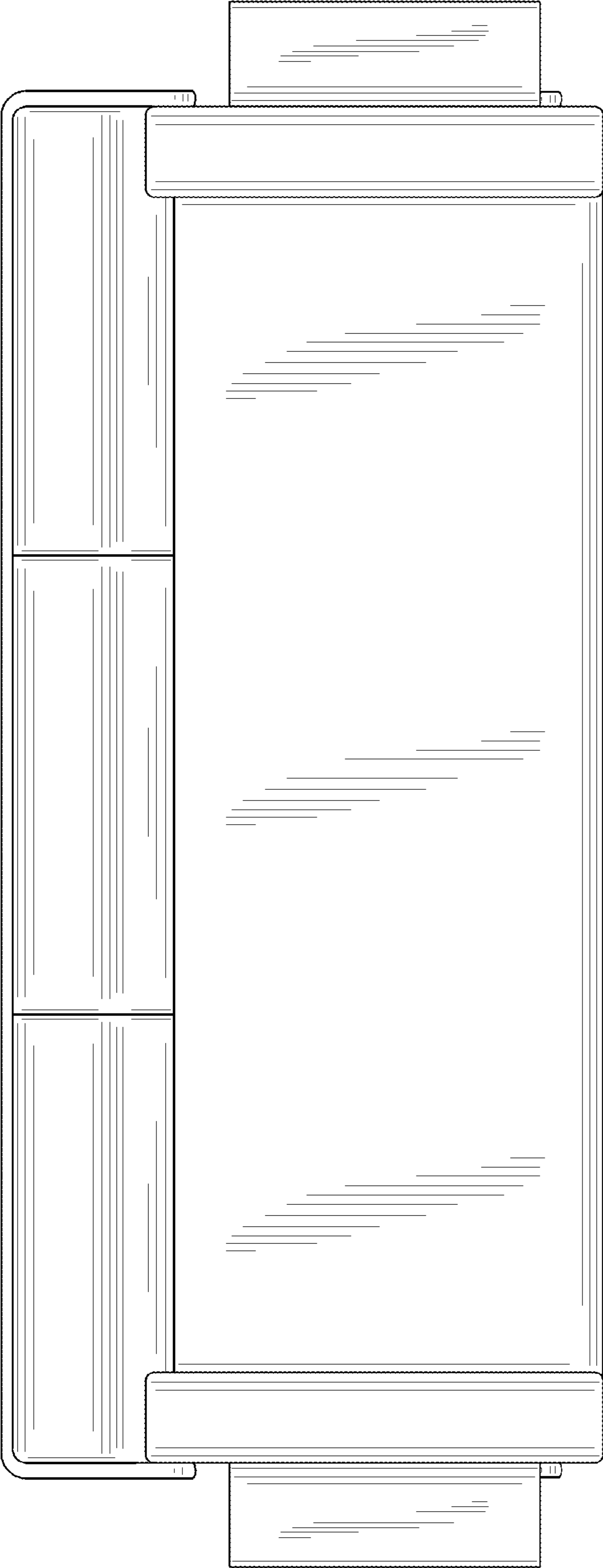


FIG. 4

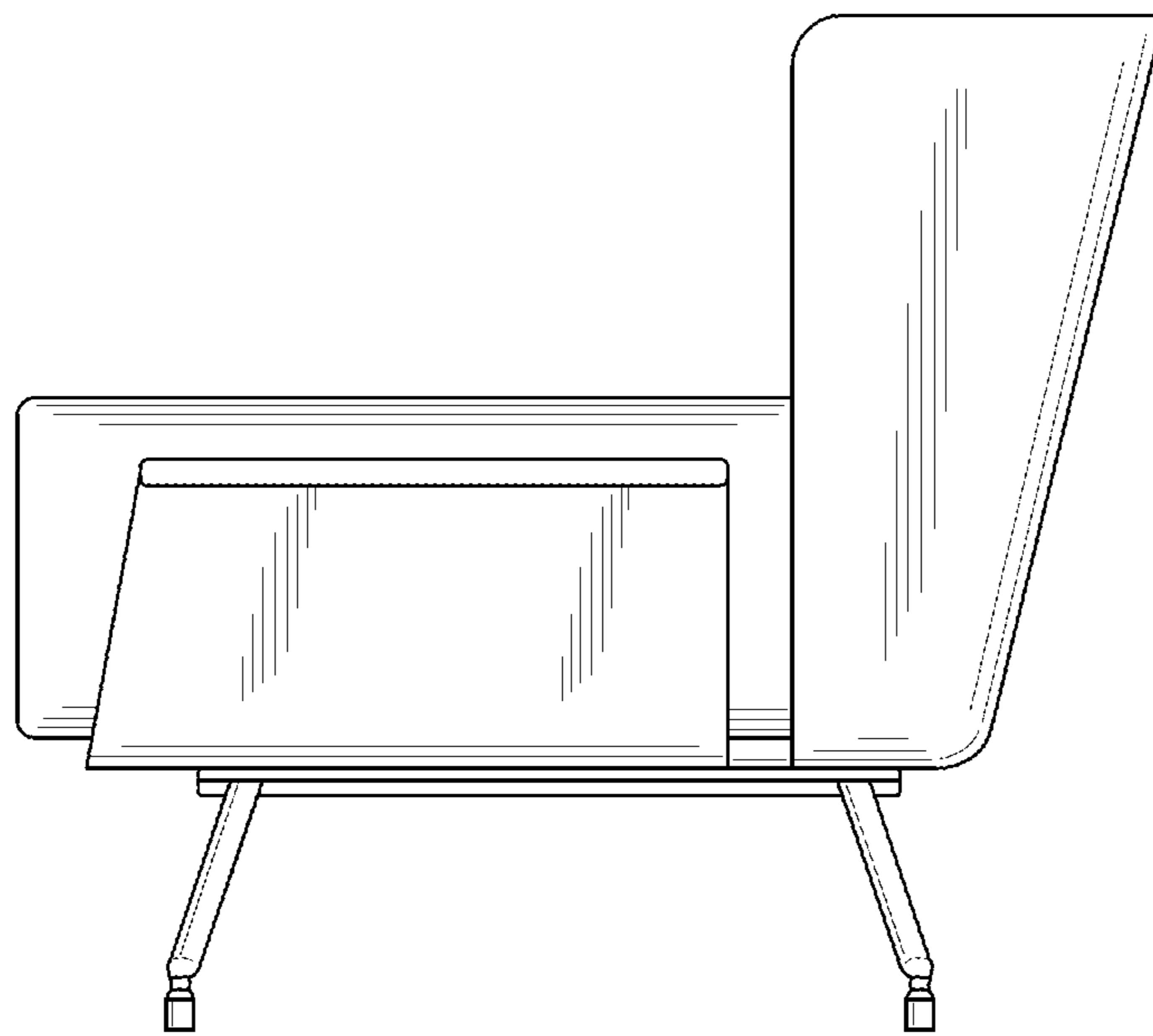


FIG. 5

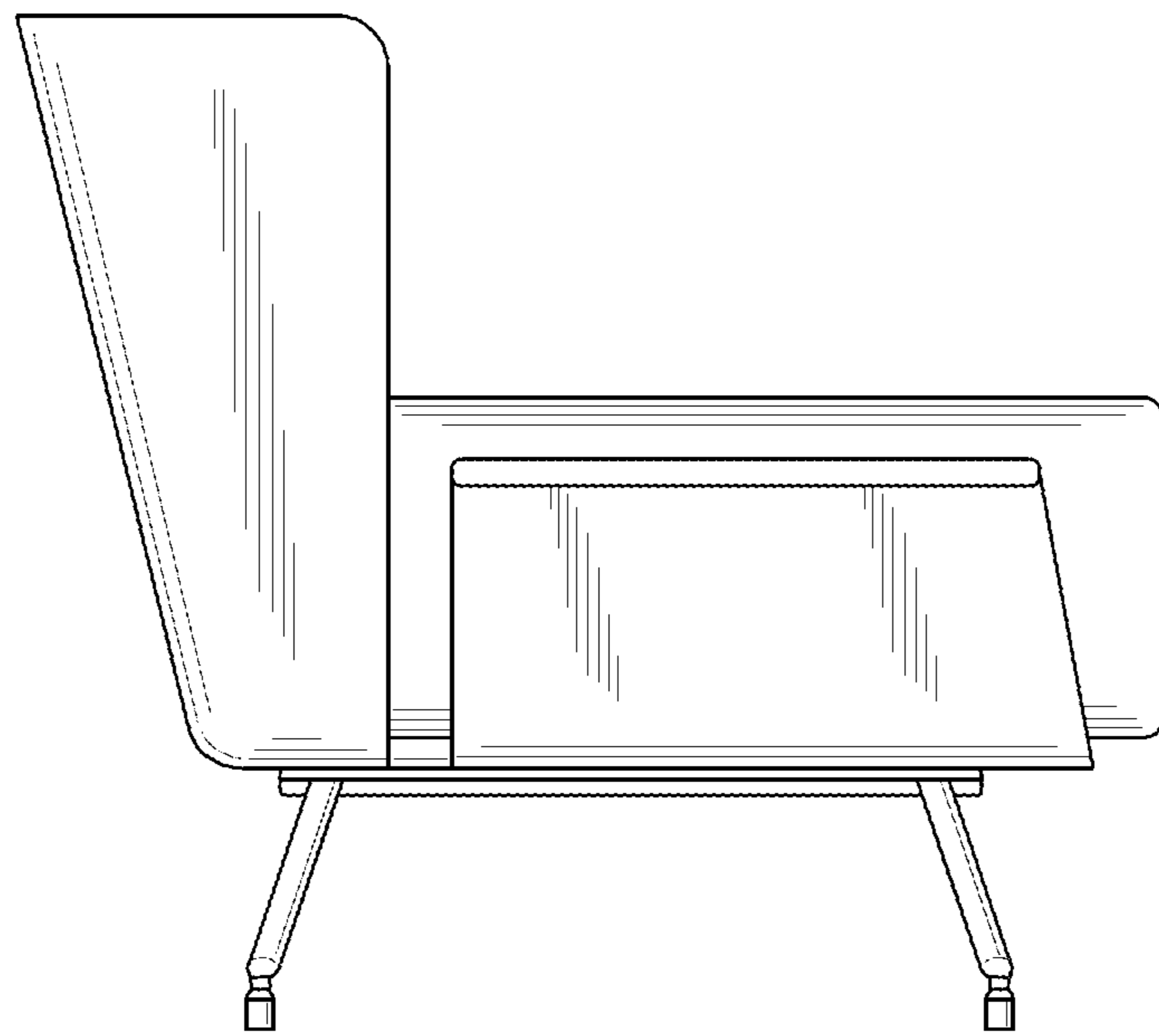


FIG. 6