



US00D702442S

(12) **United States Design Patent**  
**Liang**

(10) **Patent No.:** **US D702,442 S**  
(45) **Date of Patent:** **\*\* Apr. 15, 2014**

(54) **HANDLE SET FOR A WHEELED LUGGAGE**

(71) Applicant: **Joseph Liang**, Ping-Tung Hsien (TW)

(72) Inventor: **Joseph Liang**, Ping-Tung Hsien (TW)

(\*\*) Term: **14 Years**

(21) Appl. No.: **29/439,190**

(22) Filed: **Dec. 7, 2012**

(51) **LOC (10) Cl.** ..... **03-01**

(52) **U.S. Cl.**  
USPC ..... **D3/318**

(58) **Field of Classification Search**  
USPC ..... D3/318, 272; 190/18 A, 108  
See application file for complete search history.

(56) **References Cited**

**U.S. PATENT DOCUMENTS**

6,062,357 A \* 5/2000 Bogert ..... 190/18 A  
6,186,295 B1 \* 2/2001 Lin et al. .... 190/18 A

\* cited by examiner

*Primary Examiner* — Holly Baynham

(74) *Attorney, Agent, or Firm* — Whyte Hirschboeck Dudek S.C.

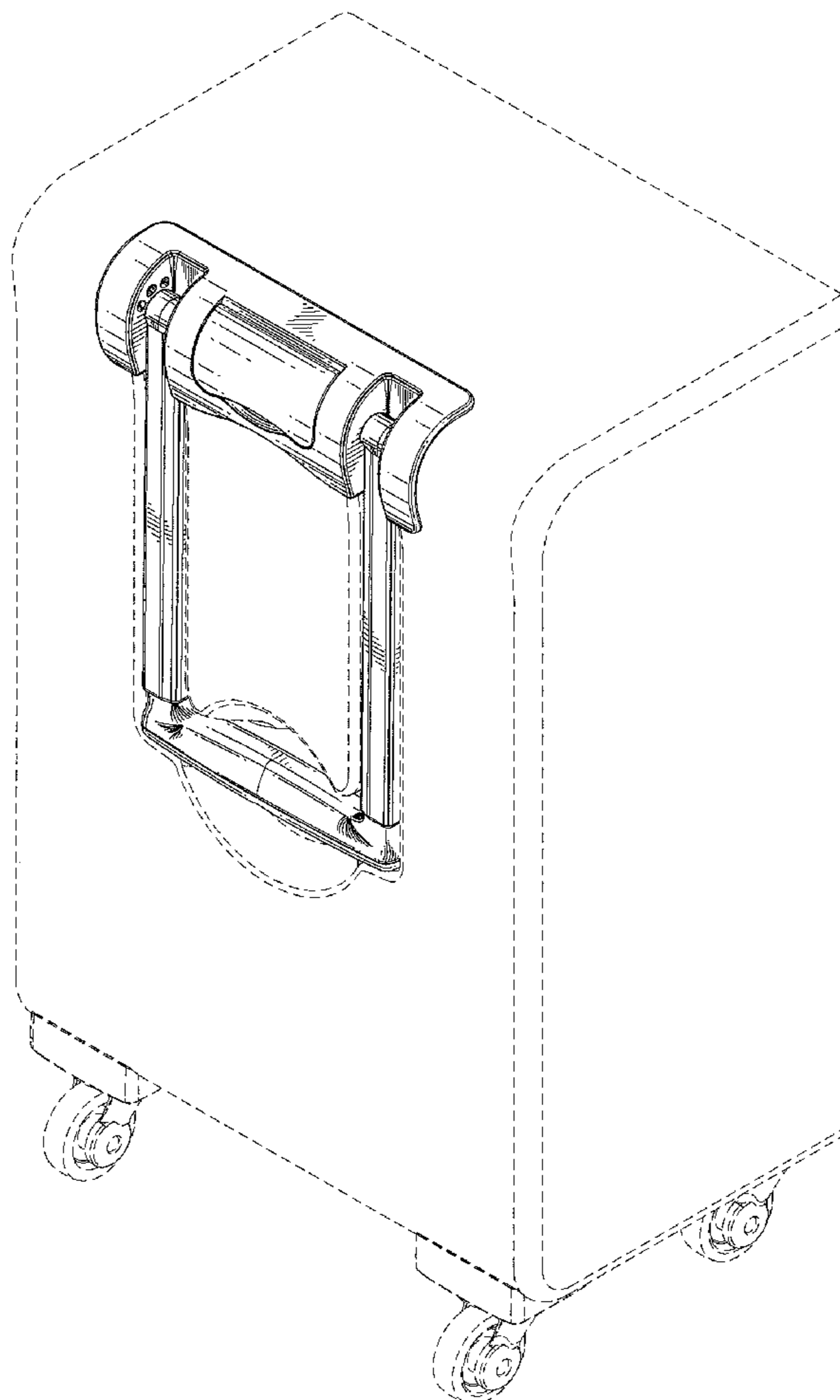
(57) **CLAIM**

The ornamental design for handle set for a wheeled luggage, as shown and described.

**DESCRIPTION**

FIG. 1 is a perspective view of handle set for a wheeled luggage showing my new design;  
FIG. 2 is a front elevational view thereof;  
FIG. 3 is a left side elevational view thereof;  
FIG. 4 is a right side elevational view thereof;  
FIG. 5 is a top plan view thereof; and  
FIG. 6 is a top, side perspective view thereof shown in an alternate position; and,  
FIG. 7 is another top, side perspective view shown in a second alternate position thereof.  
The broken lines showing luggage and luggage wheels are for the purpose of illustrating environment and form no part of the claimed design.

**1 Claim, 7 Drawing Sheets**



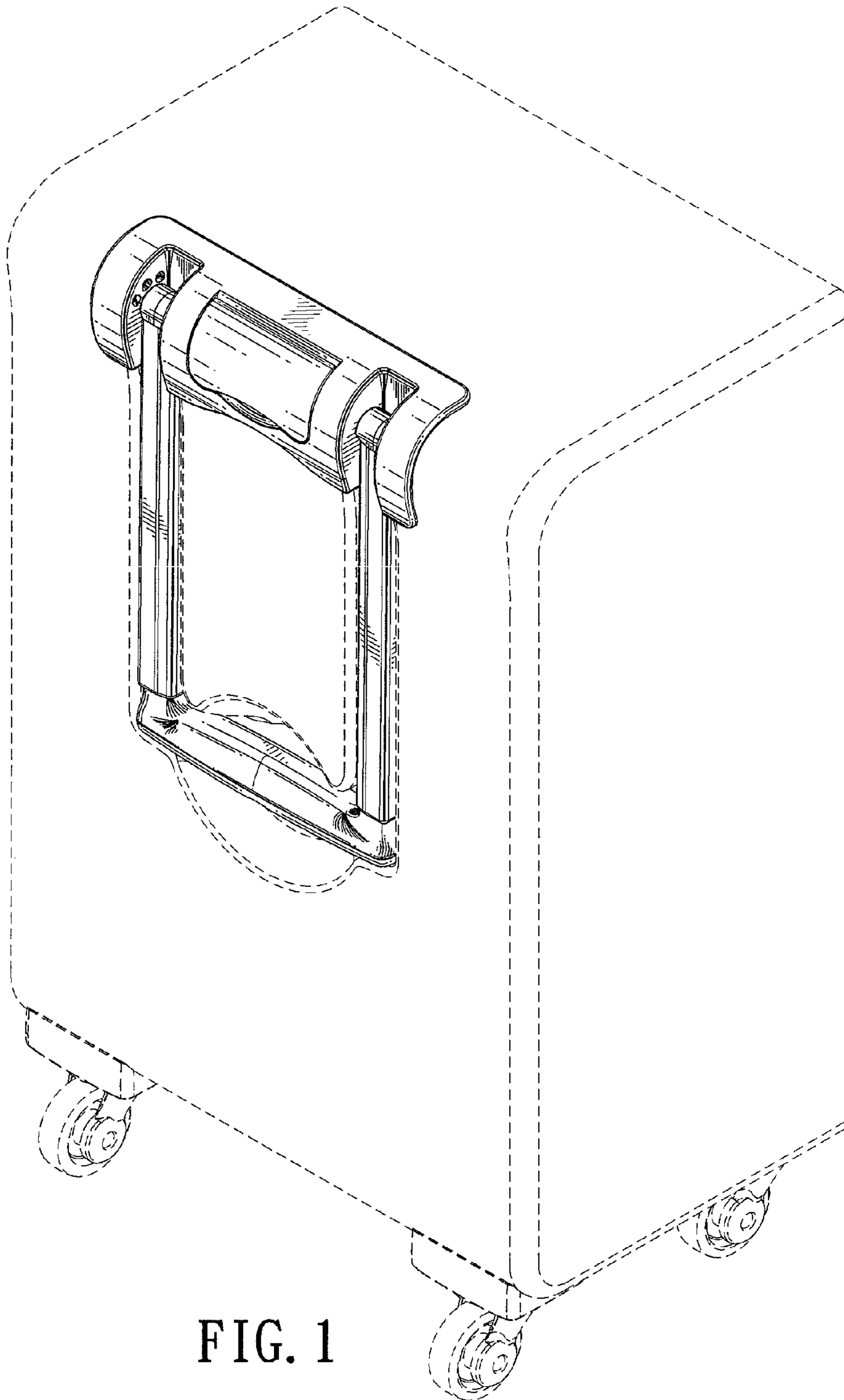


FIG. 1

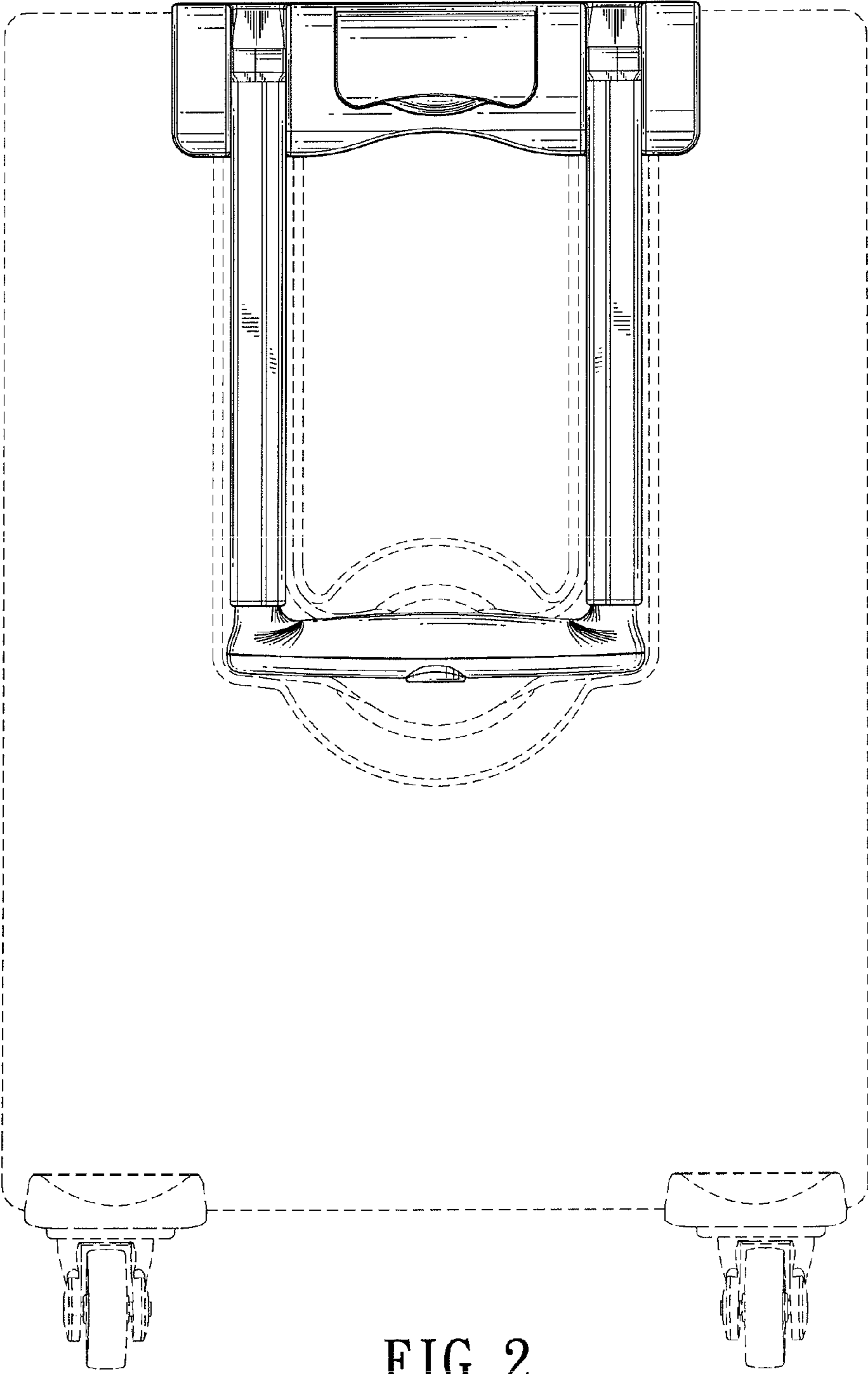


FIG. 2

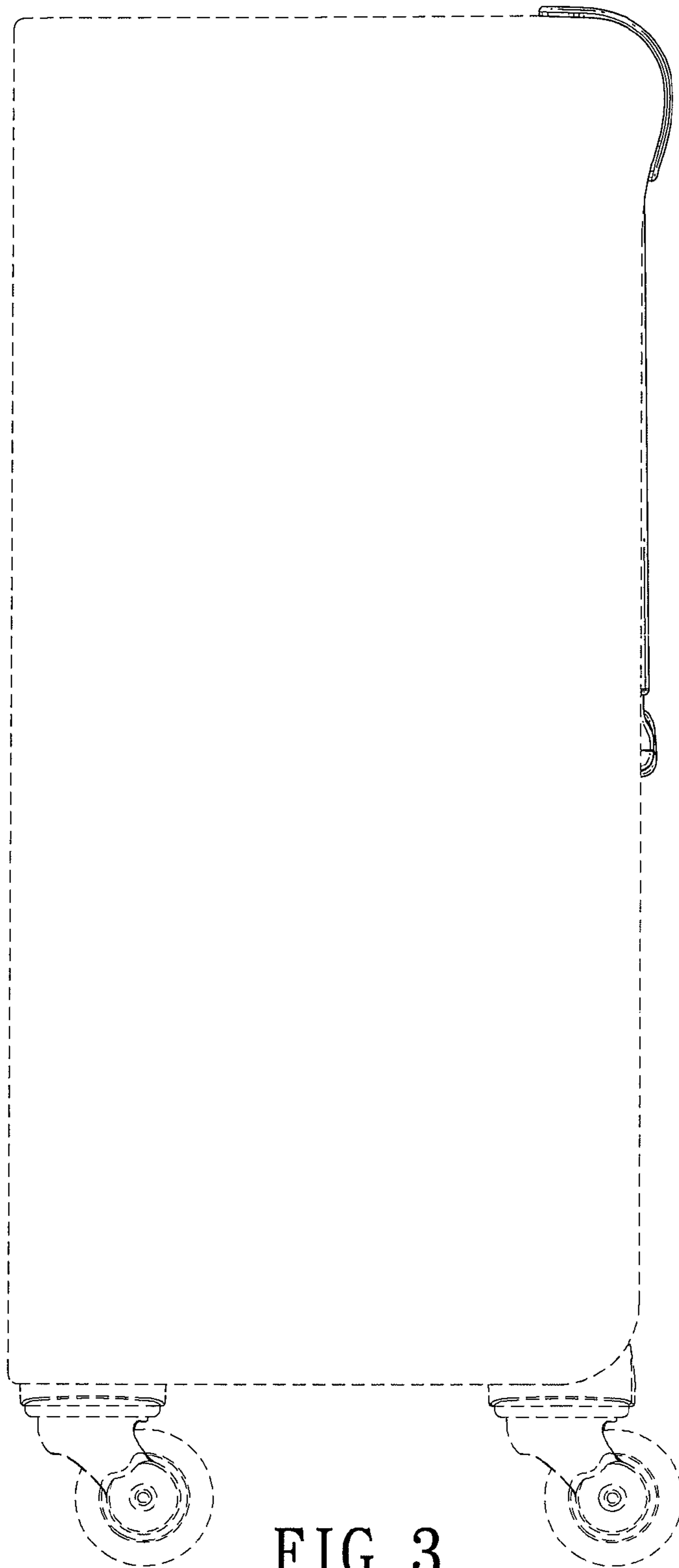


FIG. 3

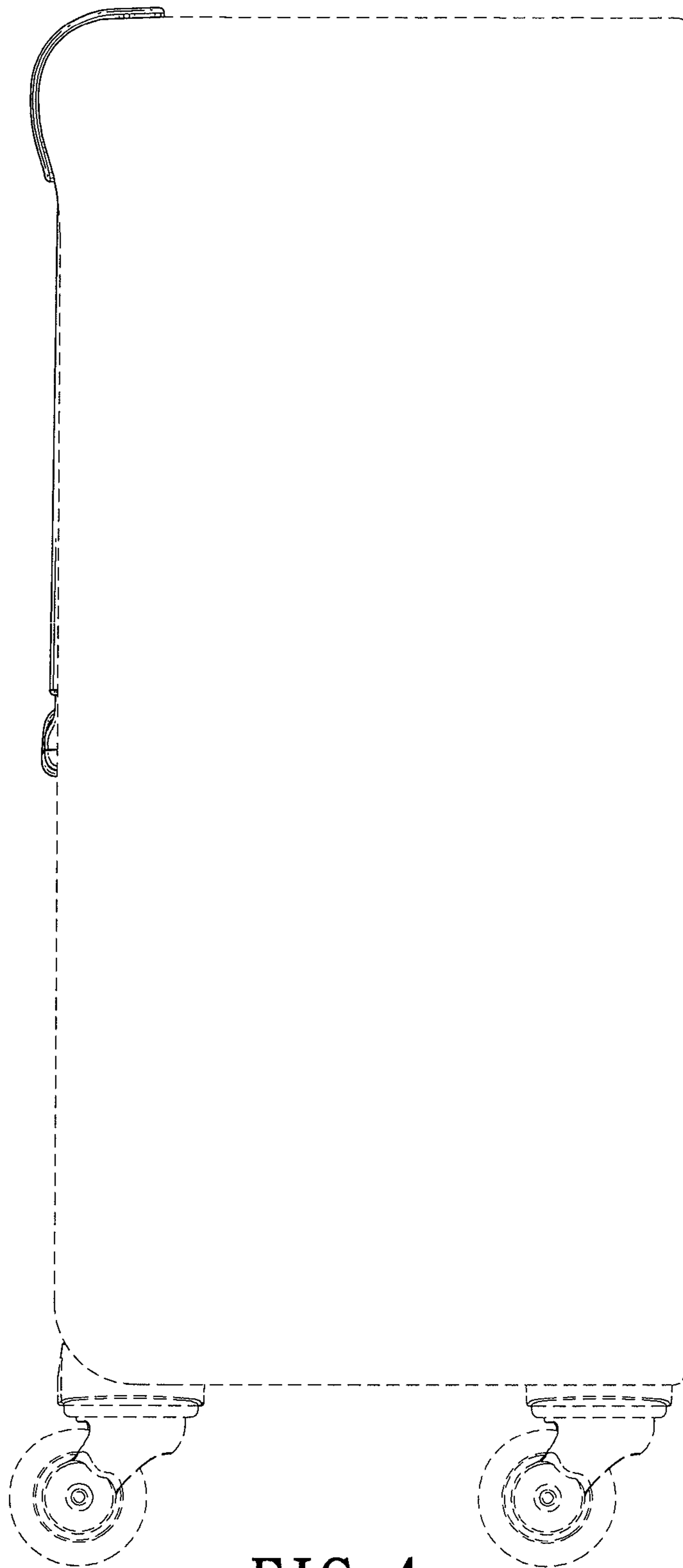


FIG. 4

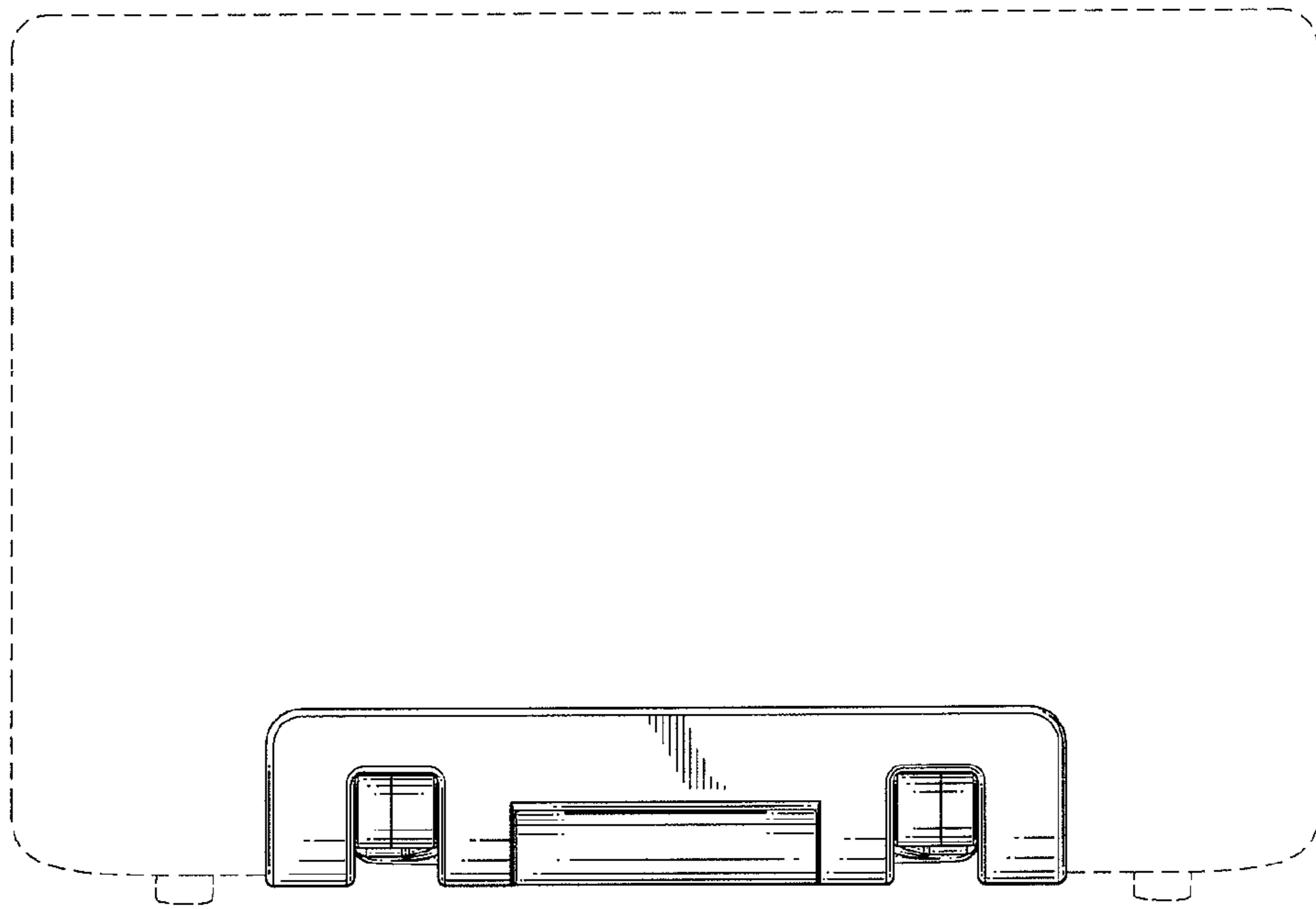


FIG. 5

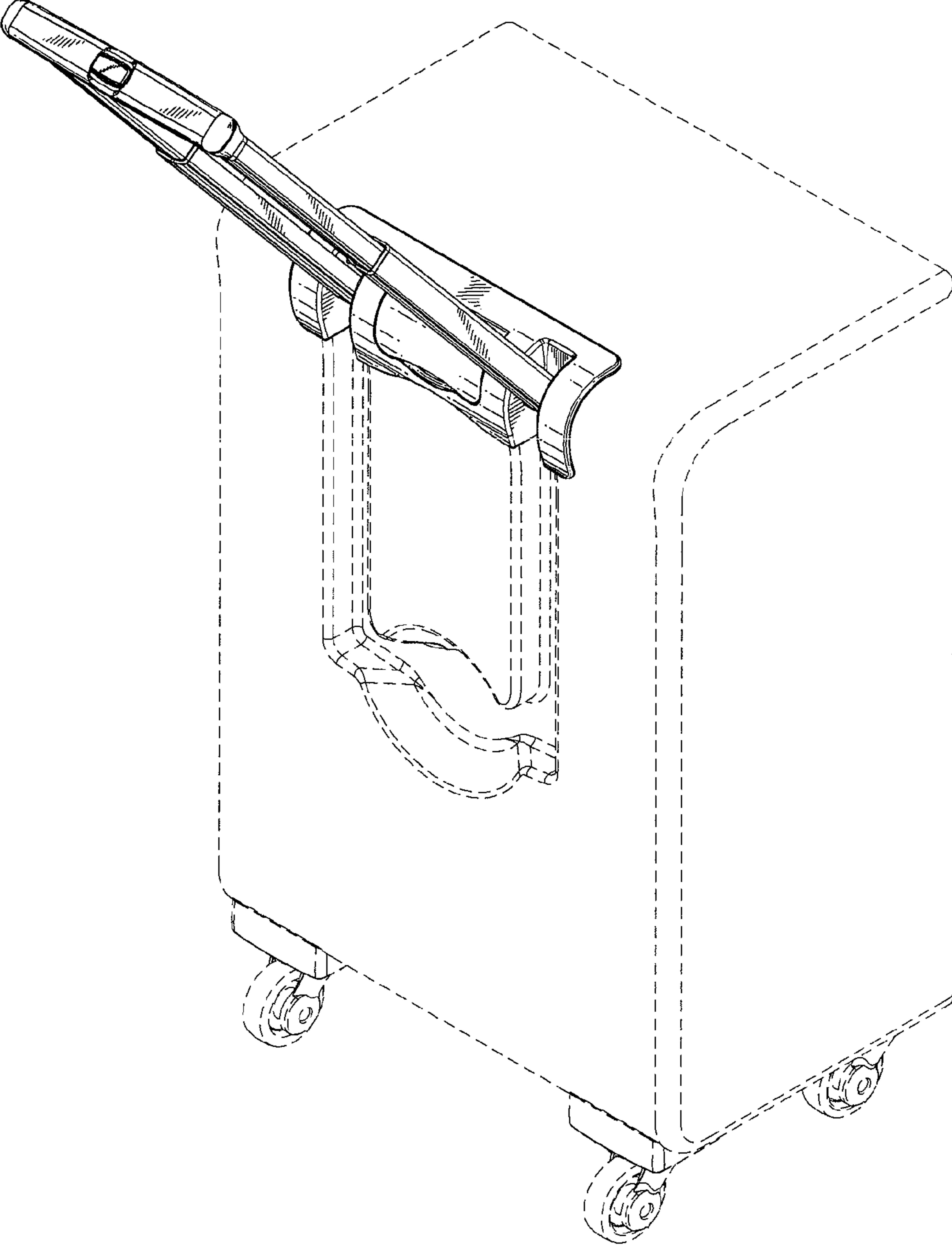


FIG. 6



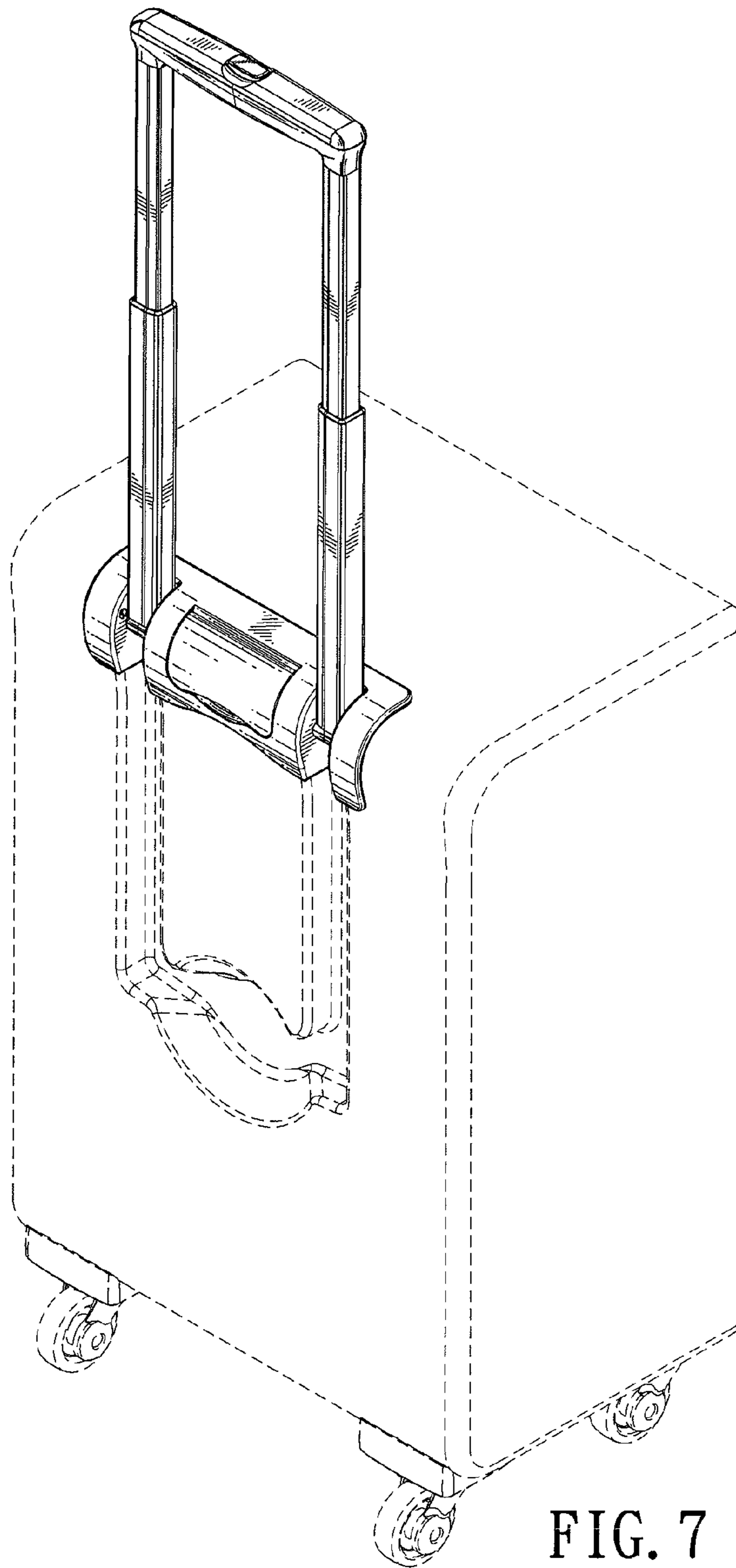


FIG. 7