



US00D702441S

(12) **United States Design Patent**  
**Perez-Segarra**

(10) **Patent No.:** **US D702,441 S**  
(45) **Date of Patent:** **\*\* Apr. 15, 2014**

(54) **BASKET**

(71) Applicant: **Juan Roberto Perez-Segarra**, San Juan,  
PR (US)

(72) Inventor: **Juan Roberto Perez-Segarra**, San Juan,  
PR (US)

(\*\*) Term: **14 Years**

(21) Appl. No.: **29/470,676**

(22) Filed: **Oct. 24, 2013**

(51) **LOC (10) Cl.** ..... **03-01**

(52) **U.S. Cl.**  
USPC ..... **D3/308**

(58) **Field of Classification Search**  
USPC ..... D3/304, 306-309, 315-316;  
D7/601-603, 608, 709; D9/429-430;  
D32/37, 53; 217/122, 125; 220/669,  
220/659

See application file for complete search history.

D590,561 S *	4/2009	Baltz	.....	D32/53
D597,382 S *	8/2009	Bognar	.....	D7/624.2
D602,694 S *	10/2009	Alvarez	.....	D3/315
D604,047 S *	11/2009	Williams	.....	D3/310
D608,066 S *	1/2010	Pearl et al.	.....	D32/53
D614,804 S *	4/2010	Davis	.....	D27/102
D639,612 S *	6/2011	Huang et al.	.....	D7/608
D648,537 S *	11/2011	Kostner	.....	D3/315
D649,220 S *	11/2011	Vreeland	.....	D23/209
D655,914 S *	3/2012	Perez	.....	D3/309
D655,915 S *	3/2012	Perez	.....	D3/309
D657,164 S *	4/2012	Grimaldi	.....	D6/491
D662,321 S *	6/2012	Perez-Segarra	.....	D3/309
D662,322 S *	6/2012	Perez-Segarra	.....	D3/309
D667,632 S *	9/2012	Goodman et al.	.....	D3/306
D680,330 S *	4/2013	Peterka	.....	D3/308

\* cited by examiner

*Primary Examiner* — Kelley Donnelly

(74) *Attorney, Agent, or Firm* — Hoglund & Pamas, PSC;  
Roberto J. Rios

(57) **CLAIM**

The ornamental design for a basket, as shown and described.

(56) **References Cited**

U.S. PATENT DOCUMENTS

D312,157 S *	11/1990	Sjolander	.....	D32/53
5,174,447 A *	12/1992	Fleming	.....	206/373
D381,514 S *	7/1997	Wood	.....	D3/306
D386,860 S *	11/1997	Breen	.....	D32/53
D391,077 S *	2/1998	Lacy et al.	.....	D3/306
D396,912 S *	8/1998	Maire et al.	.....	D32/53
D398,663 S *	9/1998	Frelander	.....	D21/532
5,848,701 A *	12/1998	Riccabona	.....	206/702
D417,326 S *	11/1999	Greene	.....	D32/53
D448,530 S *	9/2001	Johnson	.....	D30/129
D451,280 S *	12/2001	Snell	.....	D3/309
D451,648 S *	12/2001	Johnson	.....	D30/129
D459,582 S *	7/2002	Lacy et al.	.....	D3/307
D493,929 S *	8/2004	Schwarz	.....	D32/53
D516,815 S *	3/2006	Peller et al.	.....	D3/306
D536,172 S *	2/2007	Baez	.....	D3/309

**DESCRIPTION**

FIG. 1 is a side perspective view of a first embodiment of a basket;

FIG. 2 is a side view of the basket of FIG. 1.

FIG. 3 is a bottom view of the basket of FIG. 1.

FIG. 4 is a top view of the basket of FIG. 1

FIG. 5 is a side perspective view of a second embodiment of a basket;

FIG. 6 is a side view of the basket of FIG. 5.

FIG. 7 is a bottom view of the basket of FIG. 5; and,

FIG. 8 is a top view of the basket of FIG. 5.

The broken lines are for the purpose of illustrating the environment of the design only and form no part of the claimed design.

**1 Claim, 4 Drawing Sheets**

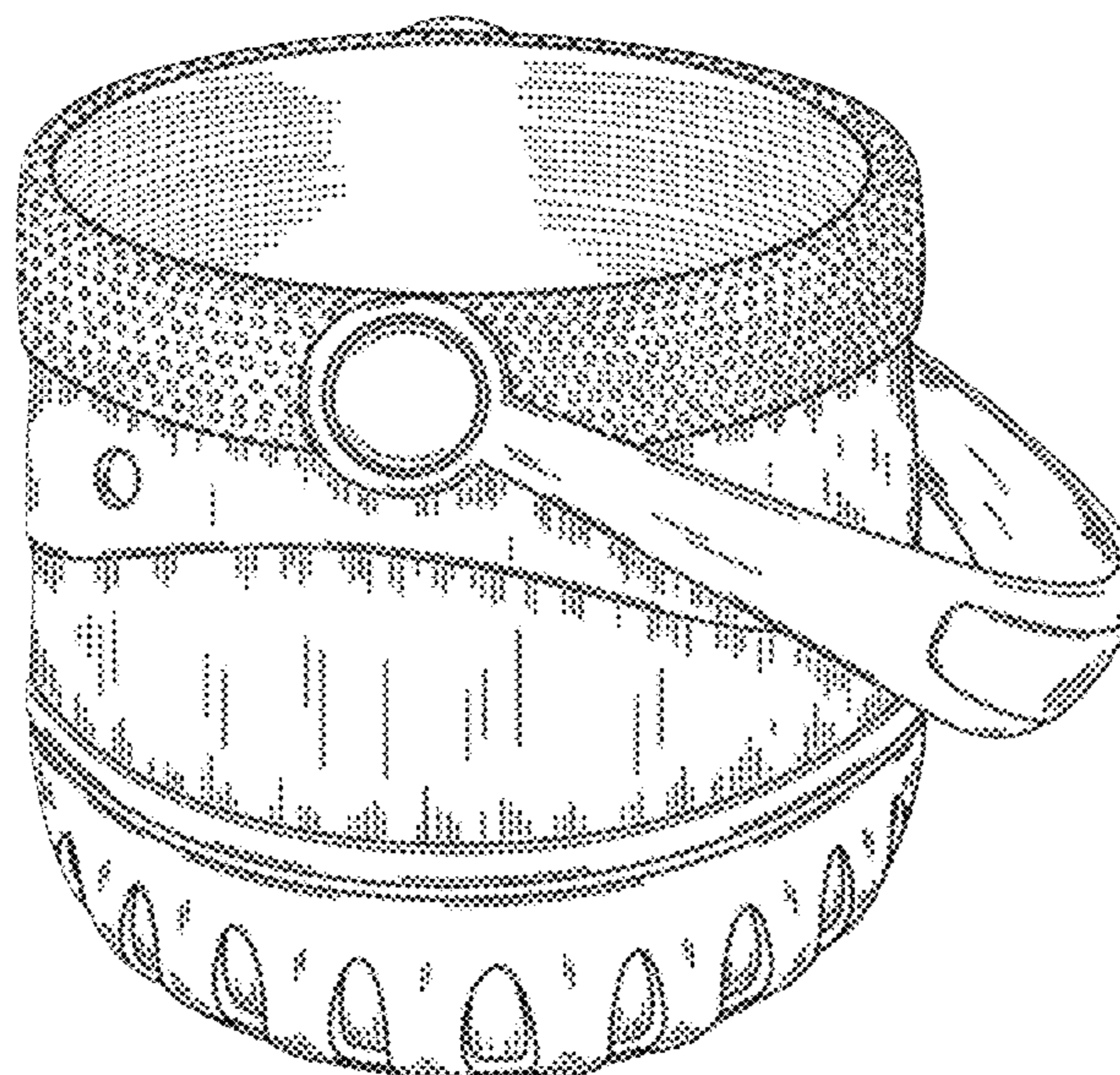


FIG. 1

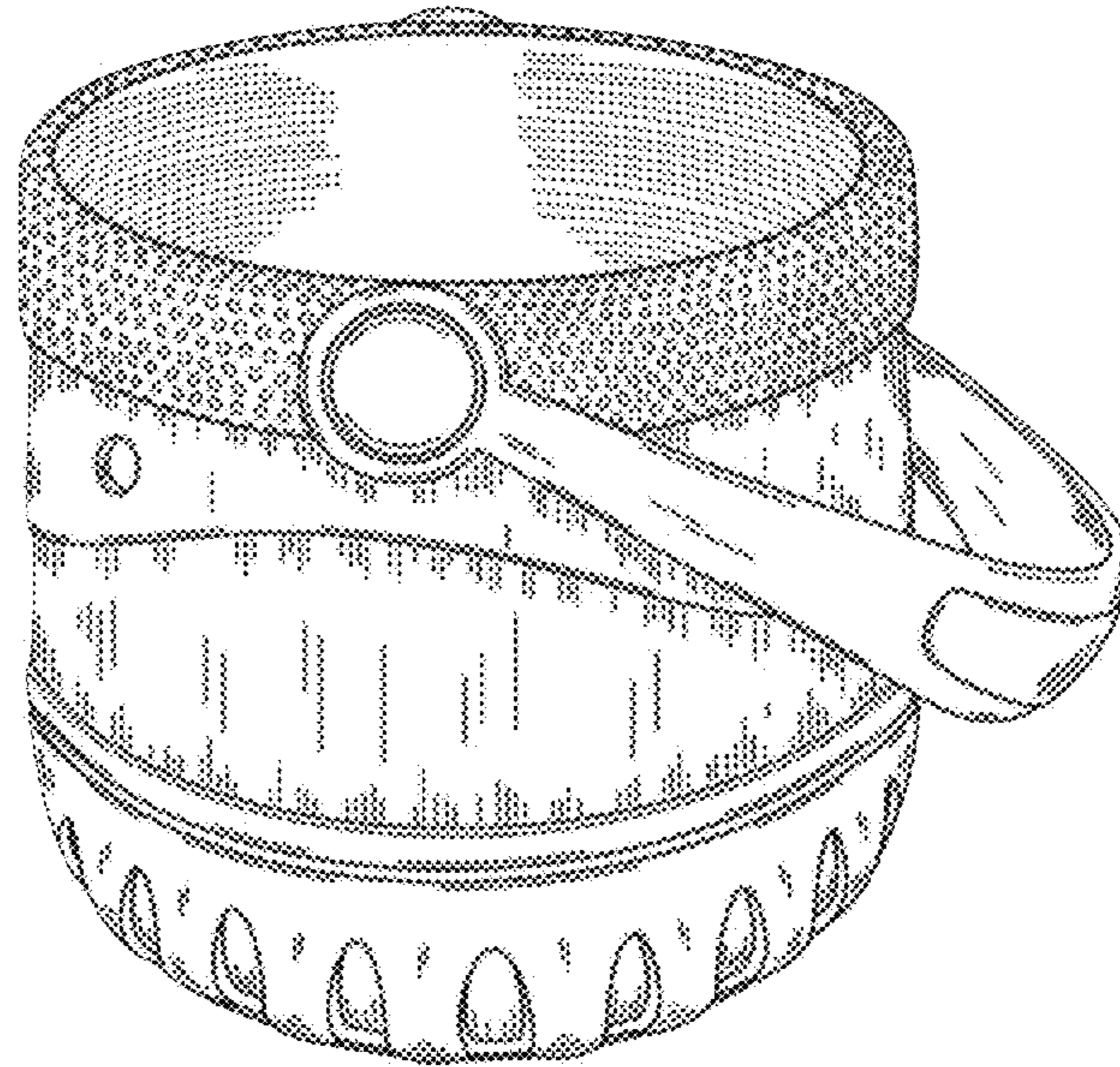


FIG. 2

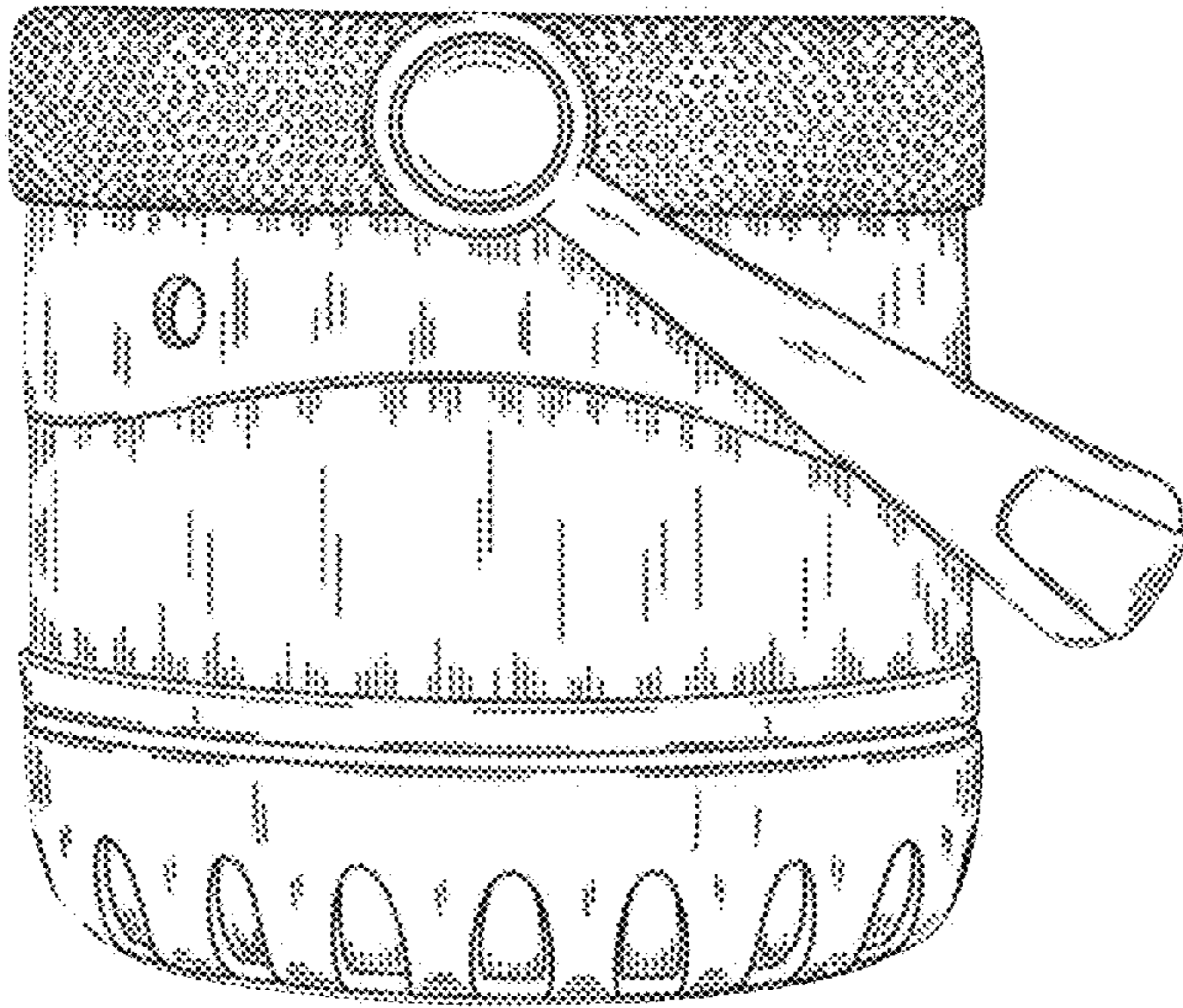


FIG. 3

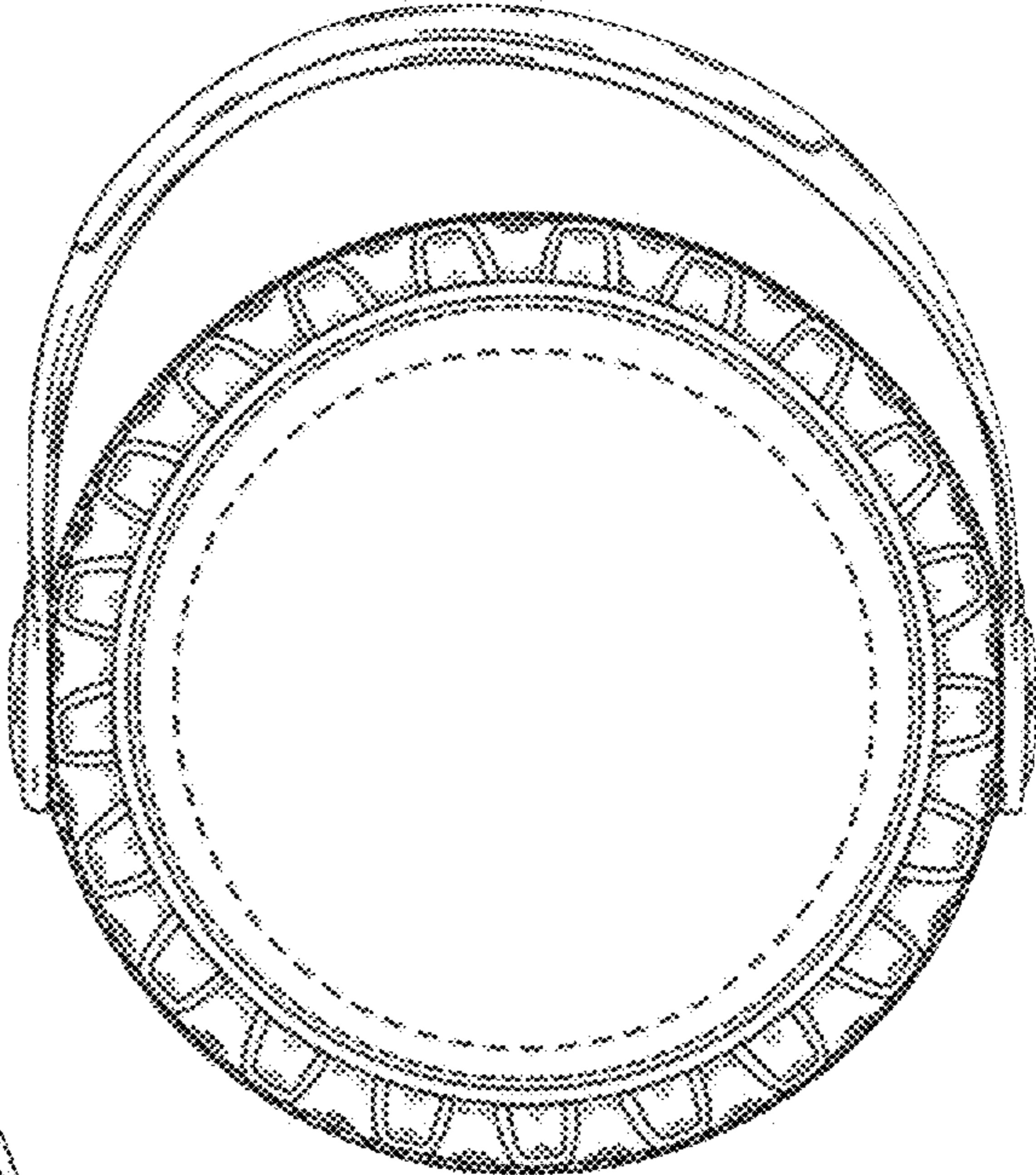


FIG. 4

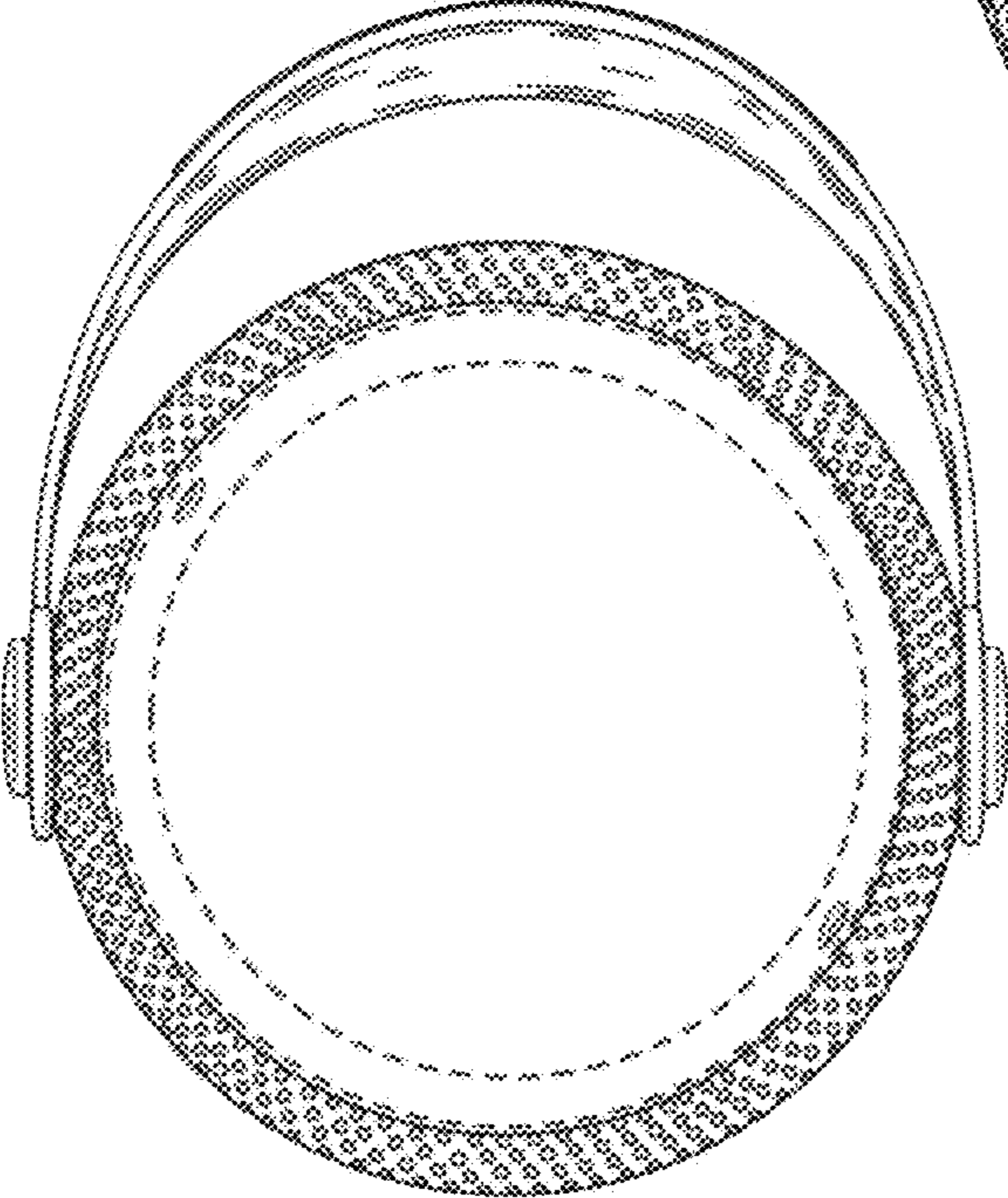


FIG. 5

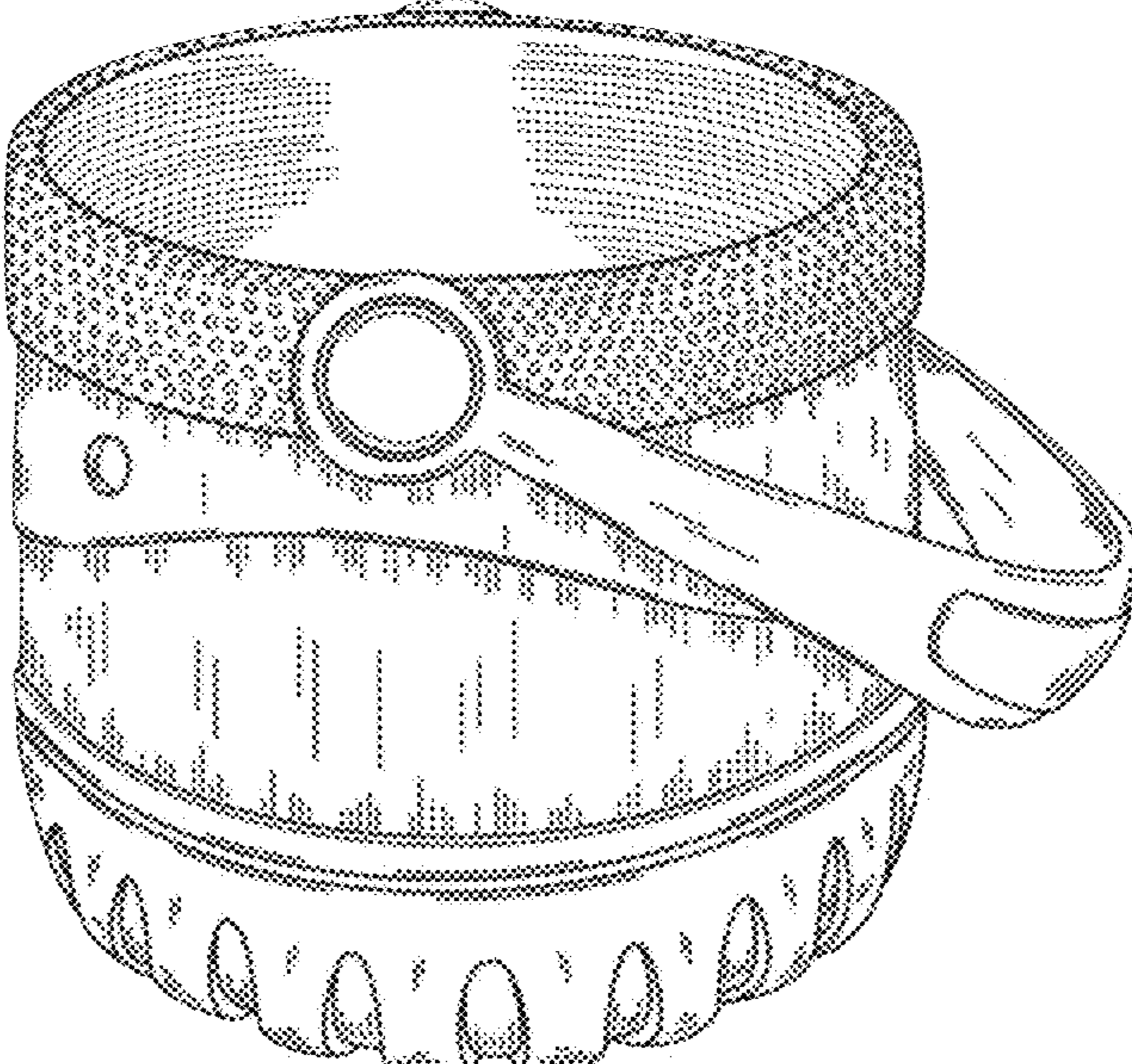


FIG. 6

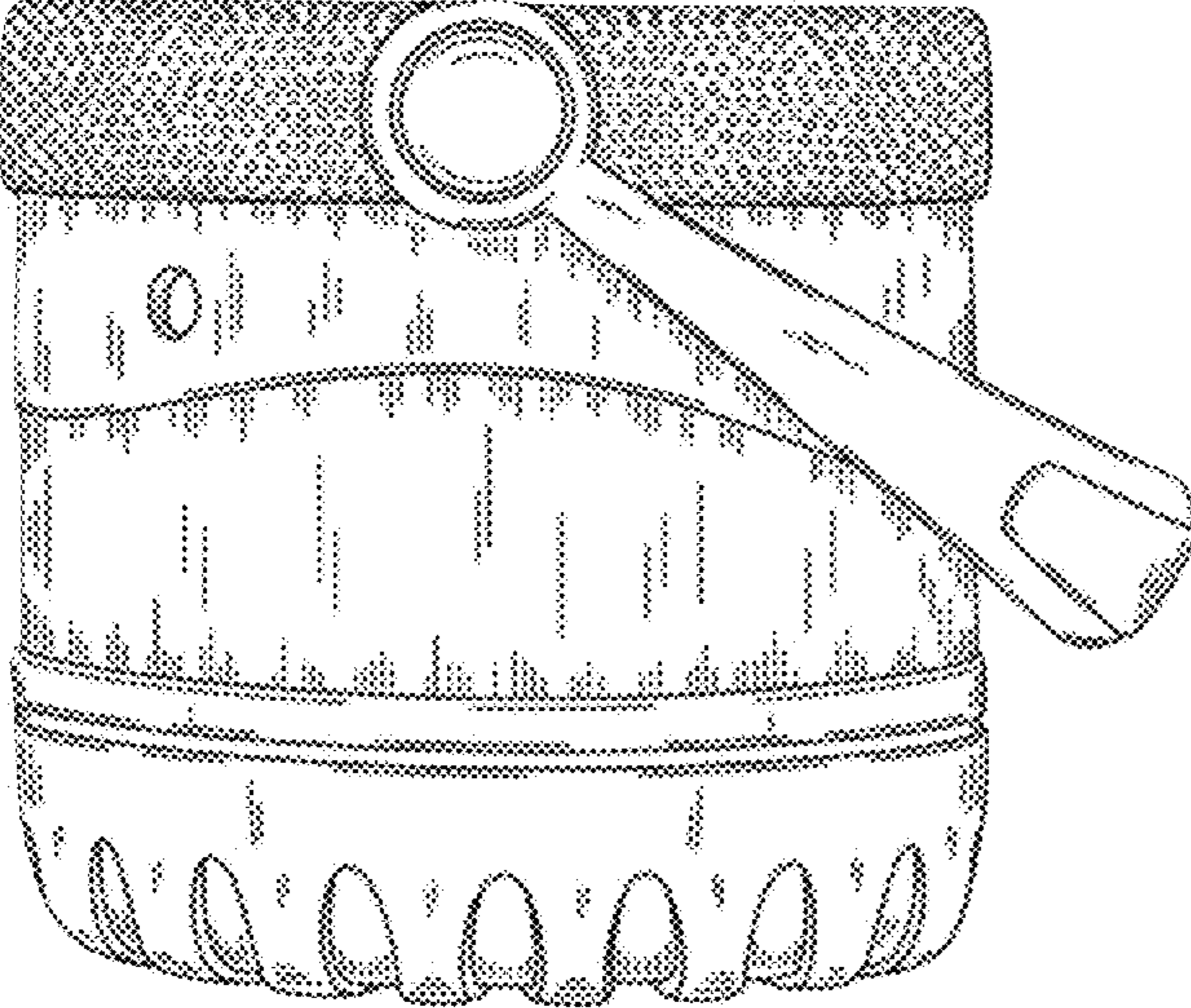


FIG. 7

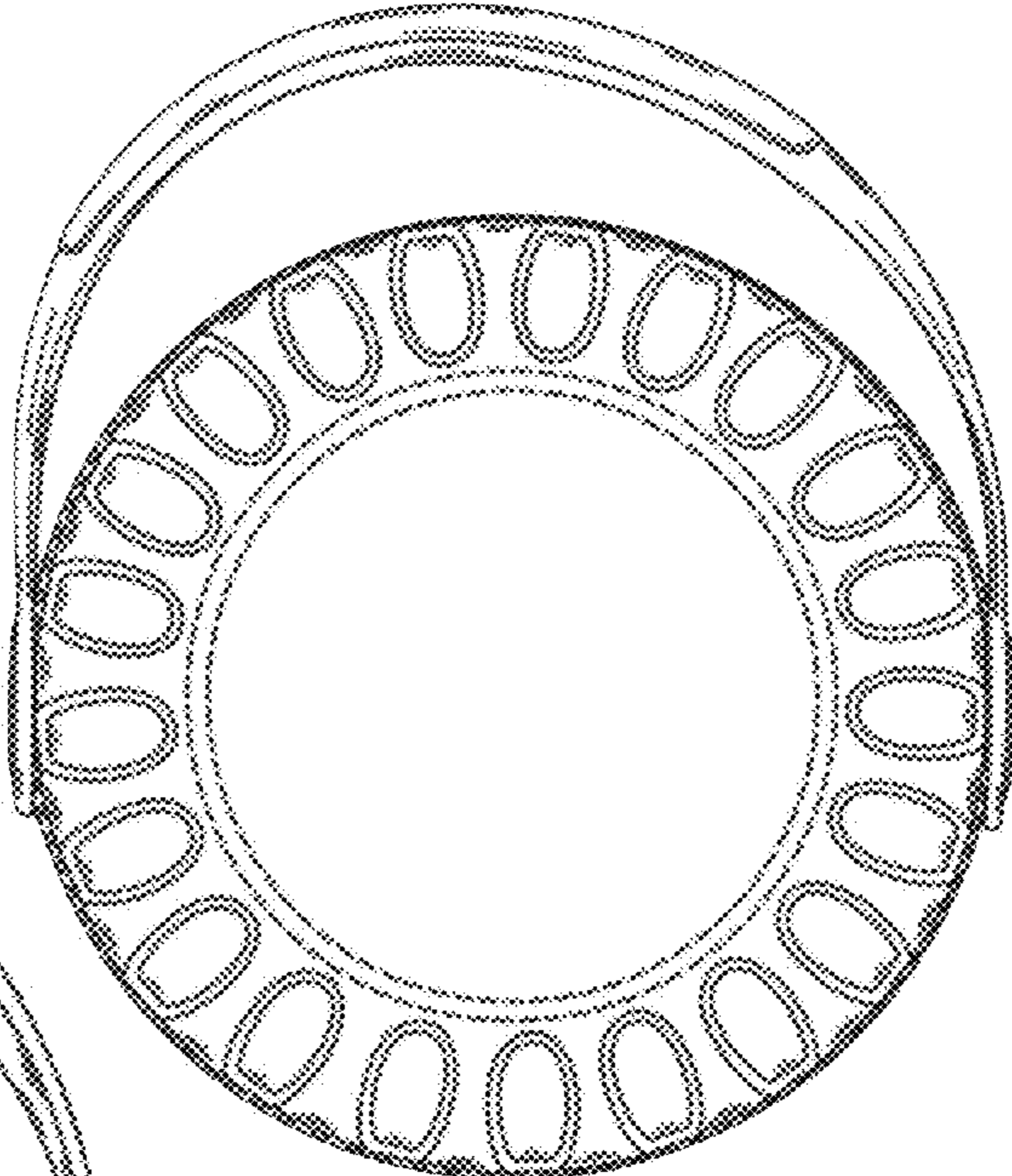


FIG. 8

