



US00D702440S

(12) **United States Design Patent**
Williams et al.

(10) **Patent No.:** **US D702,440 S**
(45) **Date of Patent:** **** Apr. 15, 2014**

(54) **TRAY**

(56) **References Cited**

(71) Applicants: **Neil P. Williams**, Racine, WI (US);
Christopher Conley, Milwaukee, WI
(US); **Jo Anthony Sasota**, Milwaukee,
WI (US); **Chrysoula Myrto Nigl**,
Highland Park, IL (US); **Heather**
Harwood, Oak Creek, WI (US);
Christopher Alan Harris, Madison, WI
(US); **Christopher T. Strahm**, Deforest,
WI (US)

(72) Inventors: **Neil P. Williams**, Racine, WI (US);
Christopher Conley, Milwaukee, WI
(US); **Jo Anthony Sasota**, Milwaukee,
WI (US); **Chrysoula Myrto Nigl**,
Highland Park, IL (US); **Heather**
Harwood, Oak Creek, WI (US);
Christopher Alan Harris, Madison, WI
(US); **Christopher T. Strahm**, Deforest,
WI (US)

(73) Assignee: **S.C. Johnson & Son, Inc.**, Racine, WI
(US)

(**) Term: **14 Years**

(21) Appl. No.: **29/461,469**

(22) Filed: **Jul. 23, 2013**

(51) **LOC (10) Cl.** **03-01**

(52) **U.S. Cl.**
USPC **D3/308**

(58) **Field of Classification Search**
USPC D6/524, 707.16, 704; D3/304, 307,
D3/308, 309, 310, 311, 313, 315; 206/372,
206/373, 514; D7/701, 706; 220/500, 505,
220/507, 752, 904

See application file for complete search history.

U.S. PATENT DOCUMENTS

D211,842	S	*	7/1968	Vilegi	D3/311
3,463,353	A	*	8/1969	Peebles	206/514
D255,094	S	*	5/1980	Wright	D3/311
D307,967	S	*	5/1990	Lanius	D3/309
D309,971	S	*	8/1990	Quong	D3/311
D343,713	S	*	1/1994	Barber	D3/308
D364,039	S	*	11/1995	Kruger	D3/315
D501,347	S		2/2005	Conway et al.		
D501,728	S		2/2005	Conway et al.		
D502,002	S		2/2005	Conway et al.		
D502,324	S		3/2005	Conway et al.		
7,059,008	B2		6/2006	Morgan et al.		
D532,564	S		11/2006	Neumann et al.		
7,159,265	B2		1/2007	Soller et al.		
7,316,046	B2		1/2008	Michaels et al.		
D569,105	S	*	5/2008	Van Hoorn	D3/311
D588,365	S		3/2009	Conway et al.		
7,581,276	B2		9/2009	Endo et al.		
7,650,663	B2		1/2010	Michaels et al.		
7,827,648	B2		11/2010	Soller et al.		
D649,786	S	*	12/2011	Lipfert et al.	D3/308
D660,630	S		5/2012	Soller et al.		
D672,591	S		12/2012	Soller et al.		
D688,589	S	*	8/2013	Hung et al.	D3/315
D688,870	S	*	9/2013	Levie	D3/311

* cited by examiner

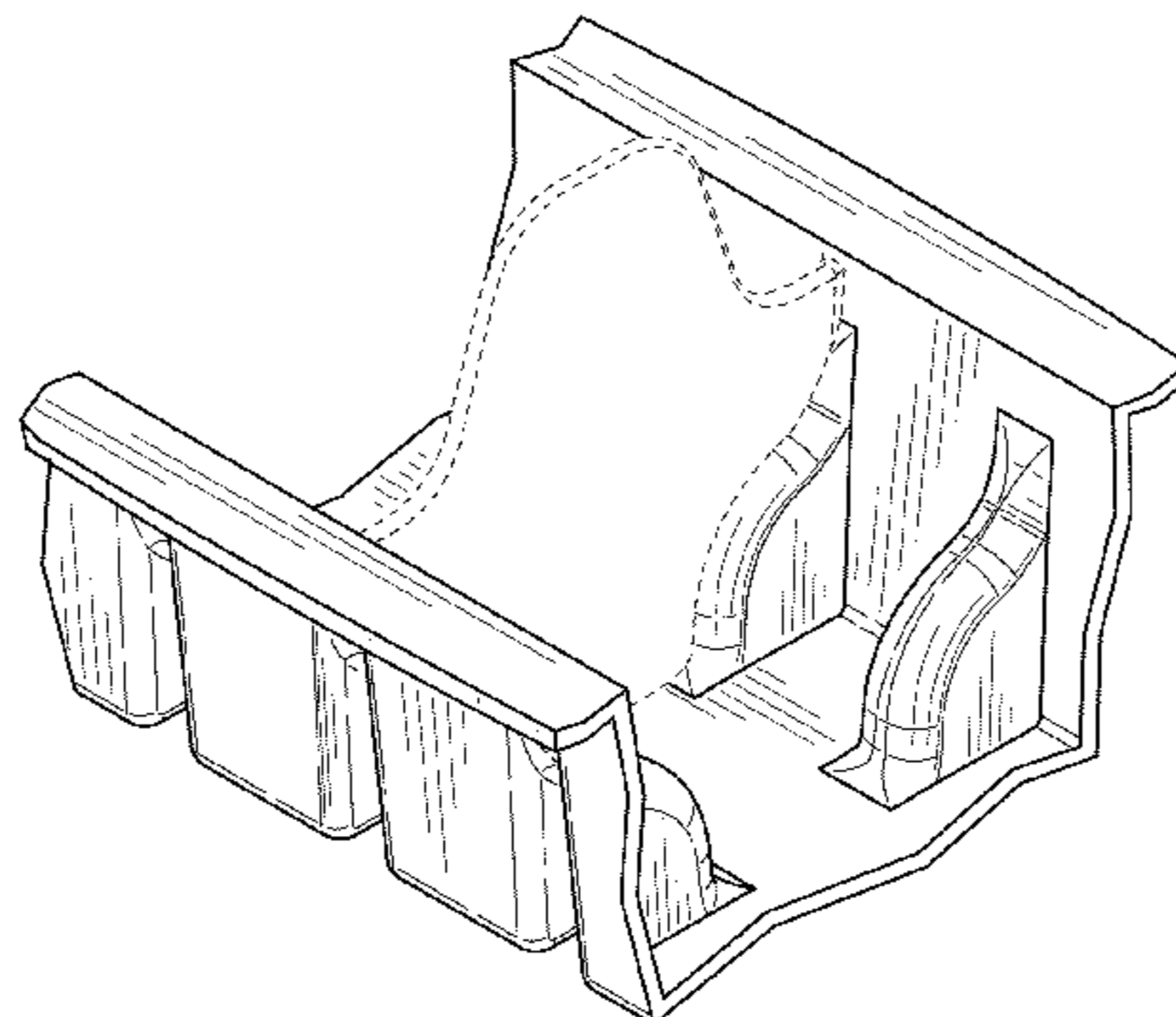
Primary Examiner — Brian N Vinson

(57) **CLAIM**
The ornamental design for a tray, as shown and described.

DESCRIPTION

FIG. 1 is a top, front, right perspective view of a tray our new design;
FIG. 2 is a front view thereof;
FIG. 3 is a rear view thereof;
FIG. 4 is a right side view thereof;
FIG. 5 is a left side view thereof;
FIG. 6 is a top view thereof; and,
FIG. 7 is a bottom view thereof.
The broken lines represent unclaimed portions of the tray, and the broken away edges indicate no assertion of length beyond that disclosed.

1 Claim, 4 Drawing Sheets



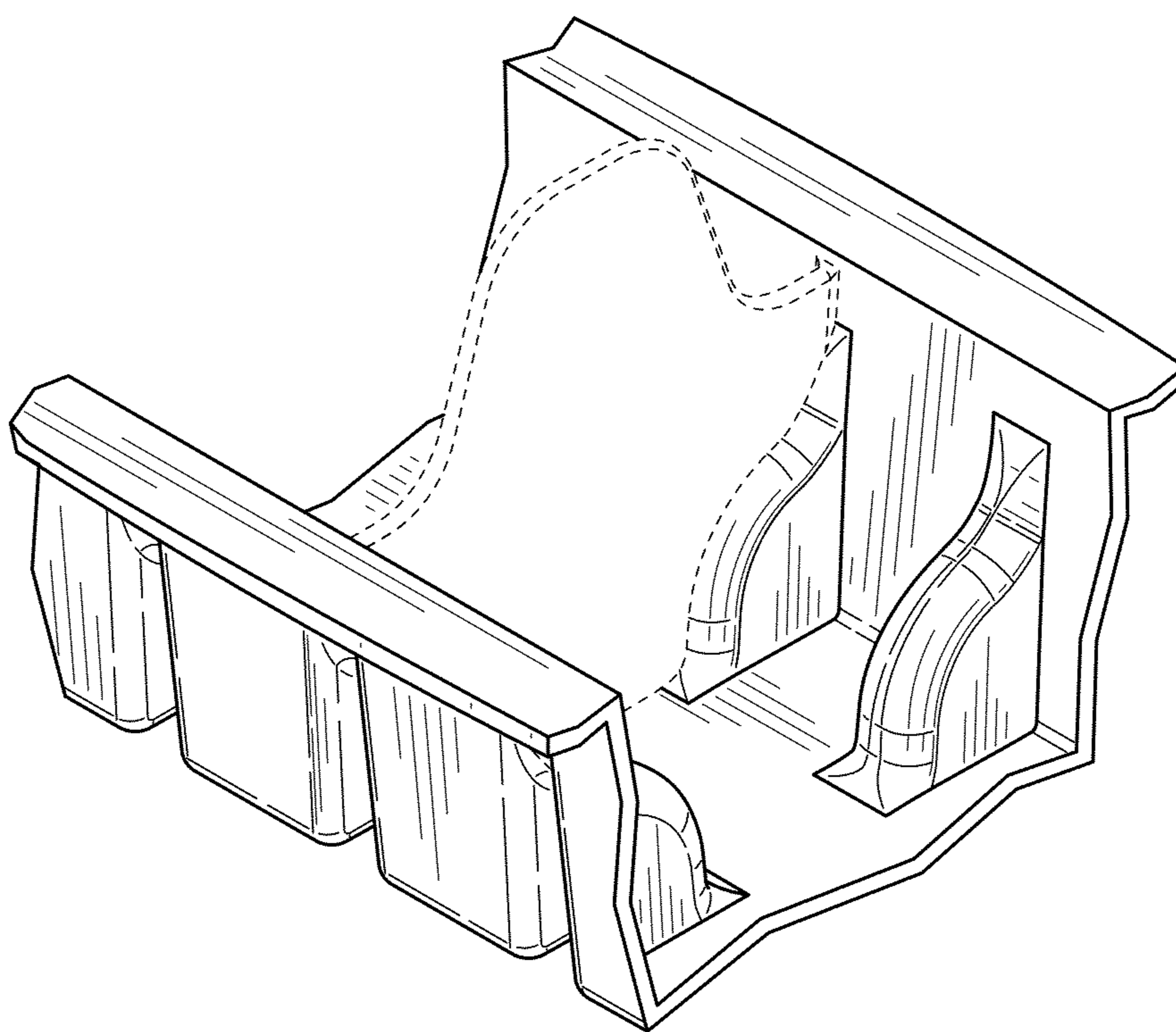


FIG. 1

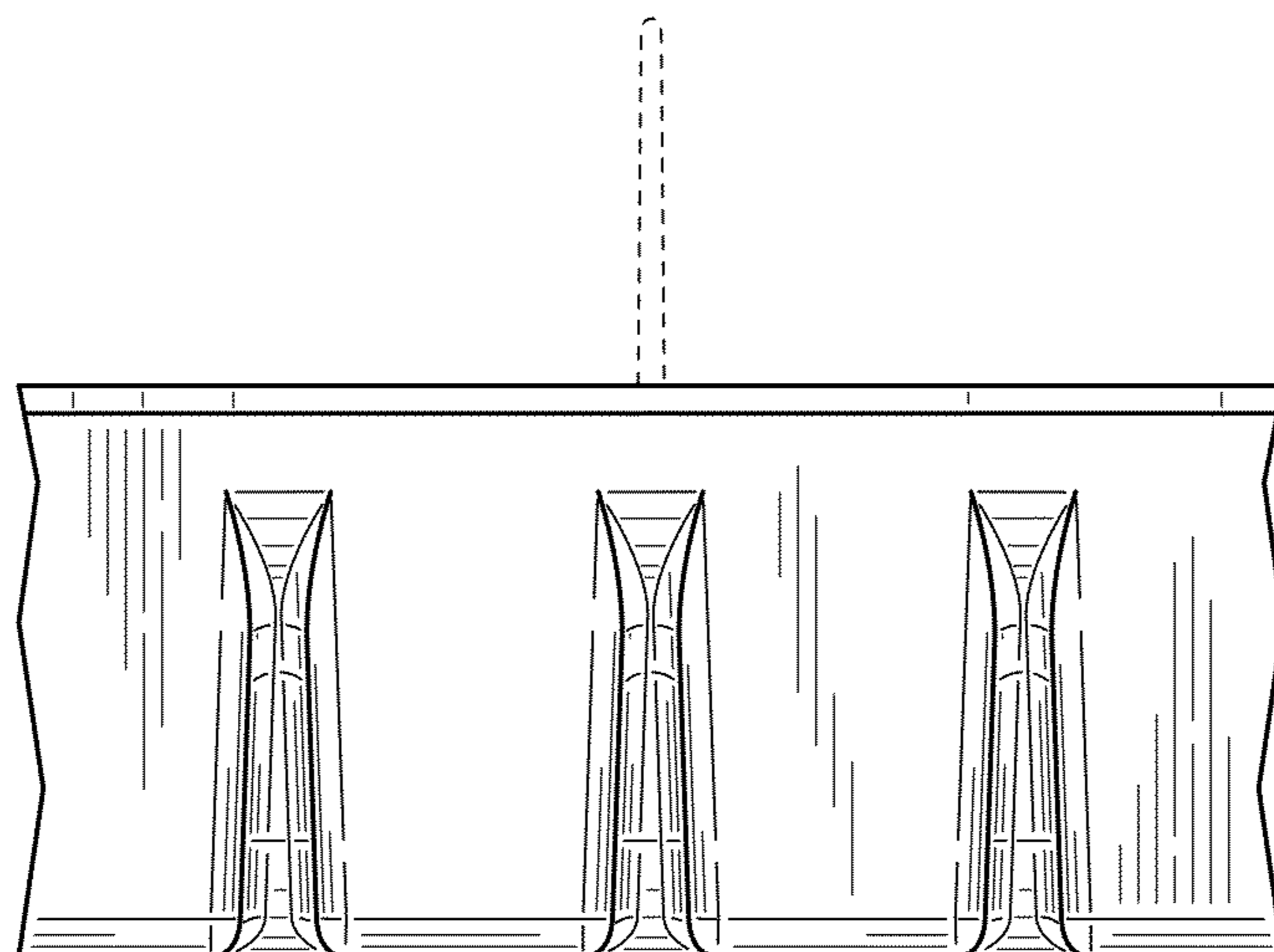


FIG. 2

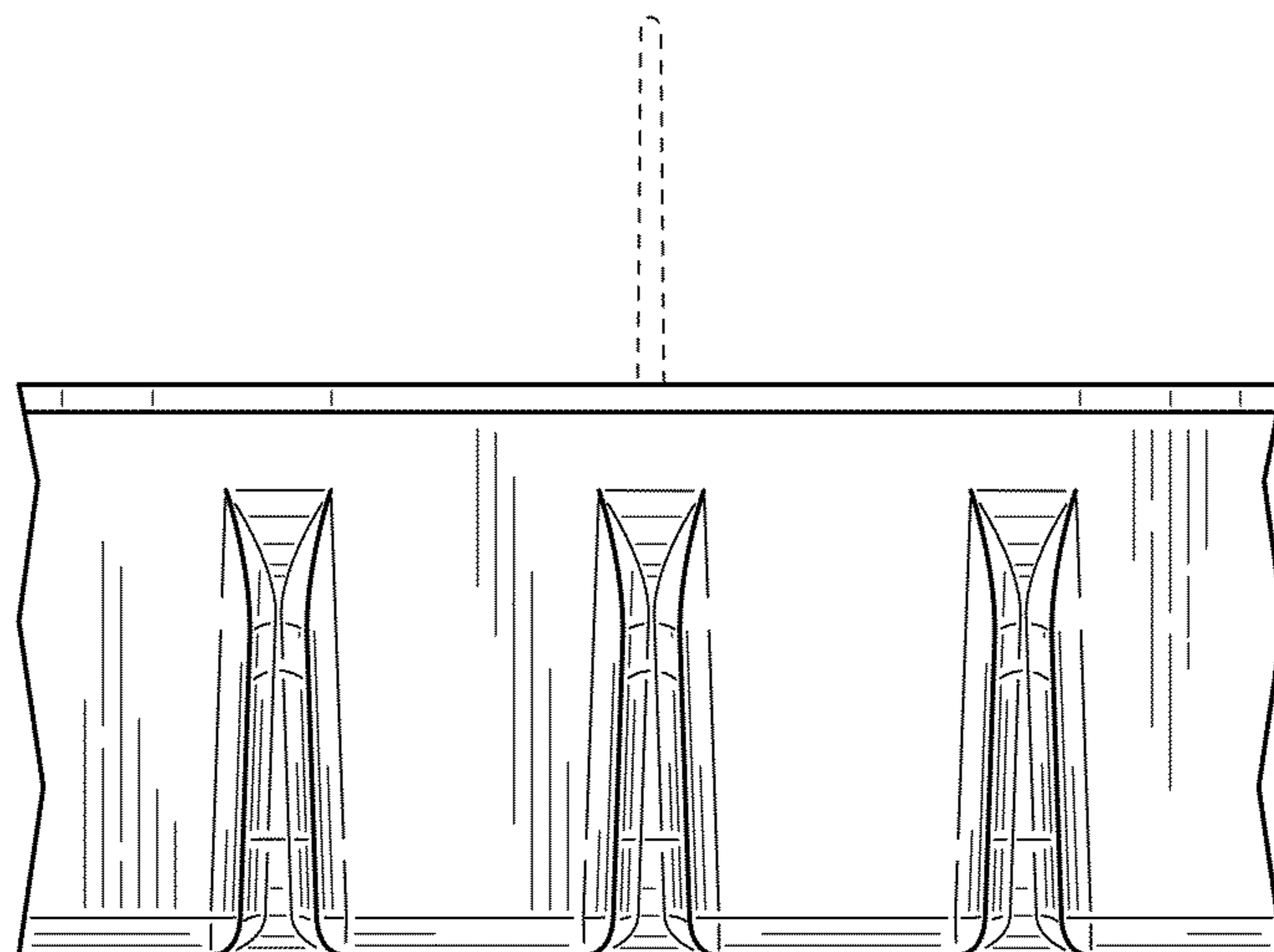


FIG. 3

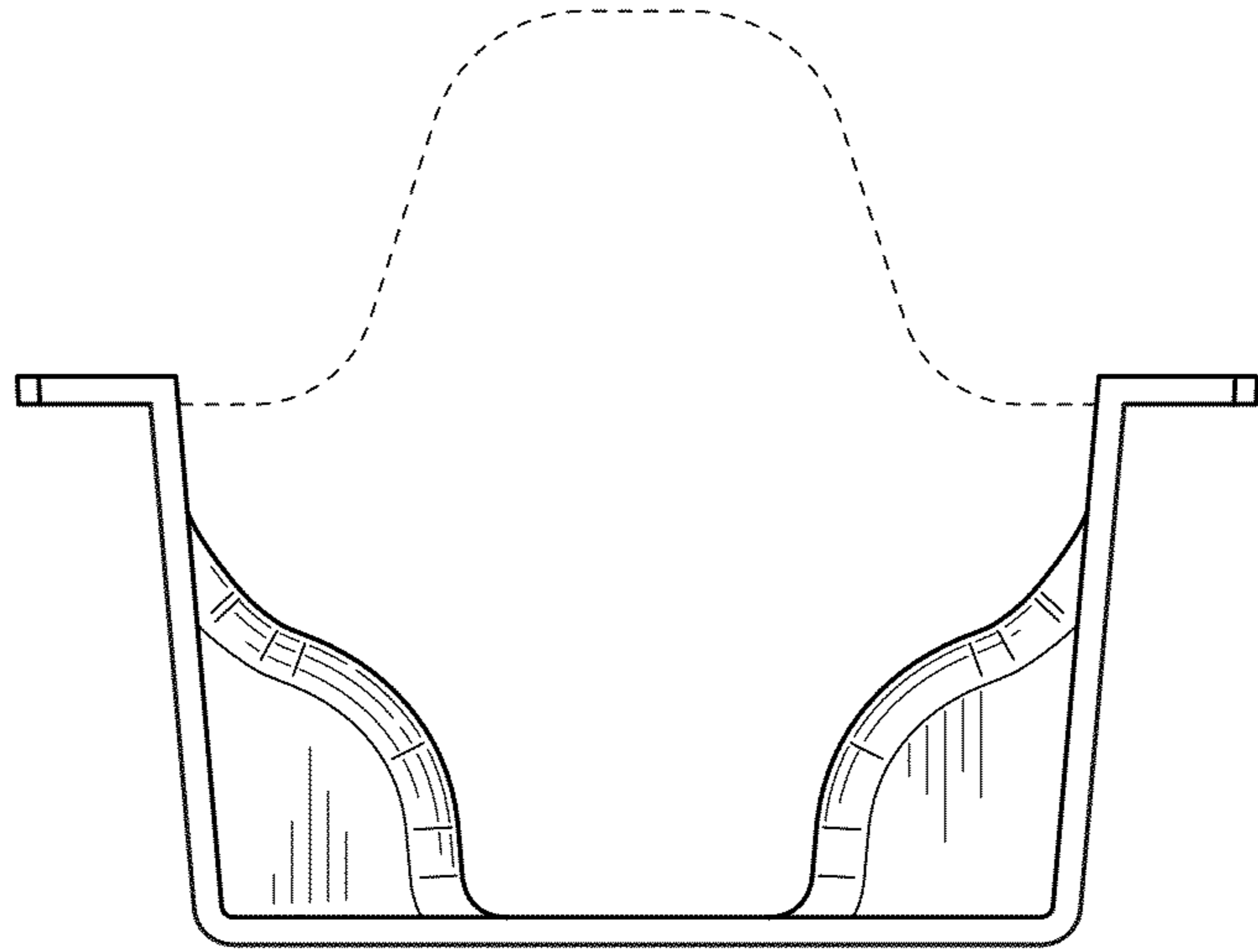


FIG. 4

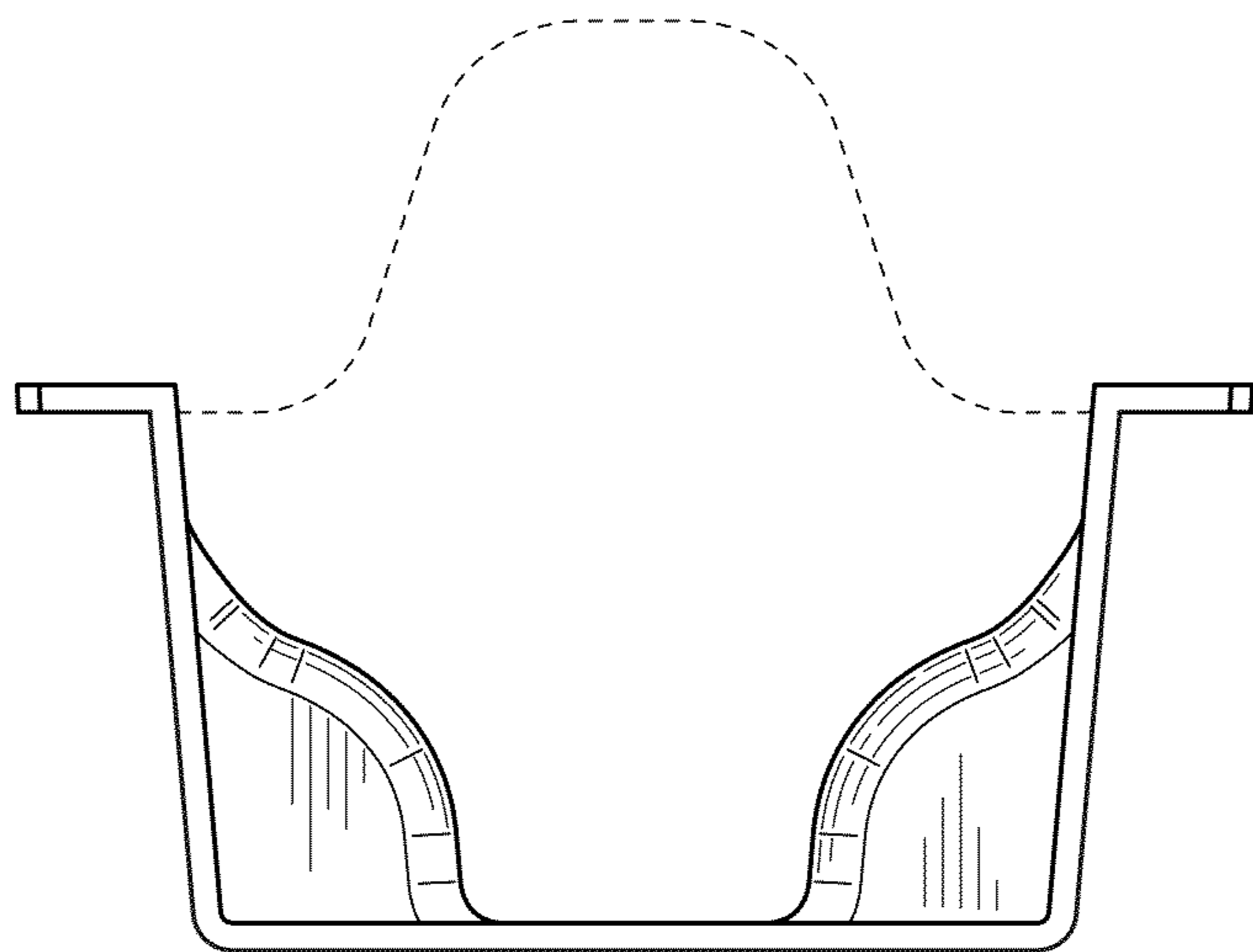


FIG. 5

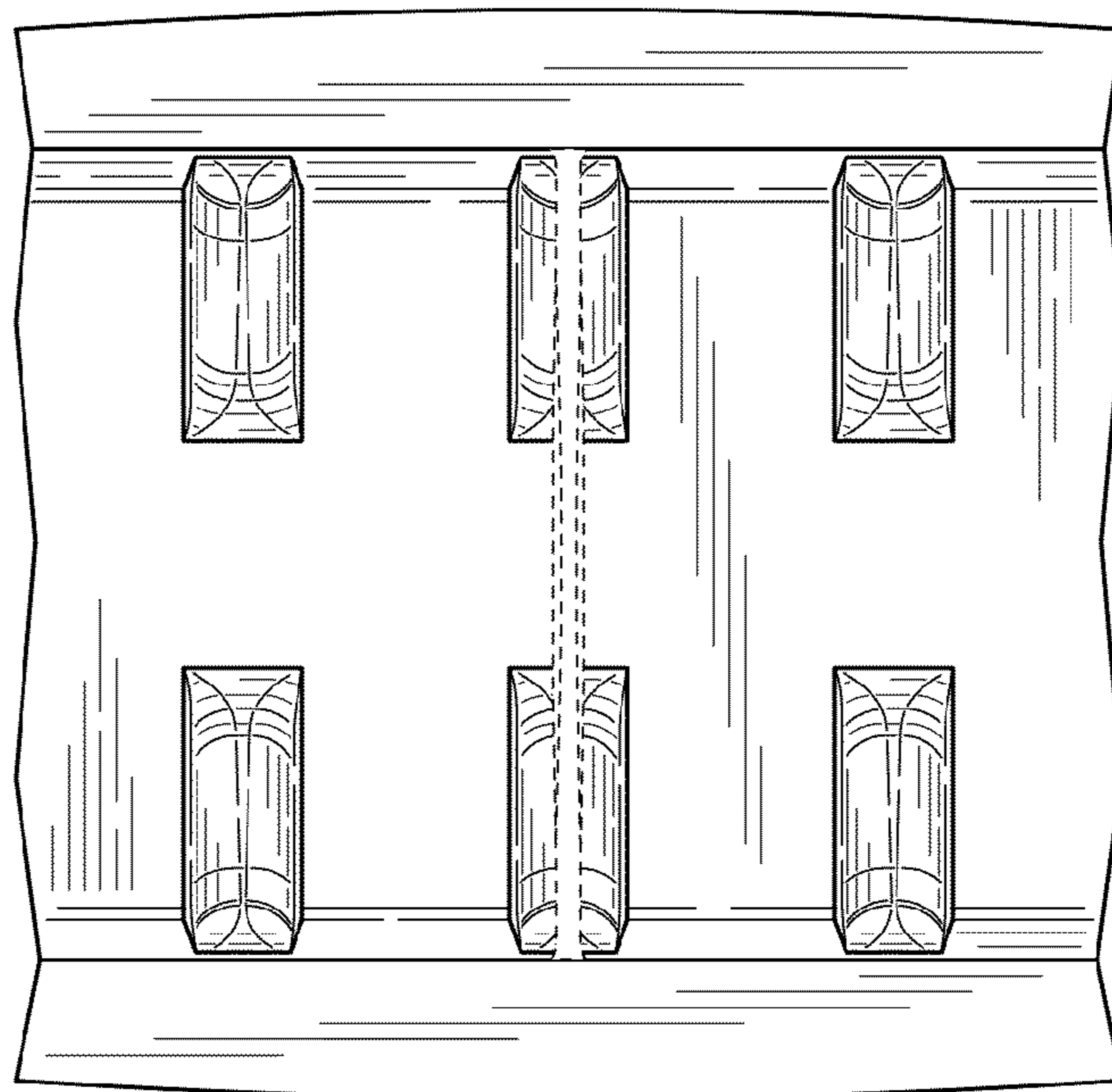


FIG. 6

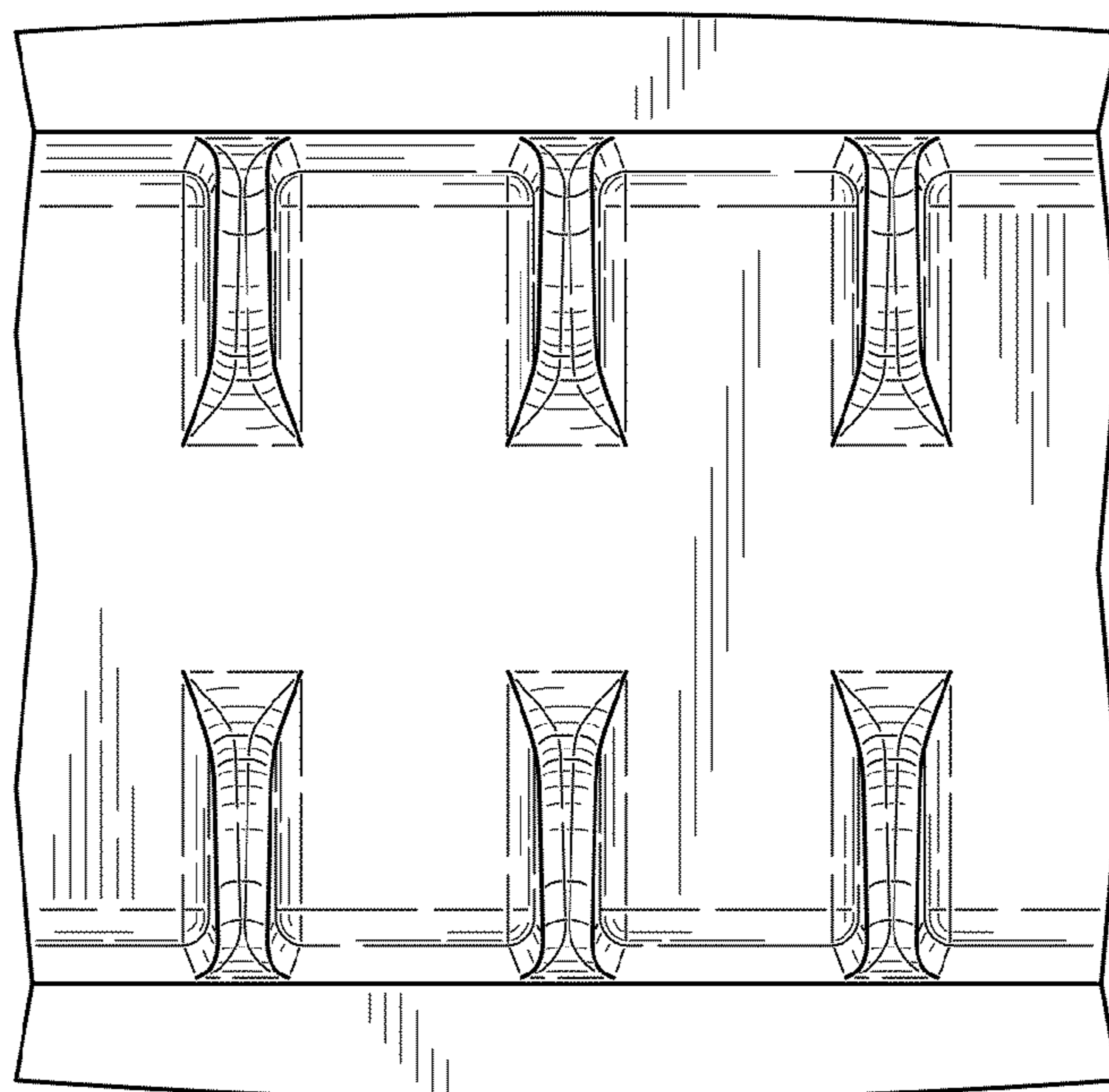


FIG. 7