



US00D702438S

(12) **United States Design Patent**
Chen

(10) **Patent No.:** **US D702,438 S**

(45) **Date of Patent:** **** Apr. 15, 2014**

(54) **TOOL BOX**

(71) Applicant: **Good Year Hardware Co., Ltd.**,
Changhua (TW)

(72) Inventor: **Tsai-Ching Chen**, Changhua (TW)

(73) Assignee: **Good Year Hardware Co., Ltd.**, Fu
Sing Hsing, Changhua (TW)

(**) Term: **14 Years**

(21) Appl. No.: **29/435,245**

(22) Filed: **Oct. 22, 2012**

(51) **LOC (10) Cl.** **30-01**

(52) **U.S. Cl.**
USPC **D3/294**

(58) **Field of Classification Search**
USPC D3/272, 294; 206/372-373, 503, 508,
206/278

See application file for complete search history.

(56) **References Cited**

U.S. PATENT DOCUMENTS

D427,767 S * 7/2000 Young D3/276
D430,398 S * 9/2000 Kimura D3/294
D608,094 S * 1/2010 Concari et al. D3/282

D613,059 S * 4/2010 Horiyama et al. D3/281
D635,361 S * 4/2011 Lalo D3/276
D650,173 S * 12/2011 Lima et al. D3/293
D650,585 S * 12/2011 Jamison et al. D3/294

* cited by examiner

Primary Examiner — Holly Baynham

(74) *Attorney, Agent, or Firm* — Muncy, Geissler, Olds &
Lowe, P.C.

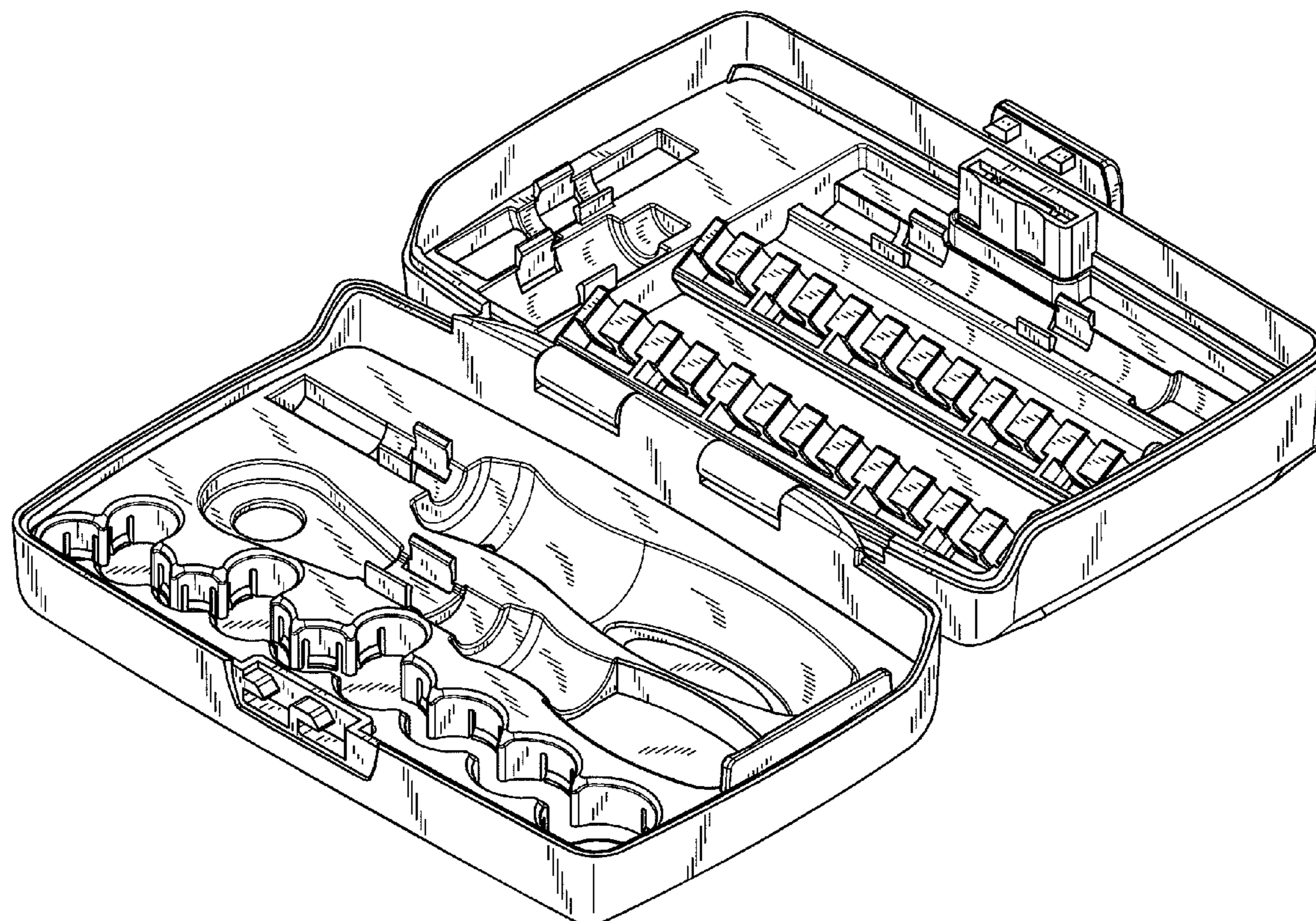
(57) **CLAIM**

The ornamental design for a tool box, as shown and described.

DESCRIPTION

FIG. 1 shows a perspective view of the present design.
FIG. 2 shows a front view of the present design.
FIG. 3 shows a rear view of the present design.
FIG. 4 shows a left side view of the present design.
FIG. 5 shows a right side view of the present design.
FIG. 6 shows a top view of the present design.
FIG. 7 shows a bottom view of the present design.
FIG. 8 is another perspective view of the tool box at an alternative angle; and,
FIG. 9 is another perspective view of the tool box in which tools are put.

1 Claim, 9 Drawing Sheets



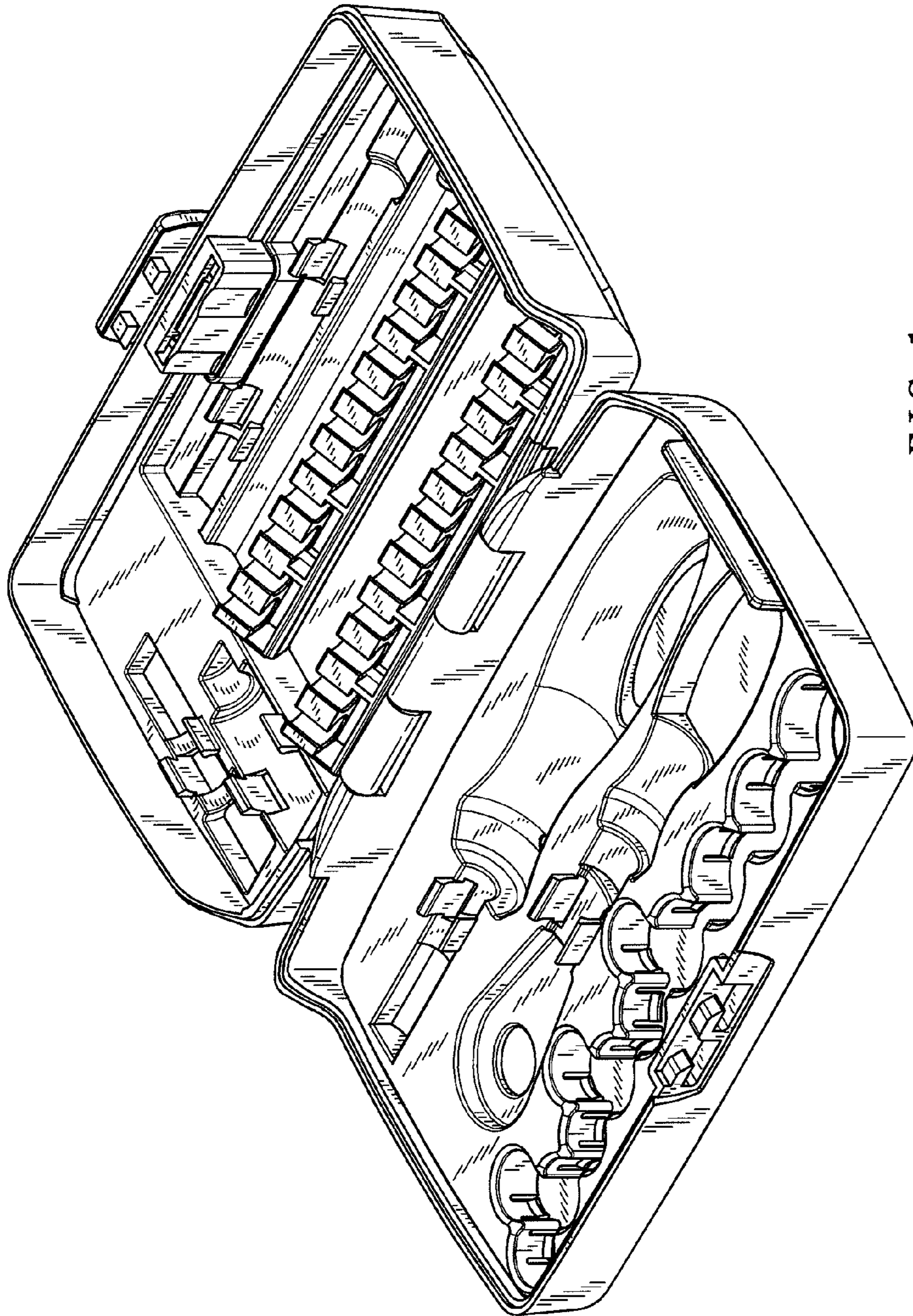


FIG. 1

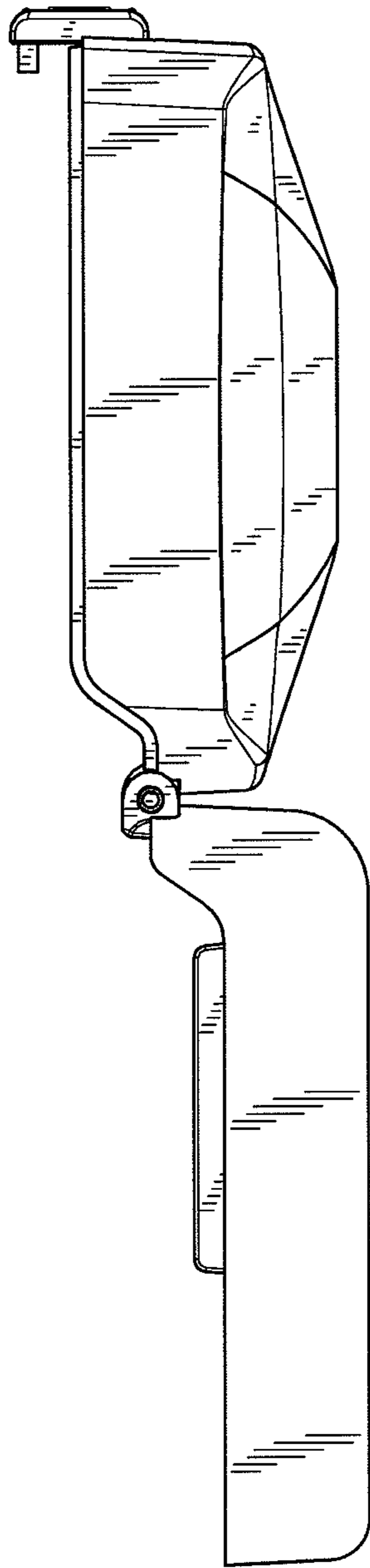


FIG. 2

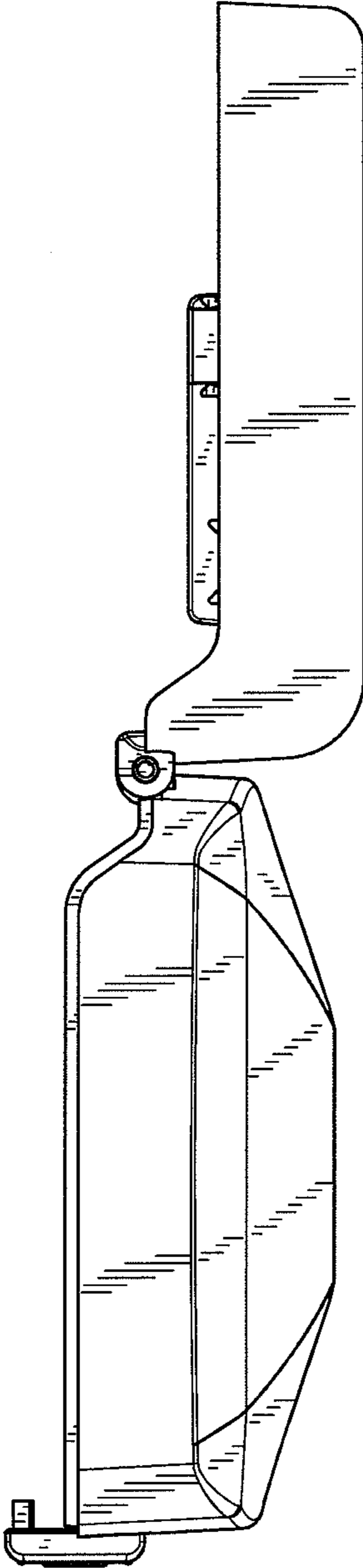


FIG. 3

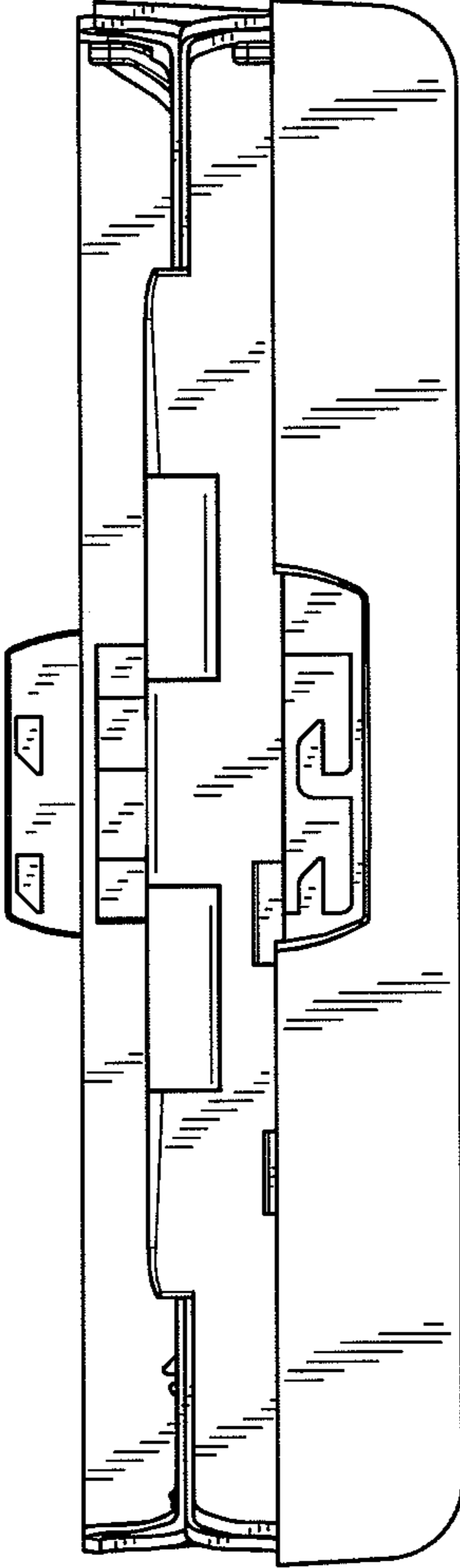


FIG. 4

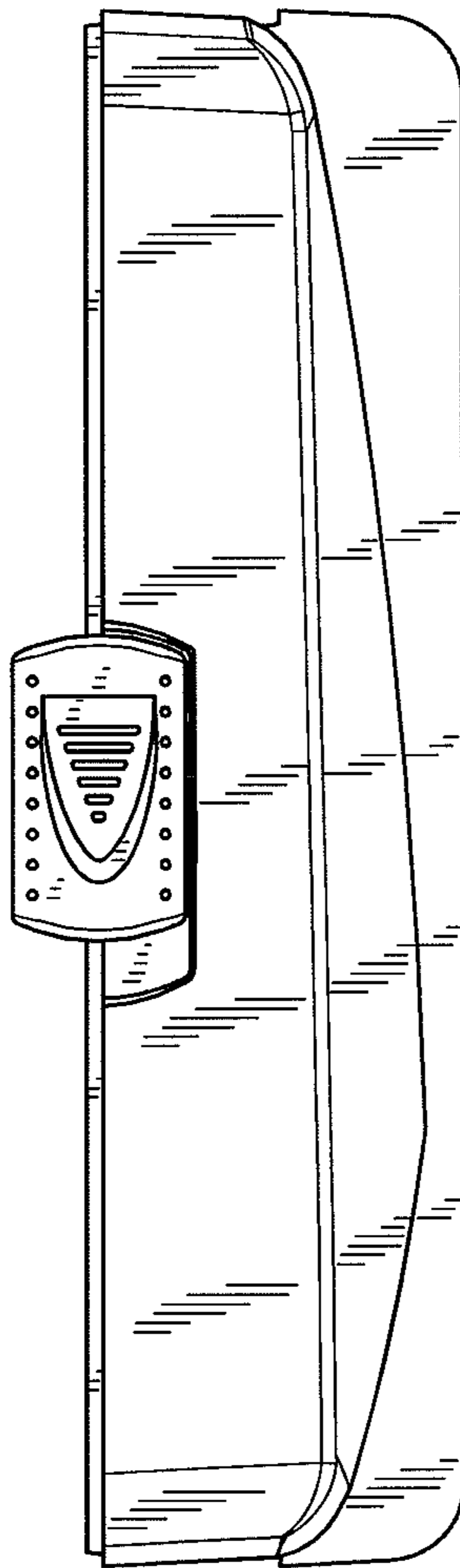


FIG. 5

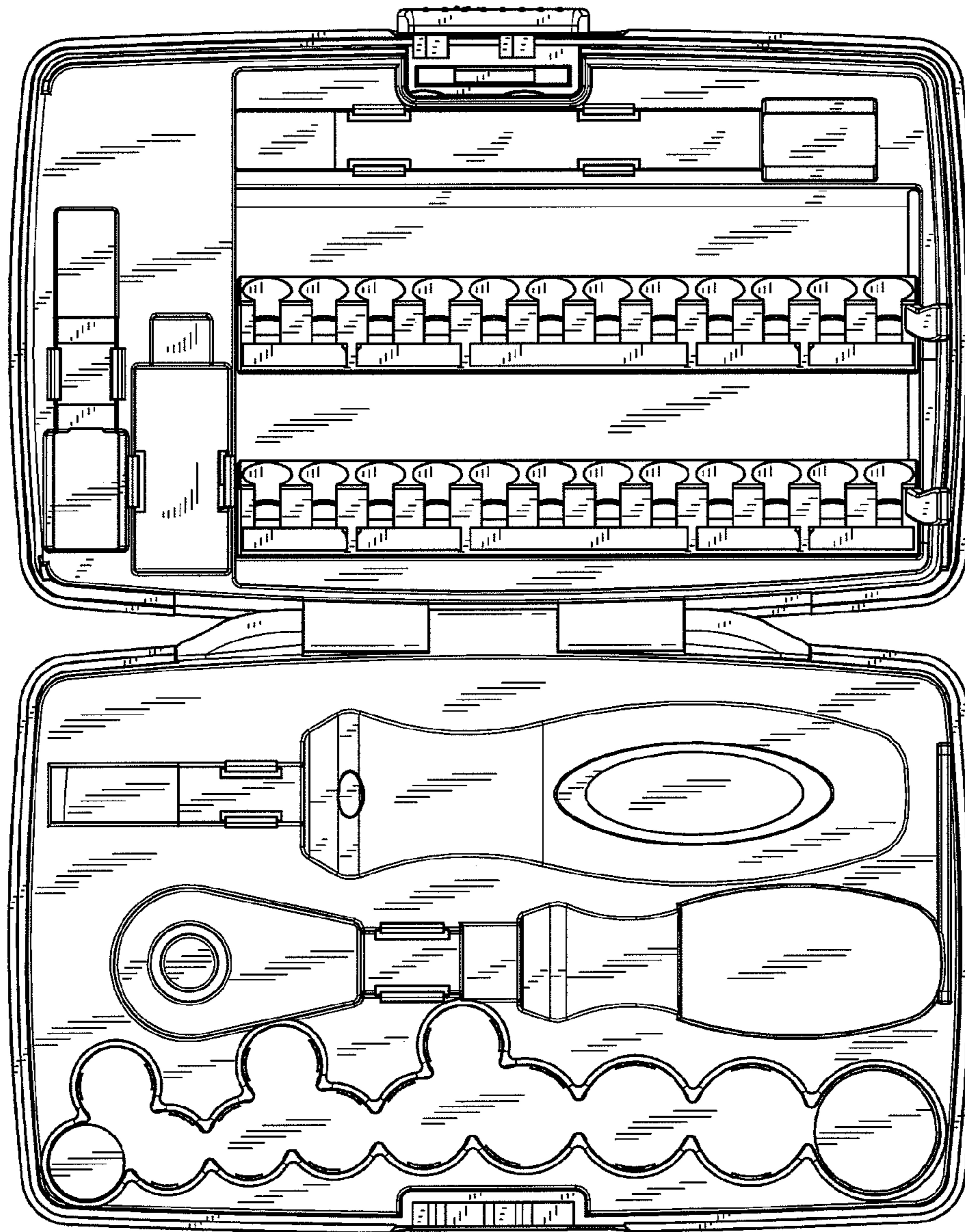


FIG. 6

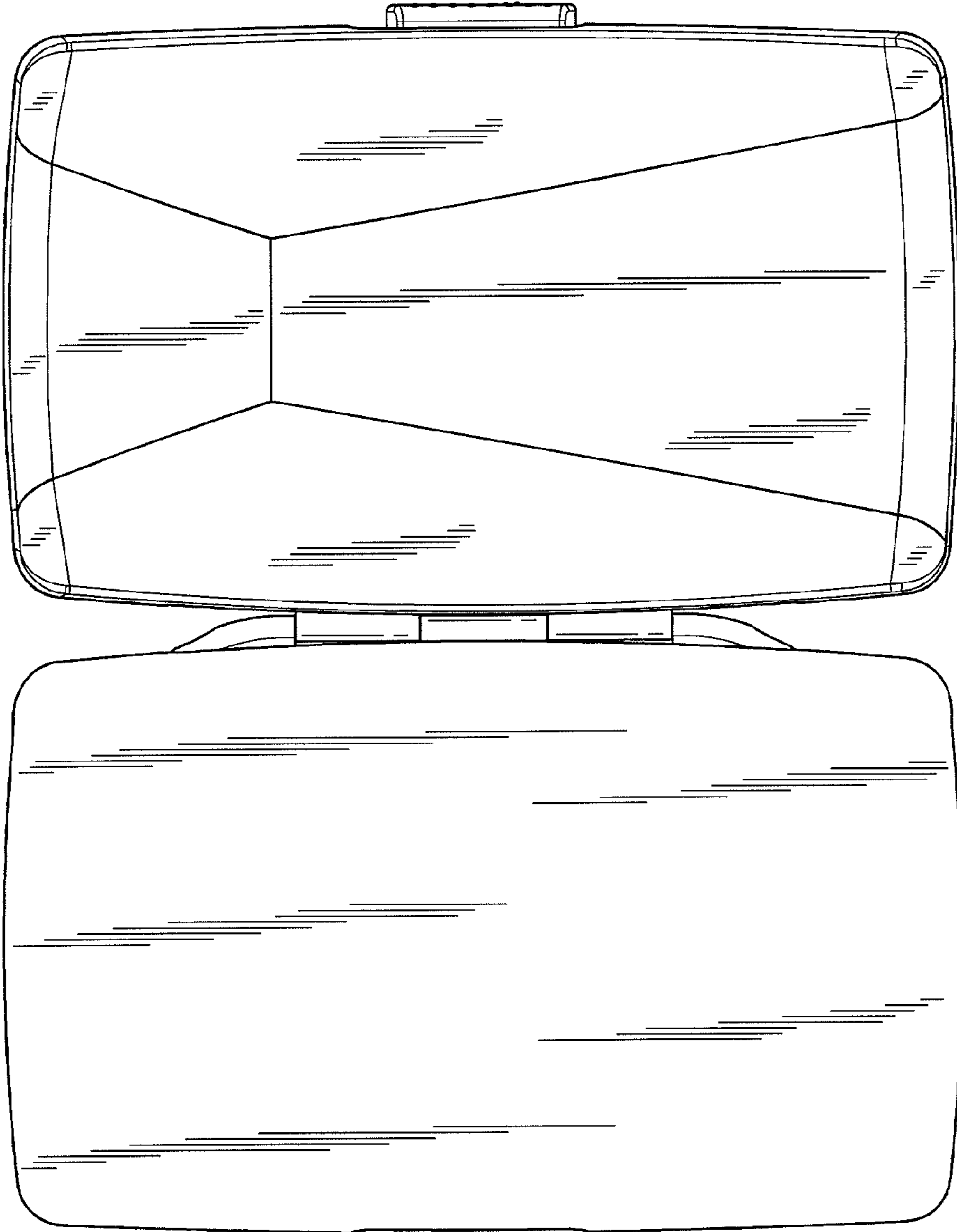


FIG. 7

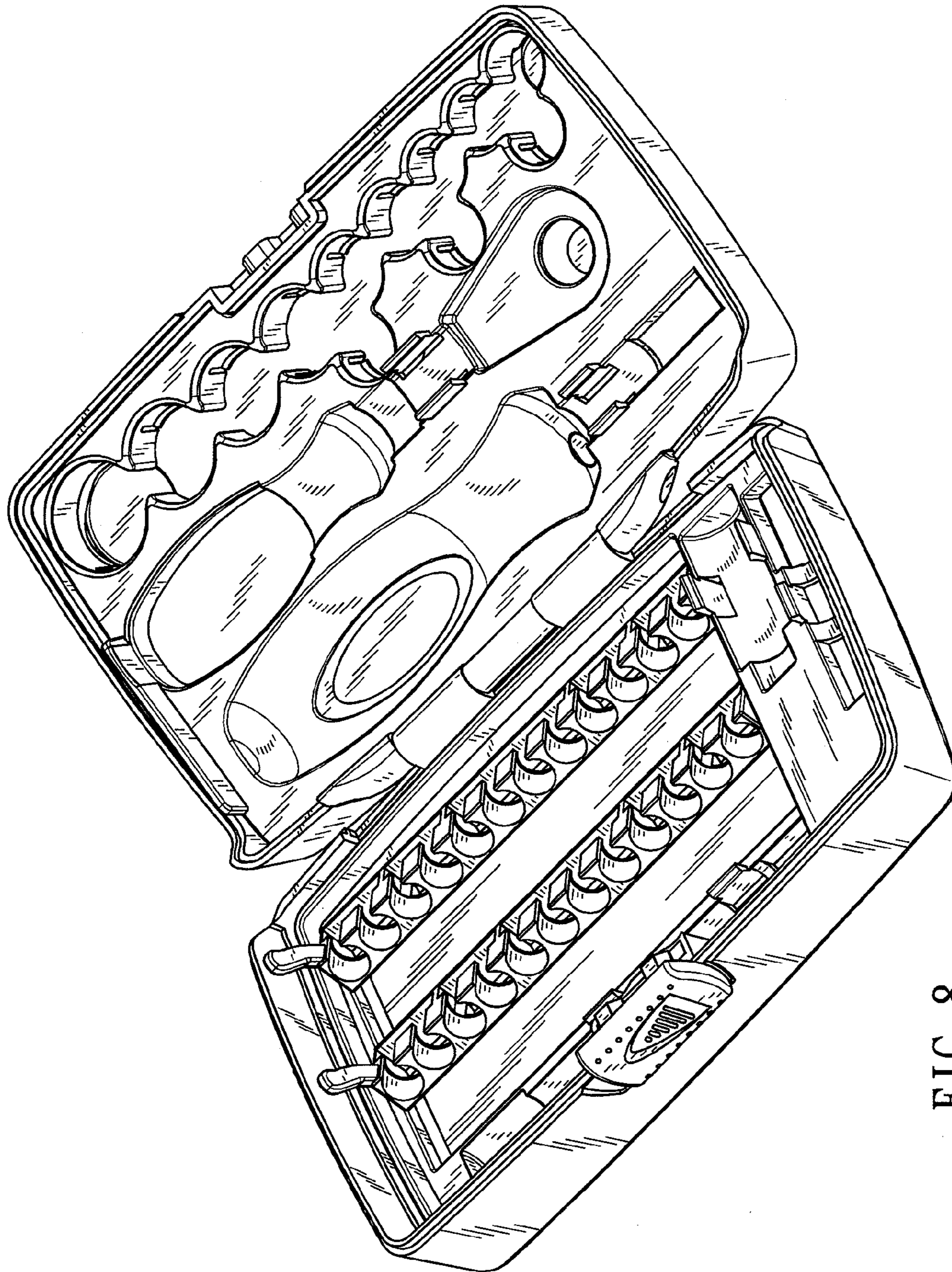


FIG. 8

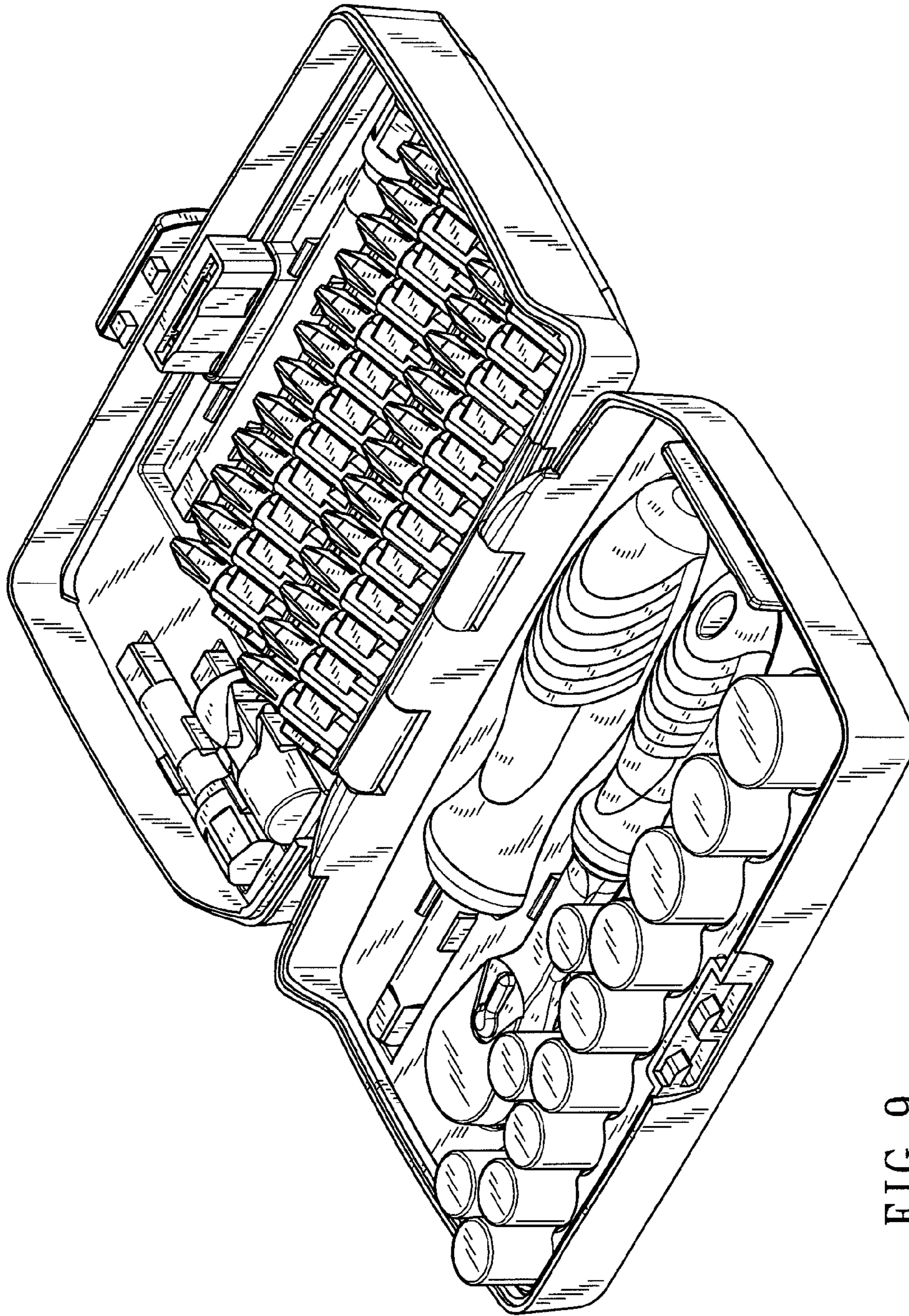


FIG. 9