



US00D702433S

(12) **United States Design Patent**
Romley

(10) **Patent No.:** **US D702,433 S**

(45) **Date of Patent:** **** Apr. 15, 2014**

(54) **FLASK**

(71) Applicant: **Michael Romley**, Phoenix, AZ (US)

(72) Inventor: **Michael Romley**, Phoenix, AZ (US)

(**) Term: **14 Years**

(21) Appl. No.: **29/469,304**

(22) Filed: **Oct. 9, 2013**

(51) **LOC (10) Cl.** **09-02**

(52) **U.S. Cl.**
USPC **D3/202**

(58) **Field of Classification Search**
USPC D3/202; D9/443, 521–523, 532, 554,
D9/571–572, 574–575, 611, 667, 694,
D9/763; 224/148.7, 148.4, 673, 679;
401/130

See application file for complete search history.

(56) **References Cited**

U.S. PATENT DOCUMENTS

2,799,882	A	*	7/1957	Falk	401/130
3,843,032	A	*	10/1974	Moran et al.	224/148.7
D438,096	S	*	2/2001	Lehnert	D9/694
D488,919	S	*	4/2004	Hurlbut	D3/202
D521,230	S	*	5/2006	Linz et al.	D3/202
D533,185	S	*	12/2006	Ishida et al.	D3/202

D602,787	S	*	10/2009	Gaultier	D9/572
D604,165	S	*	11/2009	Gilbert	D9/528
D645,358	S	*	9/2011	de Monclin	D9/611
D653,847	S	*	2/2012	Seals	D3/202

* cited by examiner

Primary Examiner — Catheri Oliver-Garcia

(74) *Attorney, Agent, or Firm* — Venable, Campillo, Logan & Meaney, P.C.

(57) **CLAIM**

The ornamental design for a flask, as shown and described.

DESCRIPTION

FIG. 1 is a top front perspective view of a flask embodying the new design;

FIG. 2 is a front view of the flask of FIG. 1;

FIG. 3 is a rear view of the flask of FIG. 1;

FIG. 4 is a left side view of the flask of FIG. 1;

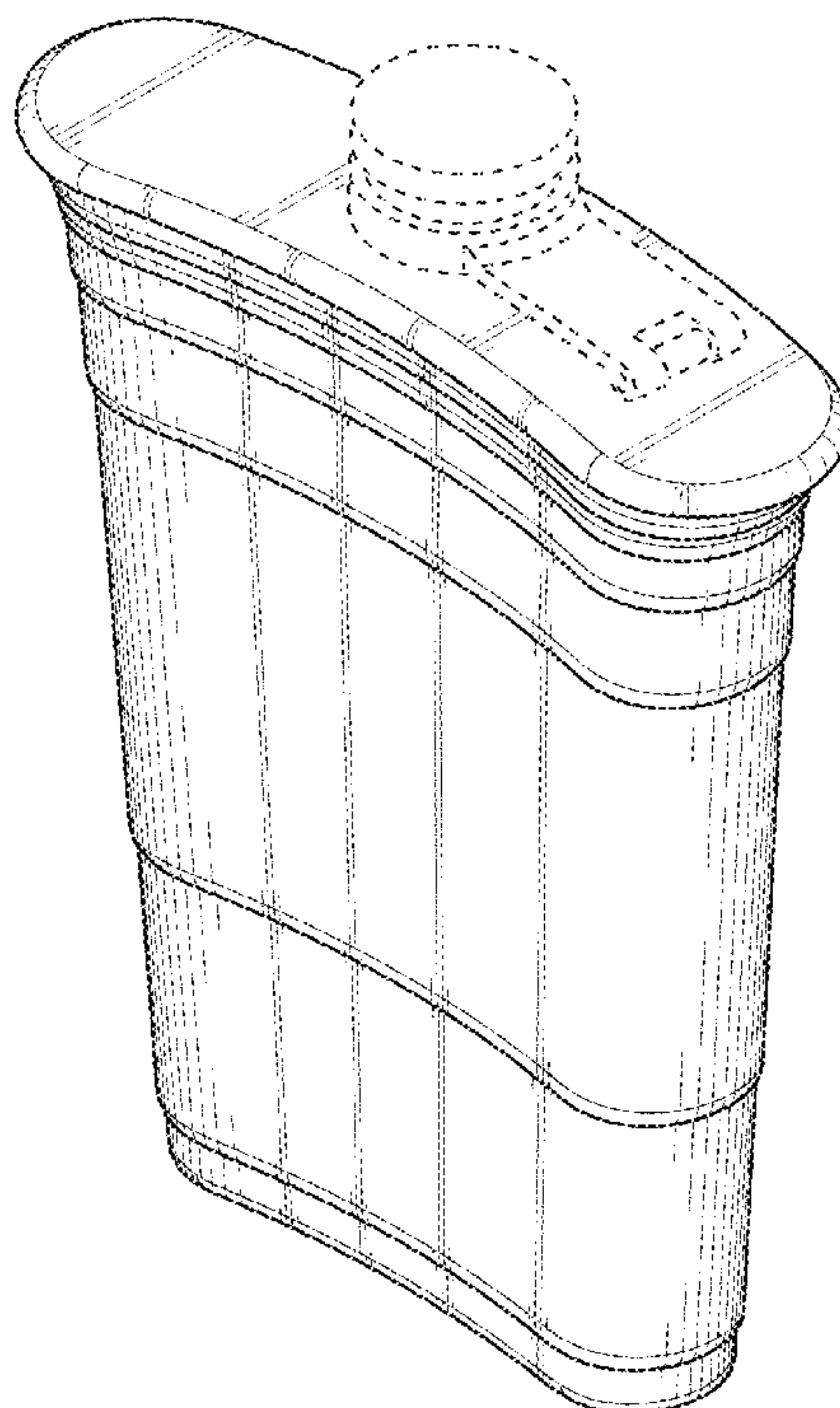
FIG. 5 is a right side view of the flask of FIG. 1;

FIG. 6 is a top view of the flask of FIG. 1; and,

FIG. 7 is bottom view of the flask of FIG. 1.

A cap assembly for the flask is shown in broken lines for illustrative purposes only and forms no part of the claimed design.

1 Claim, 5 Drawing Sheets



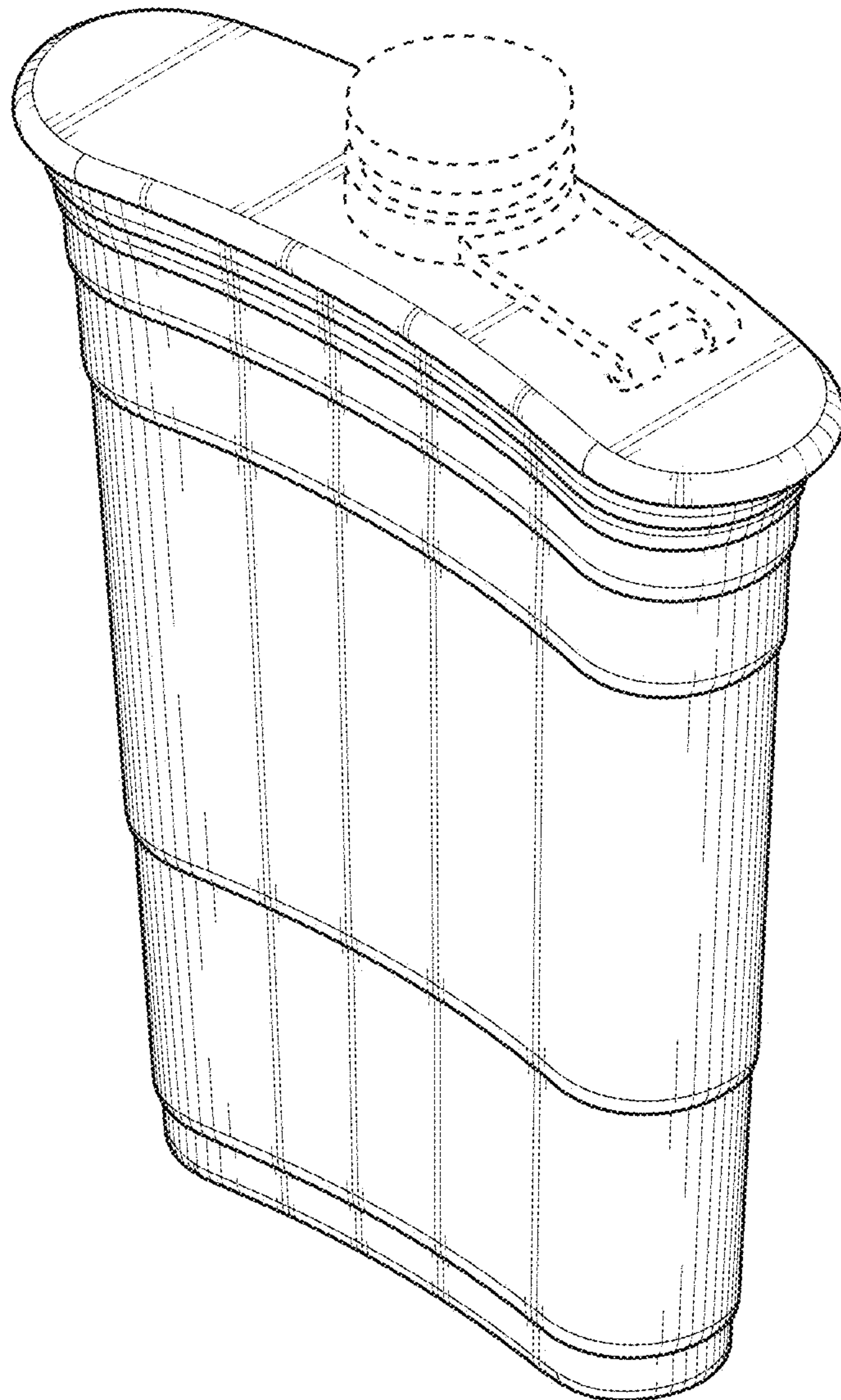


FIG. 1

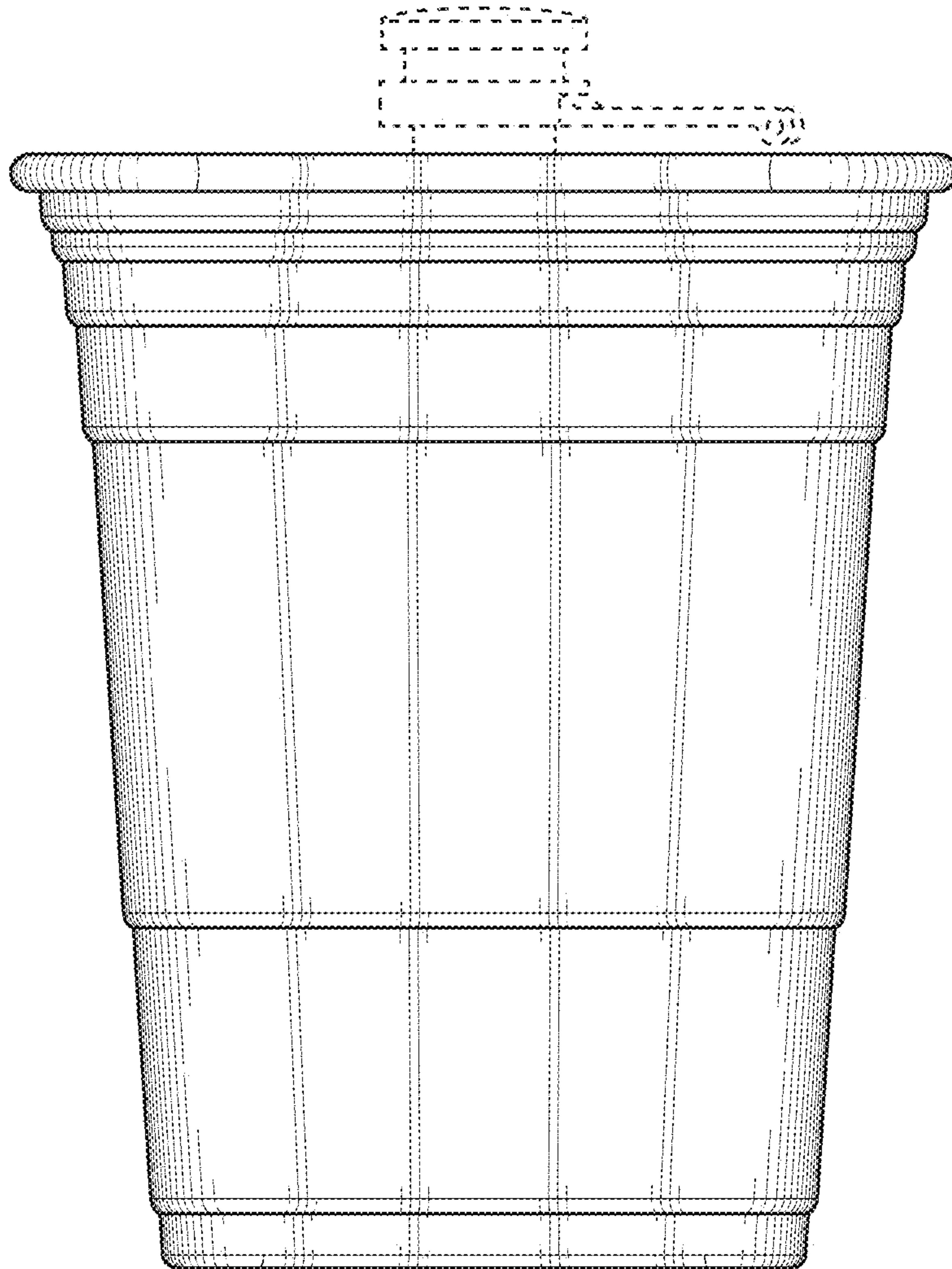


FIG. 2

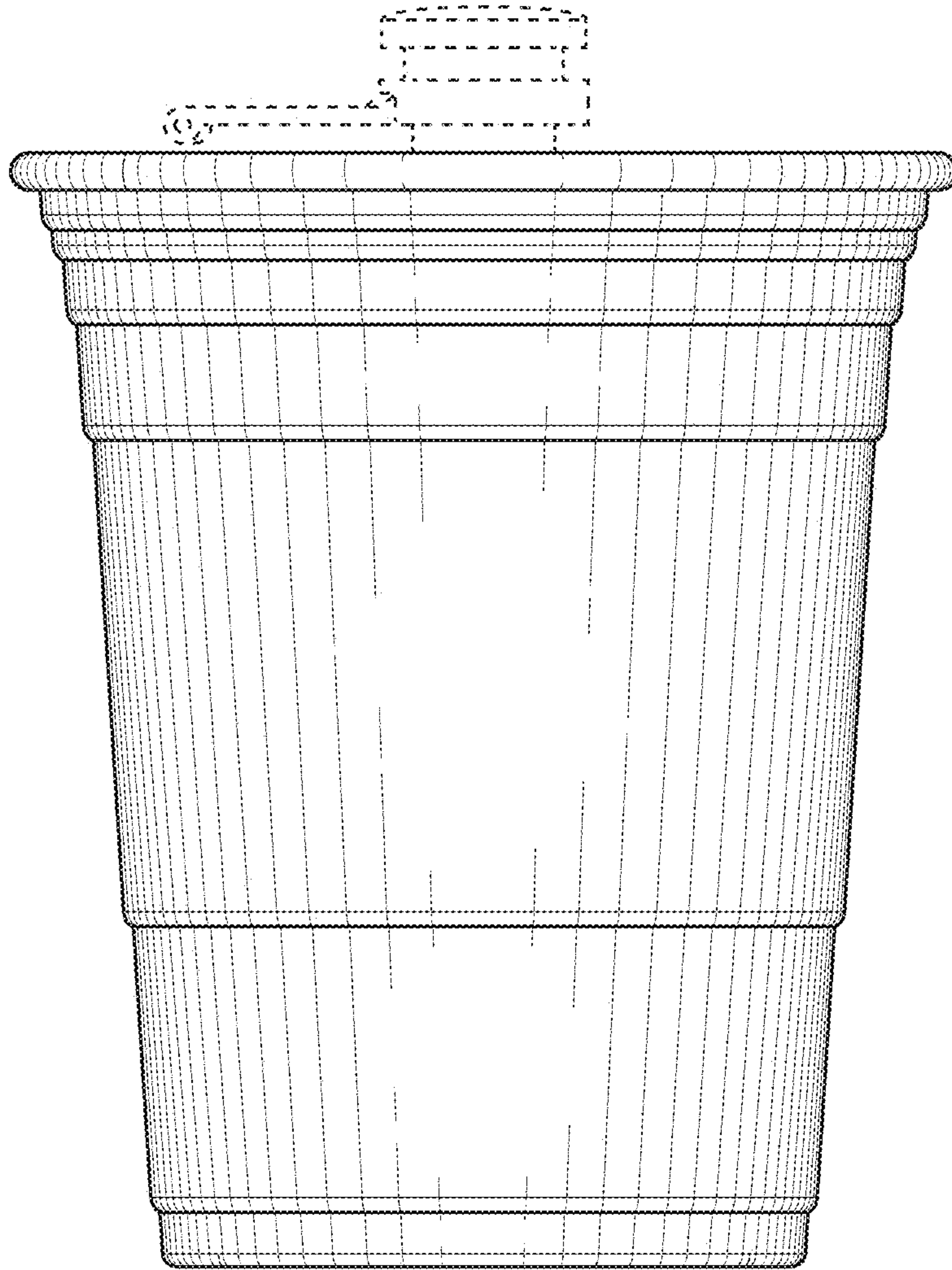


FIG. 3

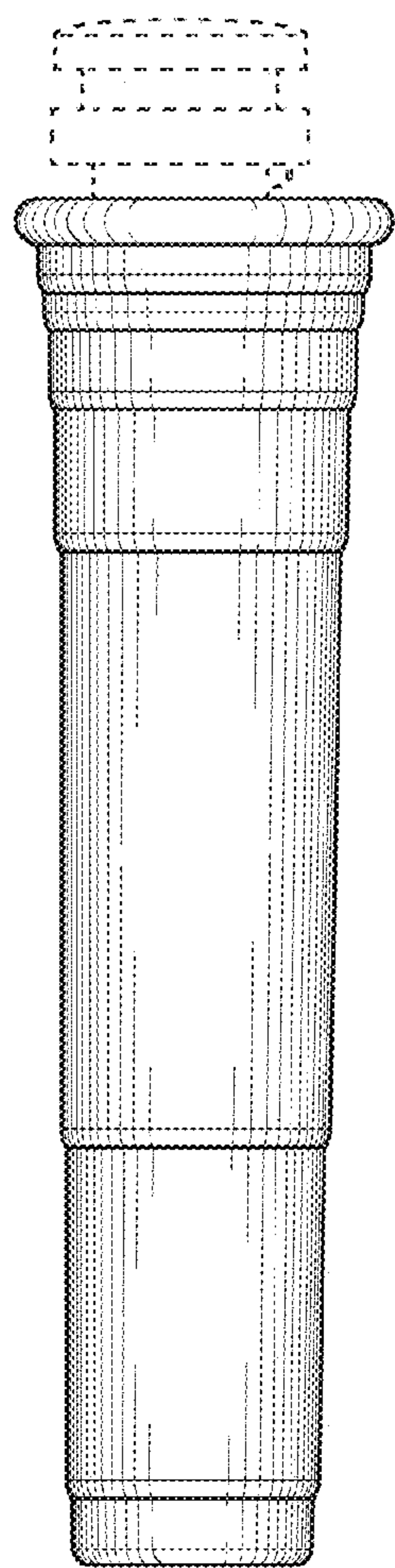


FIG. 4

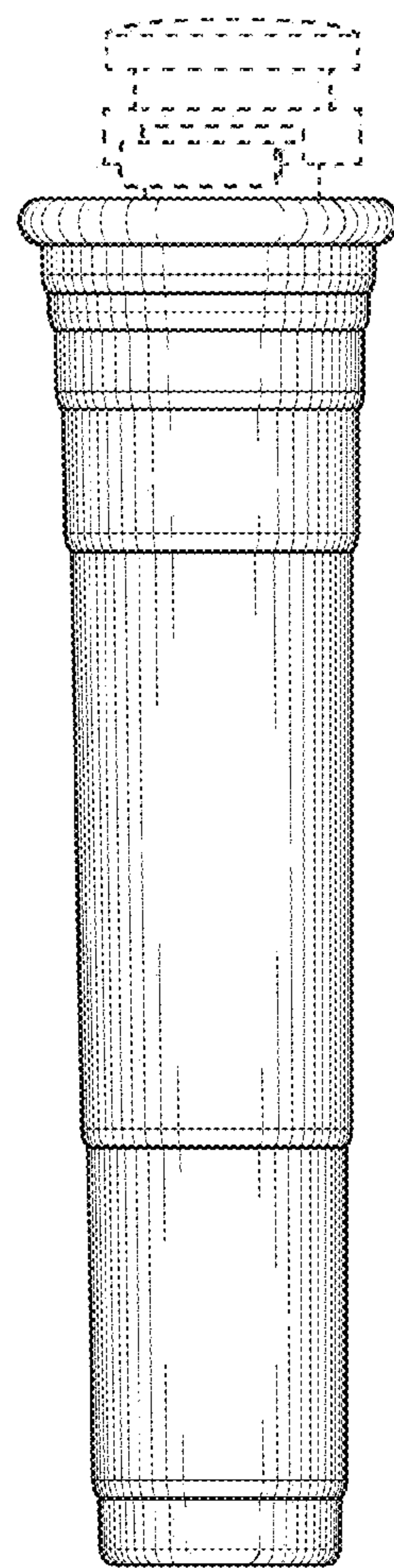


FIG. 5

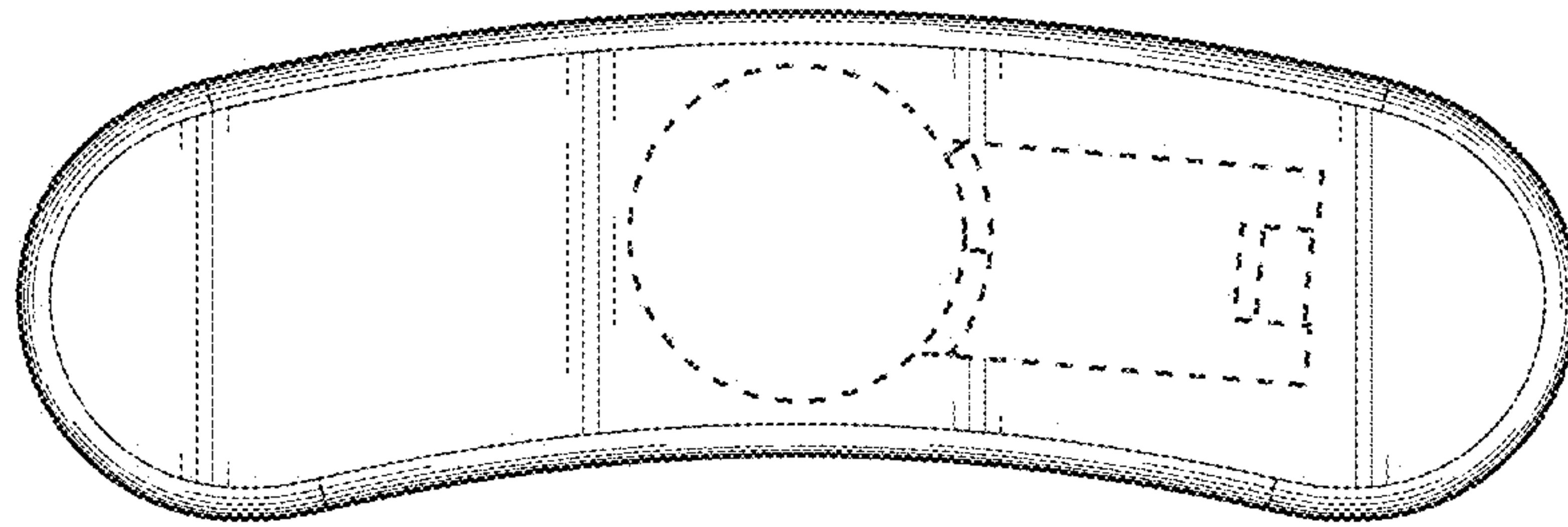


FIG. 6

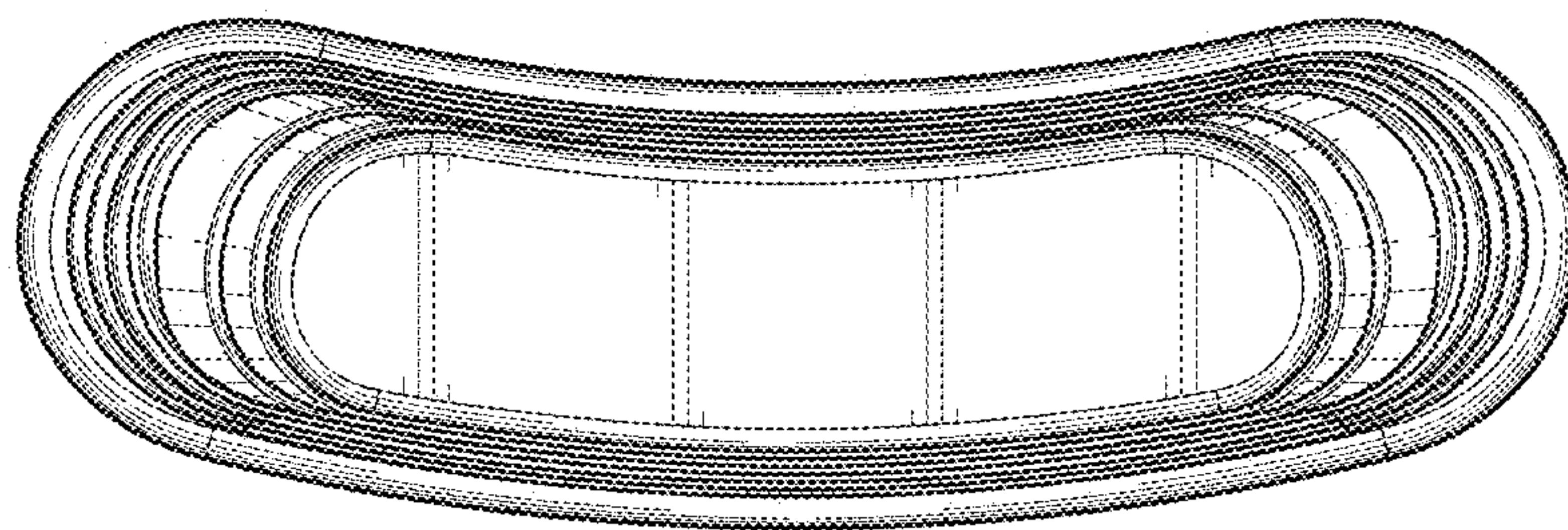


FIG. 7