

US00D702421S

(12) **United States Design Patent**  
**Bartelt**

(10) **Patent No.:** **US D702,421 S**

(45) **Date of Patent:** **\*\* Apr. 15, 2014**

(54) **HAT**

(71) Applicant: **Stephanie Bartelt**, Portland, OR (US)

(72) Inventor: **Stephanie Bartelt**, Portland, OR (US)

(\*\*) Term: **14 Years**

(21) Appl. No.: **29/446,438**

(22) Filed: **Feb. 22, 2013**

(51) **LOC (10) Cl.** ..... **02-03**

(52) **U.S. Cl.**  
USPC ..... **D2/882**

(58) **Field of Classification Search**  
USPC ..... D2/865, 866, 871, 872, 875, 876, 877,  
D2/878, 879, 880, 881, 882, 883, 884, 886,  
D2/887, 888, 891, 892; 2/171, 171.5,  
2/171.6, 171.7, 171.8, 175.1, 175.5, 183,  
2/195.1, 195.2, 204, 207, 209.12, 209.13,  
2/209.3, 209.4, 209.5, 209.7

See application file for complete search history.

(56) **References Cited**

**U.S. PATENT DOCUMENTS**

317,677	A	*	5/1885	Sawyer	.....	2/175.1
D93,212	S	*	9/1934	Goldsmith	.....	D2/882
D115,482	S	*	6/1939	Royak	.....	D2/886
D136,525	S	*	10/1943	Harpignies	.....	D2/877
D347,723	S	*	6/1994	Navis	.....	D2/871
D352,596	S	*	11/1994	Williams, Jr.	.....	D2/887
D390,340	S	*	2/1998	Najim	.....	D2/866

D524,517	S	*	7/2006	Javits, Jr.	.....	D2/875
D525,414	S	*	7/2006	Yan	.....	D2/876
D529,262	S	*	10/2006	Yan	.....	D2/876
2005/0108810	A1	*	5/2005	Yan	.....	2/195.4

\* cited by examiner

*Primary Examiner* — Karen E Eldridge Powers

(74) *Attorney, Agent, or Firm* — Lane Powell PC

(57) **CLAIM**

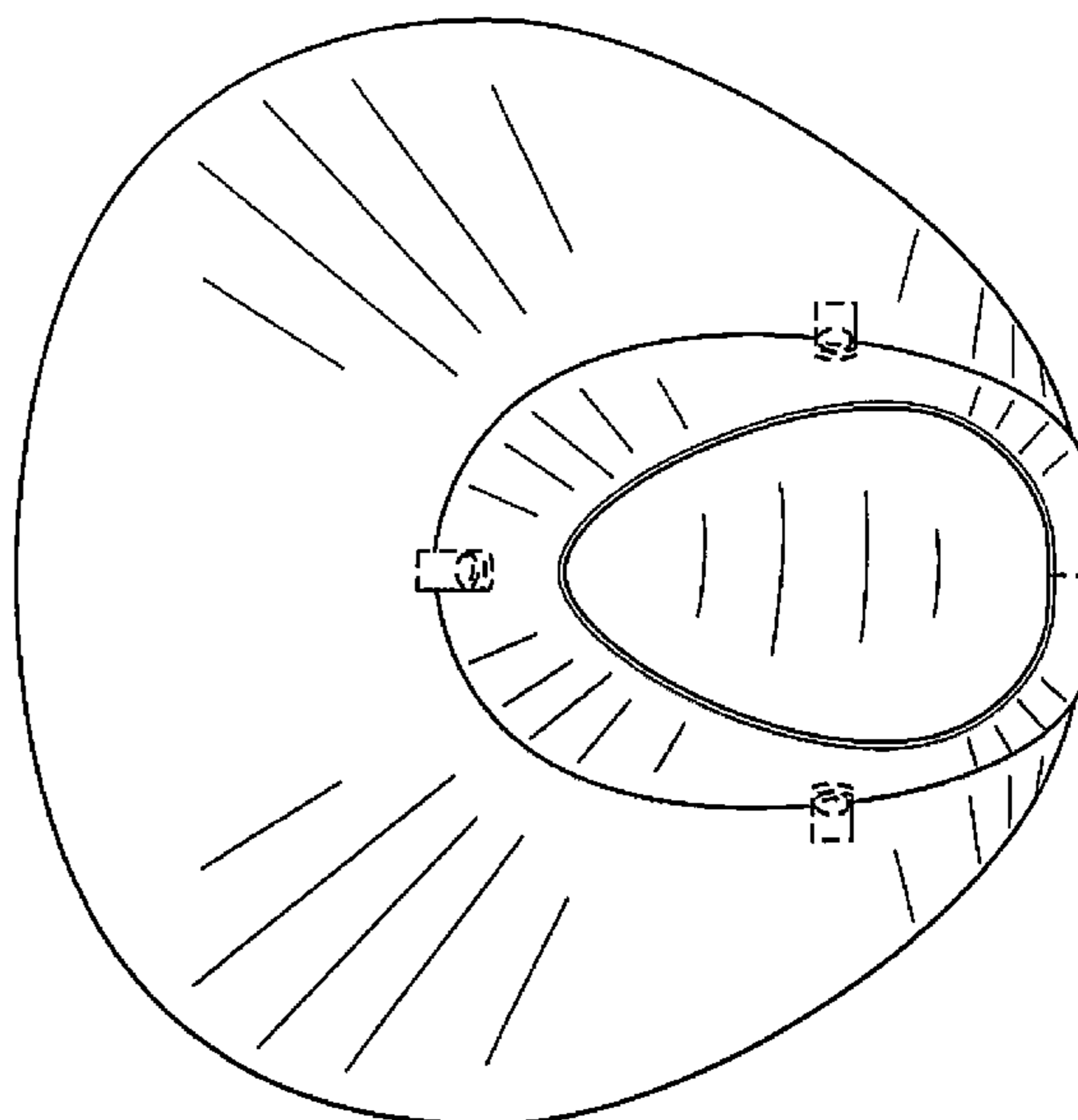
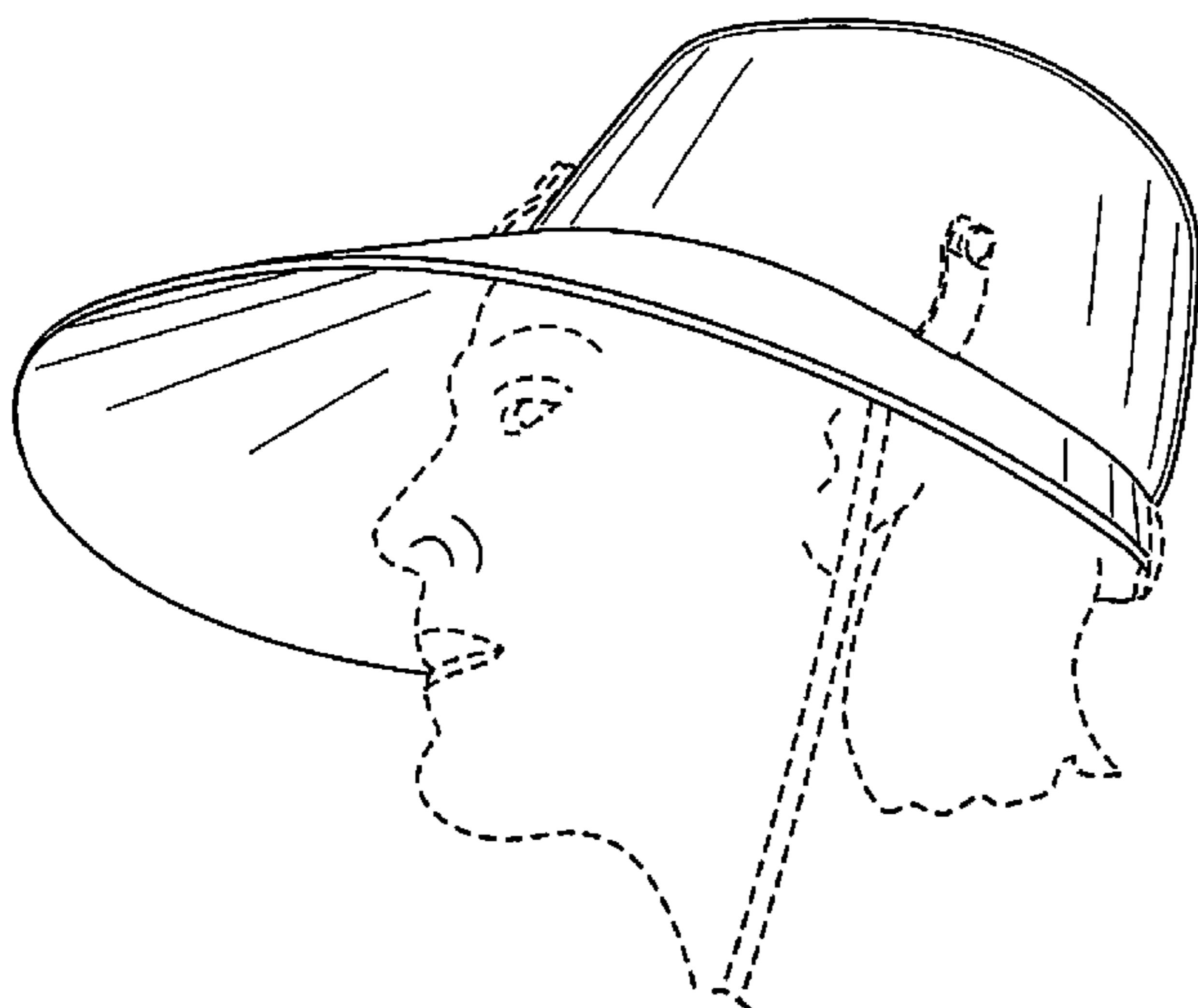
The ornamental design for a hat, as shown and described.

**DESCRIPTION**

FIG. 1 is a front, top isometric view of the hat.  
 FIG. 2 is a lower, side isometric view of the hat of FIG. 1 showing possible wearing by a person shown in broken lines, said person forming no part of the claimed design.  
 FIG. 3 is a right side view thereof, the left side view being a mirror image of FIG. 3.  
 FIG. 4 is a front, plan view thereof.  
 FIG. 5 is a rear, plan view thereof.  
 FIG. 6 is a top, plan view of the hat of FIG. 1; and,  
 FIG. 7 is a bottom, plan view thereof.

Auxiliary item attachment structures, seams, the internal sweatband, neck straps and the crown size adjustment structure shown in broken lines in the figures are unclaimed features of the article in which the claimed design is embodied.

**1 Claim, 4 Drawing Sheets**



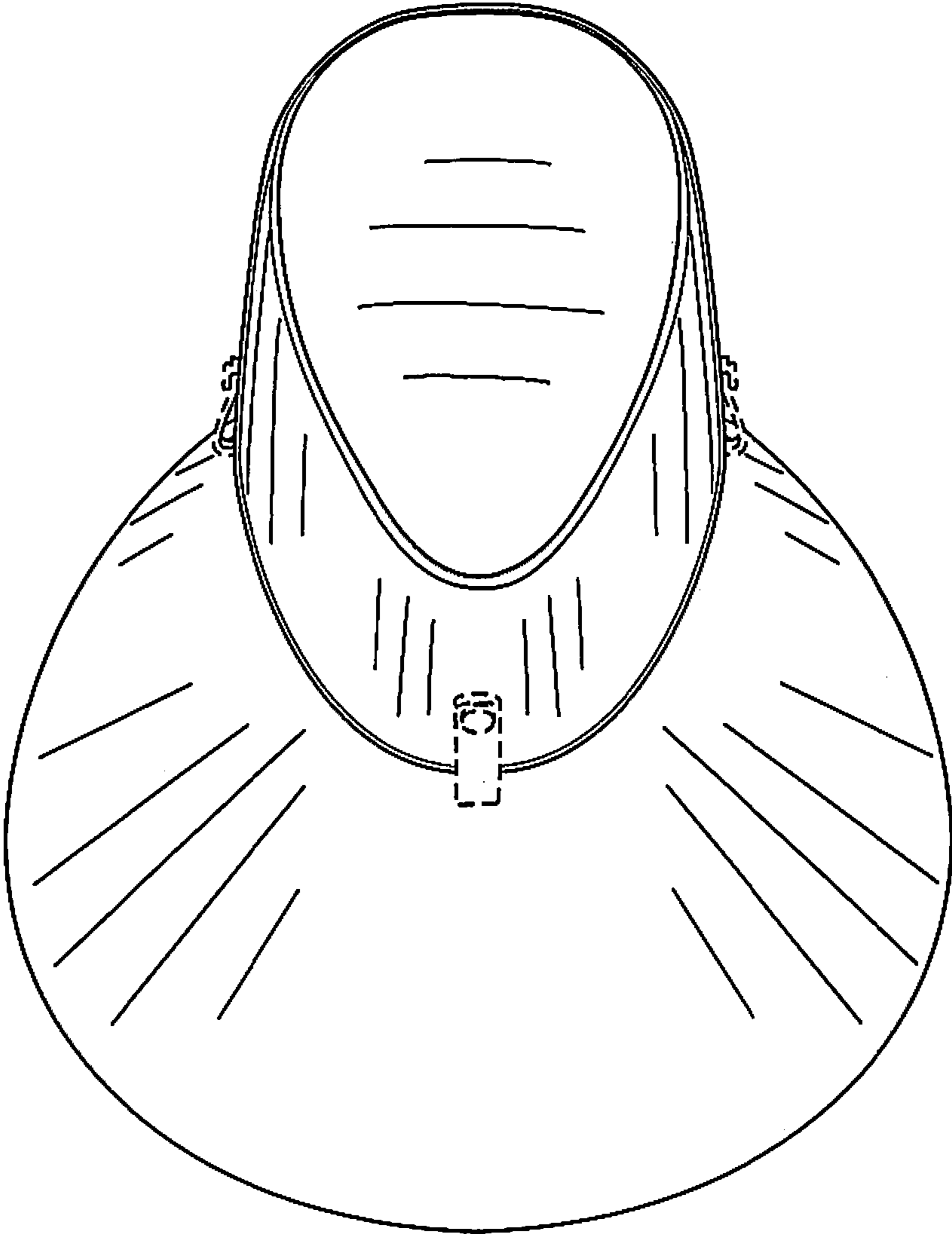


FIG. 1

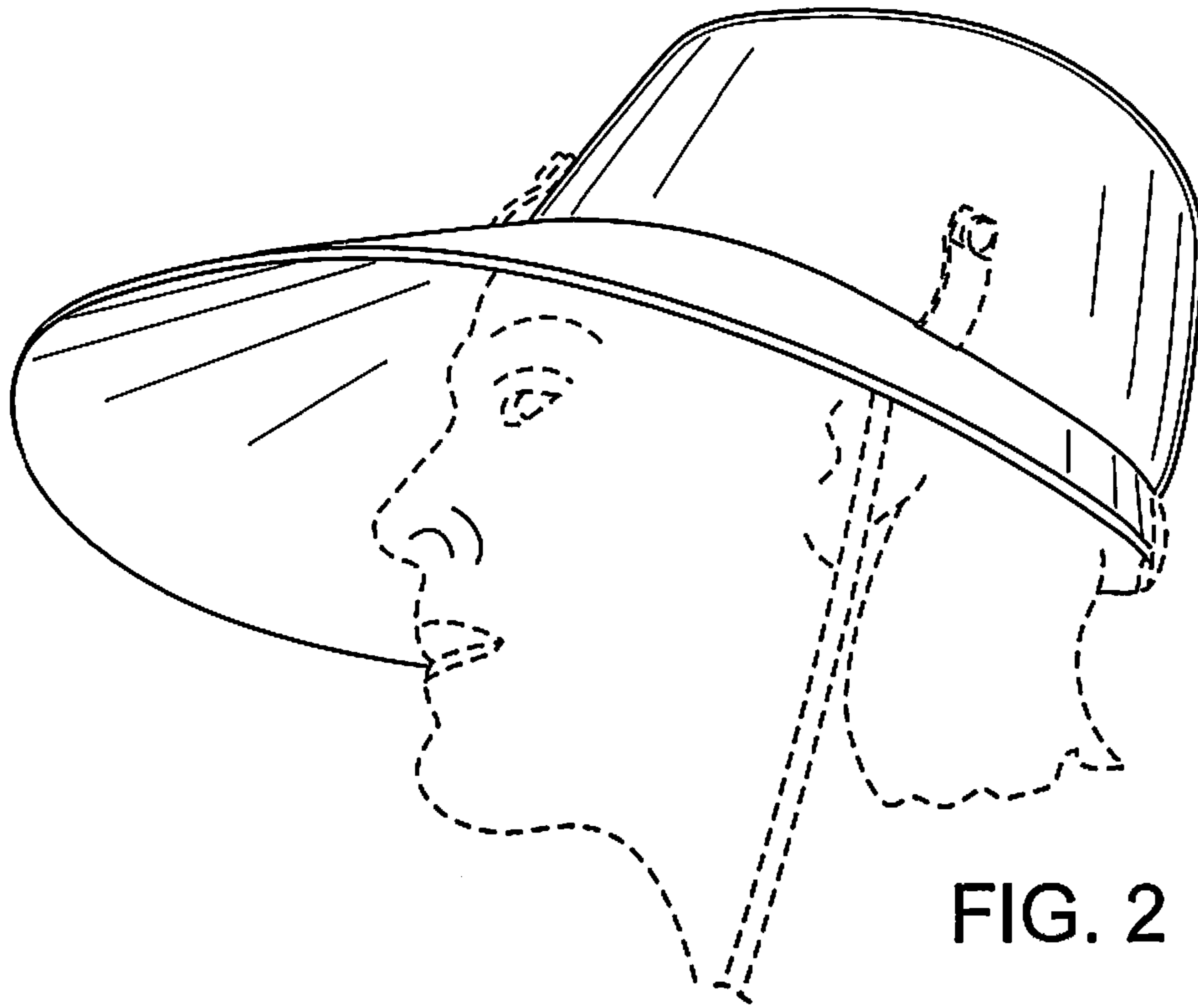


FIG. 2

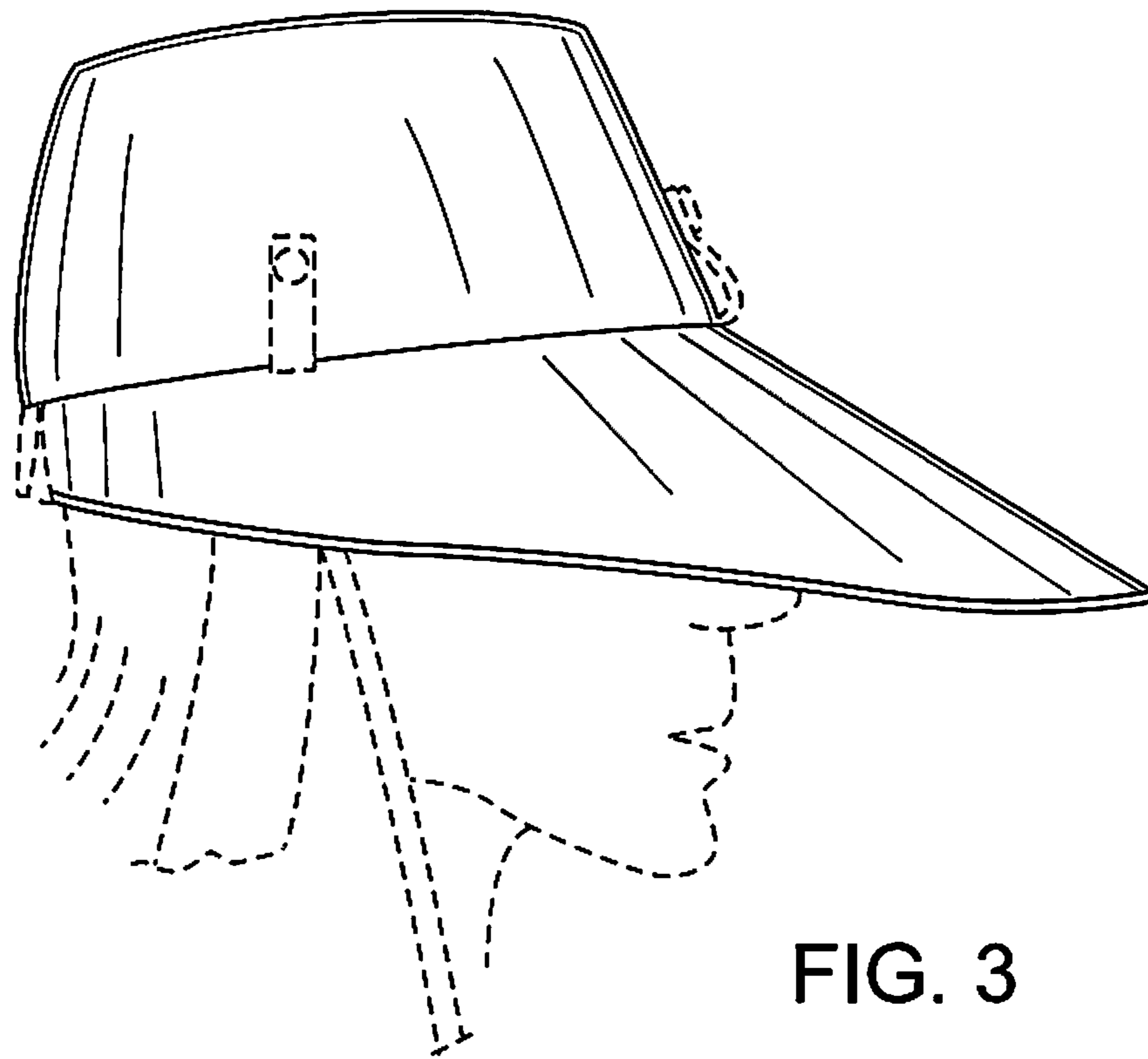


FIG. 3

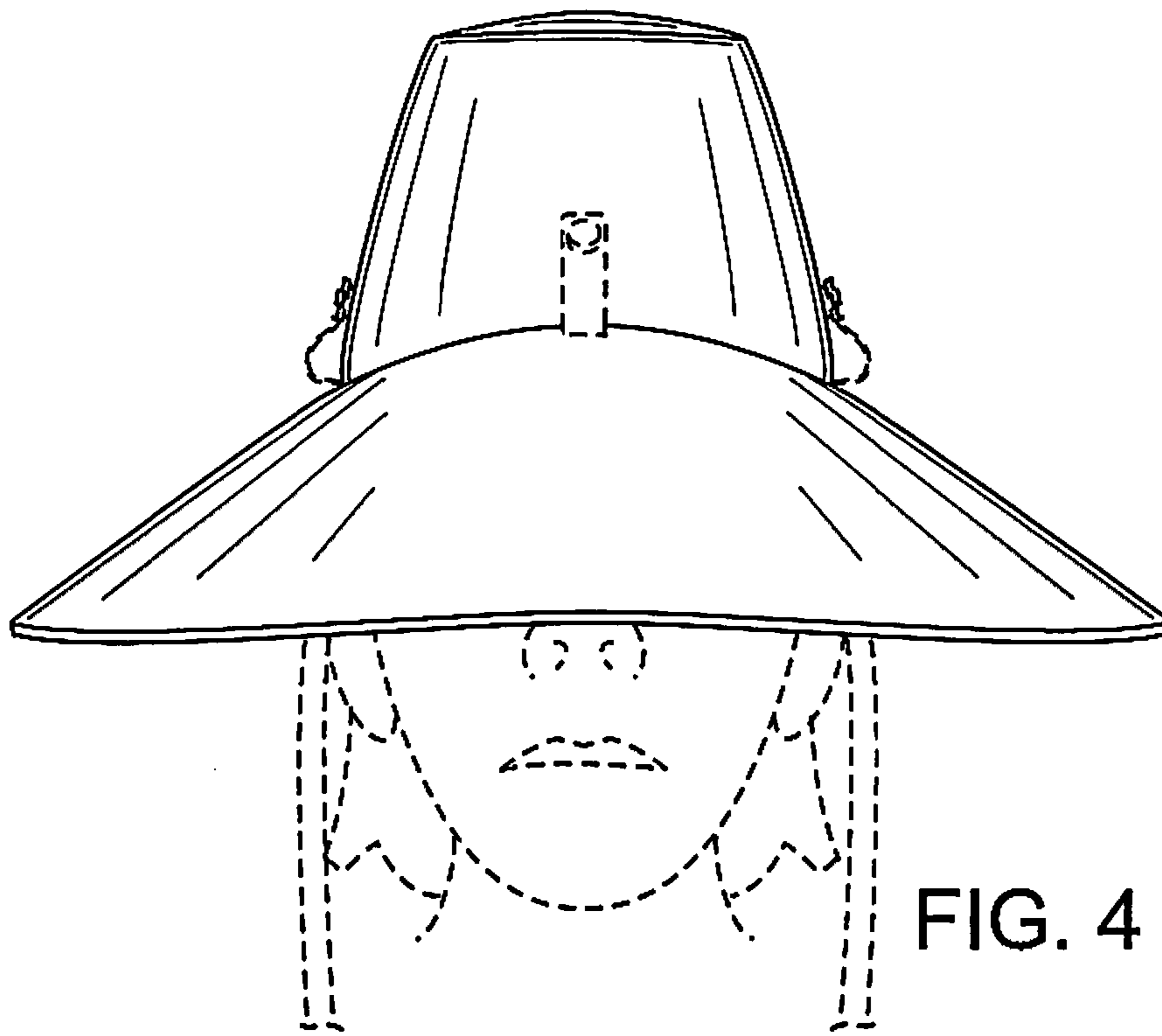


FIG. 4

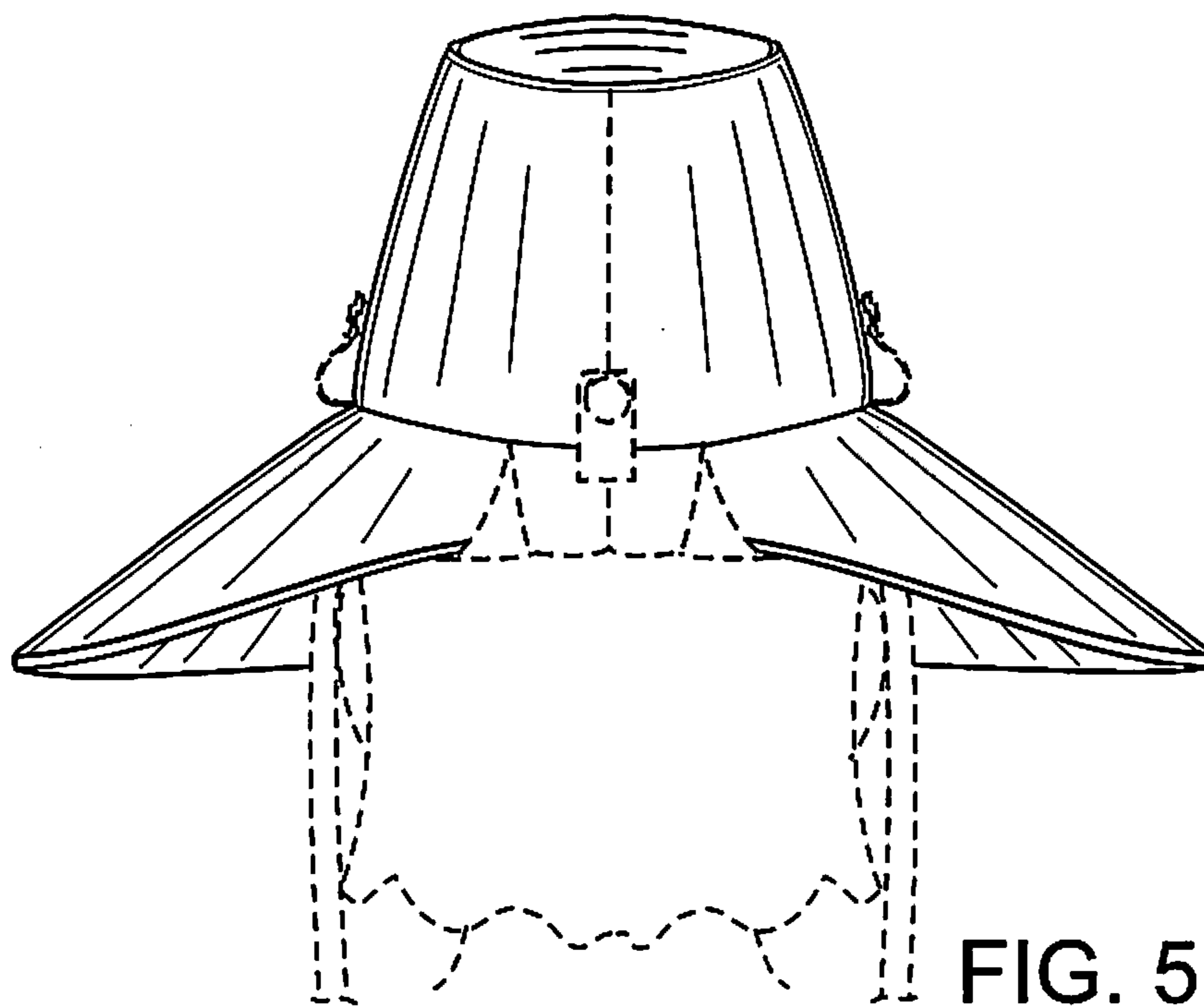


FIG. 5

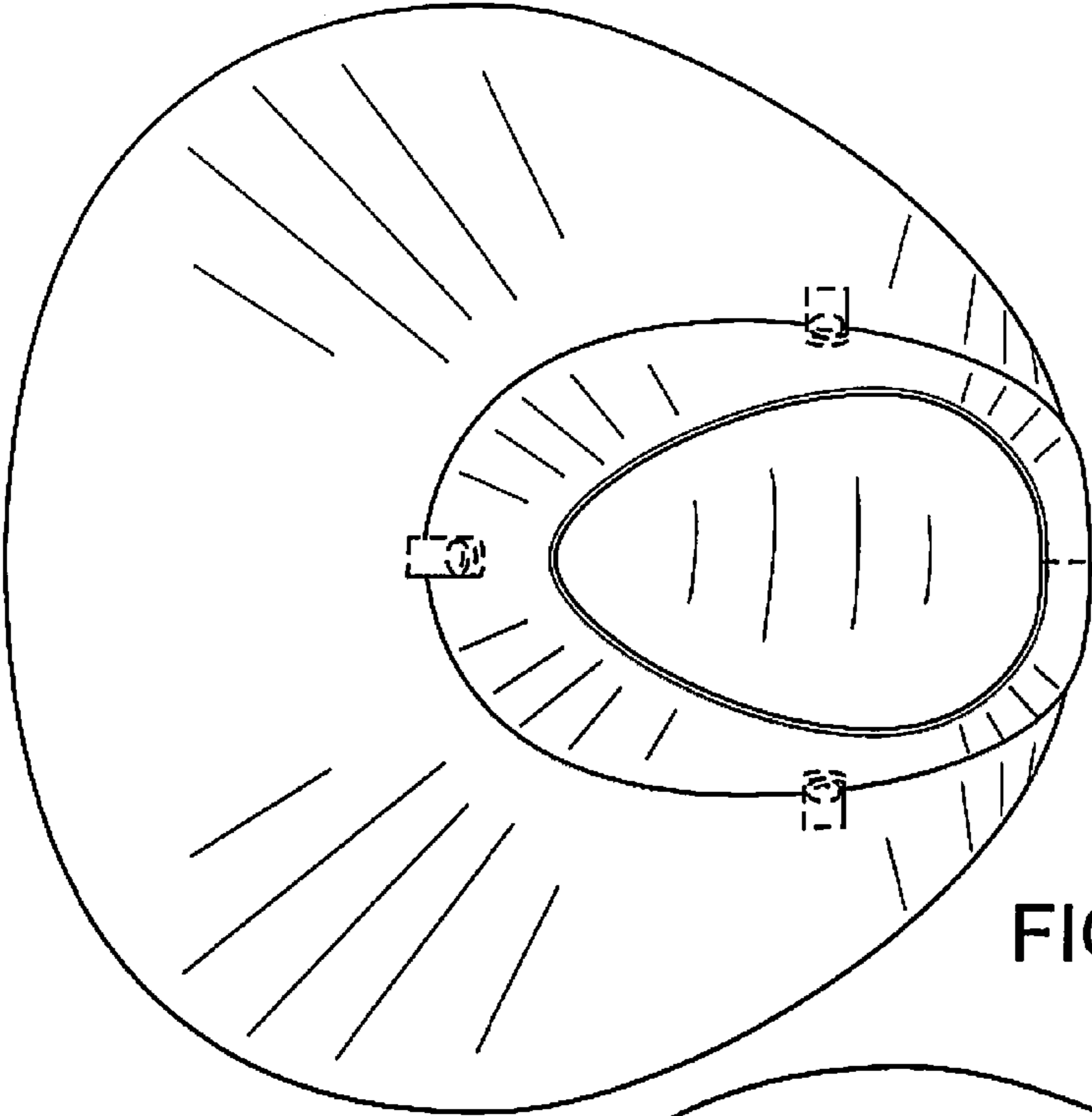


FIG. 6

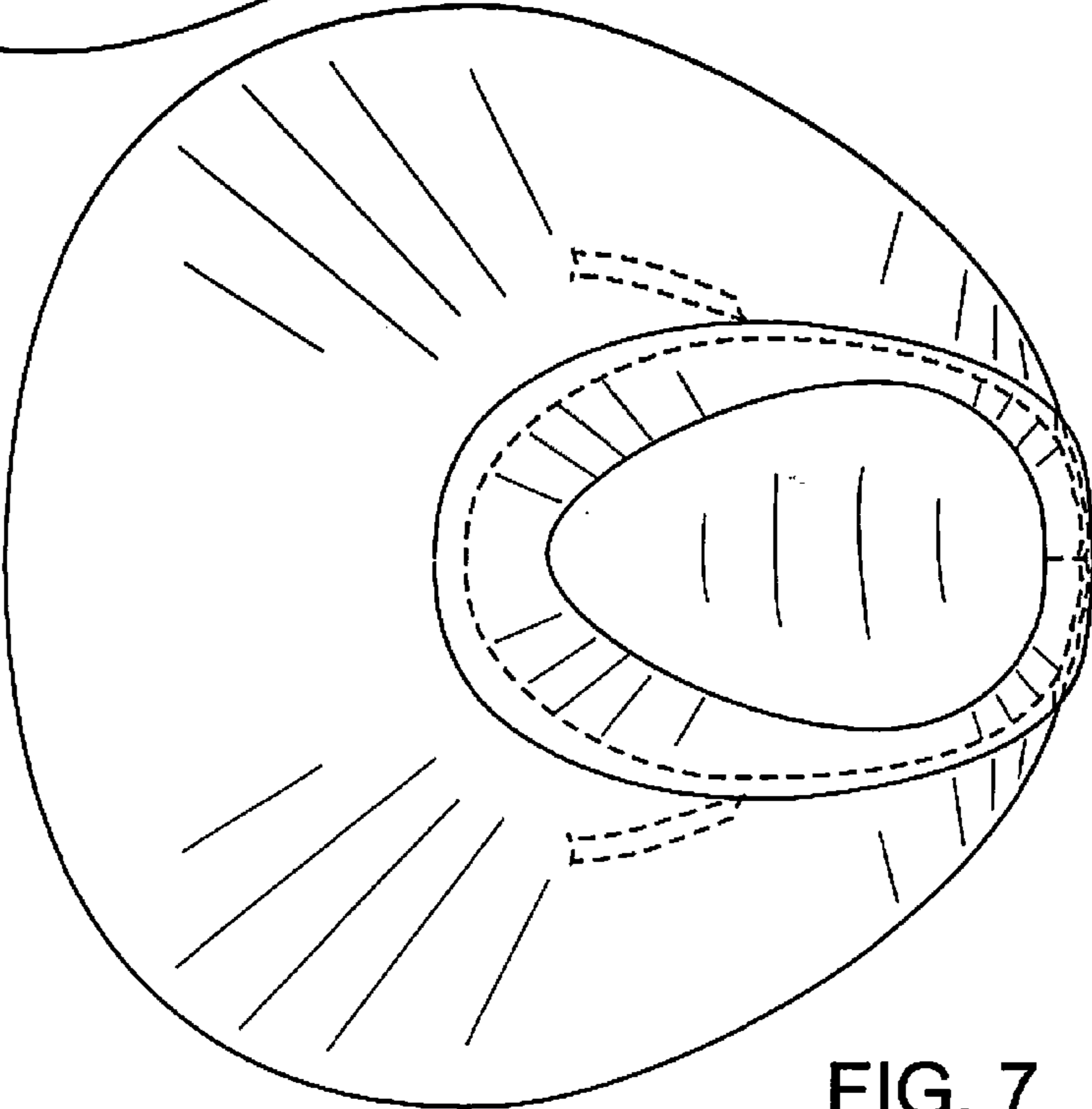


FIG. 7