



US00D702420S

(12) **United States Design Patent**  
**Adler et al.**

(10) **Patent No.:** **US D702,420 S**  
(45) **Date of Patent:** **\*\* Apr. 15, 2014**

(54) **BABY BOW BIB**

FOREIGN PATENT DOCUMENTS

(71) Applicants: **Daniel Adler**, San Jose, CA (US); **Claire Adler**, San Jose, CA (US)

JP 2010261140 A \* 11/2010

\* cited by examiner

(72) Inventors: **Daniel Adler**, San Jose, CA (US); **Claire Adler**, San Jose, CA (US)

*Primary Examiner* — Rashida Johnson

(\*\*) Term: **14 Years**

(57) **CLAIM**

We claim the ornamental design for a baby bow bib, as shown and described.

(21) Appl. No.: **29/459,247**

**DESCRIPTION**

(22) Filed: **Jun. 27, 2013**

(51) **LOC (10) Cl.** ..... **02-02**

(52) **U.S. Cl.**  
USPC ..... **D2/861**

(58) **Field of Classification Search**  
USPC ..... D2/860, 861, 864; 2/46, 48-51  
See application file for complete search history.

FIG. 1 is a front perspective view of a baby bow bib showing my new design as worn;  
FIG. 2 is a top front perspective view thereof showing the strap fastened to the bib in the first position;  
FIG. 3 is a top rear perspective view thereof;  
FIG. 4 is a front side view thereof;  
FIG. 5 is a rear side view thereof;  
FIG. 6 is right side view thereof;  
FIG. 7 is a left side view thereof;  
FIG. 8 is a top view thereof;  
FIG. 9 is a bottom view thereof; and,  
FIG. 10 is a top view thereof showing the strap fastened to the bib in the second position.

The broken lines in FIG. 1, showing portions of the human form, illustrate the design in use and form no part of the claimed design. The broken lines in FIGS. 2-6, on the surface of the bib, represent the portions of the design, which form no part of the claim.

(56) **References Cited**

U.S. PATENT DOCUMENTS

2,468,841	A *	5/1949	Siegel	2/463
2,640,991	A *	6/1953	Ernst	2/174
2,915,757	A *	12/1959	Sofio, Sr.	2/46
D398,736	S *	9/1998	Hamilton	D2/600
D405,938	S *	2/1999	Trombetta	D2/860
D505,247	S *	5/2005	Lennon	D2/862
D657,533	S *	4/2012	Kartzman	D2/861
D659,952	S *	5/2012	Verplank	D2/861
2008/0201815	A1 *	8/2008	Barclay	2/48

**1 Claim, 6 Drawing Sheets**

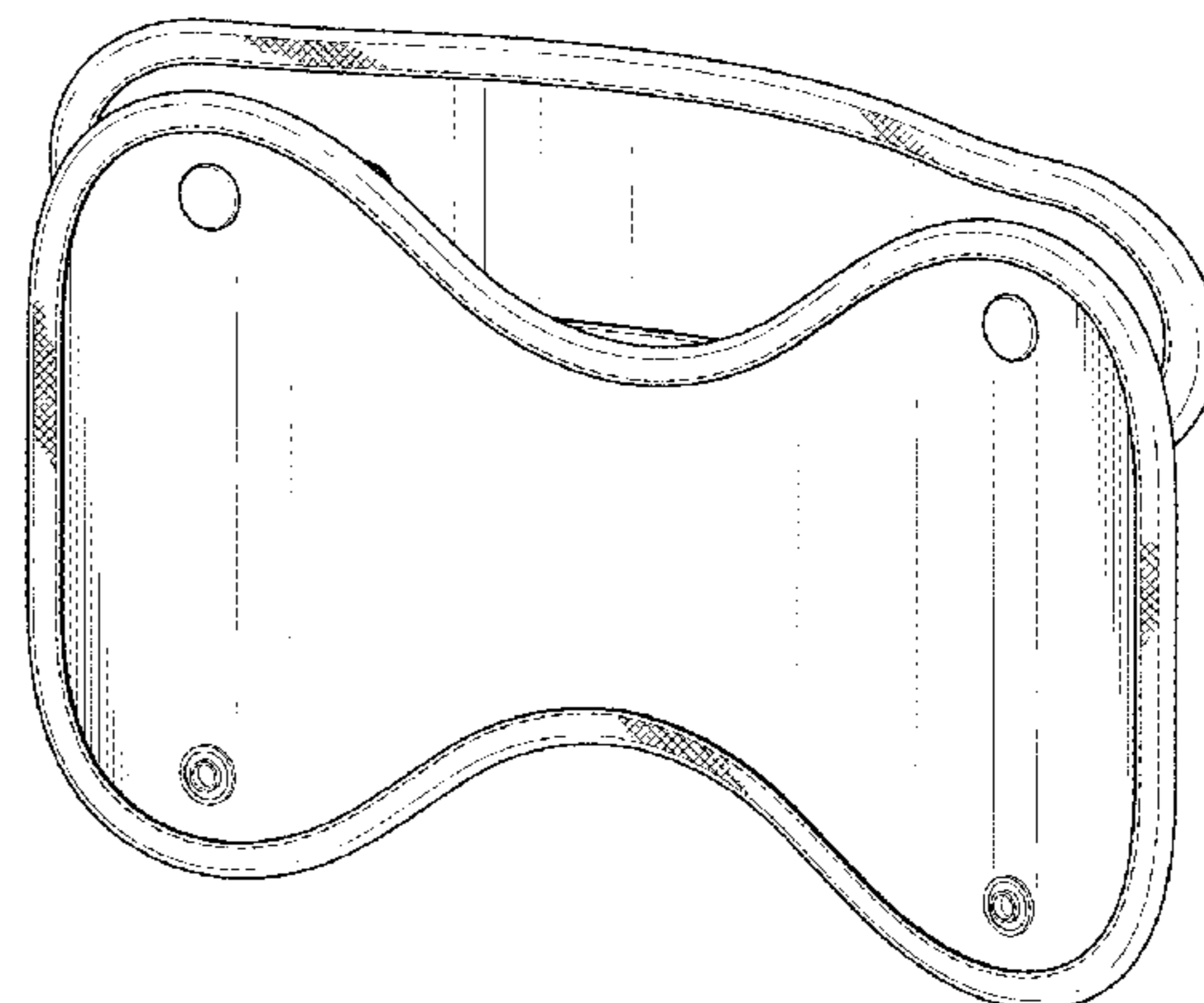




FIG. 1

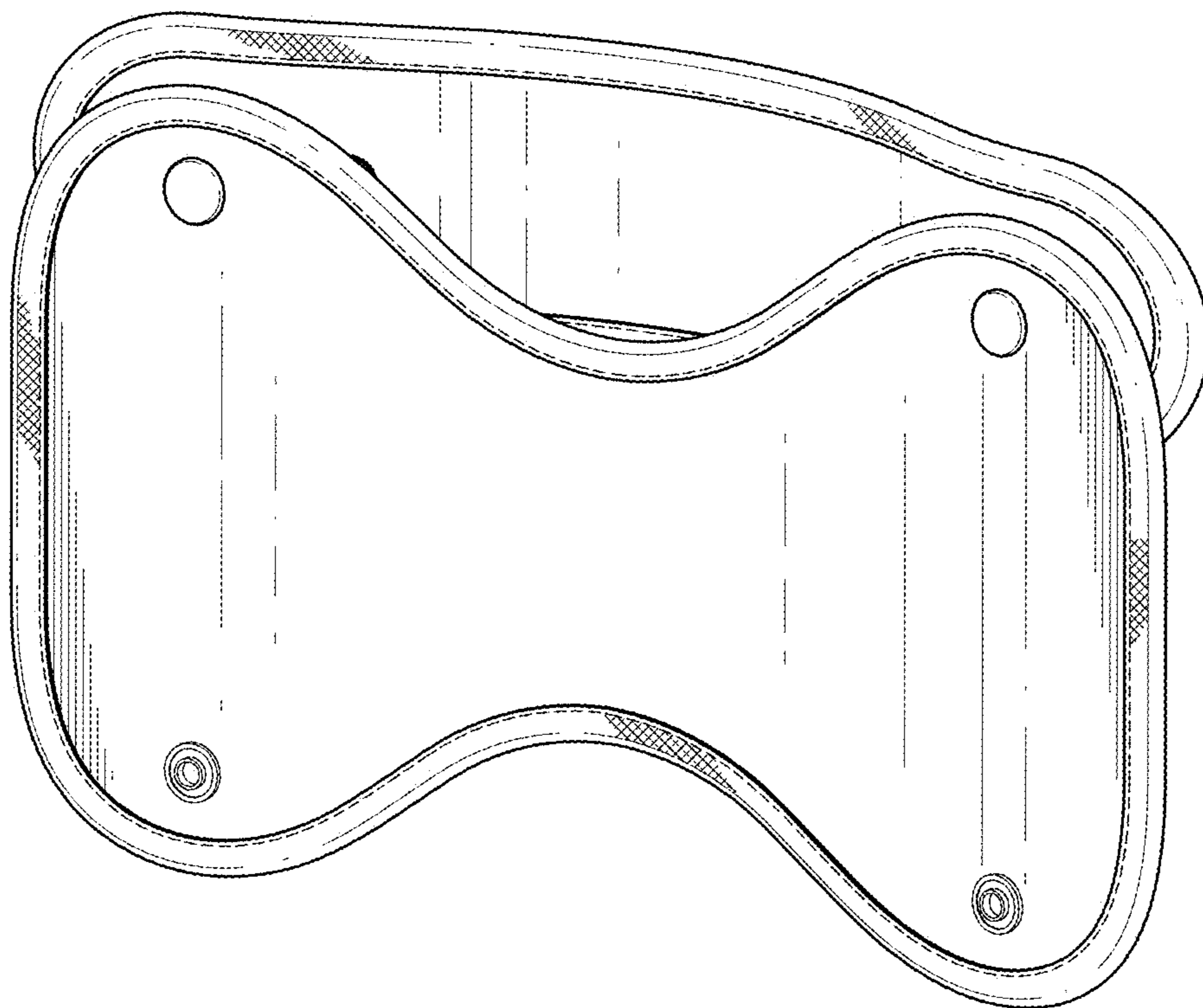


FIG. 2

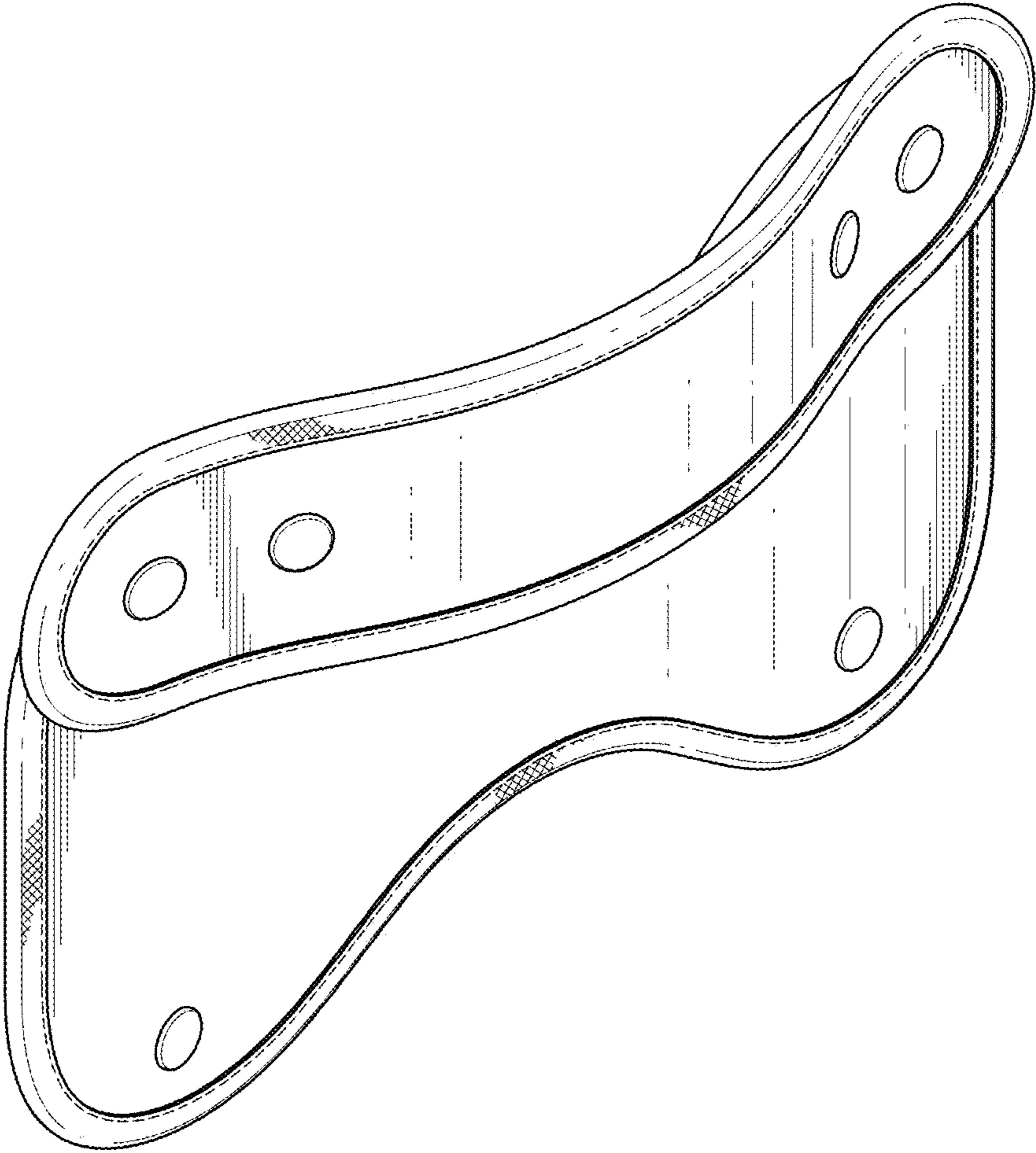


FIG. 3

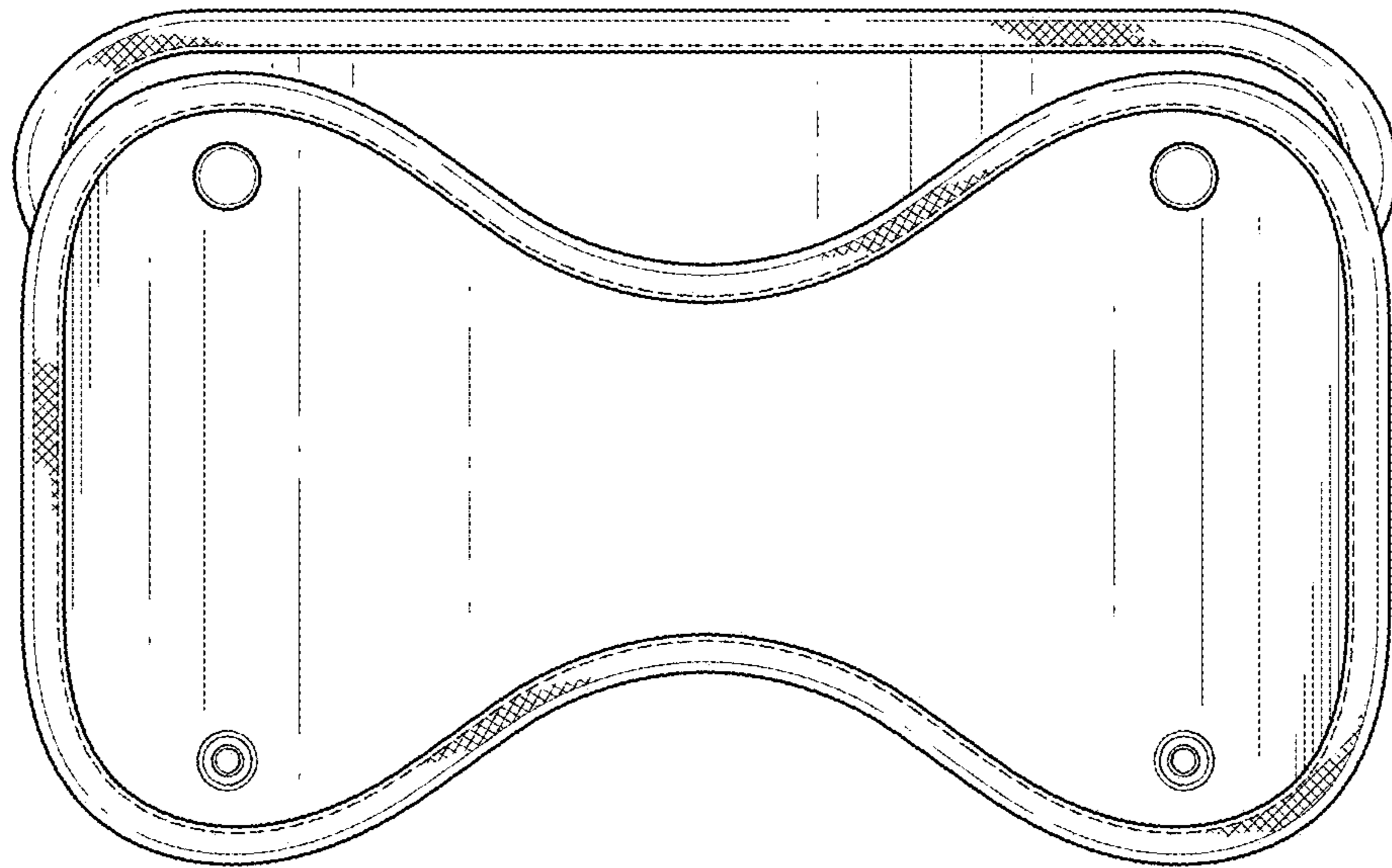


FIG. 4

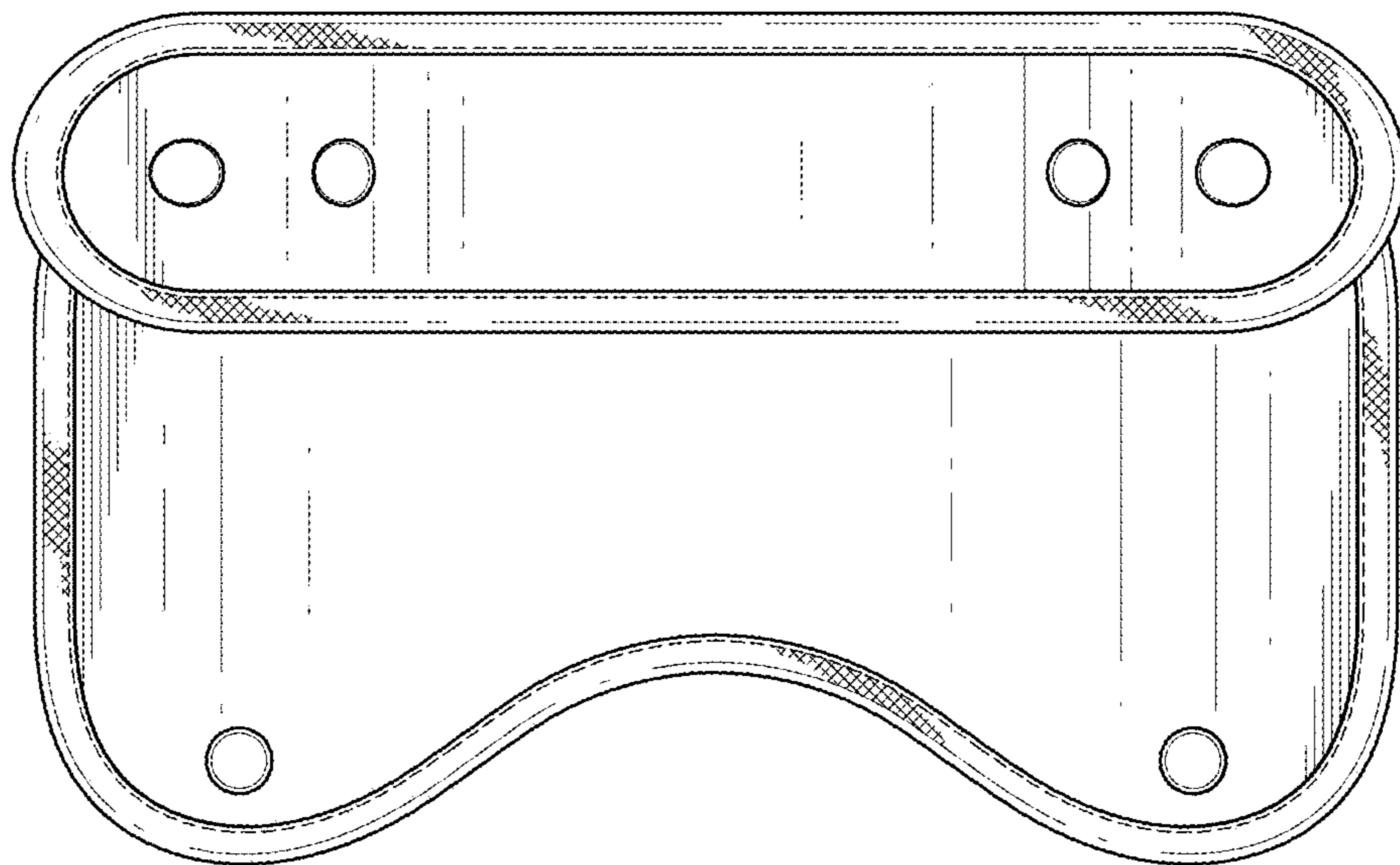
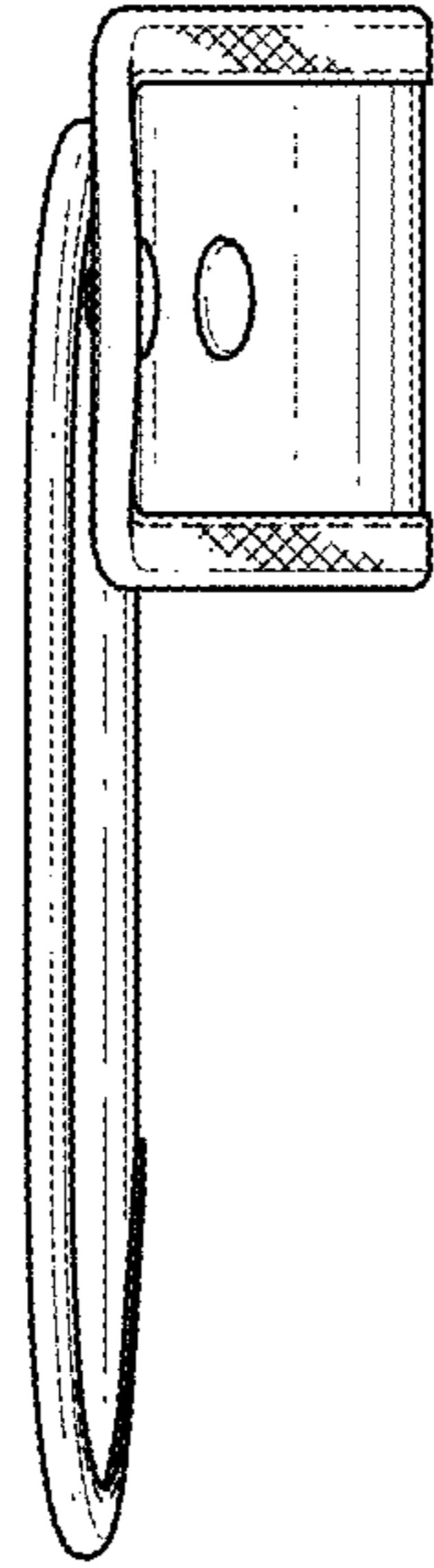
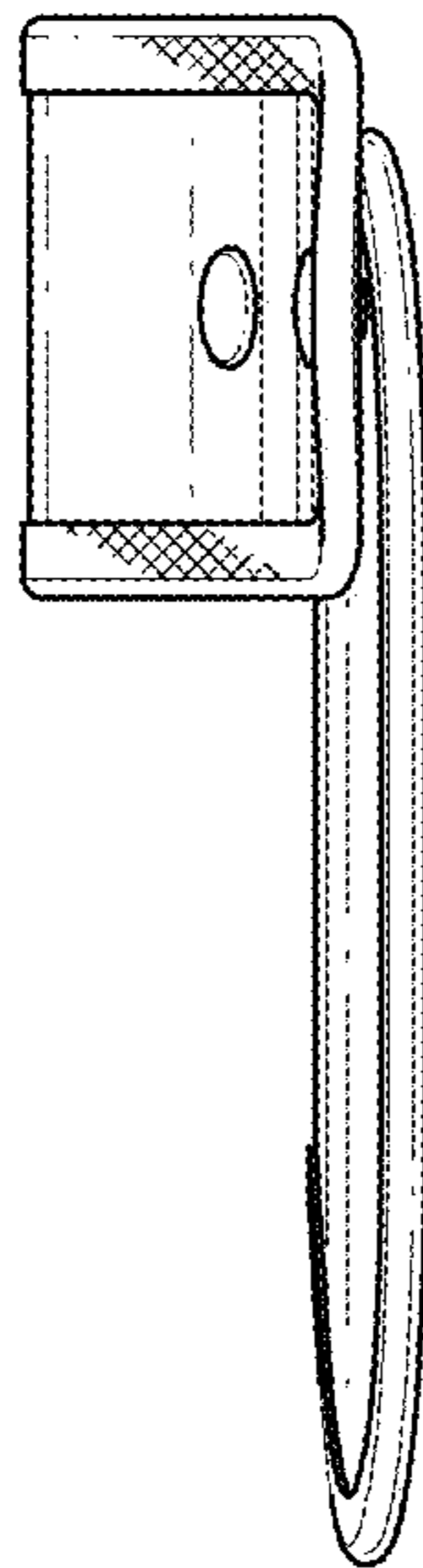


FIG. 5



*FIG. 6*



*FIG. 7*

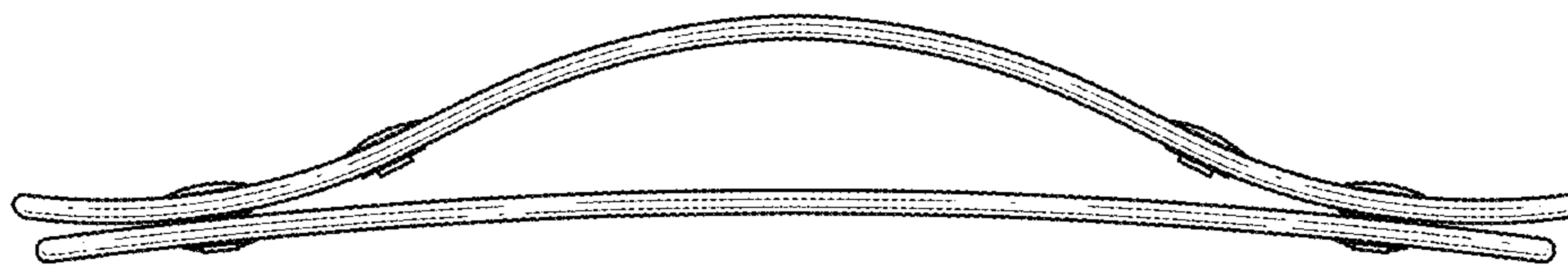


FIG. 8

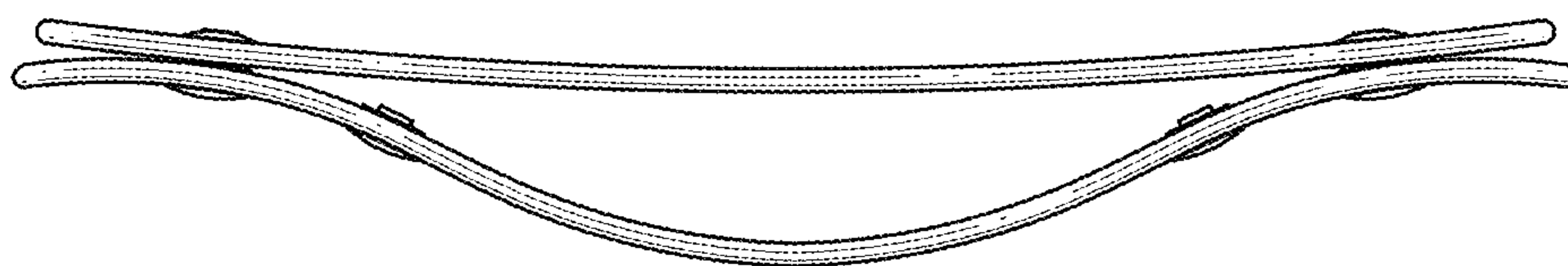


FIG. 9

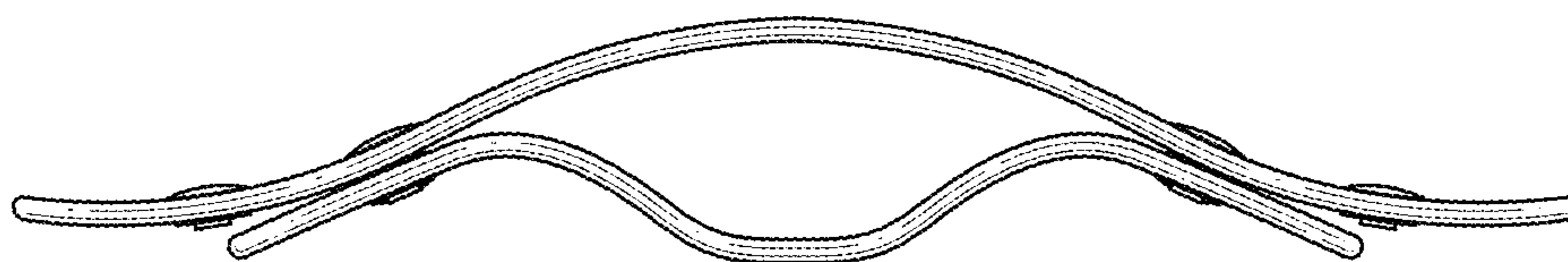


FIG. 10