



US00D702415S

(12) **United States Design Patent**  
**Kimoto et al.**

(10) **Patent No.:** **US D702,415 S**  
(45) **Date of Patent:** **\*\* Apr. 8, 2014**

(54) **FARE COLLECTION MACHINE**

(75) Inventors: **Kenji Kimoto**, Motosu (JP); **Yasuhiro Suzuki**, Motosu (JP); **Nobuaki Watanabe**, Motosu (JP); **Takeshi Matsuno**, Motosu (JP)

(73) Assignee: **Lecip Corporation**, Gifu-Ken (JP)

(\*\*) Term: **14 Years**

(21) Appl. No.: **29/407,008**

(22) Filed: **Nov. 22, 2011**

(30) **Foreign Application Priority Data**

Sep. 8, 2011 (JP) ..... 2011-022203

(51) **LOC (10) Cl.** ..... **99-00**

(52) **U.S. Cl.**  
USPC ..... **D99/43**

(58) **Field of Classification Search**  
USPC ..... D99/28, 34, 35, 36, 43, 99; D14/300, D14/301, 302, 303, 900-902; D18/3.1, 3.2, D18/3.3, 4.4, 4.5, 4.6, 12, 12.1, 12.3; 101/66; 109/1 R, 1 V, 2, 23, 24.1, 25, 109/58, 66; 206/0.8, 0.81, 0.815, 0.82, 206/0.83, 0.84; 446/8-13

See application file for complete search history.

(56) **References Cited**

**U.S. PATENT DOCUMENTS**

D289,099 S	3/1987	Golland	
D289,819 S	5/1987	Long	
D292,939 S	11/1987	Aubrey	
D293,792 S	1/1988	Watson	
4,977,502 A	12/1990	Baker et al.	
D327,877 S	7/1992	Martin	
D333,874 S	3/1993	Diamond	
D394,458 S *	5/1998	Watanabe et al.	D20/10
D419,277 S *	1/2000	Ishii et al.	D99/35

D421,826 S *	3/2000	Dallman	D99/43
D423,181 S *	4/2000	Dallman	D99/28
D428,444 S	7/2000	McGarrah	

(Continued)

**OTHER PUBLICATIONS**

Scheidt and Bachmann GmbH, at the American Public Transportation Association Expo 2008, Oct. 6-8, 2008 (catalog).

(Continued)

*Primary Examiner* — Elizabeth J Oswecki

(74) *Attorney, Agent, or Firm* — Yoshida & Associates, LLC

(57) **CLAIM**

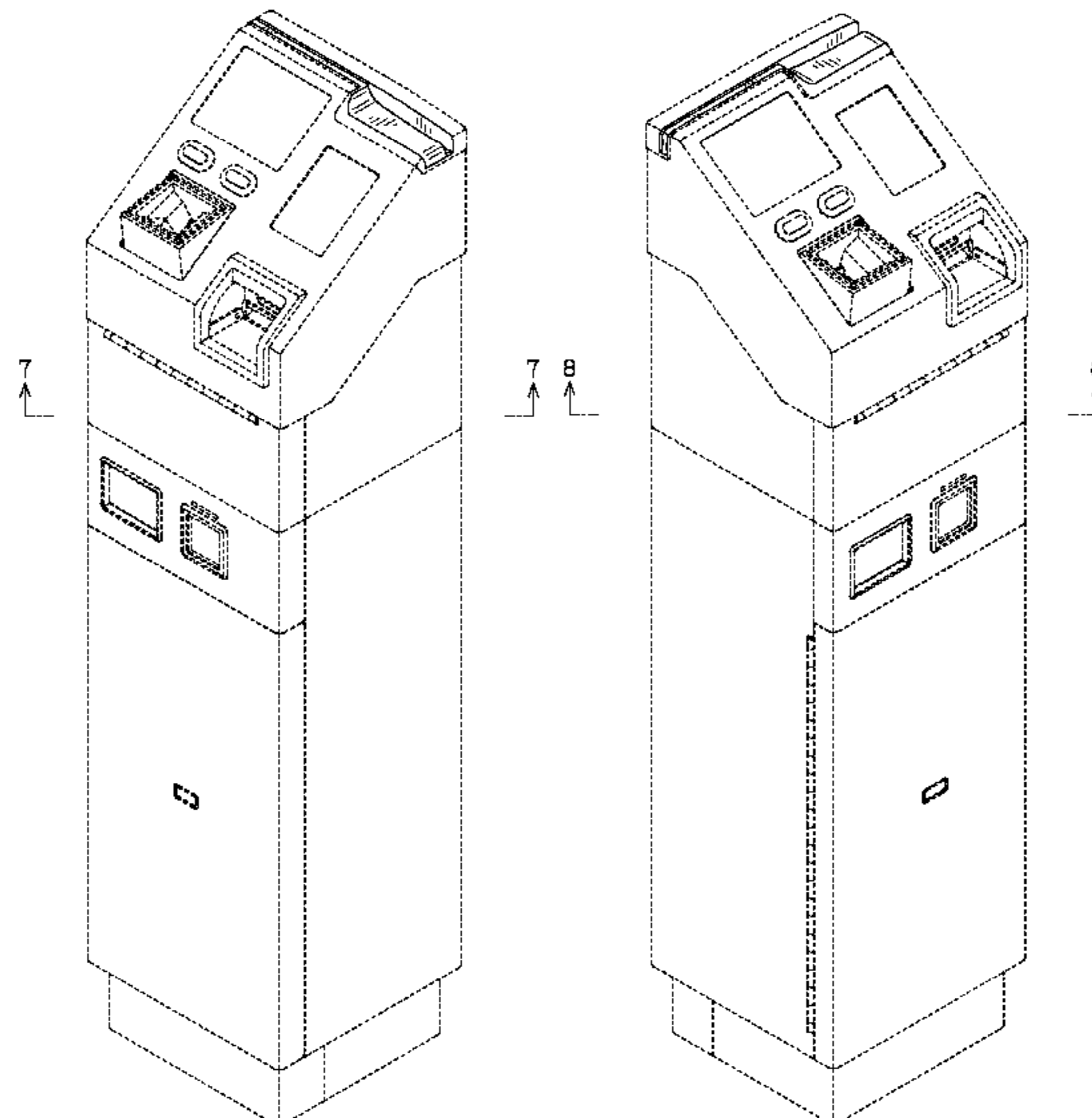
The ornamental design for a fare collection machine, as shown and described.

**DESCRIPTION**

FIG. 1 is a front, top and right side perspective view of a fare collection machine showing our new design;  
 FIG. 2 is a front, top and left side perspective view thereof;  
 FIG. 3 is a front view thereof;  
 FIG. 4 is an enlarged top plan view thereof;  
 FIG. 5 is a right side view thereof;  
 FIG. 6 is a left side view thereof;  
 FIG. 7 is an enlarged view of the portion indicated by line 7-7 in FIG. 1;  
 FIG. 8 is an enlarged view of the portion indicated by line 8-8 in FIG. 2;  
 FIG. 9 is an enlarged view of the portion indicated by line 9-9 in FIG. 3;  
 FIG. 10 is an enlarged view of the portion indicated by line 10-10 in FIG. 5; and,  
 FIG. 11 is an enlarged view of the portion indicated by line 11-11 in FIG. 6.

The features shown in broken lines in the drawings depict environmental subject matter only and form no part of the claimed design.

**1 Claim, 11 Drawing Sheets**



(56)

**References Cited**

U.S. PATENT DOCUMENTS

D447,164 S \* 8/2001 Forslund ..... D18/3.1  
D448,040 S \* 9/2001 Forslund ..... D18/3.1  
D477,030 S 7/2003 Kolls et al.  
D487,834 S \* 3/2004 Zerman et al. .... D99/28  
D590,828 S 4/2009 Sherrod et al.  
D596,373 S \* 7/2009 Kang et al. .... D99/28  
D596,374 S \* 7/2009 Kang et al. .... D99/28  
D625,305 S \* 10/2010 Bleck et al. .... D14/307  
D629,585 S \* 12/2010 Bleck et al. .... D99/28

D645,223 S \* 9/2011 Bleck et al. .... D99/28  
D674,985 S \* 1/2013 Lee ..... D99/28  
2006/0073883 A1\* 4/2006 Franks ..... 463/25

OTHER PUBLICATIONS

ACS Transport Solutions Inc., 2008 (catalog).  
<http://www.gfigenfare.com/Downloads/Odyssey.pdf>, GFI Genfare,  
2002 (cataolg).  
<http://www.gfigenfare.com/Downloads/CaB.pdf>, GFI Genfare, 2001  
(catalog).

\* cited by examiner

Fig. 1

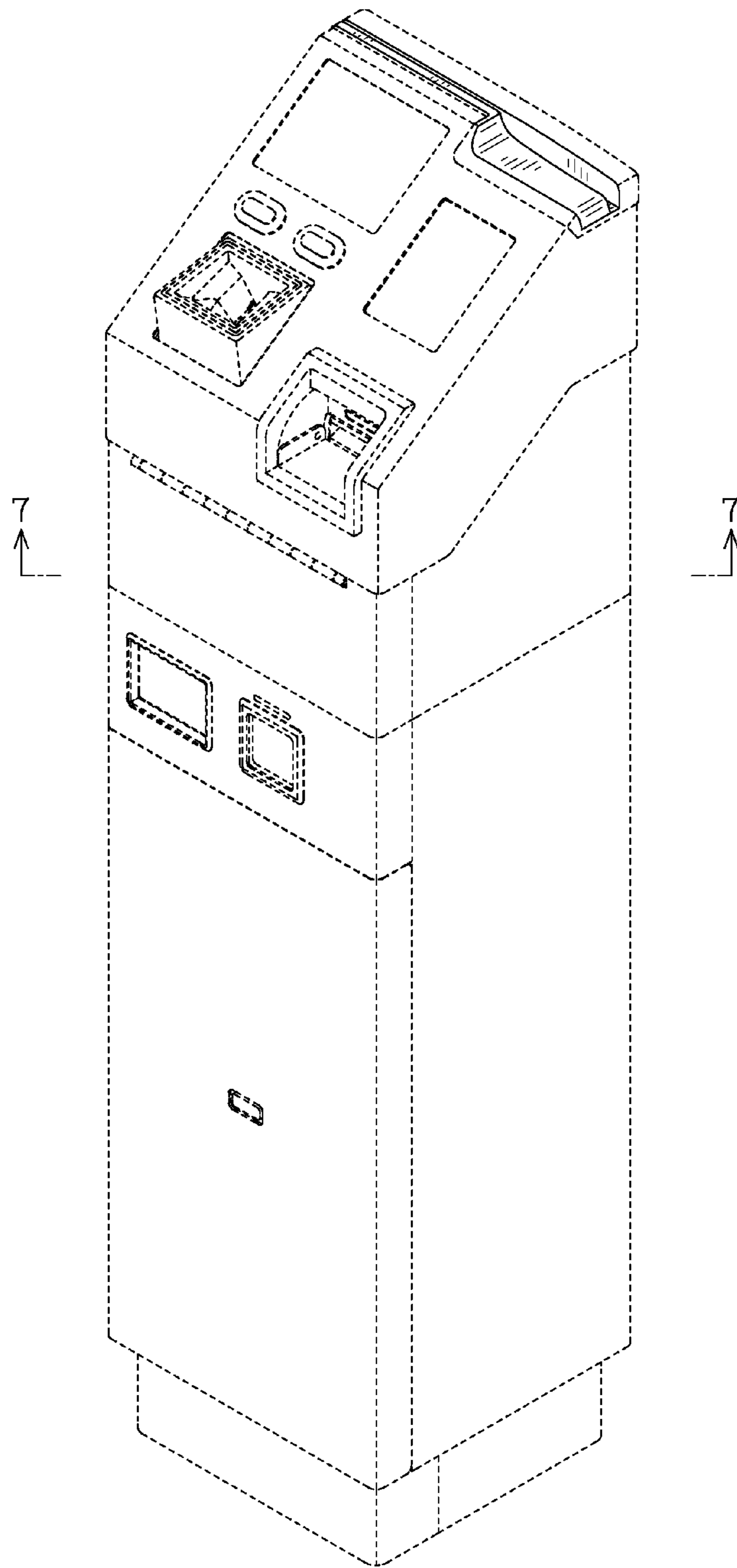


Fig. 2

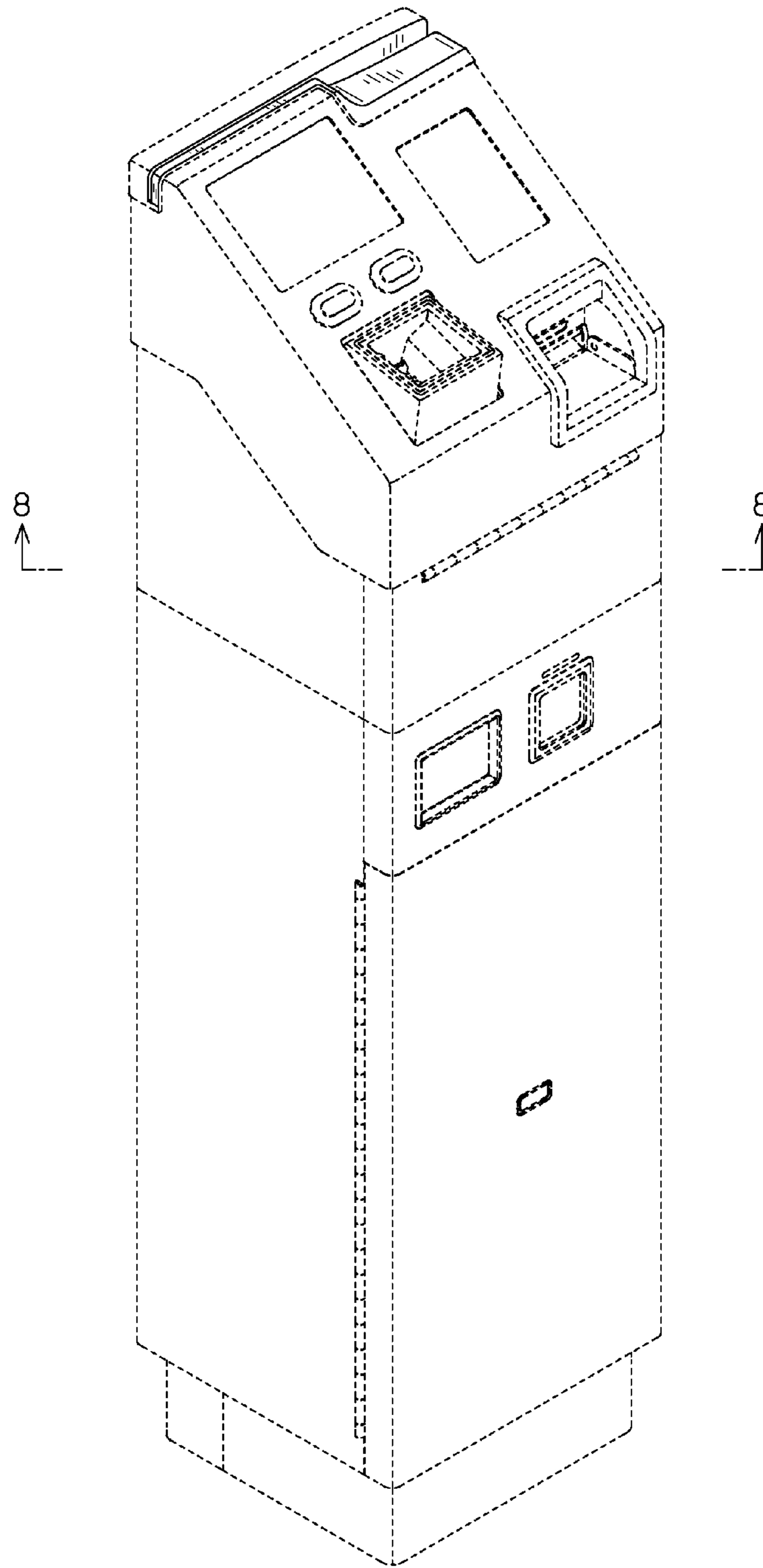
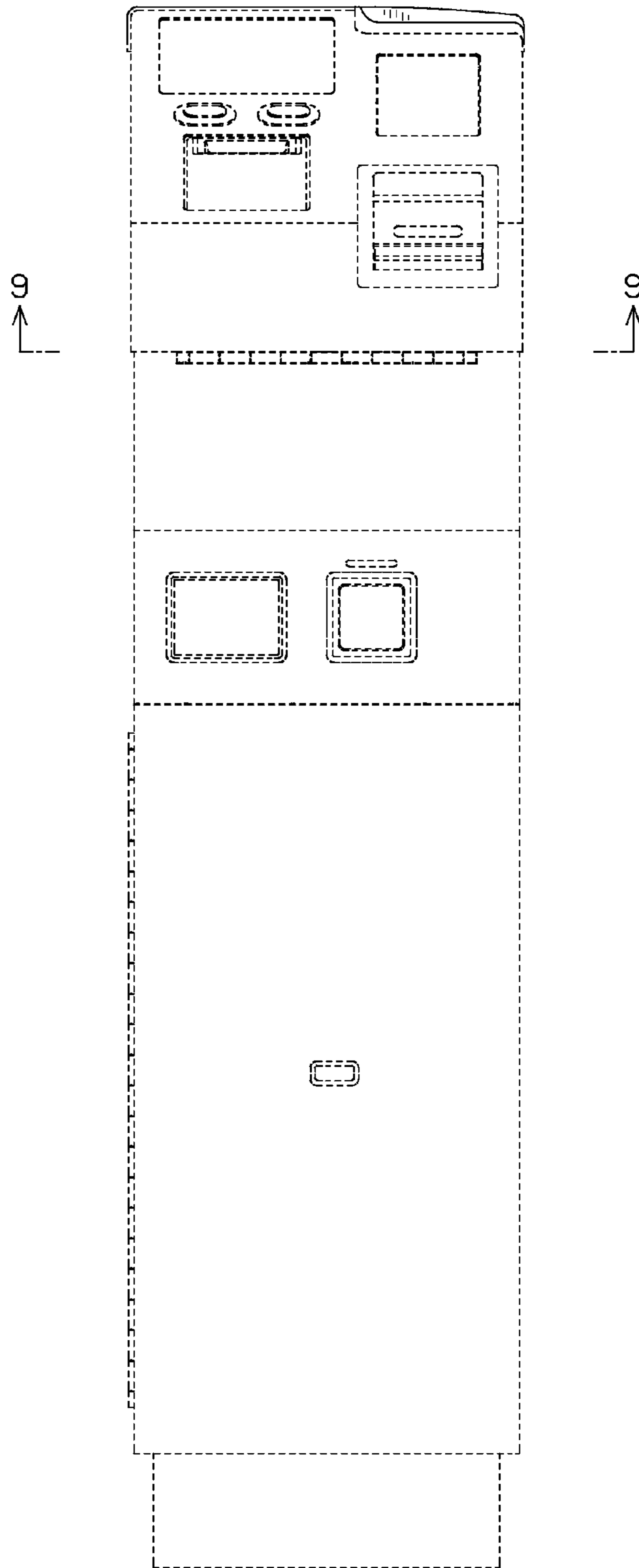


Fig. 3



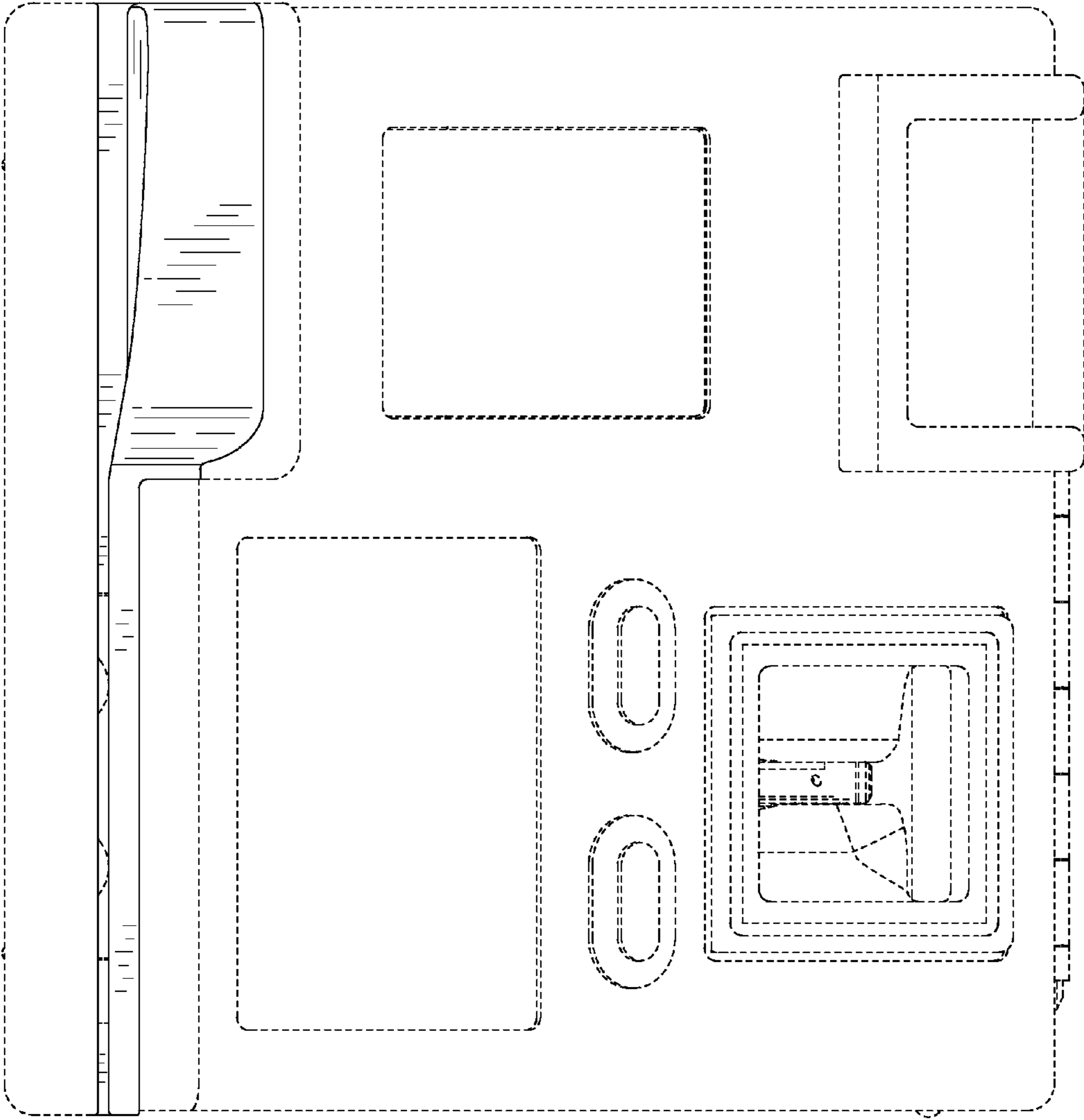


Fig. 4

Fig. 5

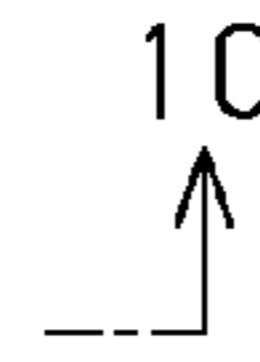
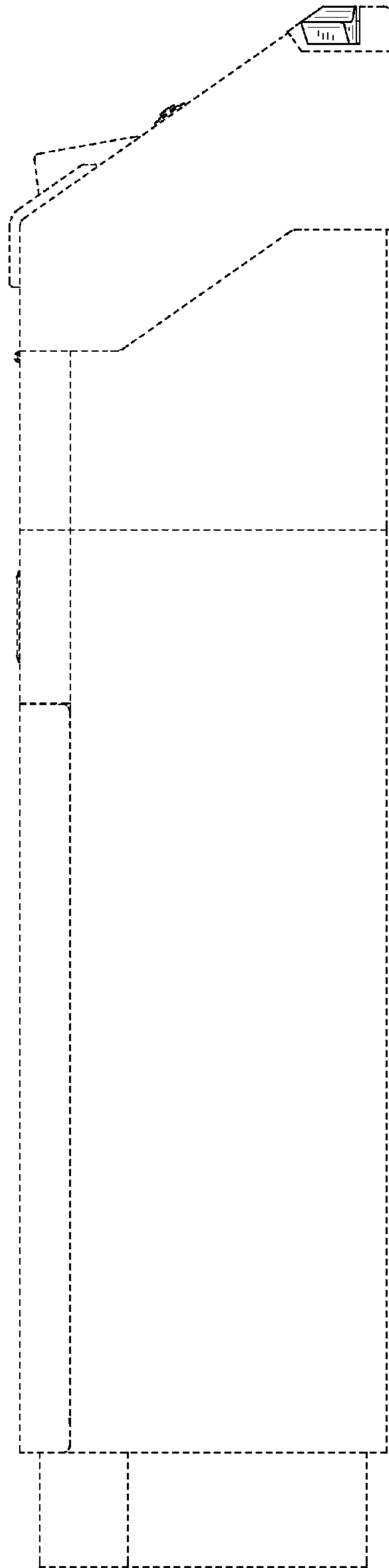


Fig. 6

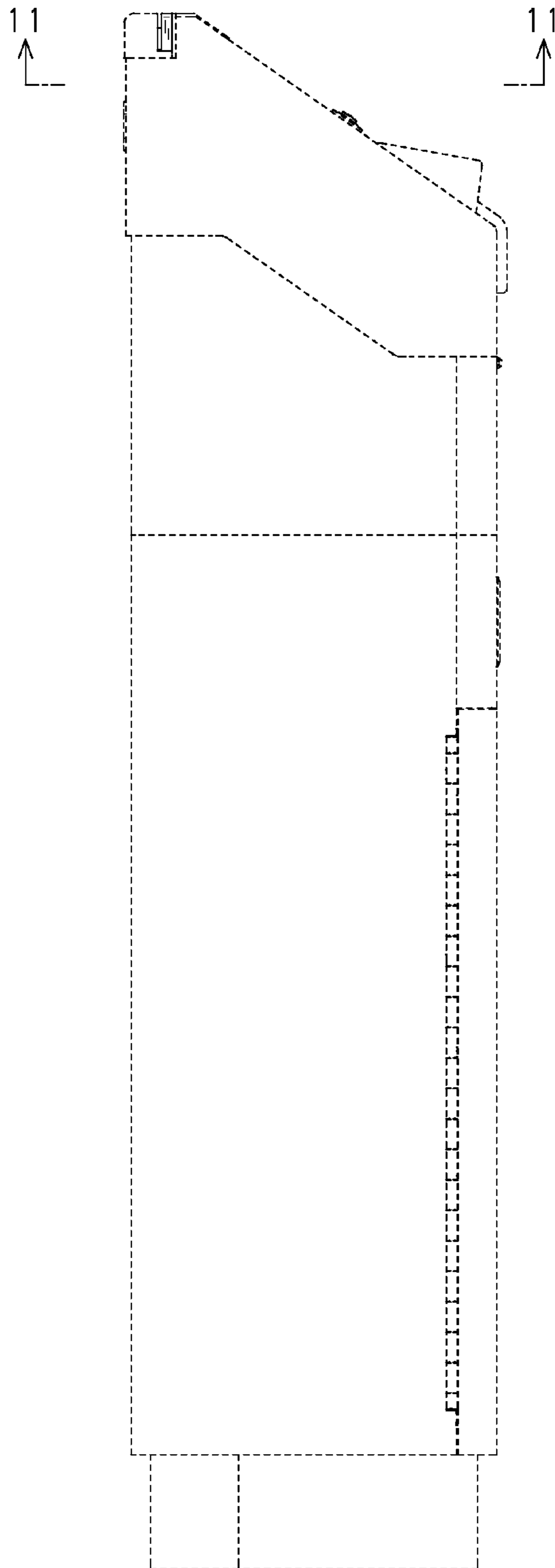




Fig. 7

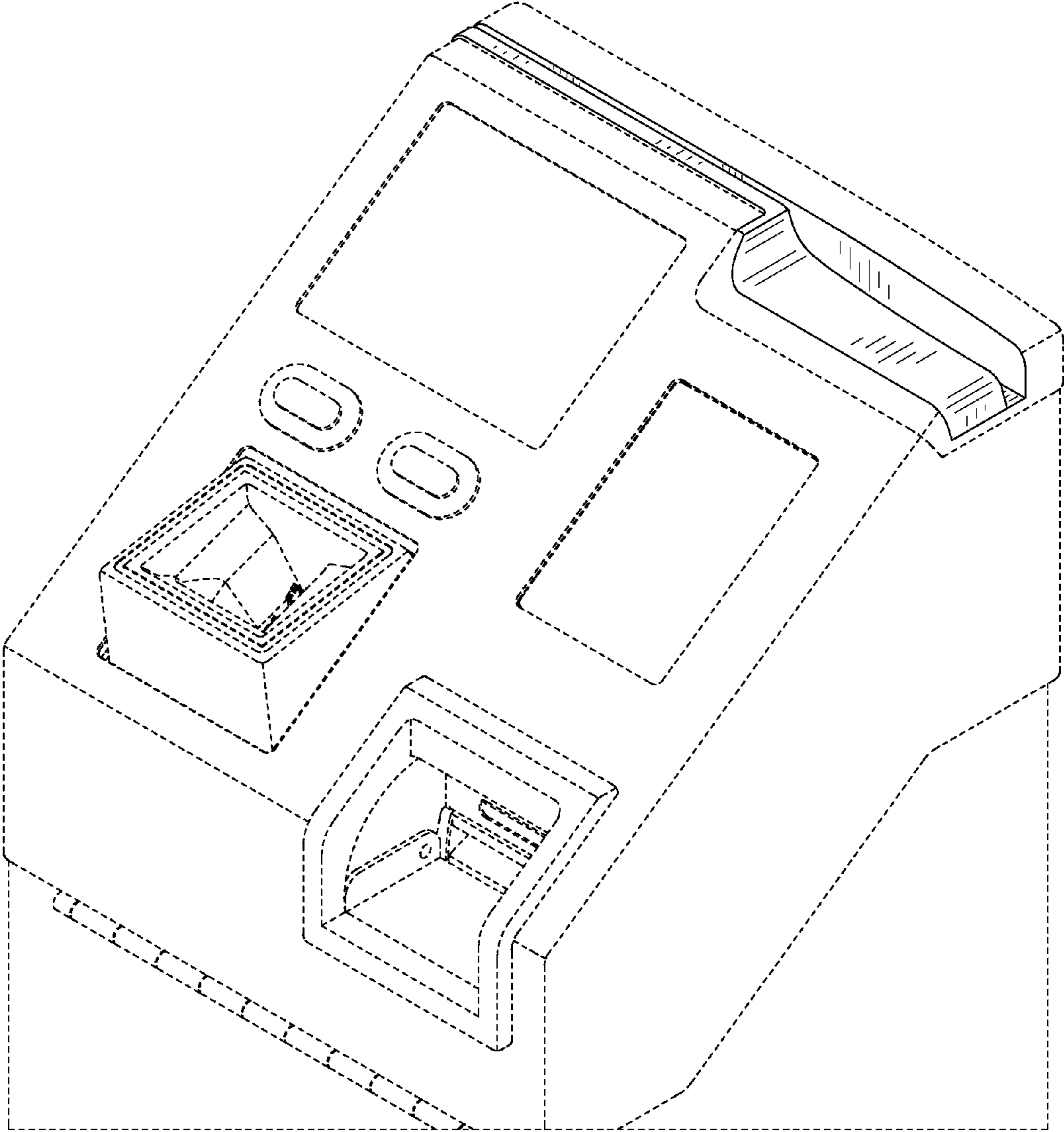
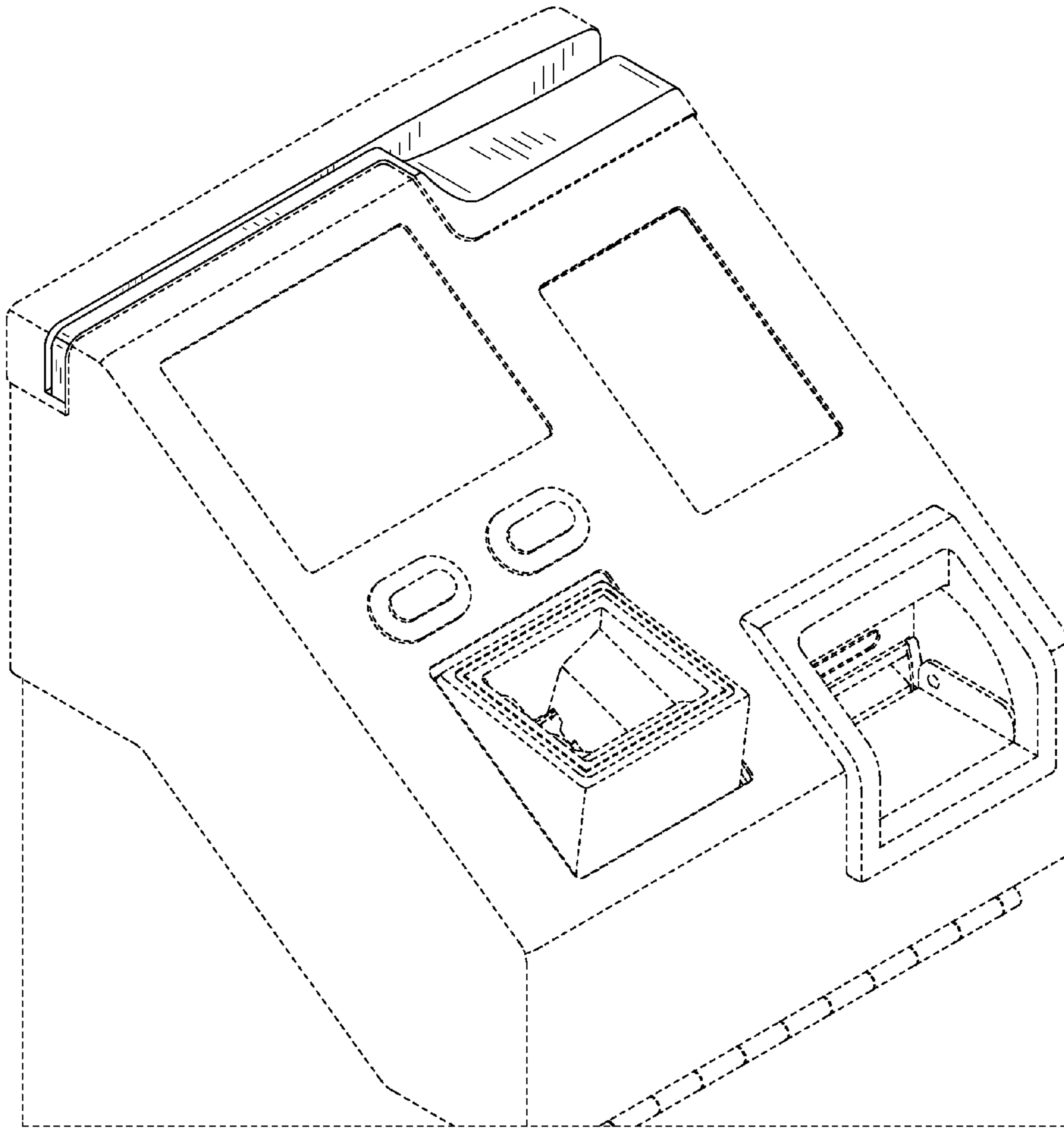


Fig. 8



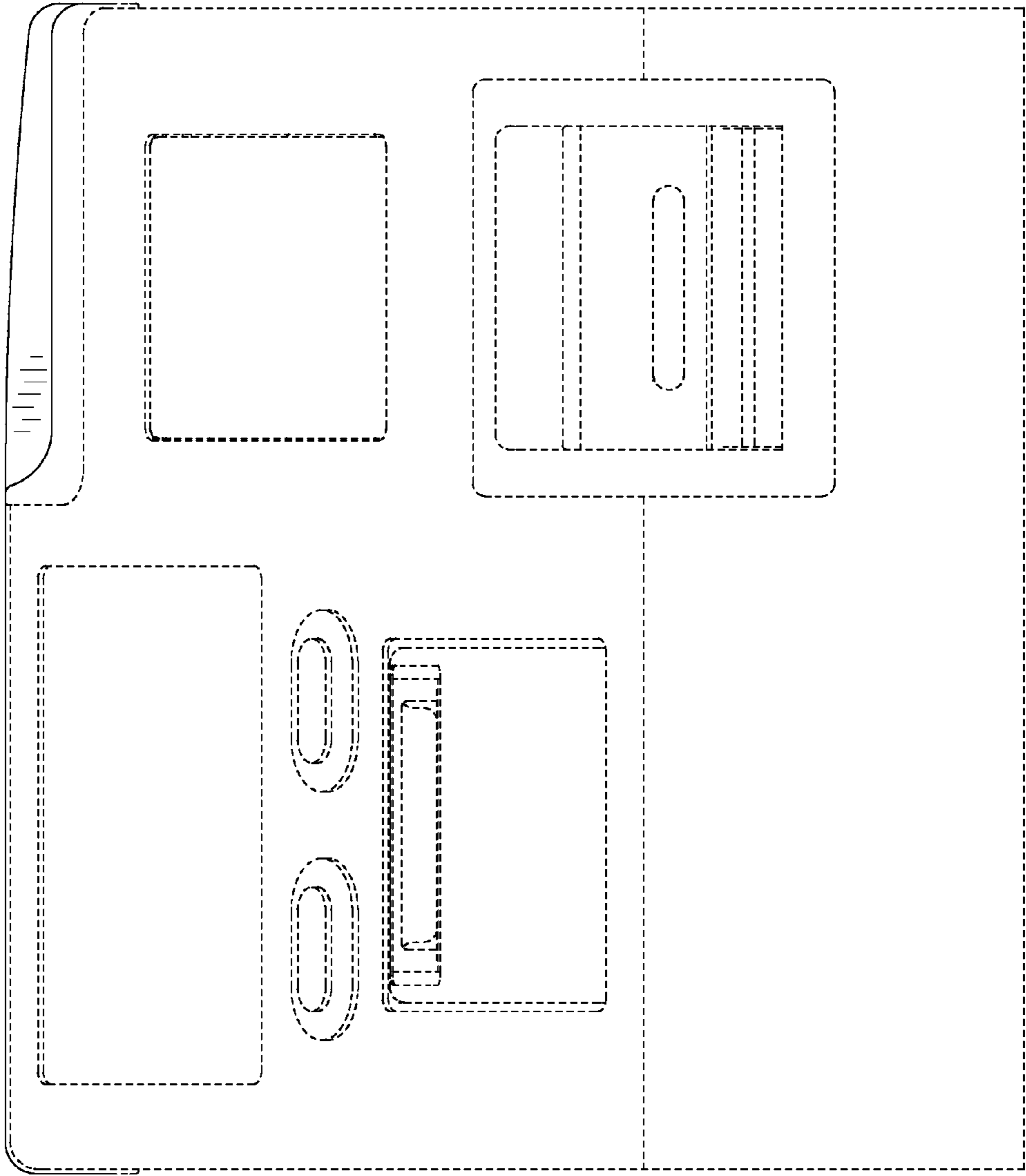


Fig. 9

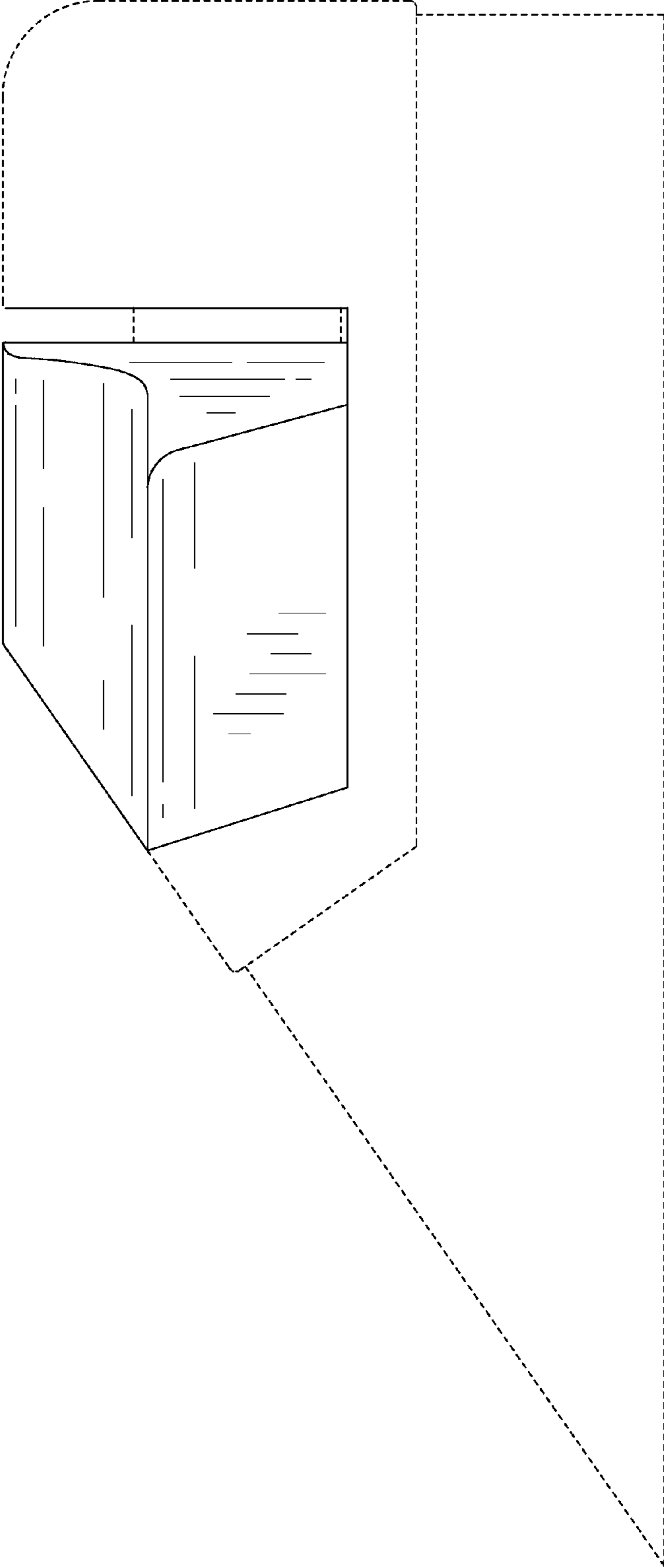


Fig. 10

Fig. 11

