



US00D702412S

(12) **United States Design Patent**
Dosso et al.

(10) **Patent No.:** **US D702,412 S**
(45) **Date of Patent:** **** Apr. 8, 2014**

- (54) **CARTON CLAMP ARM FOR A LIFT TRUCK**
- (75) Inventors: **Andrea Dal Dosso**, Verona (IT); **Brian Sinclair White**, Victoria (AU)
- (73) Assignee: **Cascade Corporation**, Fairview, OR (US)
- (**) Term: **14 Years**
- (21) Appl. No.: **29/417,827**
- (22) Filed: **Apr. 9, 2012**
- (51) **LOC (10) Cl.** **12-05**
- (52) **U.S. Cl.**
USPC **D34/35**
- (58) **Field of Classification Search**
USPC D34/34, 35, 38; 180/315, 89.12, 299;
414/785, 685, 679, 294, 222, 224, 621,
414/653; 187/222, 224
See application file for complete search history.

(56) **References Cited**

U.S. PATENT DOCUMENTS

- 2,720,323 A * 10/1955 Hoiles 414/788.9
- 3,643,827 A 2/1972 Link

(Continued)

FOREIGN PATENT DOCUMENTS

- EP 1 371 601 A2 12/2003
- EP 1 997 771 B1 12/2008
- GB 829369 3/1960

Primary Examiner — Cynthia Ramirez

(74) *Attorney, Agent, or Firm* — Chernoff, Vilhauer, McClung & Stenzel, LLP

(57) **CLAIM**

The ornamental design for a carton clamp arm for a lift truck, as shown and described.

DESCRIPTION

FIG. 1 is an isometric view from the upper right front of a carton clamp arm for a lift truck including a first embodiment of our new design, the illustrated carton clamp arm being for the right side of a lift truck and a carton clamp arm for the left

side of the lift truck being a mirror image of the one for the right side, this view showing the carton clamp arm together with clamp pads and supporting structure depicted in broken line and shown merely for illustrative purposes and forming no part of the claimed design;

FIG. 2 is an isometric view of the carton clamp arm shown in FIG. 1, taken from the upper right front thereof;

FIG. 3 is an isometric view thereof taken from the lower right rear thereof;

FIG. 4 is a right, or outer, side elevational view thereof;

FIG. 5 is a front end elevational view thereof;

FIG. 6 is a rear end elevational view thereof;

FIG. 7 is a top plan view thereof;

FIG. 8 is a bottom plan view thereof, the left, or inner, side thereof normally being hidden from view and therefore forming no part of the claimed design and not being illustrated;

FIG. 9 is an isometric view of the upper right front of a carton clamp arm for a lift truck including a second embodiment of our new design, the illustrated carton clamp arm being for the right side of a lift truck and a carton clamp arm for the left side of the lift truck being a mirror image of the one for the right side, this view showing the carton clamp arm together with clamp pads and supporting structure depicted in broken line and shown merely for illustrative purposes and forming no part of the claimed design;

FIG. 10 is an isometric view of the carton clamp arm shown in FIG. 9, taken from the upper right front thereof;

FIG. 11 is an isometric view thereof taken from the lower right rear thereof;

FIG. 12 is a right, or outer, side elevational view thereof;

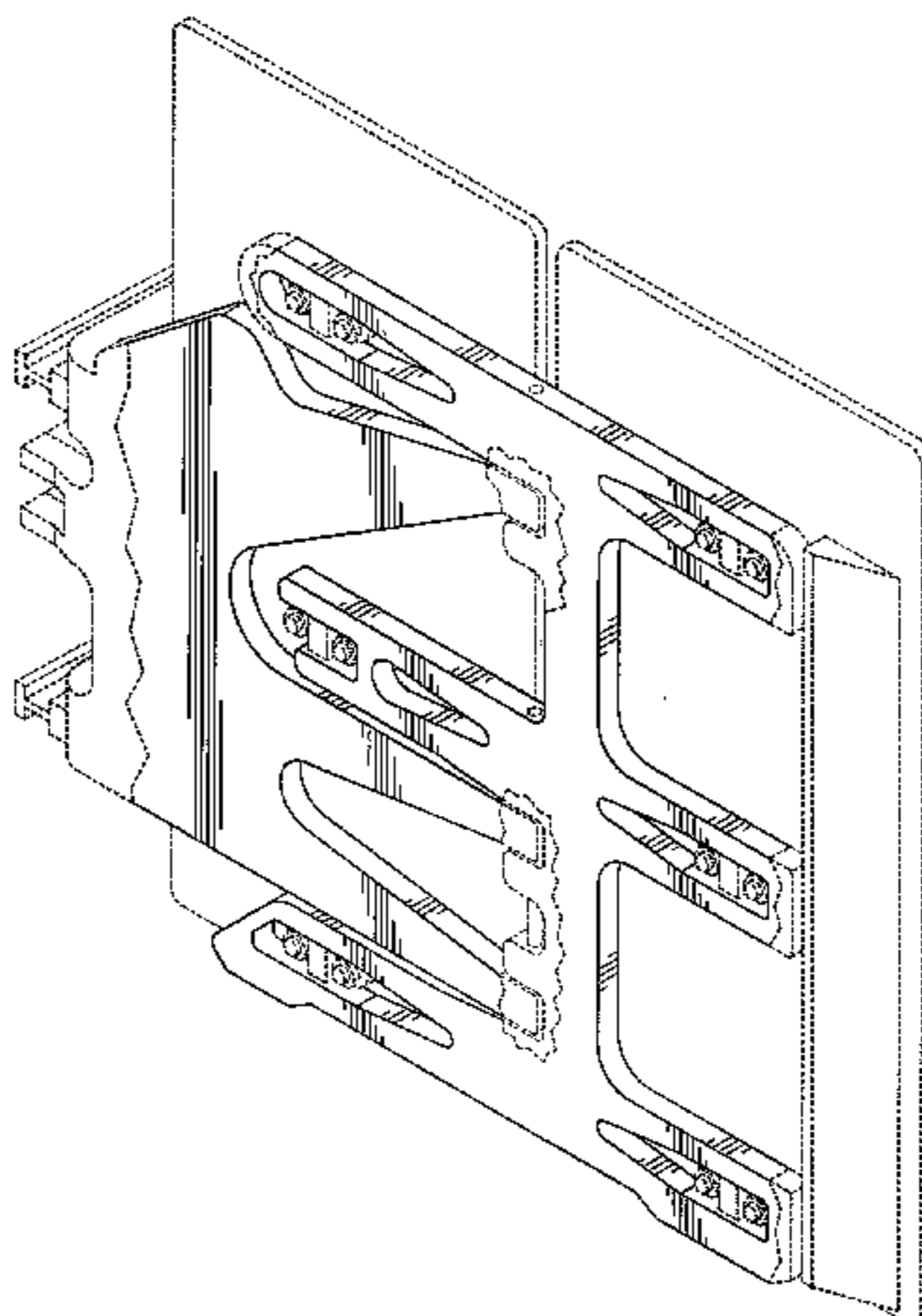
FIG. 13 is a front end elevational view thereof;

FIG. 14 is a rear end elevational view thereof;

FIG. 15 is a top plan view thereof; and,

FIG. 16 is a bottom plan view thereof, the left, or inner, side thereof normally being hidden from view and therefore forming no part of the present design. Four extreme end portions of the carton clamp arm are shown in broken line in each of FIGS. 1, 2, 3 and 4; three of those extreme end portions are shown in broken line in FIG. 5, and one is shown in broken line in each of FIGS. 6 and 8, and two are shown in FIG. 7, and those extreme end portions thus shown in broken line form no part of the claimed design. The broken lines immediately adjacent to the shaded areas of the drawing views represent unclaimed boundaries of the claimed design, and the hinge and hinge pin portions of the carton clamp arm depicted in broken line in several of the views form no part of the claimed design.

1 Claim, 8 Drawing Sheets



US D702,412 S

Page 2

(56)

References Cited

U.S. PATENT DOCUMENTS

D376,036 S * 11/1996 Lanigan et al. D34/35
D499,854 S * 12/2004 Ryan et al. D34/34

D649,734 S * 11/2011 Birkenmayer D34/35
D649,735 S * 11/2011 Sharp D34/35
2002/0069795 A1* 6/2002 Schutz 108/51.11
2006/0073001 A1 4/2006 Chase

* cited by examiner

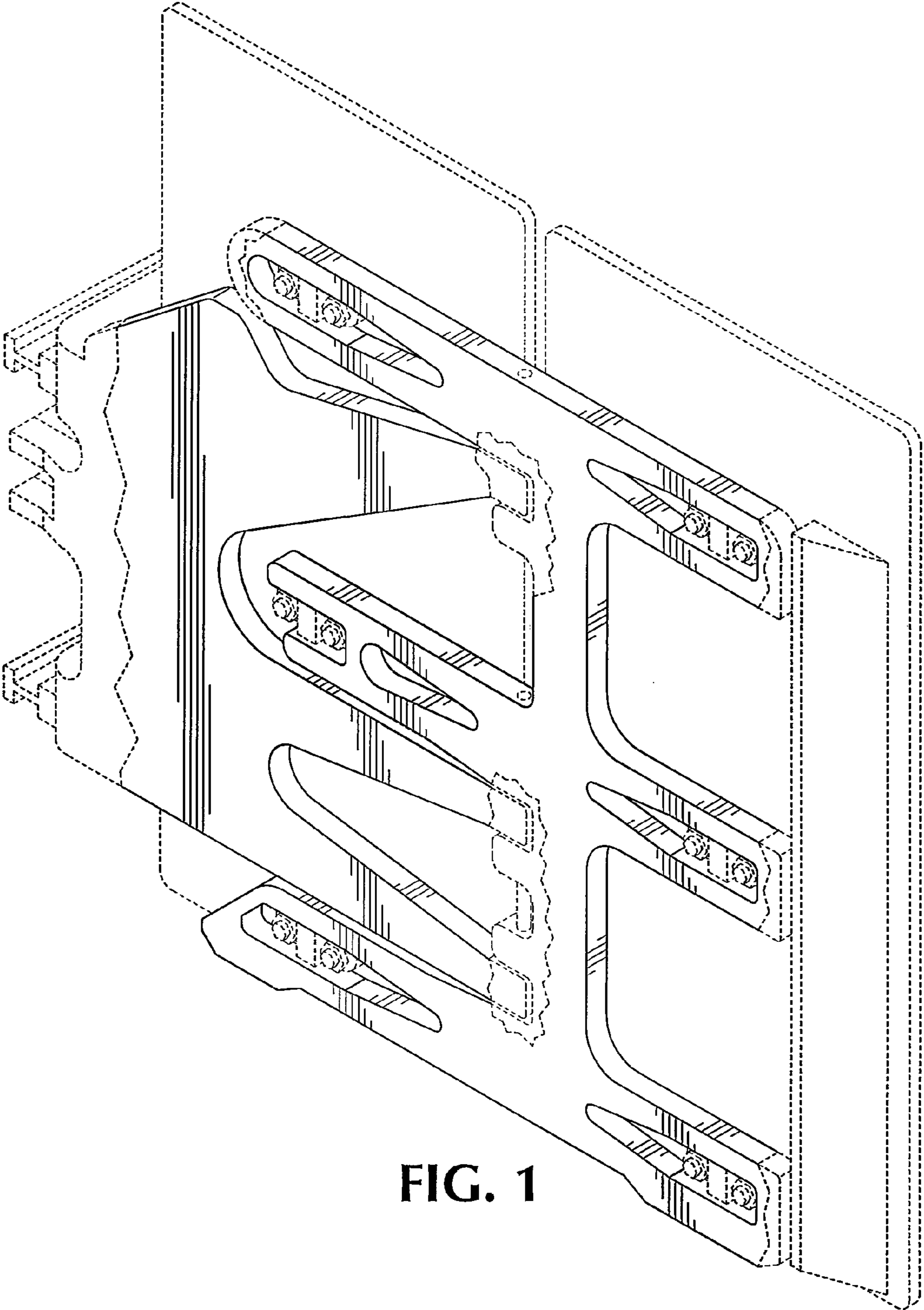


FIG. 1

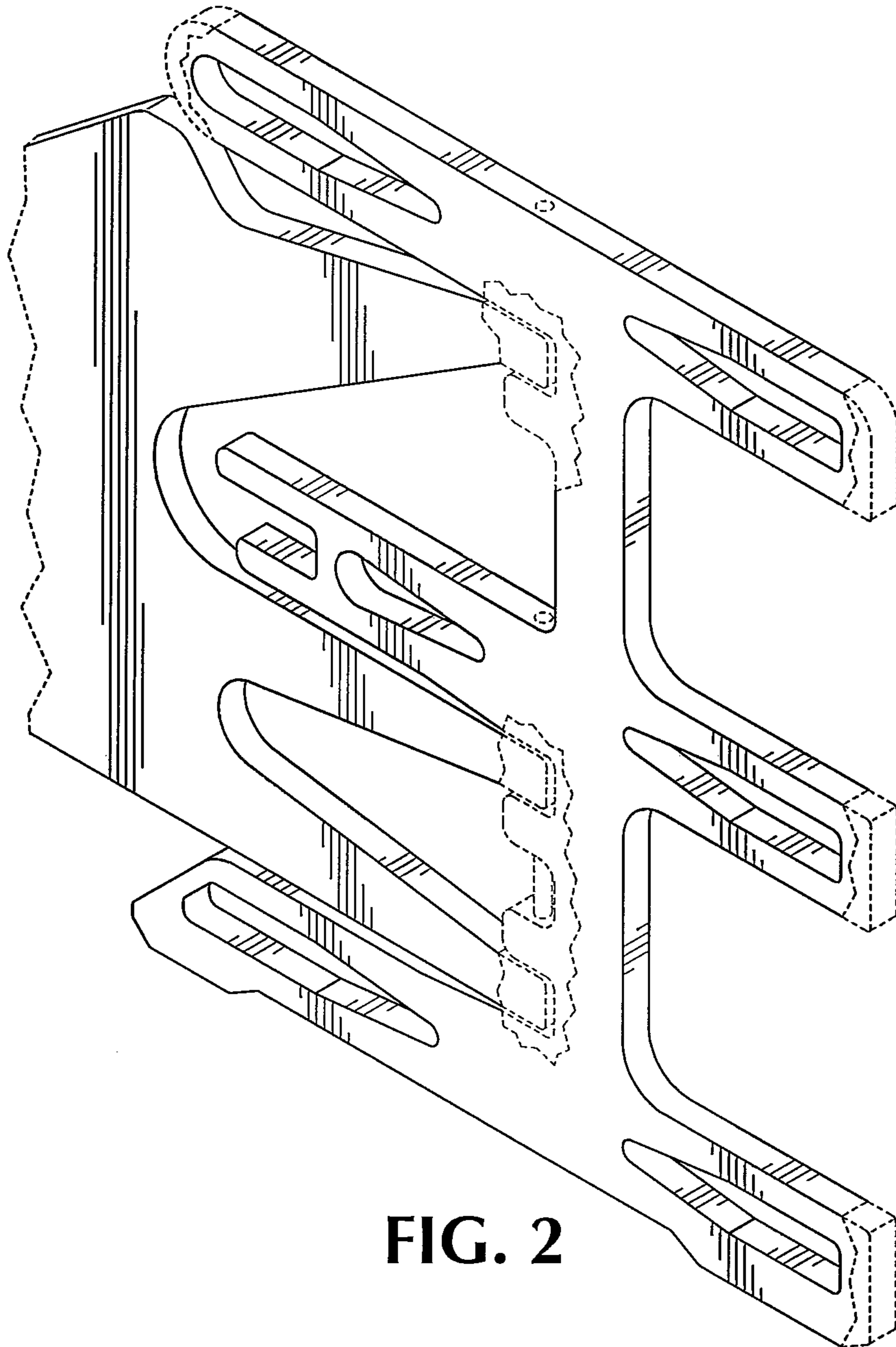


FIG. 2

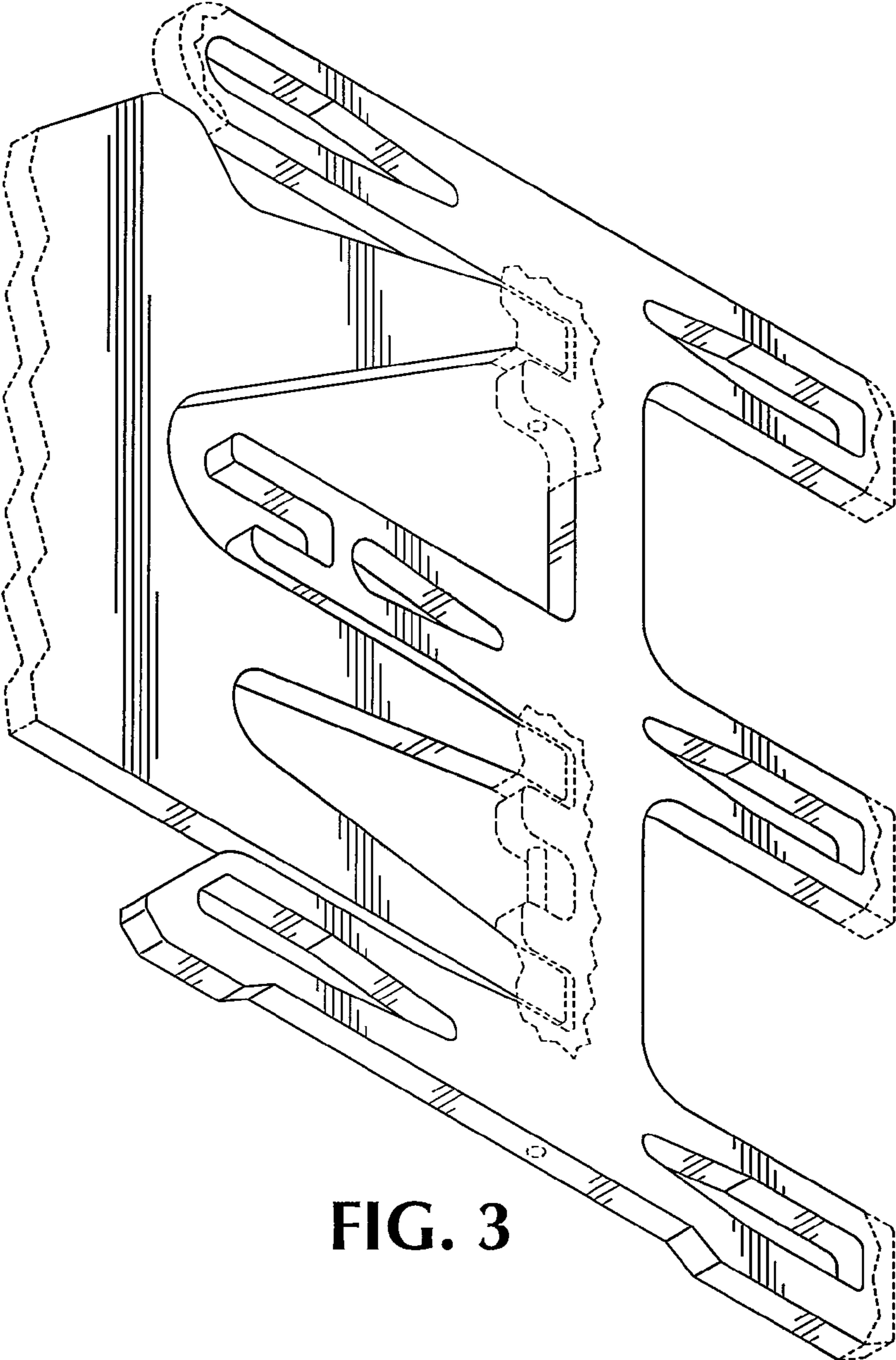


FIG. 3

FIG. 7

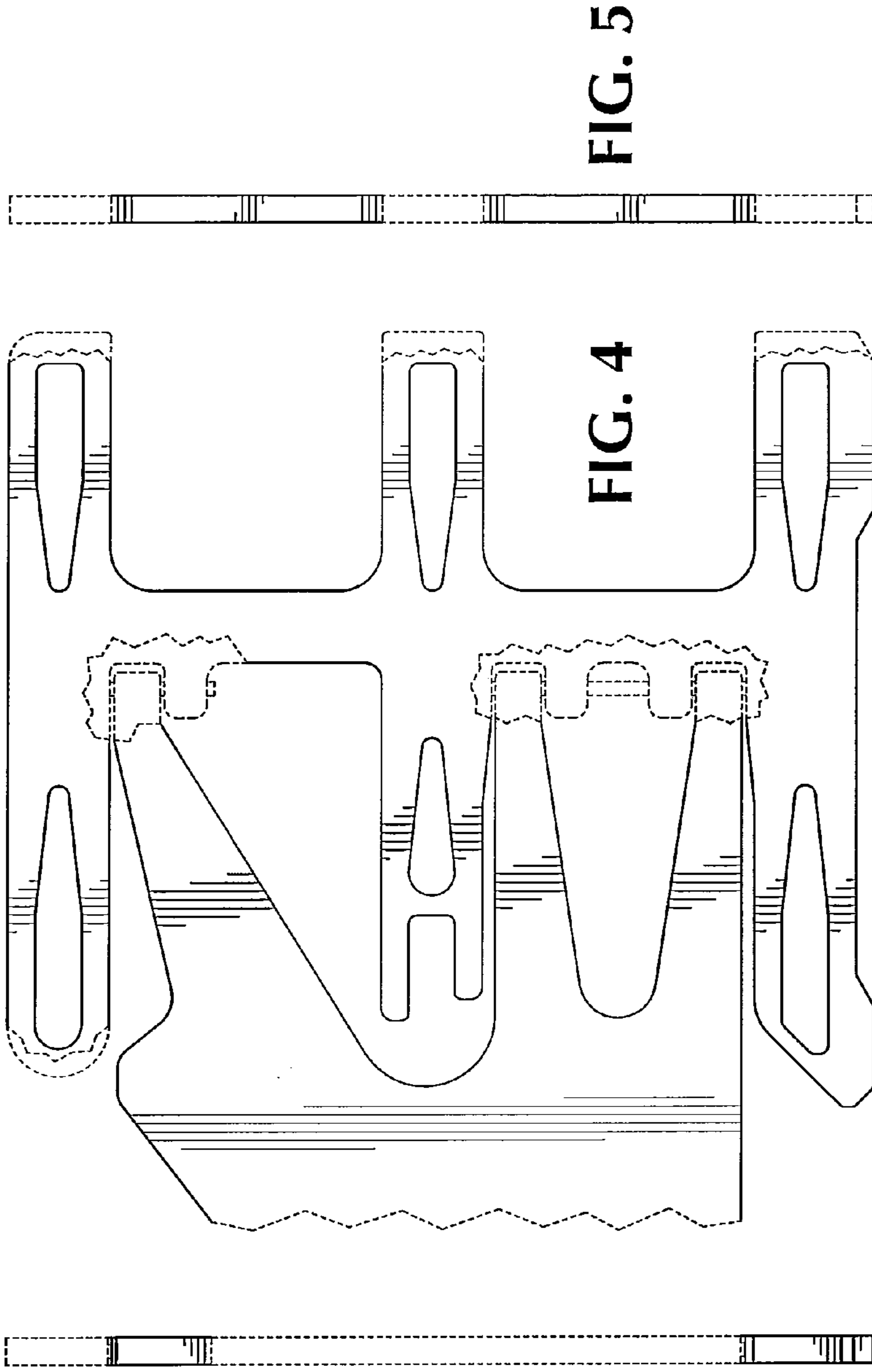


FIG. 5

FIG. 4

FIG. 8

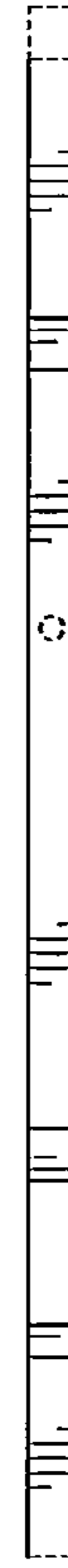
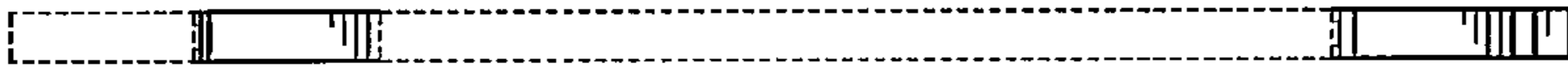


FIG. 6



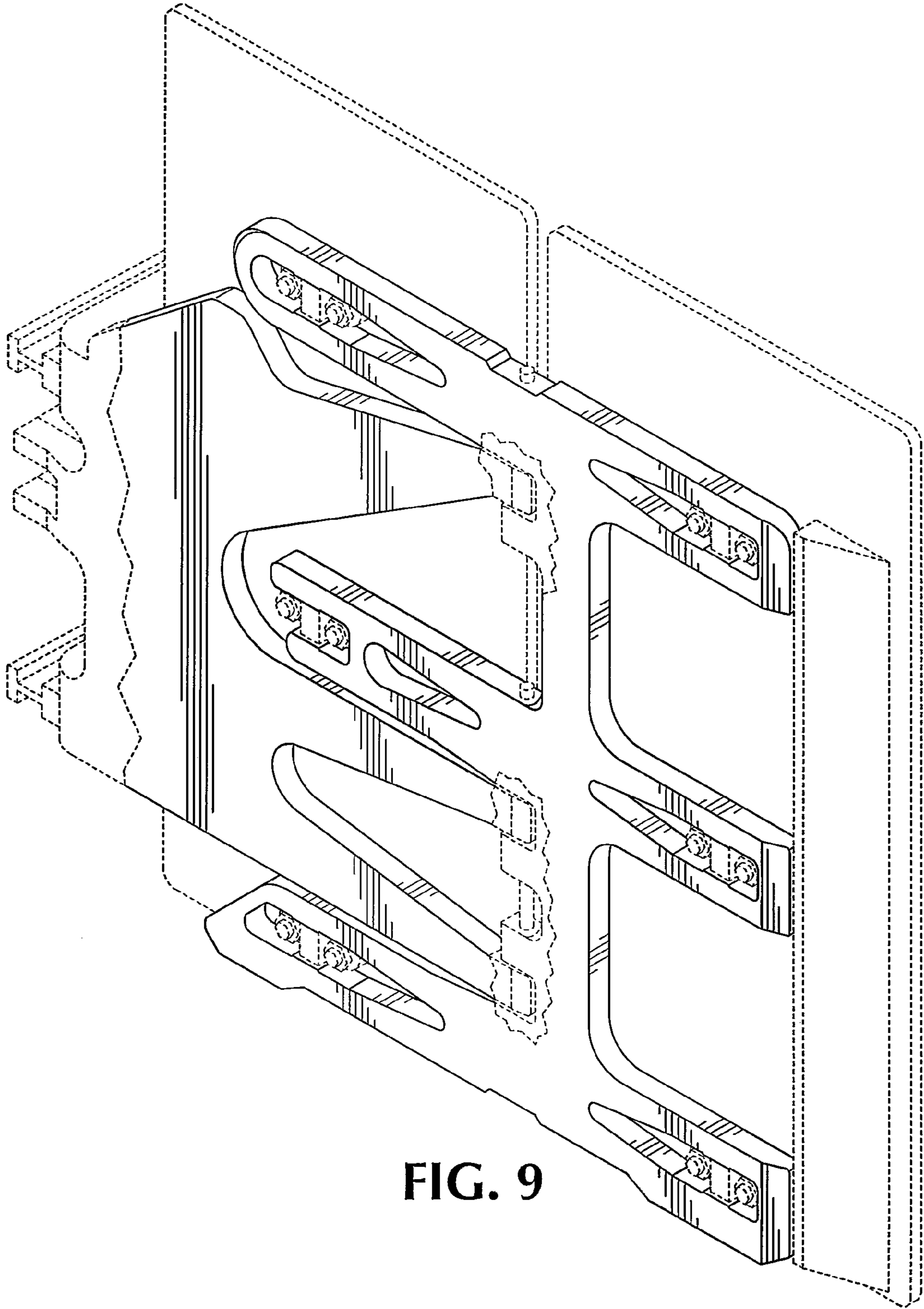
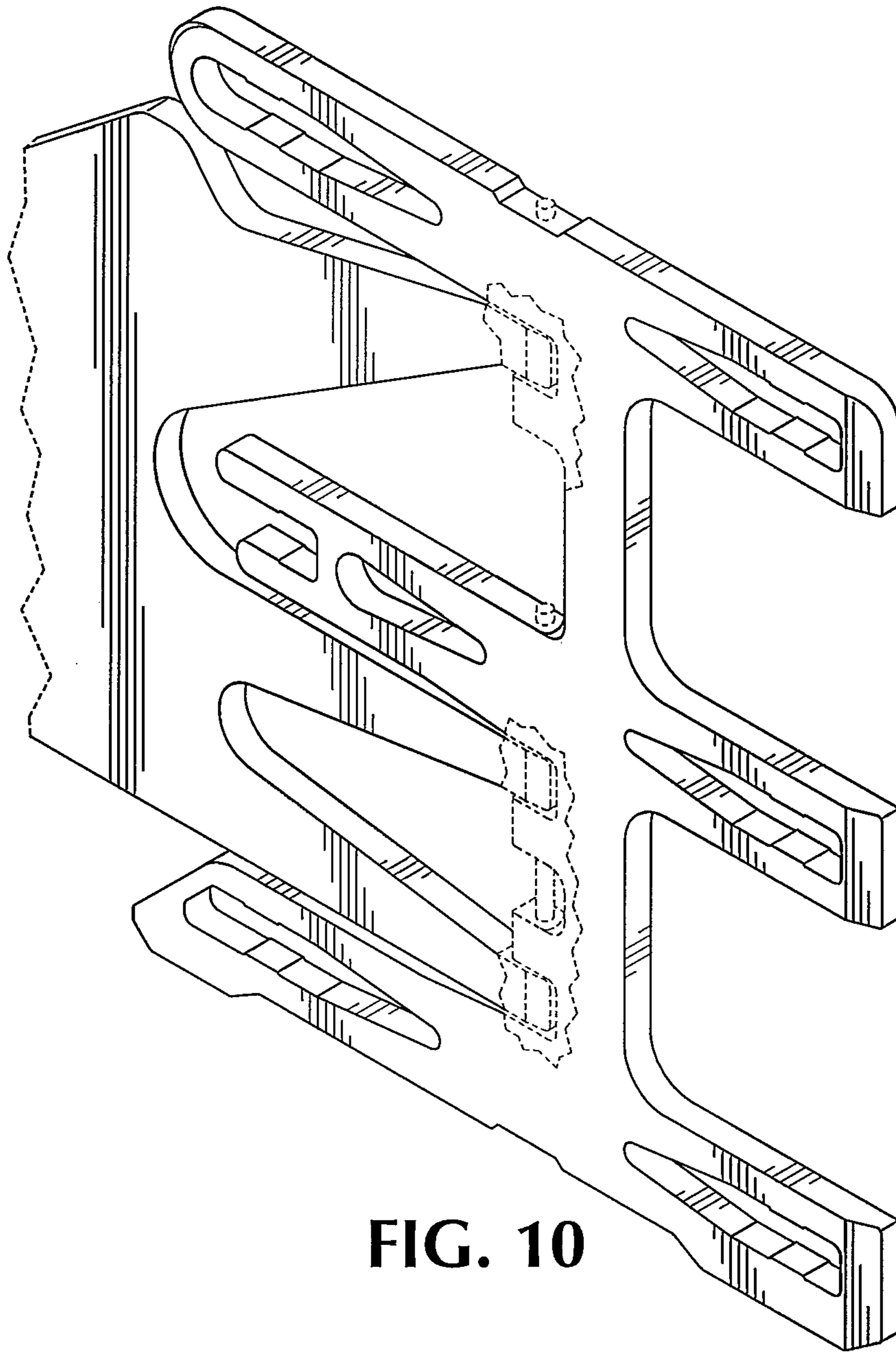


FIG. 9



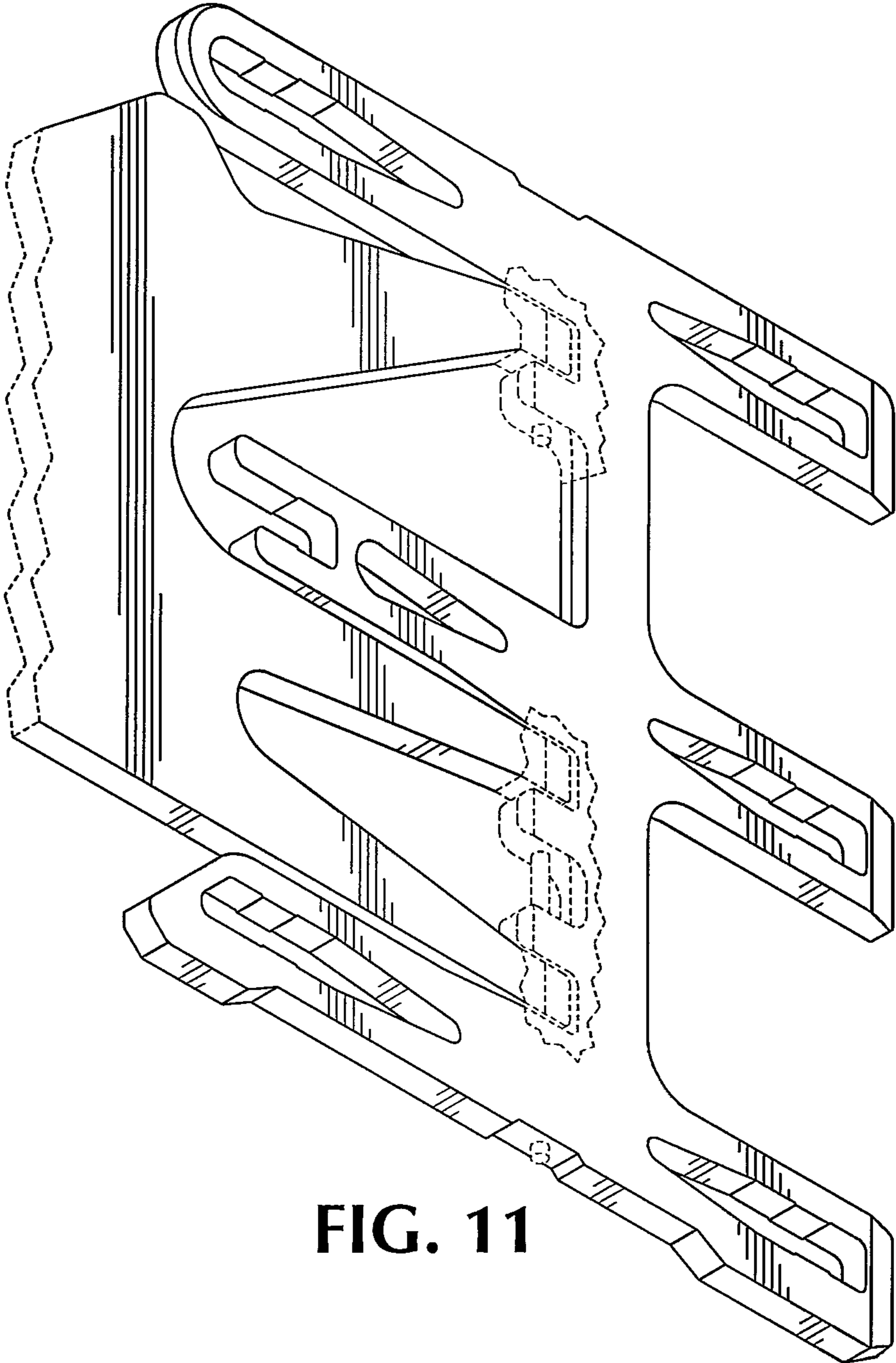


FIG. 11

FIG. 15

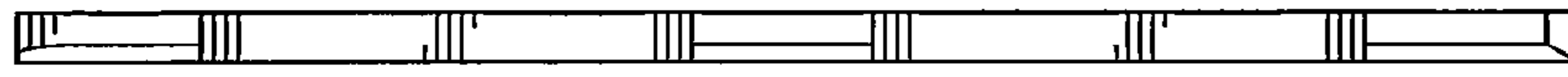
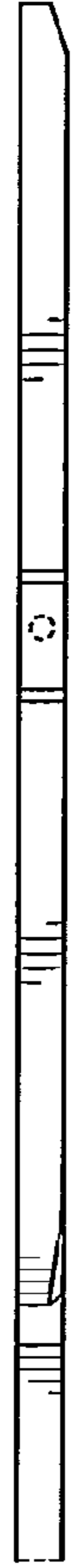


FIG. 13

FIG. 12

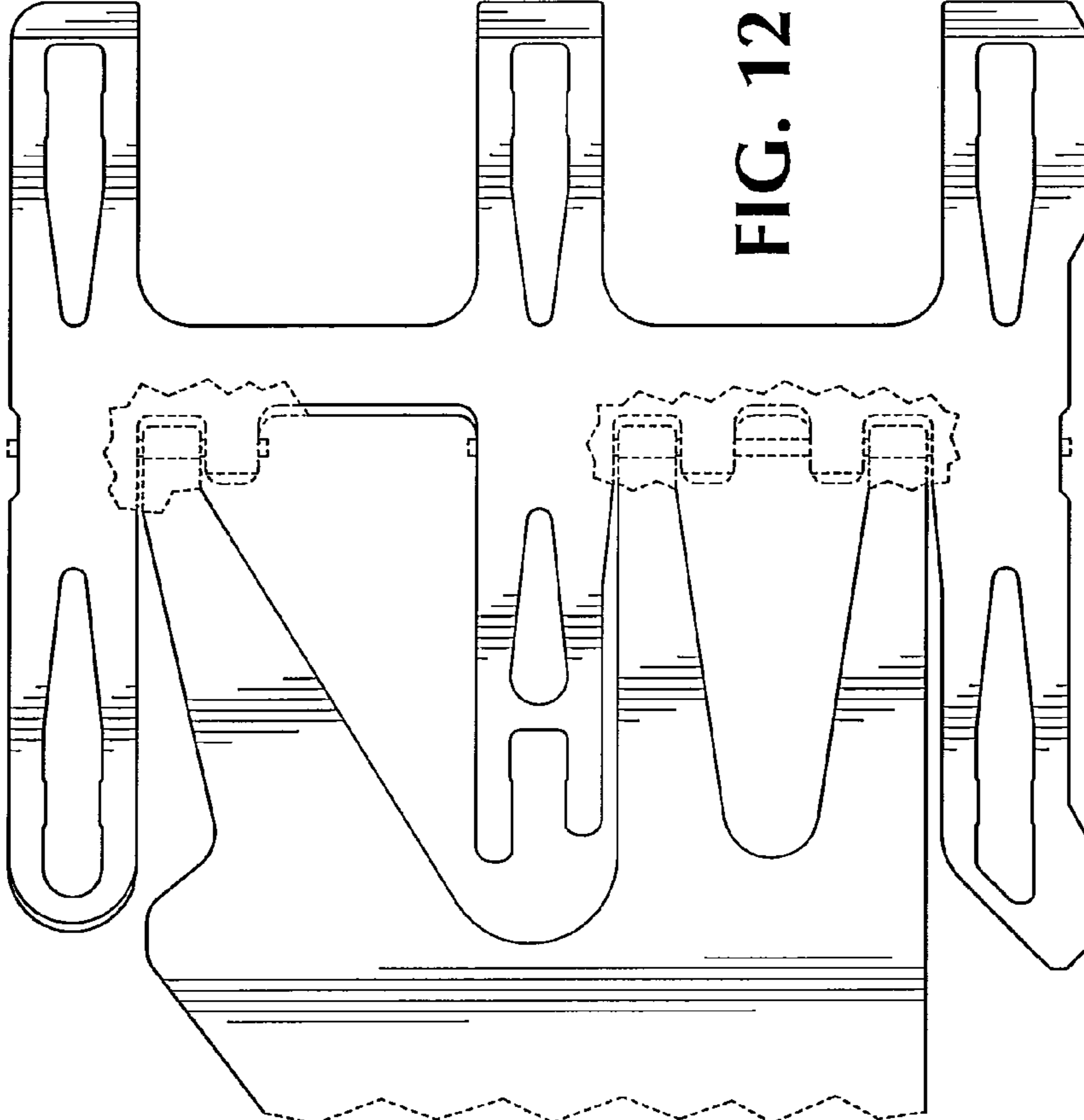


FIG. 16



FIG. 14

