



US00D702411S

(12) **United States Design Patent**
Bromm et al.

(10) **Patent No.:** **US D702,411 S**
(45) **Date of Patent:** **** Apr. 8, 2014**

- (54) **MOLDED WHEEL**
- (71) Applicants: **Scott Bromm**, Lake Geneva, WI (US);
William N. Lechner, Burlington, WI (US)
- (72) Inventors: **Scott Bromm**, Lake Geneva, WI (US);
William N. Lechner, Burlington, WI (US)
- (73) Assignee: **Poly-Flex, Inc.**, Walworth, WI (US)
- (**) Term: **14 Years**
- (21) Appl. No.: **29/442,102**
- (22) Filed: **Dec. 6, 2012**
- (51) **LOC (10) Cl.** **09-09**
- (52) **U.S. Cl.**
USPC **D34/10**
- (58) **Field of Classification Search**
USPC D34/1, 10, 11, 34; D12/211, 204, 205,
D12/501, 209, 88, 135; 280/282, 47.31,
280/87.042, DIG. 6; 188/218 XL
See application file for complete search history.

D481,588 S	11/2003	Choi	
6,896,335 B2 *	5/2005	Markling	301/64.704
6,913,324 B2 *	7/2005	Markling	301/111.01
D542,003 S	5/2007	Morris	
D570,070 S *	5/2008	Morris	D34/27
7,481,498 B1	1/2009	Morris	
D586,071 S	2/2009	Morris	
D586,072 S	2/2009	Morris	
D596,550 S	7/2009	Marquette et al.	
D625,070 S *	10/2010	Maff	D34/10
D631,223 S	1/2011	Kosheba	
D632,044 S	2/2011	Morris	
D640,439 S	6/2011	Morris	
8,037,911 B2	10/2011	Morris	
8,147,005 B2	4/2012	Morris	
D683,099 S *	5/2013	Wright et al.	D34/10

* cited by examiner

Primary Examiner — Cynthia Ramirez

(74) *Attorney, Agent, or Firm* — D L Tschida

(57) **CLAIM**

The ornamental design for a molded wheel, as shown and described.

DESCRIPTION

FIG. 1 is a perspective drawing showing a front and side views of my new design for a molded wheel.

FIG. 2 is a front view thereof;

FIG. 3 is a rear view thereof;

FIG. 4 is a cross section view taken from FIG. 3 along section lines 4-4;

FIG. 5 is a side view thereof, wherein the other side is a mirror image and wherein a spacer bushing fitted to the hub is shown in dashed line and comprises no part of the invention; and,

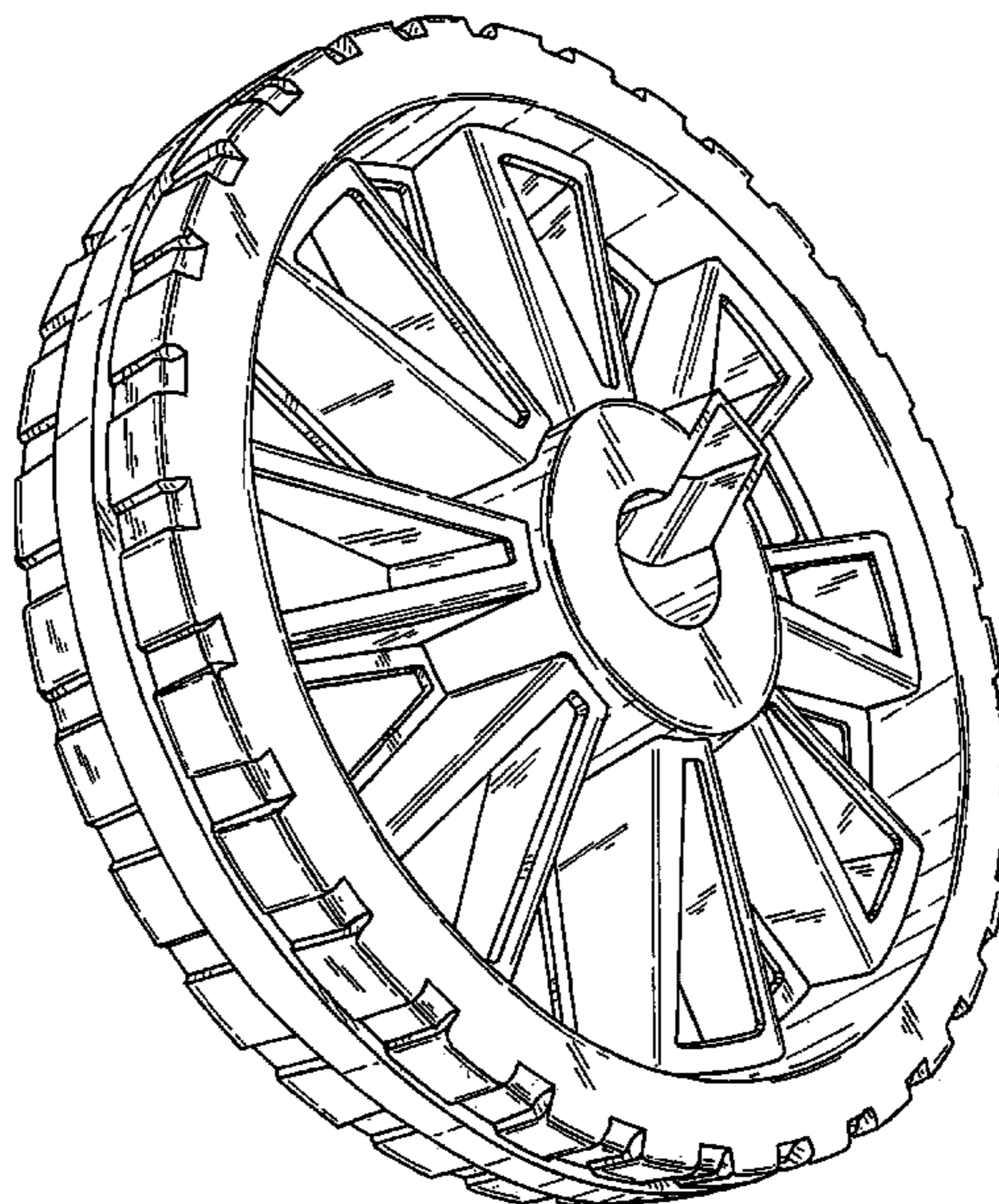
FIG. 6 is a perspective drawing showing an enlarged partial section of the wheel and wherein partial rear and side views are shown thereof.

1 Claim, 6 Drawing Sheets

(56) **References Cited**

U.S. PATENT DOCUMENTS

D276,513 S *	11/1984	Honsa	D12/501
D327,048 S *	6/1992	Markling et al.	D12/204
D328,053 S	7/1992	Markling	
5,316,377 A	5/1994	Markling et al.	
D352,687 S	11/1994	Markling	
D368,884 S	4/1996	Cole	
6,464,305 B2	10/2002	Markling	
D465,760 S	11/2002	Chung	
D470,452 S	2/2003	Flood	
6,520,597 B1 *	2/2003	Markling	301/64.701



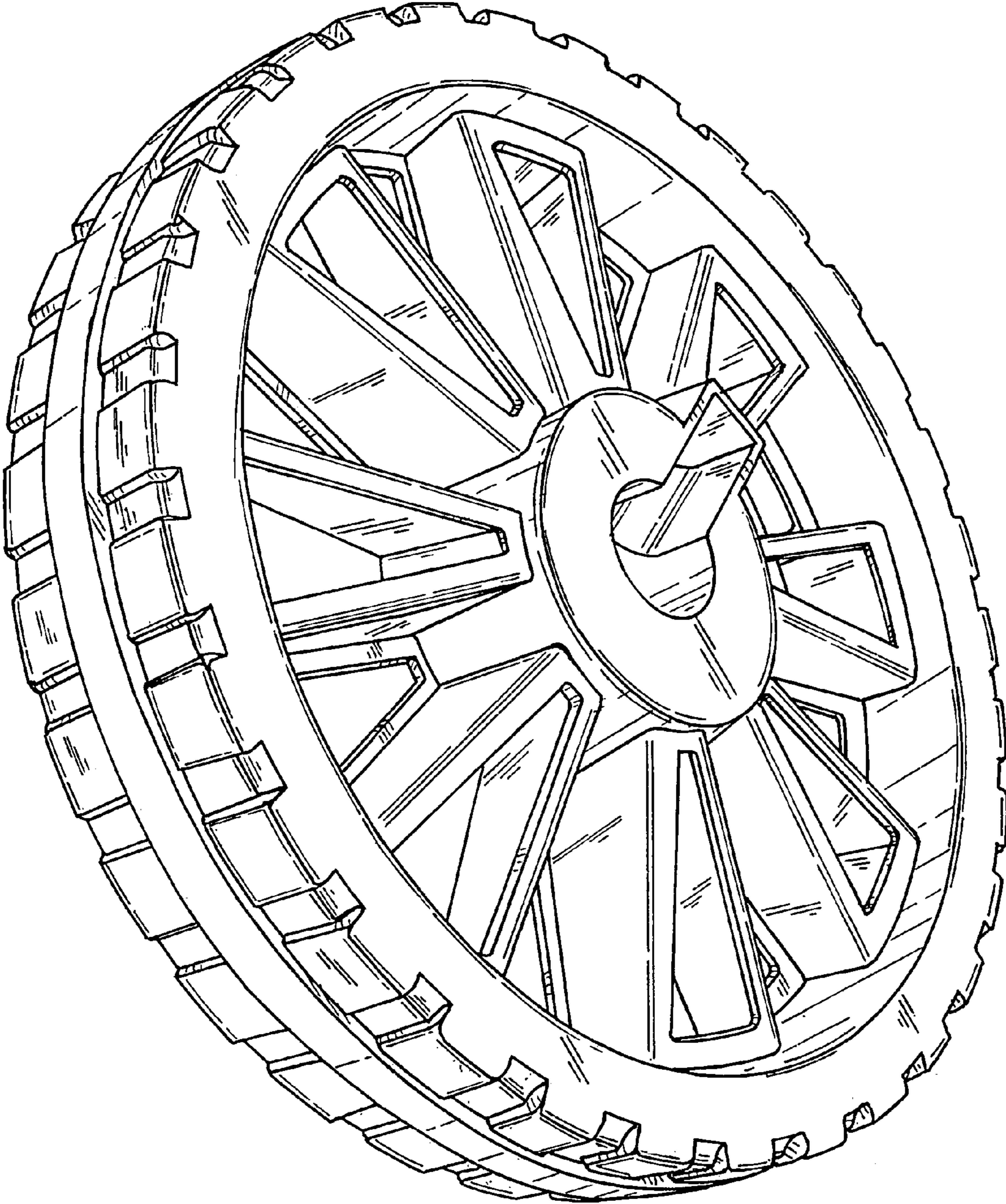


FIG. 1

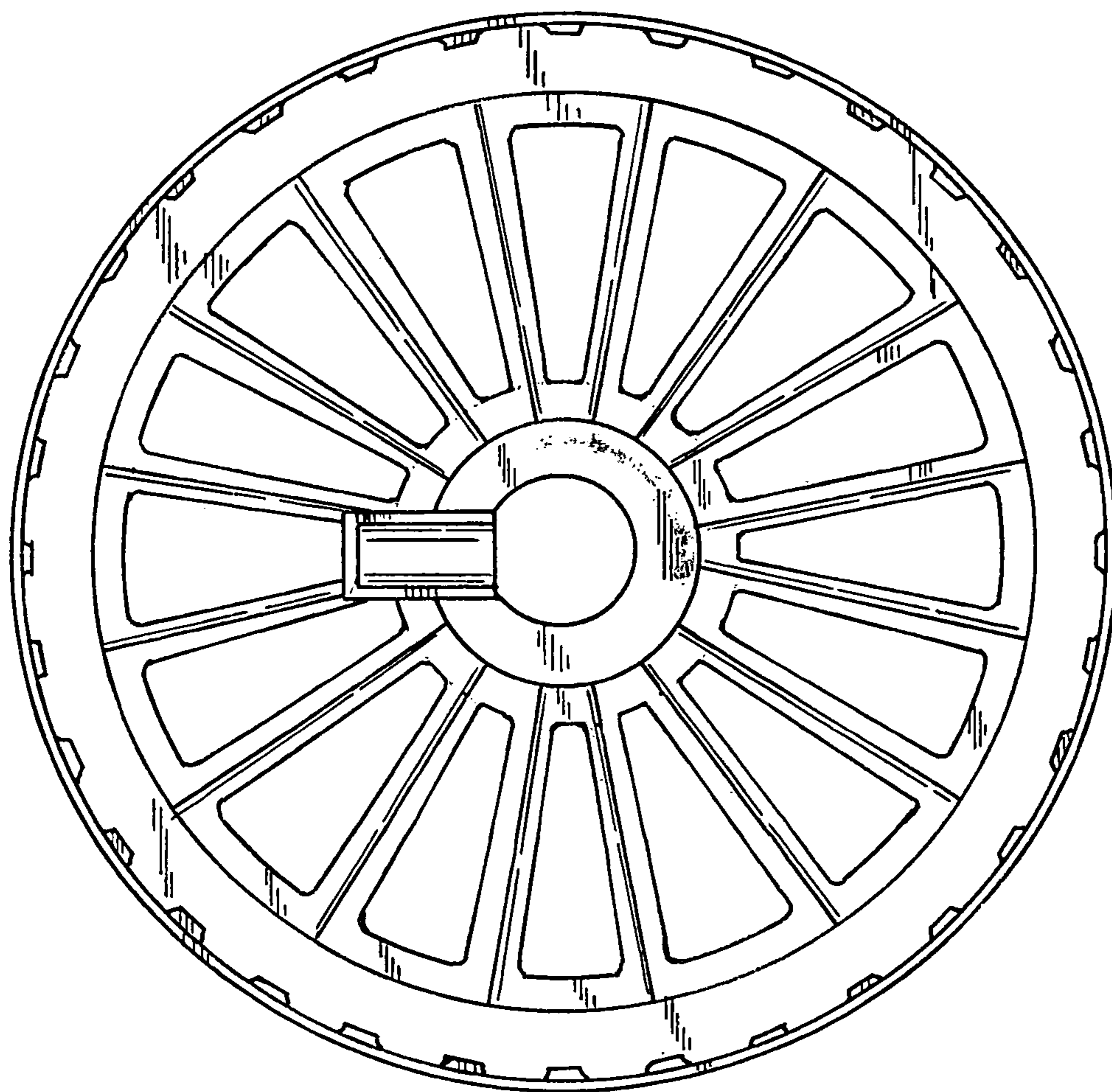


FIG. 2

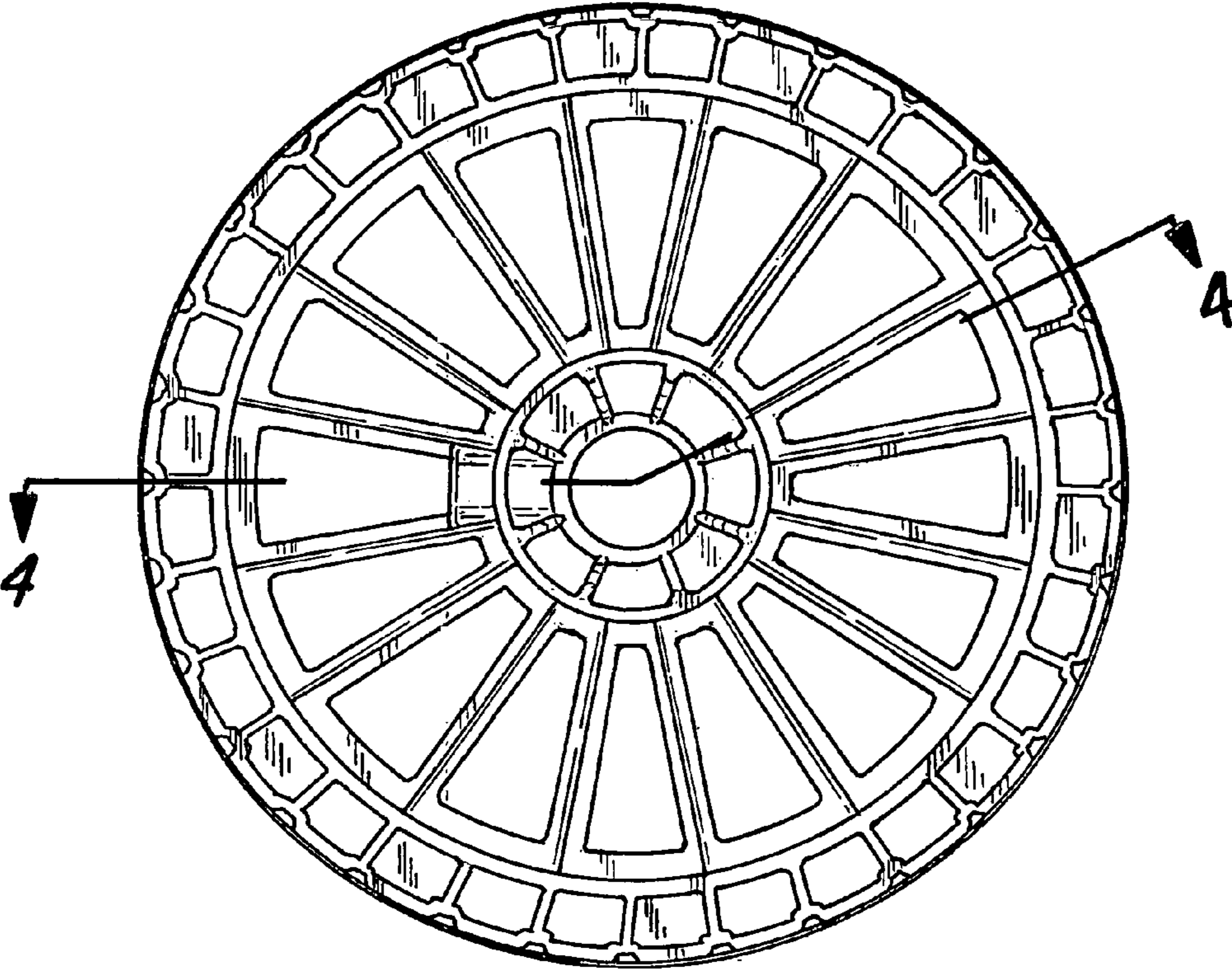


FIG. 3

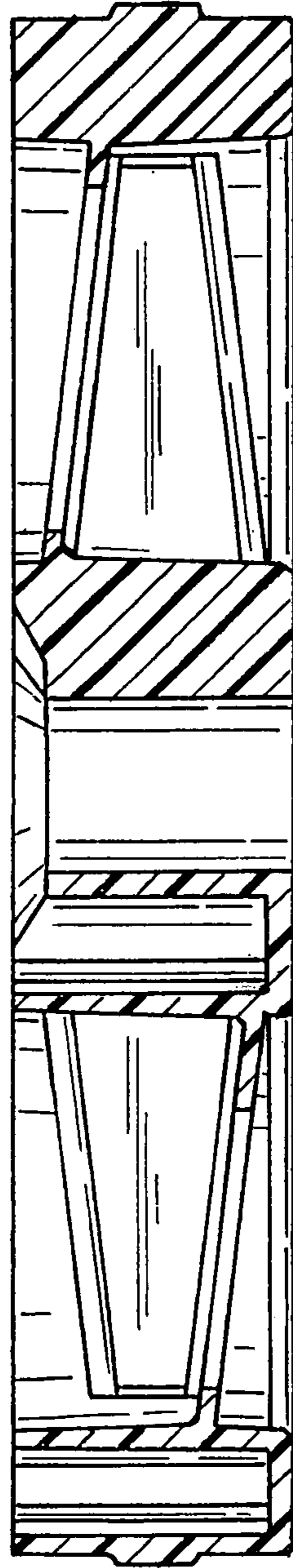


FIG. 4

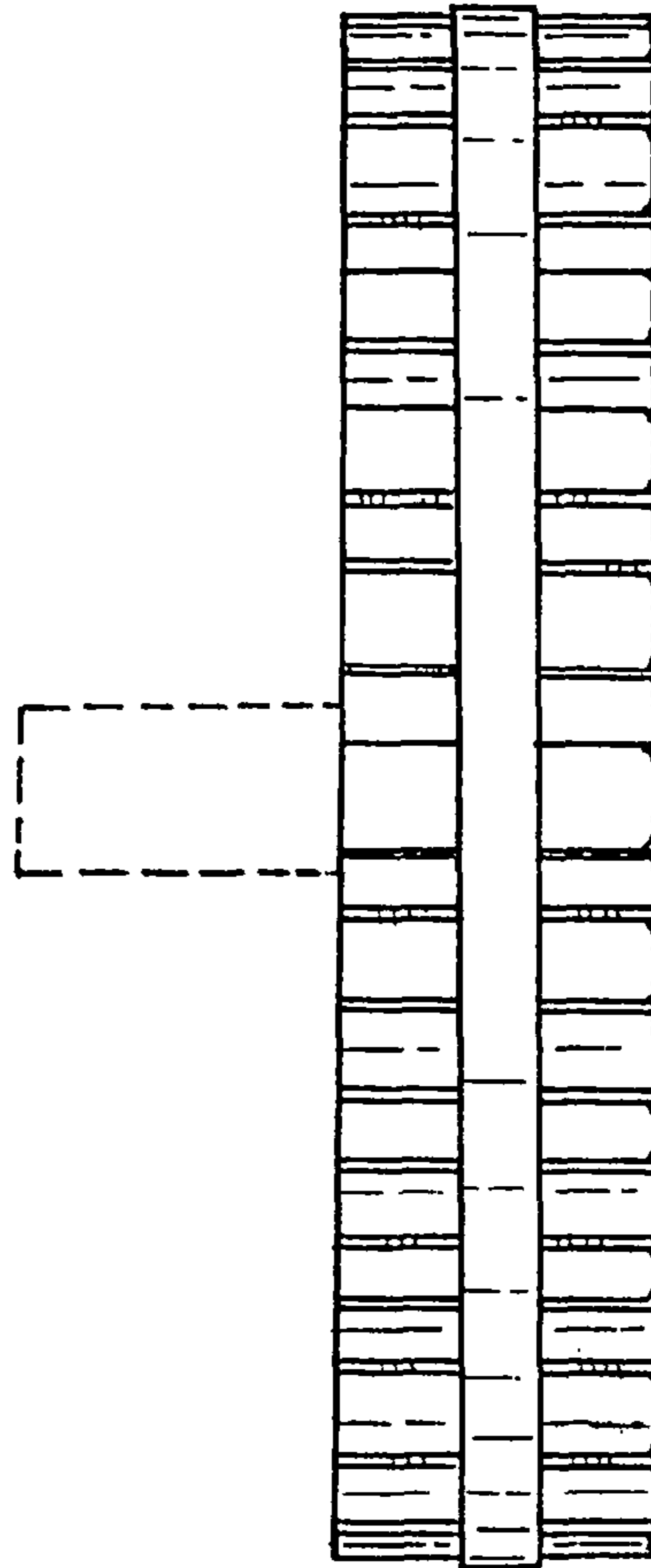


FIG. 5

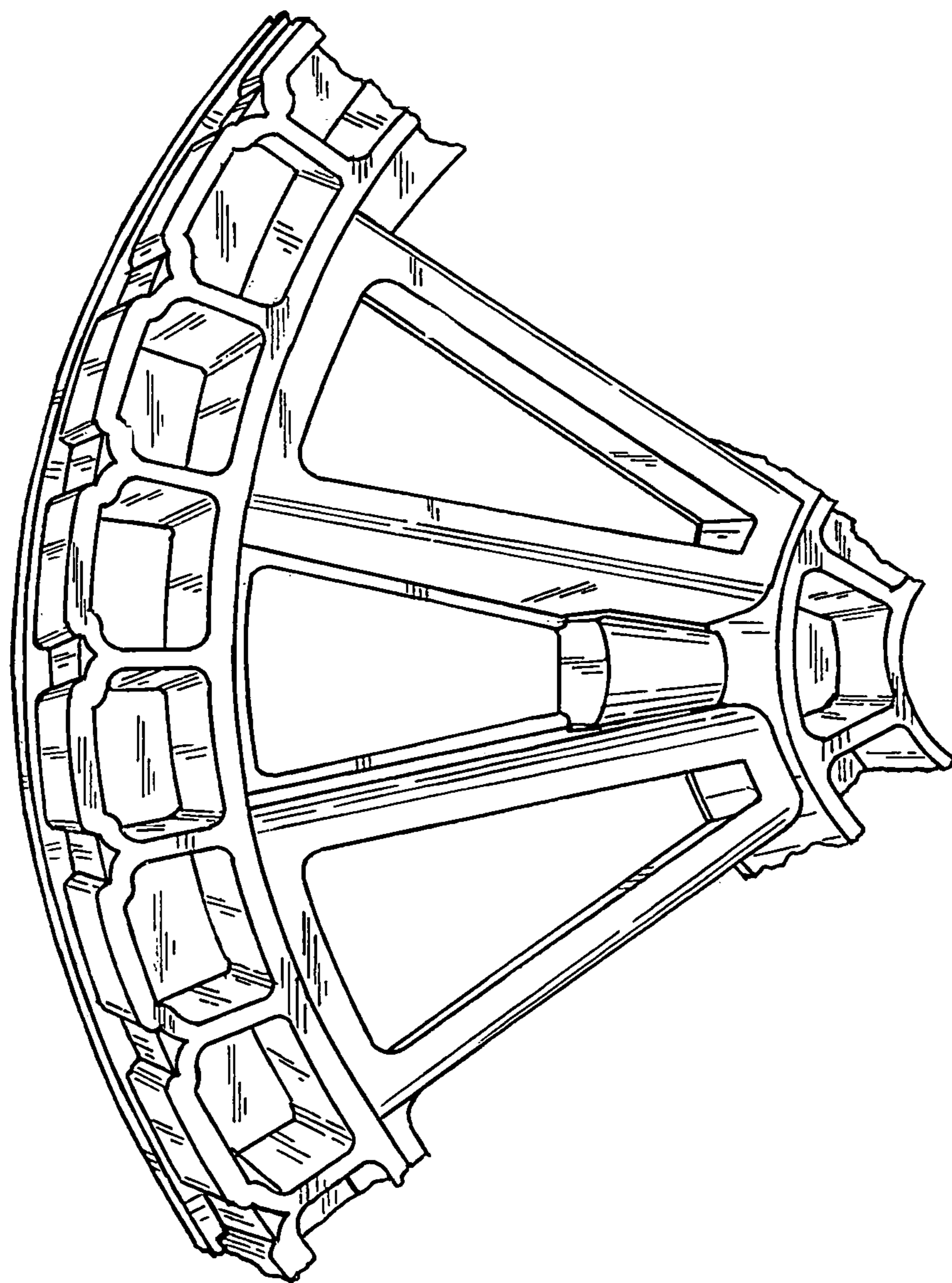


FIG. 6