



US00D702408S

(12) **United States Design Patent**
Henke

(10) **Patent No.:** **US D702,408 S**

(45) **Date of Patent:** **** Apr. 8, 2014**

(54) **ADJUSTABLE BLADE POLE SCRAPER**

(71) Applicant: **Warner Manufacturing Company,**
Minneapolis, MN (US)

(72) Inventor: **David Henke,** Maple Grove, MN (US)

(73) Assignee: **Warner Manufacturing Company,**
Minneapolis, MN (US)

(**) Term: **14 Years**

(21) Appl. No.: **29/443,940**

(22) Filed: **Jan. 24, 2013**

(51) **LOC (10) Cl.** **08-05**

(52) **U.S. Cl.**
USPC **D32/46; D32/48**

(58) **Field of Classification Search**
USPC D32/46, 48, 49; D8/14, 45, 46, 47, 105,
D8/98, 90; D7/682; 30/169, 167, 278, 280,
30/287; 15/105, 236.01–236.09, 245.1;
D4/136; 7/105

See application file for complete search history.

(56) **References Cited**

U.S. PATENT DOCUMENTS

2,241,608	A *	5/1941	Lurie	30/333
2,286,190	A *	6/1942	Abrahamsen	30/171
2,392,273	A *	1/1946	Soldani	30/171
2,632,247	A *	3/1953	Harbison	30/320
3,363,316	A *	1/1968	Skarsten	30/171
D263,364	S *	3/1982	Bruno	D32/48
D274,148	S *	6/1984	Levy	D32/48
D274,567	S *	7/1984	Levy	D32/48
D274,952	S *	7/1984	Gringer	D32/48
D291,404	S *	8/1987	Cummings et al.	D8/107
D303,861	S *	10/1989	Chen	D32/48
D305,818	S *	1/1990	Chen	D32/48

D368,999	S *	4/1996	Chen	D32/48
D381,483	S *	7/1997	Hartman	D32/48
D424,767	S *	5/2000	Shea	D32/48
D453,251	S *	1/2002	Gringer et al.	D32/48
6,629,331	B2 *	10/2003	Panfili et al.	15/236.06
D492,074	S *	6/2004	Chiu	D32/48
D517,393	S *	3/2006	Chen	D8/107
D517,895	S *	3/2006	Chen	D8/107
7,150,102	B2 *	12/2006	Gringer et al.	30/172
D555,856	S *	11/2007	Henke et al.	D32/48
D614,471	S *	4/2010	Meyer et al.	D8/107
D667,264	S *	9/2012	Rae	D7/395
D682,498	S *	5/2013	Sonne	D32/48

* cited by examiner

Primary Examiner — John Windmuller

(74) *Attorney, Agent, or Firm* — Hamre, Schuamnn, Mueller & Larson, P.C.

(57) **CLAIM**

The ornamental design for an adjustable blade pole scraper, as shown.

DESCRIPTION

FIG. 1 is a top perspective view of an adjustable blade pole scraper of the invention;

FIG. 2 is a bottom perspective view of the adjustable blade pole scraper depicted in FIG. 1;

FIG. 3 is a front view of the adjustable blade pole scraper depicted in FIG. 1;

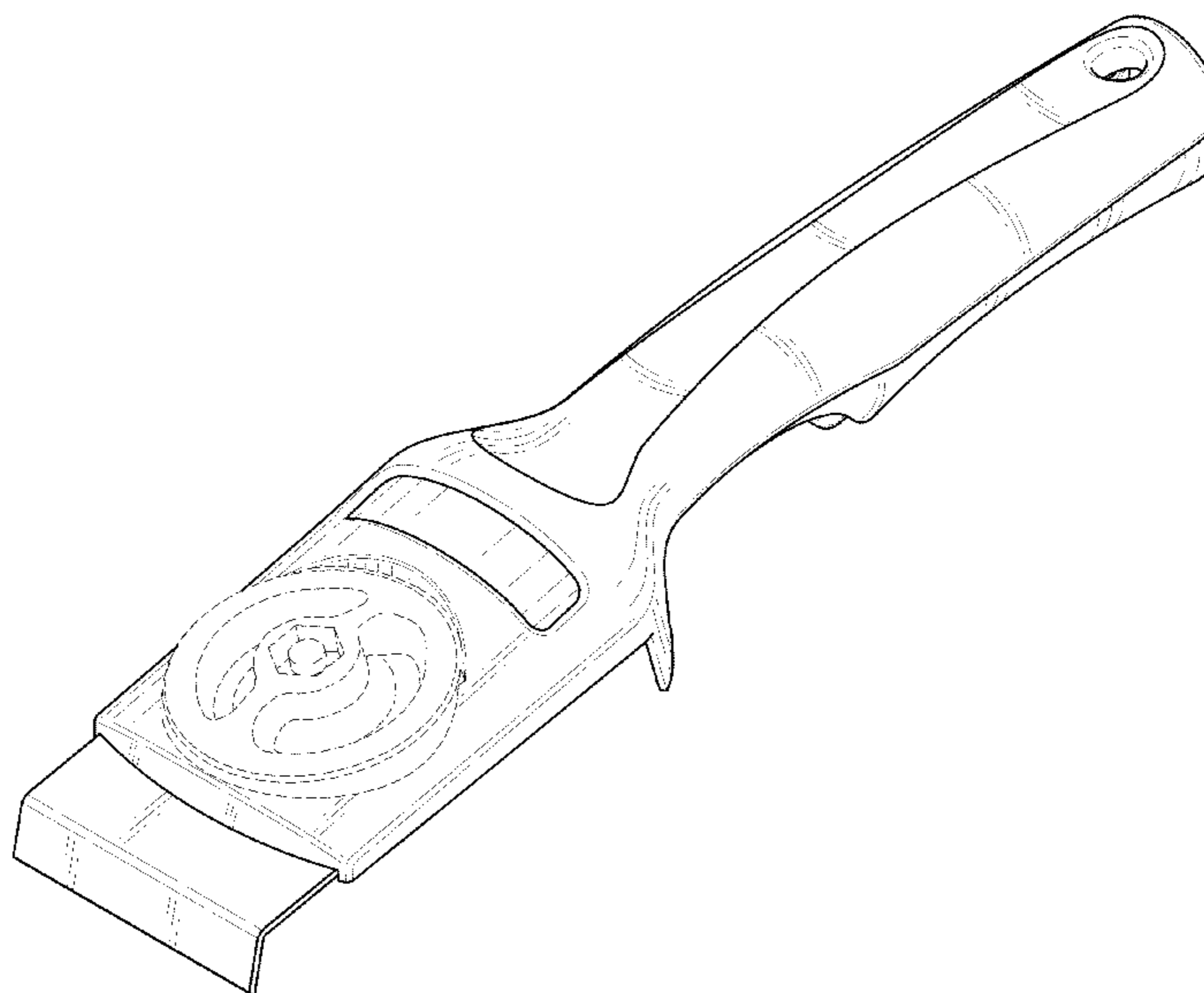
FIG. 4 is a back view of the adjustable blade pole scraper depicted in FIG. 1;

FIG. 5 is a left side view of the adjustable blade pole scraper depicted in FIG. 1;

FIG. 6 is a top view of the adjustable blade pole scraper depicted in FIG. 1; and,

FIG. 7 is a bottom view of the adjustable blade pole scraper depicted in FIG. 1.

1 Claim, 6 Drawing Sheets



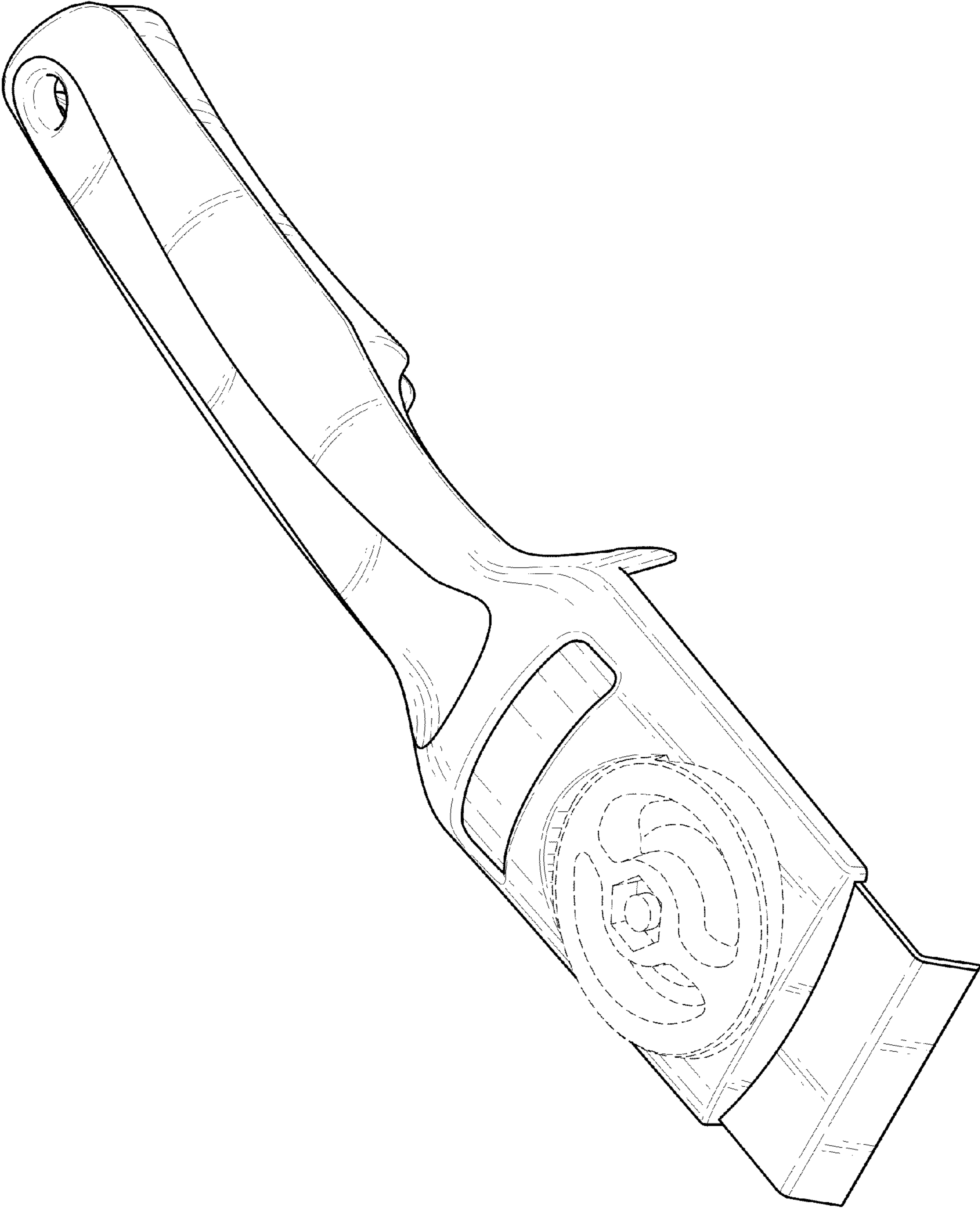


Fig. 1

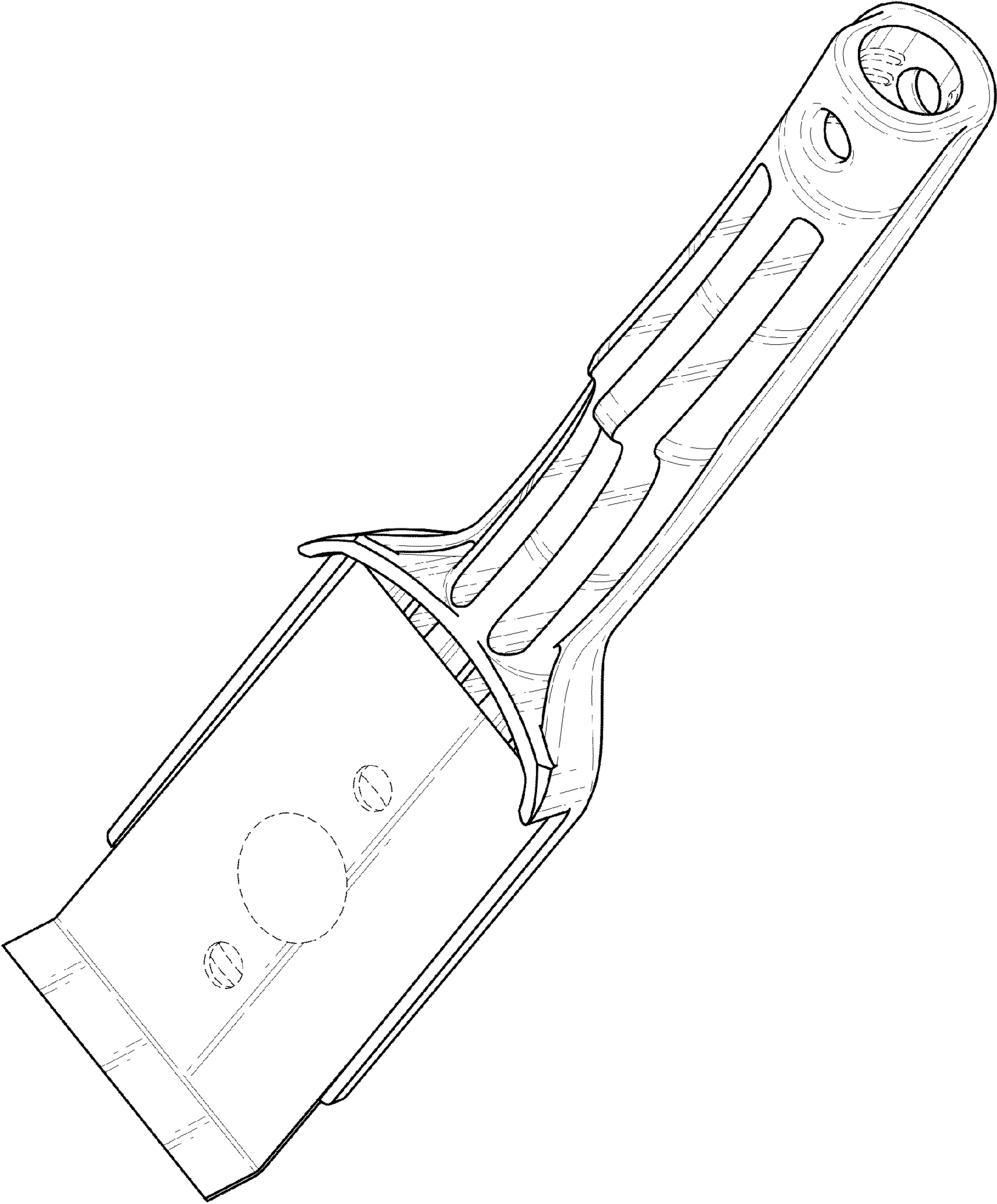


Fig. 2

Fig. 3



Fig. 4

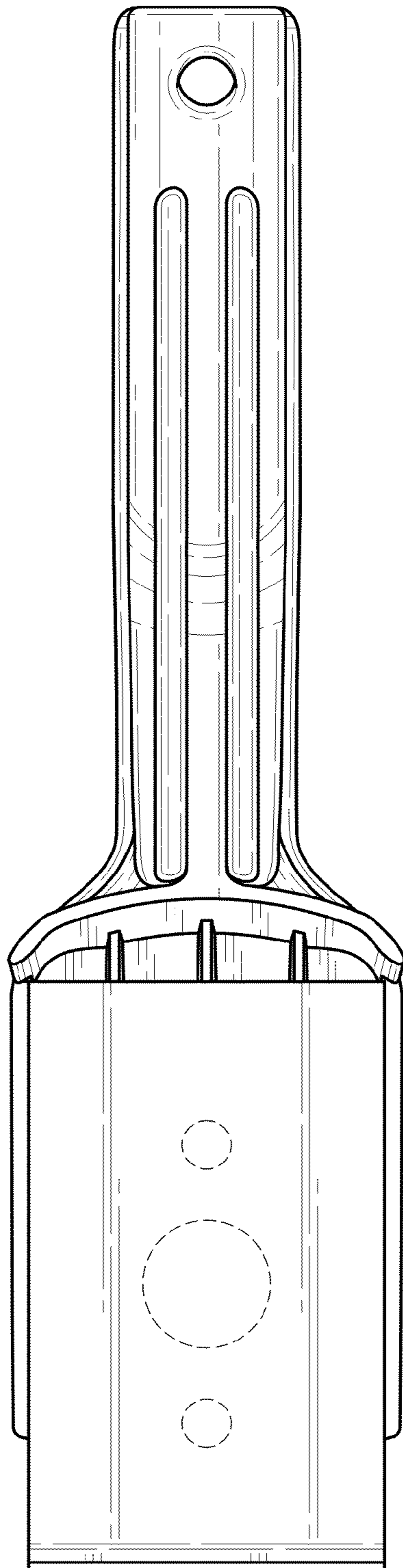


Fig. 5

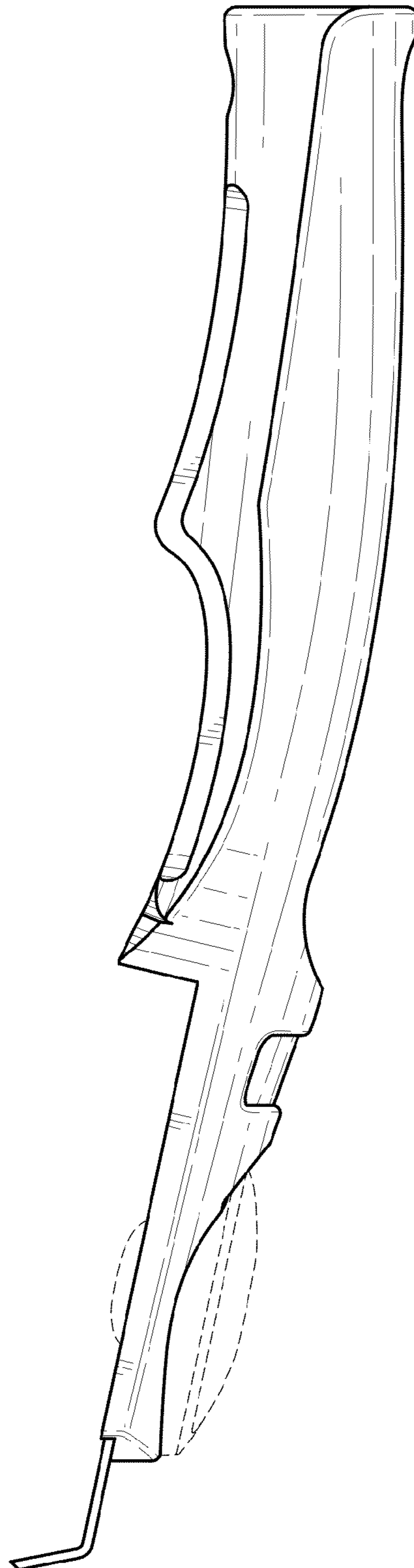


Fig. 6

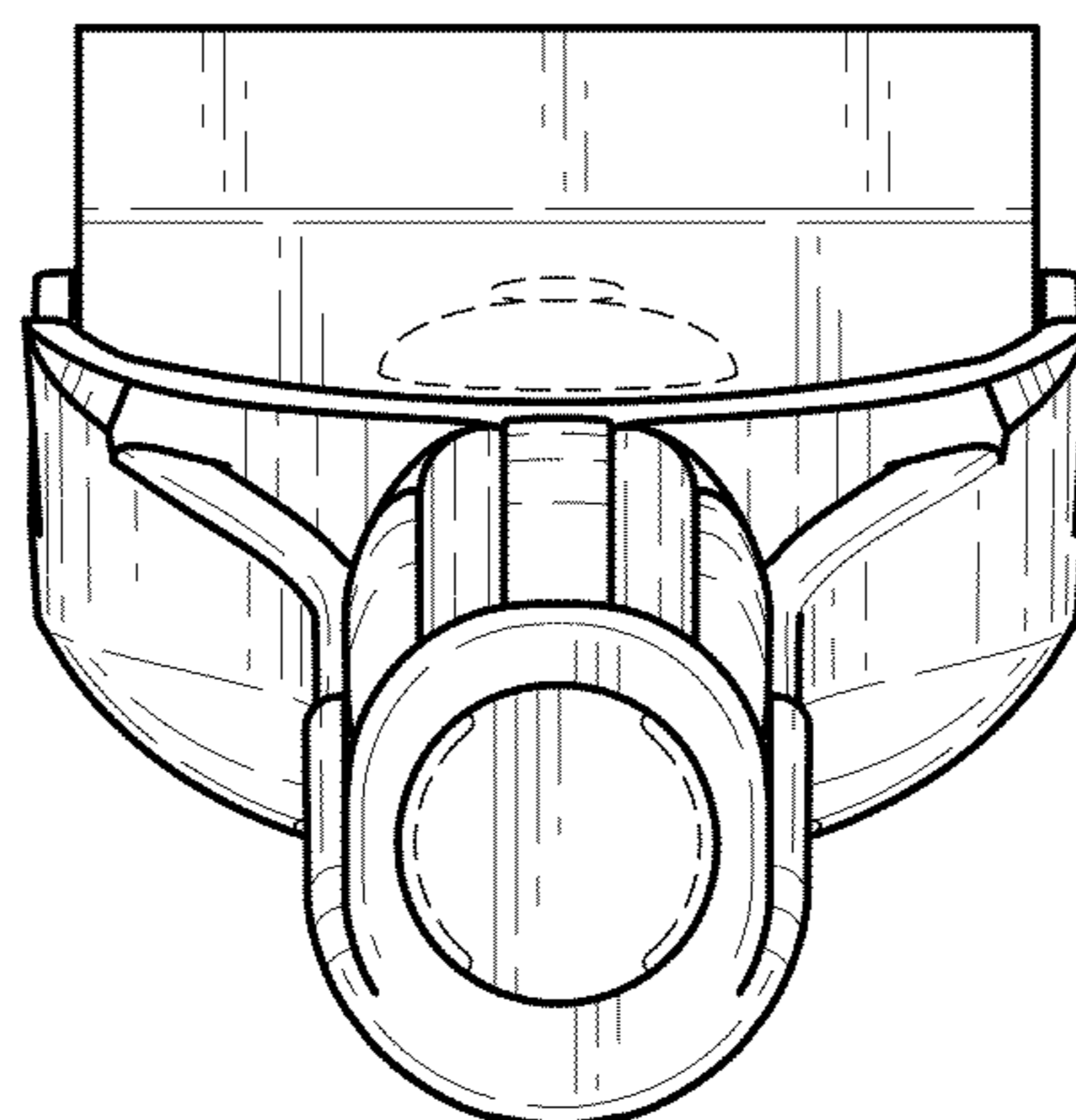


Fig. 7

