



US00D702407S

(12) **United States Design Patent**
Geyer et al.

(10) **Patent No.:** **US D702,407 S**

(45) **Date of Patent:** **** Apr. 8, 2014**

(54) **CONTROL PANEL OF WASHING AND/OR DRYING MACHINE**

(56) **References Cited**

(71) Applicant: **BSH Bosch und Siemens Hausgerate GmbH, Munich (DE)**

(72) Inventors: **Johannes Geyer, Haar (DE); Florian Metz, Unterföhring (DE); Roger Münstermann, München (DE); Carsten Weber, Aalen (DE)**

(73) Assignee: **BSH Bosch und Siemens Hausgeraete GmbH, Munich (DE)**

(**) Term: **14 Years**

(21) Appl. No.: **29/464,896**

(22) Filed: **Aug. 22, 2013**

Related U.S. Application Data

(62) Division of application No. 29/452,020, filed on Apr. 11, 2013, now Pat. No. Des. 693,974, which is a division of application No. 29/414,613, filed on Mar. 1, 2012, now Pat. No. Des. 684,740.

Foreign Application Priority Data

Sep. 2, 2011 (EM) 001293807

(51) **LOC (10) Cl.** **15-05**

(52) **U.S. Cl.**
USPC **D32/28**

(58) **Field of Classification Search**
USPC D32/1, 5-10, 25, 28; 68/3 R, 5 R, 12.01;
34/87-88, 523-524

See application file for complete search history.

U.S. PATENT DOCUMENTS

D517,257 S *	3/2006	Kim et al.	D32/6
D520,686 S *	5/2006	Jeon et al.	D32/6
D549,896 S *	8/2007	Suh	D32/6
D549,901 S *	8/2007	Kwon et al.	D32/6
D553,309 S *	10/2007	Revoldini et al.	D32/6
D559,479 S	1/2008	Kwon et al.		
D559,480 S	1/2008	Kwon et al.		
D563,062 S	2/2008	Eicher et al.		
D565,809 S	4/2008	Eicher et al.		
D571,064 S	6/2008	Eicher et al.		
D577,870 S	9/2008	Kim et al.		
D582,106 S	12/2008	Kim et al.		
D584,015 S *	12/2008	Um	D32/6
D599,508 S	9/2009	Choi et al.		
D606,715 S	12/2009	Matsusaki		

(Continued)

OTHER PUBLICATIONS

Geyer et al., Parent U.S. Appl. No. 29/452,020, filed Apr. 11, 2013.

Primary Examiner — T. Chase Nelson

Assistant Examiner — Kathleen M Sims

(74) *Attorney, Agent, or Firm* — Nixon & Vanderhye P.C.

(57) **CLAIM**

The ornamental design for a control panel of washing and/or drying machine, as shown and described.

DESCRIPTION

FIG. 1 is a front perspective view, from the top, of a control panel of washing and/or drying machine according to our new ornamental design;

FIG. 2 is a front view thereof;

FIG. 3 is a rear view thereof;

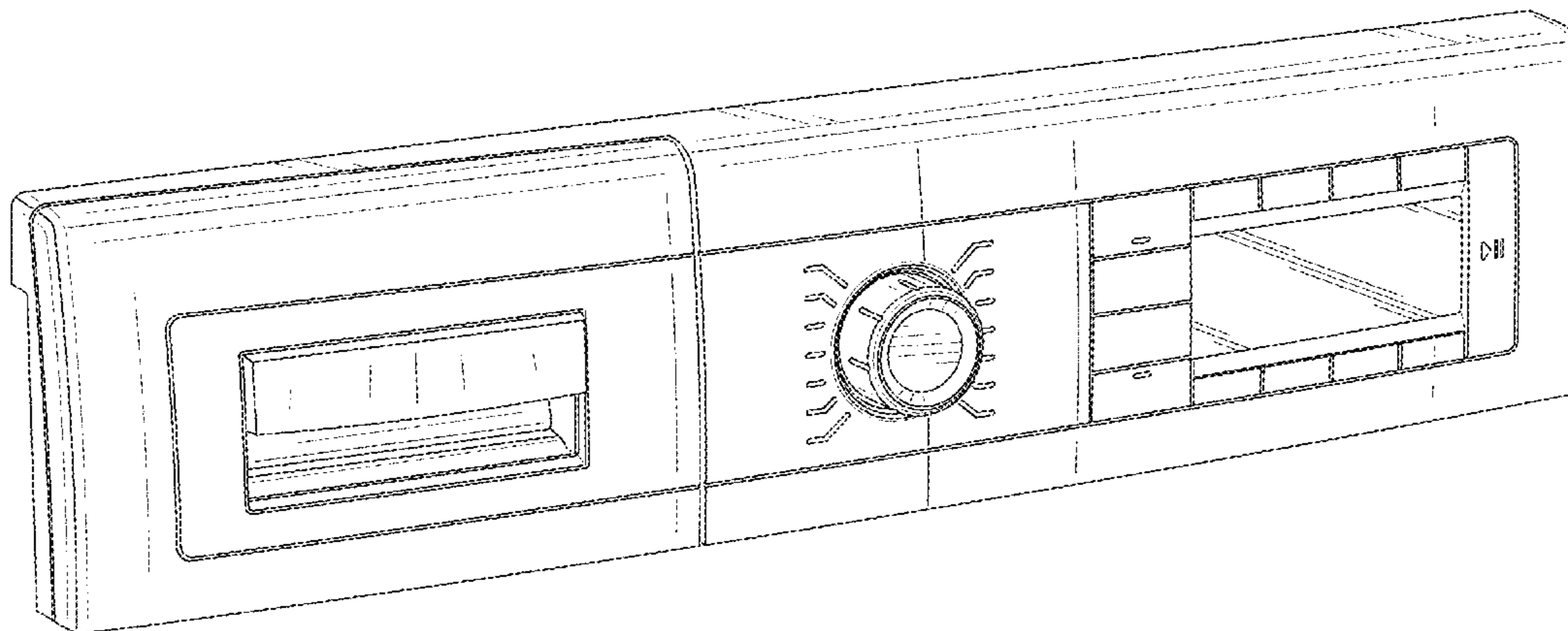
FIG. 4 is a top view thereof;

FIG. 5 is a bottom view thereof;

FIG. 6 is a left side view thereof; and,

FIG. 7 is a right hand side view thereof.

1 Claim, 4 Drawing Sheets



(56)

References Cited

U.S. PATENT DOCUMENTS

D613,010 S	3/2010	Eicher et al.	
D614,821 S *	4/2010	Cho et al.	D32/6
D616,162 S *	5/2010	Park et al.	D32/6
D618,865 S	6/2010	Cline et al.	
D619,313 S *	7/2010	Cline et al.	D32/25
D622,916 S *	8/2010	Lee	D32/6
D625,889 S *	10/2010	Lee et al.	D32/6
D631,622 S *	1/2011	Chung et al.	D32/6
D631,623 S	1/2011	Chung et al.	
D631,624 S *	1/2011	Chung et al.	D32/6
D633,262 S	2/2011	Jeon et al.	
D635,727 S	4/2011	Jeon et al.	
7,934,404 B2 *	5/2011	Ha	68/196
D640,020 S	6/2011	Helot et al.	
D655,543 S	3/2012	Beck	
8,347,657 B2 *	1/2013	Kim et al.	68/12.01
D675,793 S *	2/2013	Geyer et al.	D32/6
8,438,878 B2 *	5/2013	Choi et al.	68/3 R
D684,740 S	6/2013	Geyer et al.	
D688,013 S *	8/2013	Kim et al.	D32/6
2007/0209403 A1	9/2007	Byun et al.	
2009/0282874 A1	11/2009	Lee et al.	

* cited by examiner

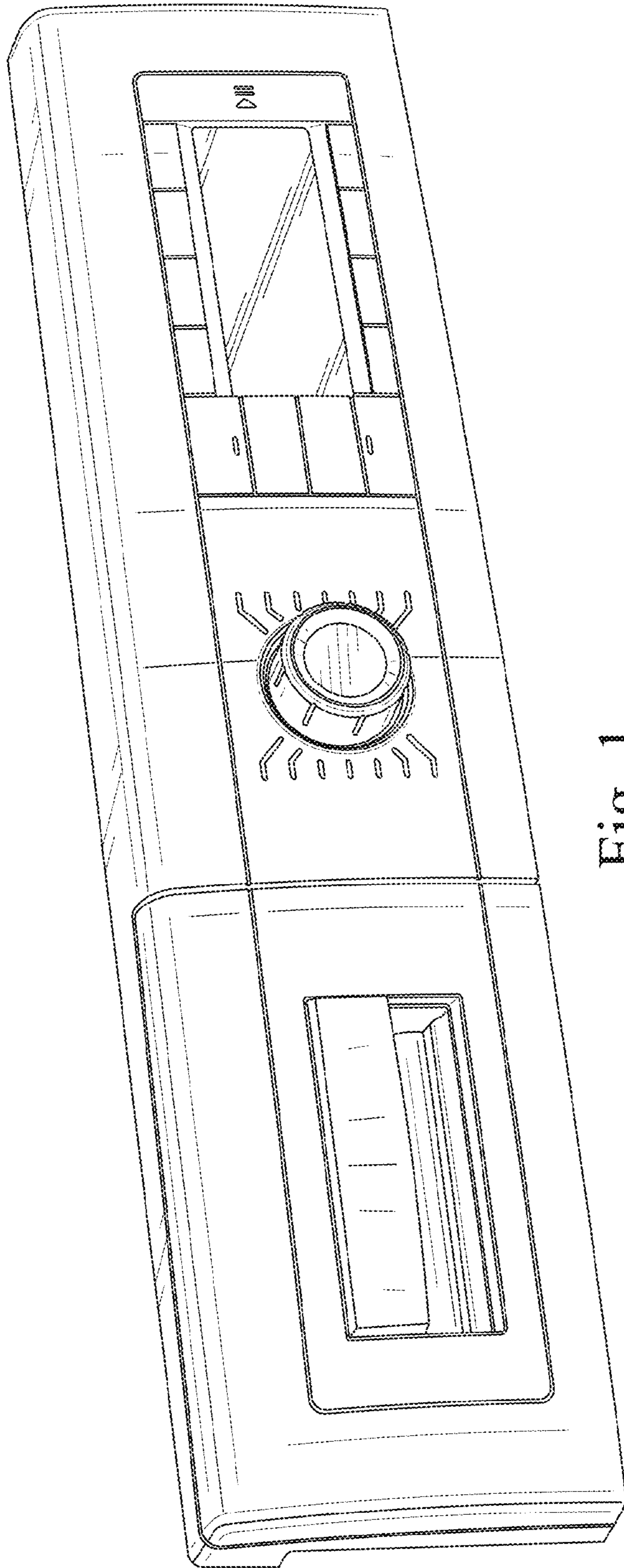


Fig. 1

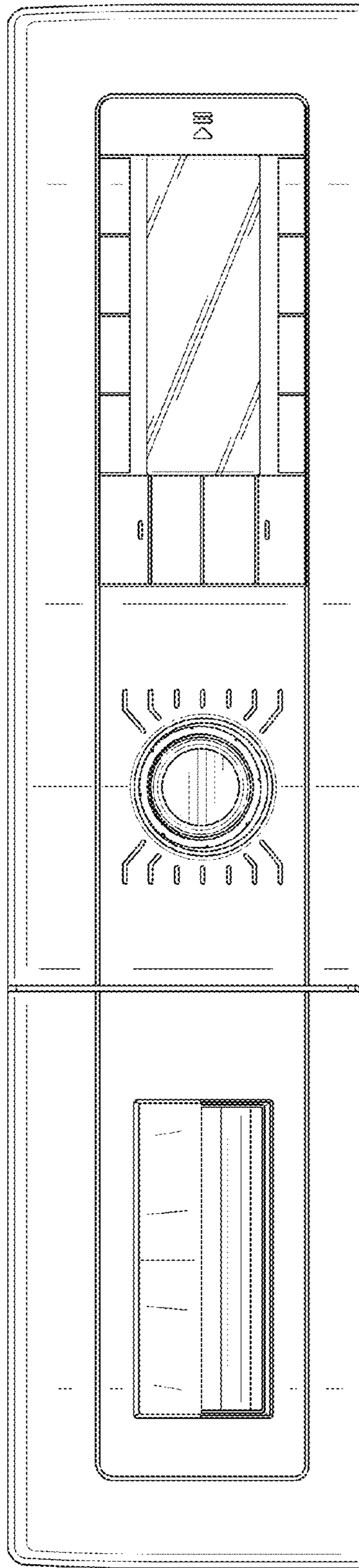


Fig. 2

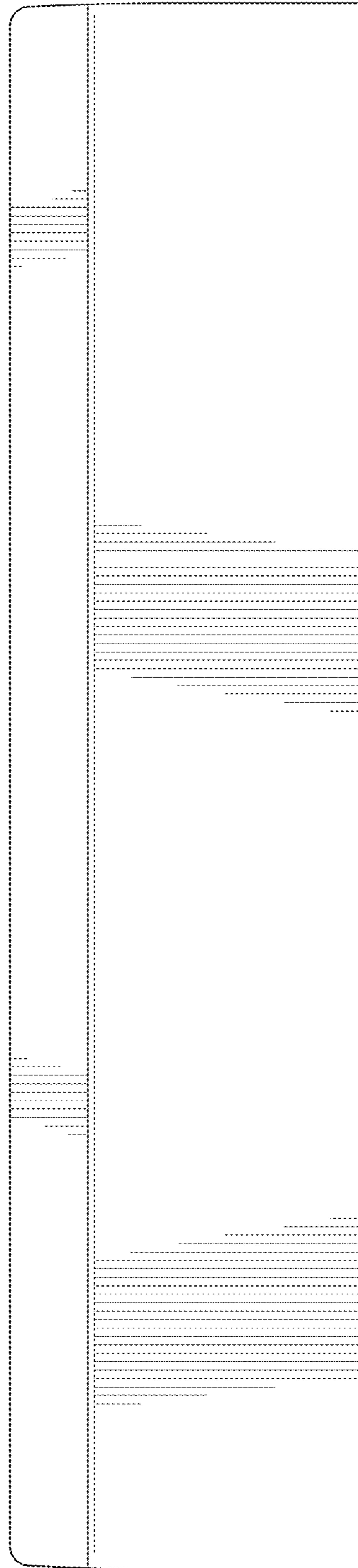


Fig. 3

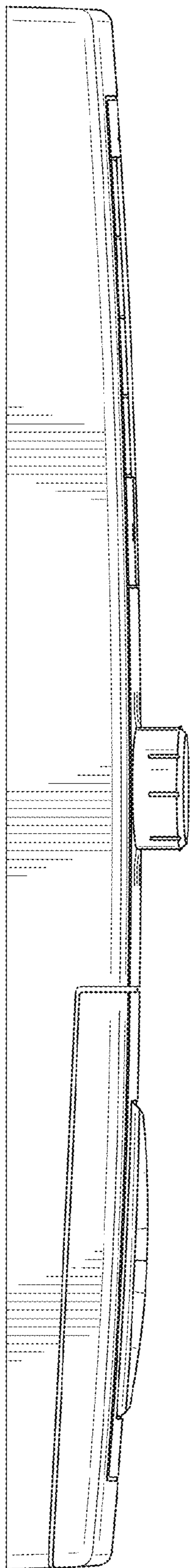


Fig. 4

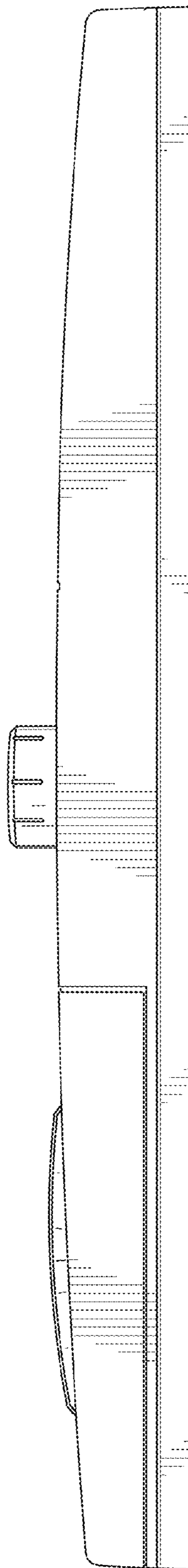


Fig. 5

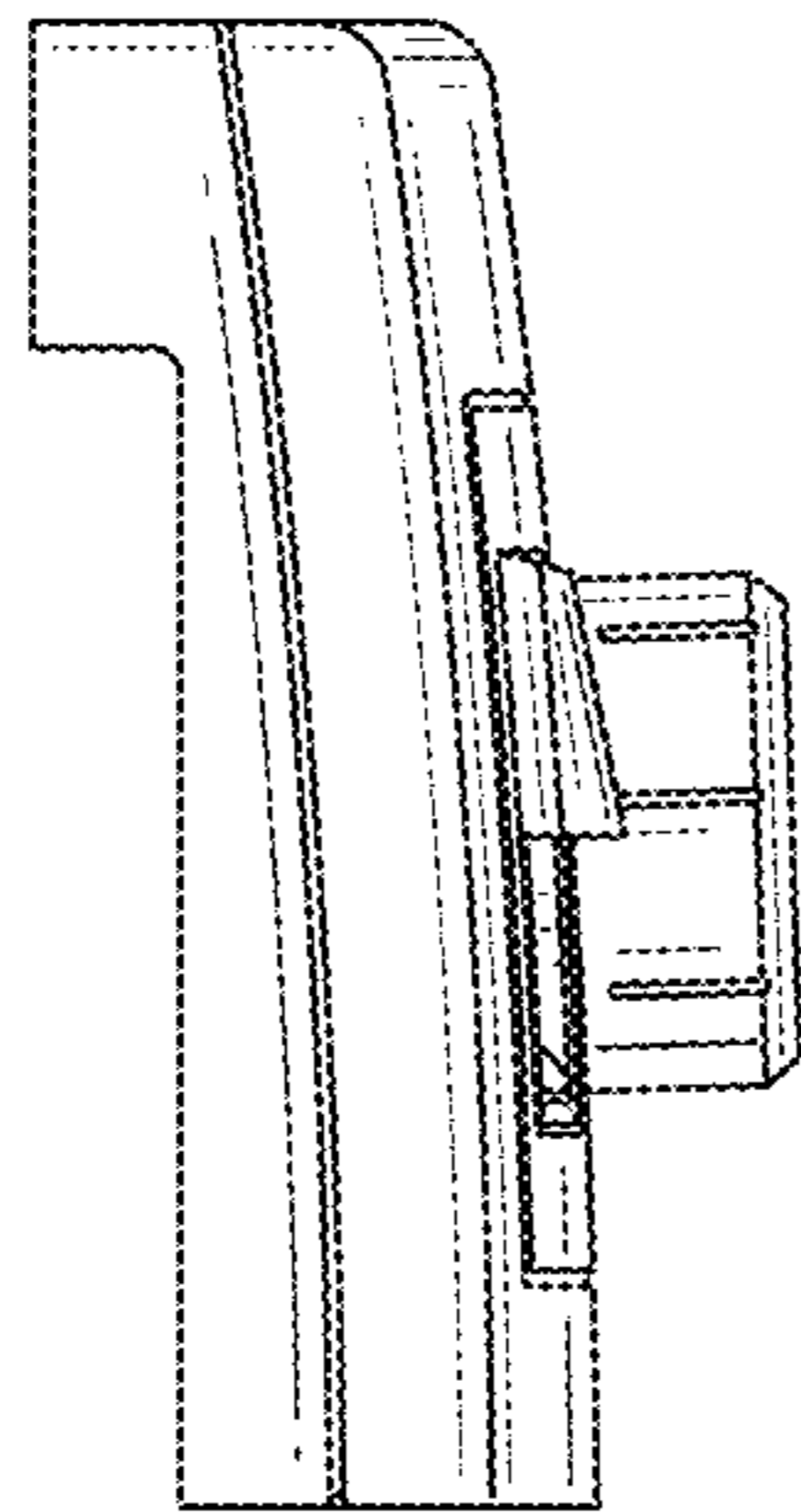


Fig. 6

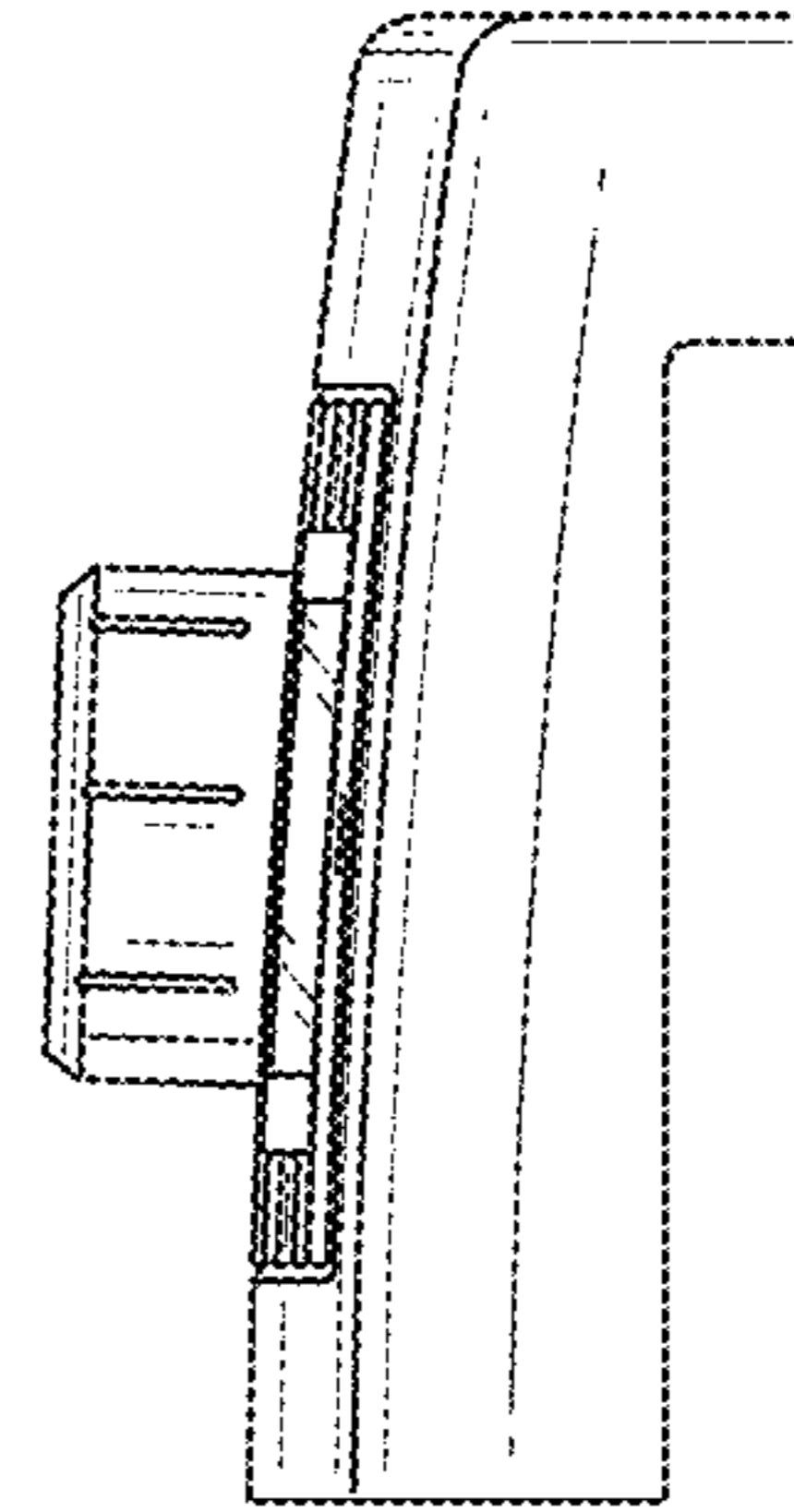


Fig. 7