



US00D702406S

(12) **United States Design Patent**
Mu

(10) **Patent No.:** **US D702,406 S**

(45) **Date of Patent:** **** Apr. 8, 2014**

- (54) **HAND-HELD STEAM CLEANER**
- (71) Applicant: **Richard Mu**, Eugene, OR (US)
- (72) Inventor: **Richard Mu**, Eugene, OR (US)
- (73) Assignee: **Salmax LLC**, Scottsdale, AZ (US)
- (**) Term: **14 Years**

D620,208	S	*	7/2010	Mangano	D32/17
D620,651	S	*	7/2010	Enervold	D32/17
D623,363	S	*	9/2010	Ediger et al.	D32/17
D634,493	S	*	3/2011	Breit	D32/17
D656,693	S	*	3/2012	Lavy	D32/17
D674,564	S	*	1/2013	Mangano	D32/17
8,458,853	B2	*	6/2013	Charlton et al.	15/321
2005/0125934	A1	*	6/2005	Reese	15/320
2010/0024492	A1	*	2/2010	Leung	68/222

* cited by examiner

- (21) Appl. No.: **29/462,081**
- (22) Filed: **Jul. 30, 2013**
- (51) **LOC (10) Cl.** **15-05**
- (52) **U.S. Cl.**
USPC **D32/17**
- (58) **Field of Classification Search**
USPC D32/17-18, 31-33, 50; 15/344,
15/320-322, 415.1-422, 422.1;
392/404-405; 134/198; 38/69, 77.83;
68/5 R, 5 A, 222; 239/583
See application file for complete search history.

Primary Examiner — Ruth McInroy

(74) *Attorney, Agent, or Firm* — Hartman Titus PLC; Joseph W Mott

(56) **References Cited**

U.S. PATENT DOCUMENTS

D447,841	S	*	9/2001	Rosa	D32/17
D452,051	S	*	12/2001	Antonio	D32/17
D481,183	S	*	10/2003	Mangano	D32/35
D482,505	S	*	11/2003	Chow	D32/17
D485,651	S	*	1/2004	Lin	D32/17
D488,269	S	*	4/2004	Tsai	D32/17
7,237,409	B2	*	7/2007	Lin	68/222

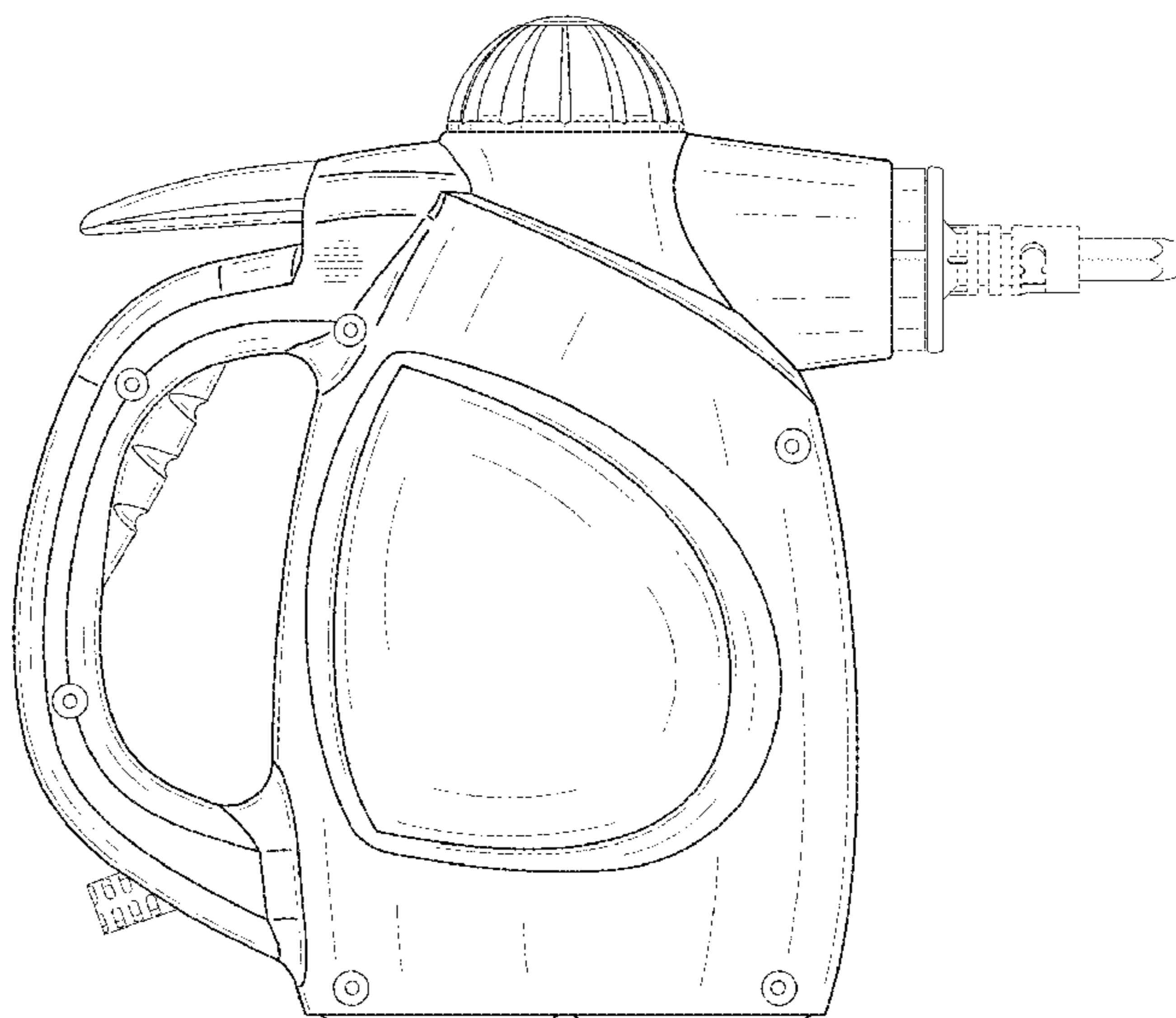
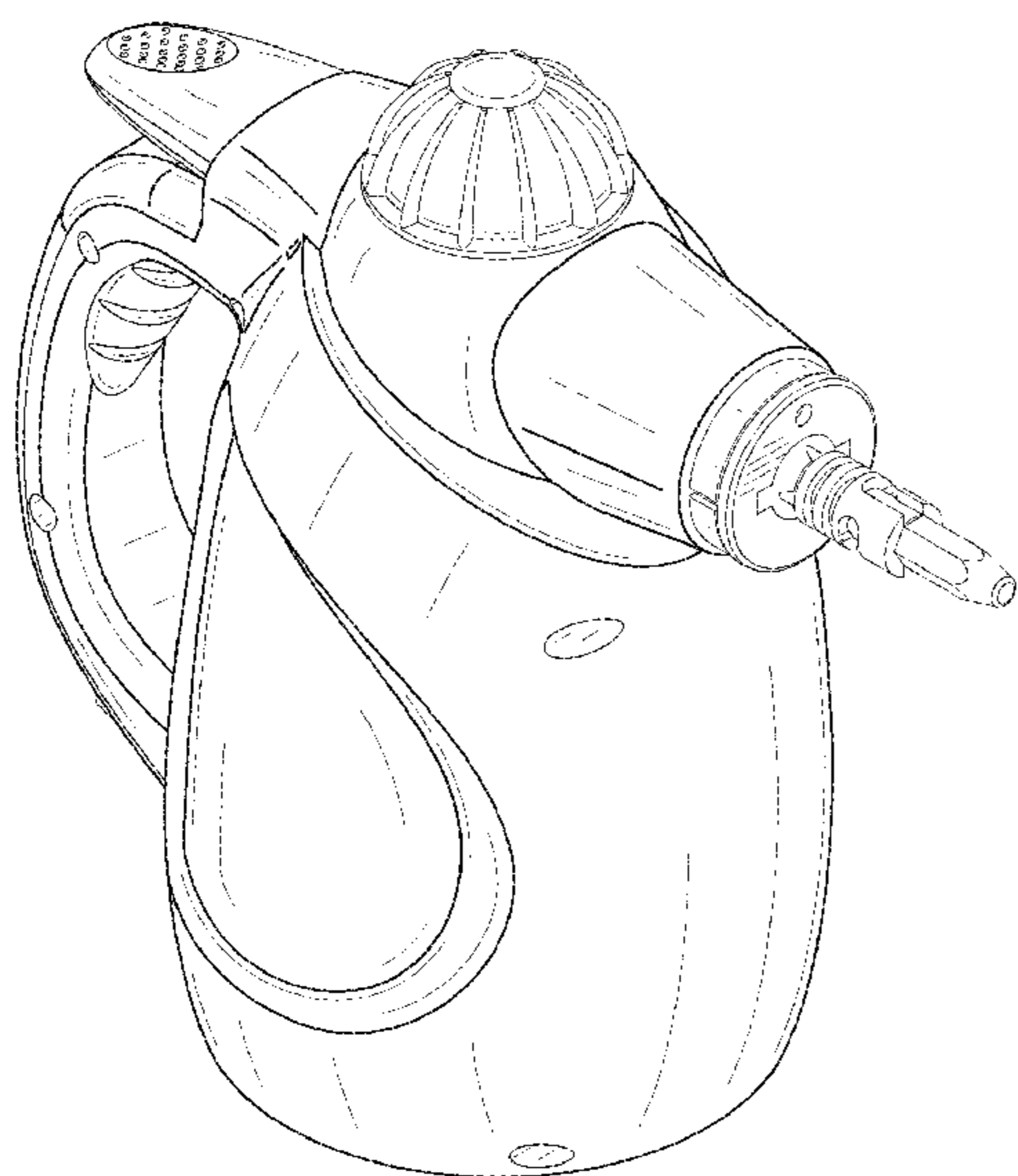
(57) **CLAIM**

the ornamental design for a hand-held steam cleaner, as shown and described.

DESCRIPTION

FIG. 1 is a top front perspective view of a hand-held steam cleaner showing my new design.
 FIG. 2 is a bottom rear perspective view thereof.
 FIG. 3 is a front elevational view thereof.
 FIG. 4 is a rear elevational view thereof.
 FIG. 5 is a right side elevational view thereof.
 FIG. 6 is a left side elevational view thereof.
 FIG. 7 is a top plan view thereof; and,
 FIG. 8 is a bottom plan view thereof.

1 Claim, 7 Drawing Sheets



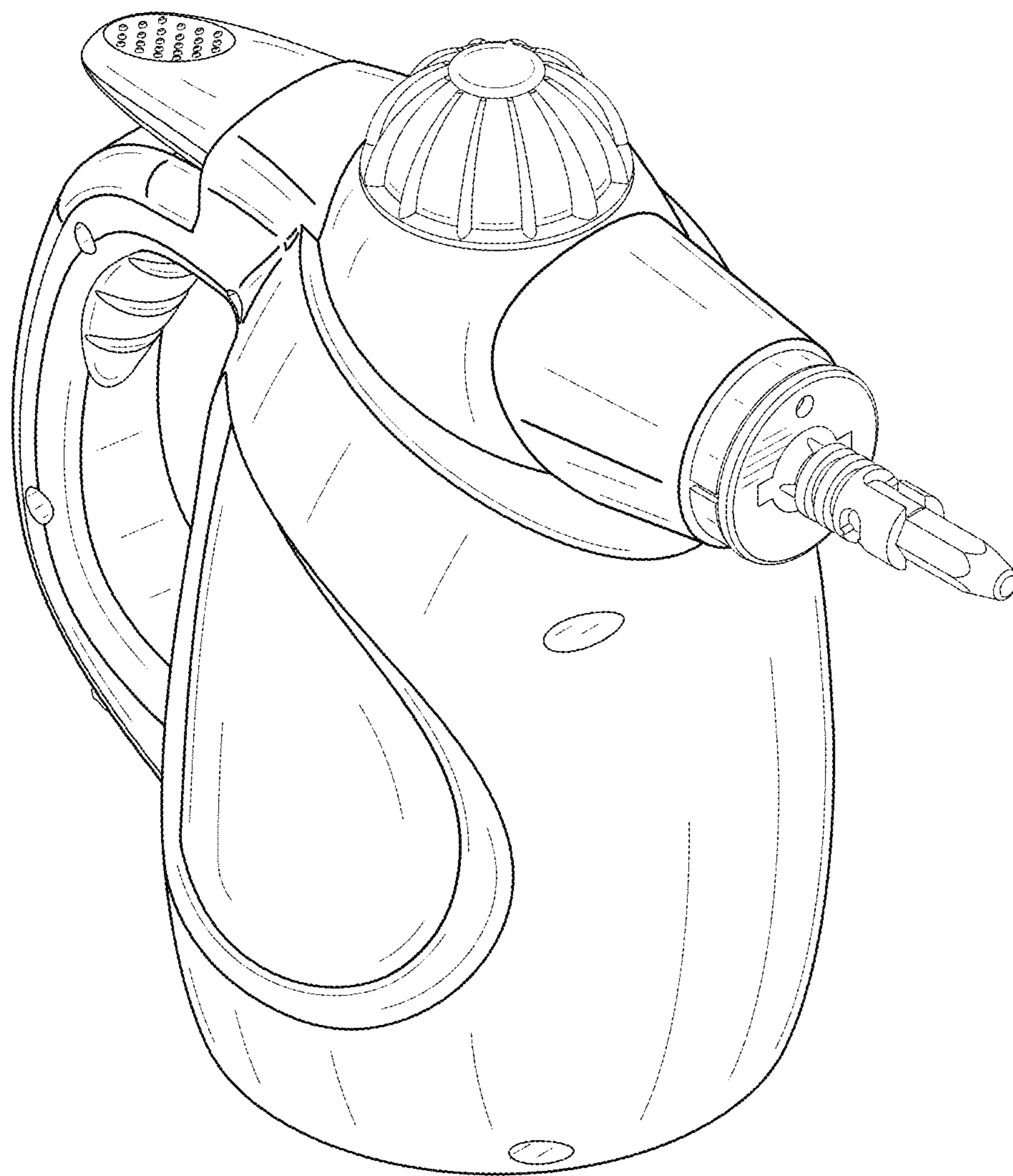


FIG. 1

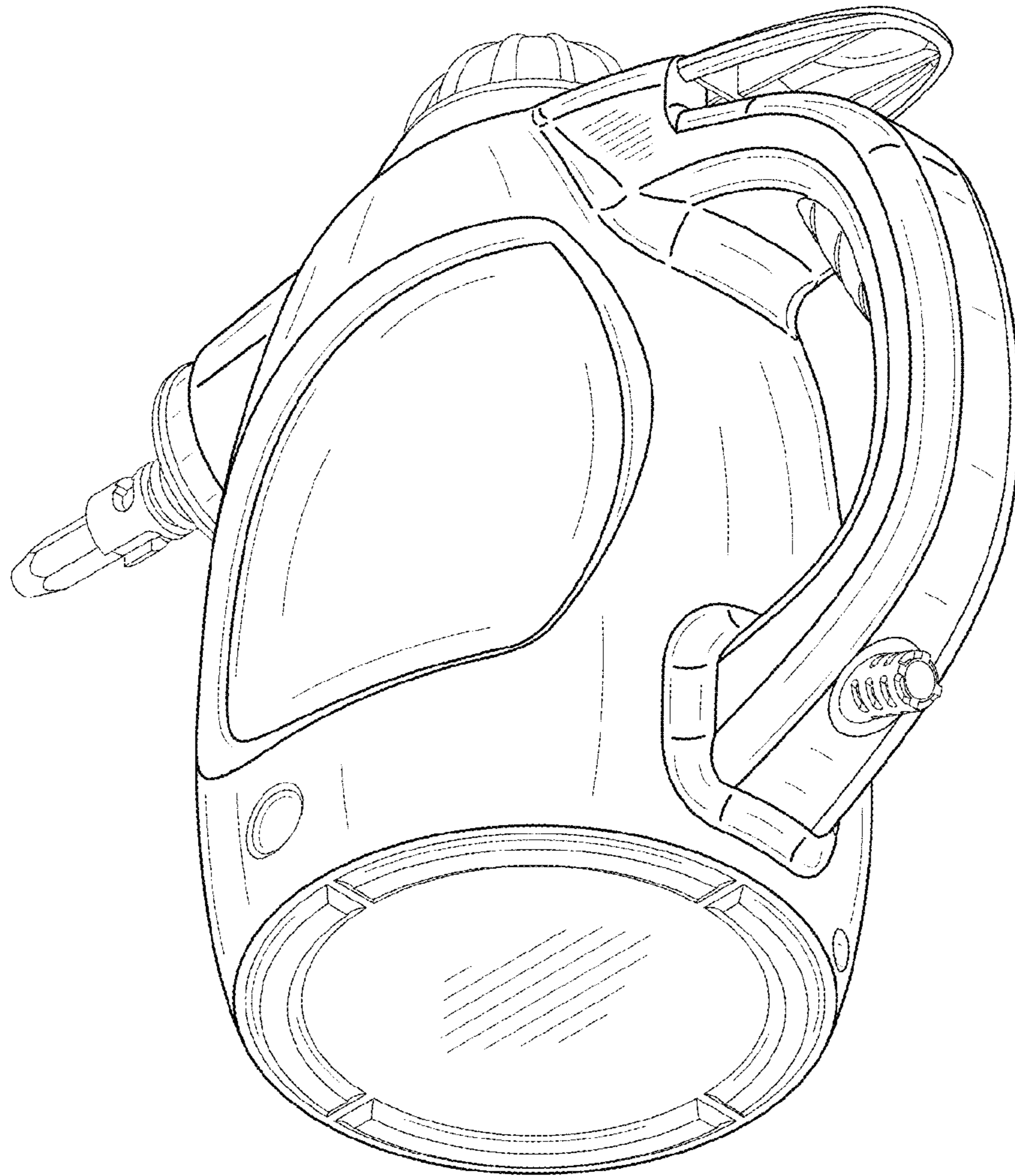


FIG. 2

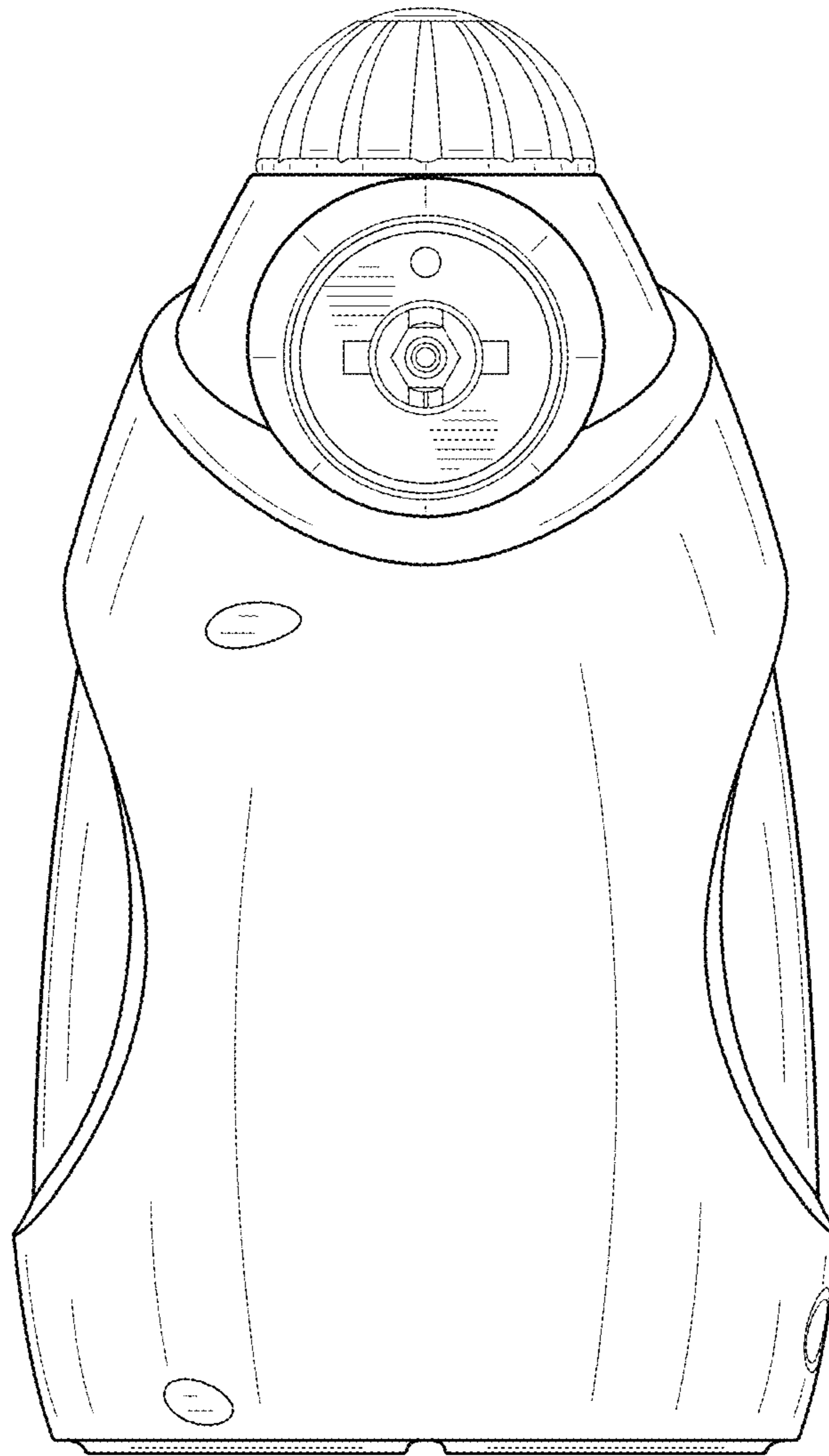


FIG. 3

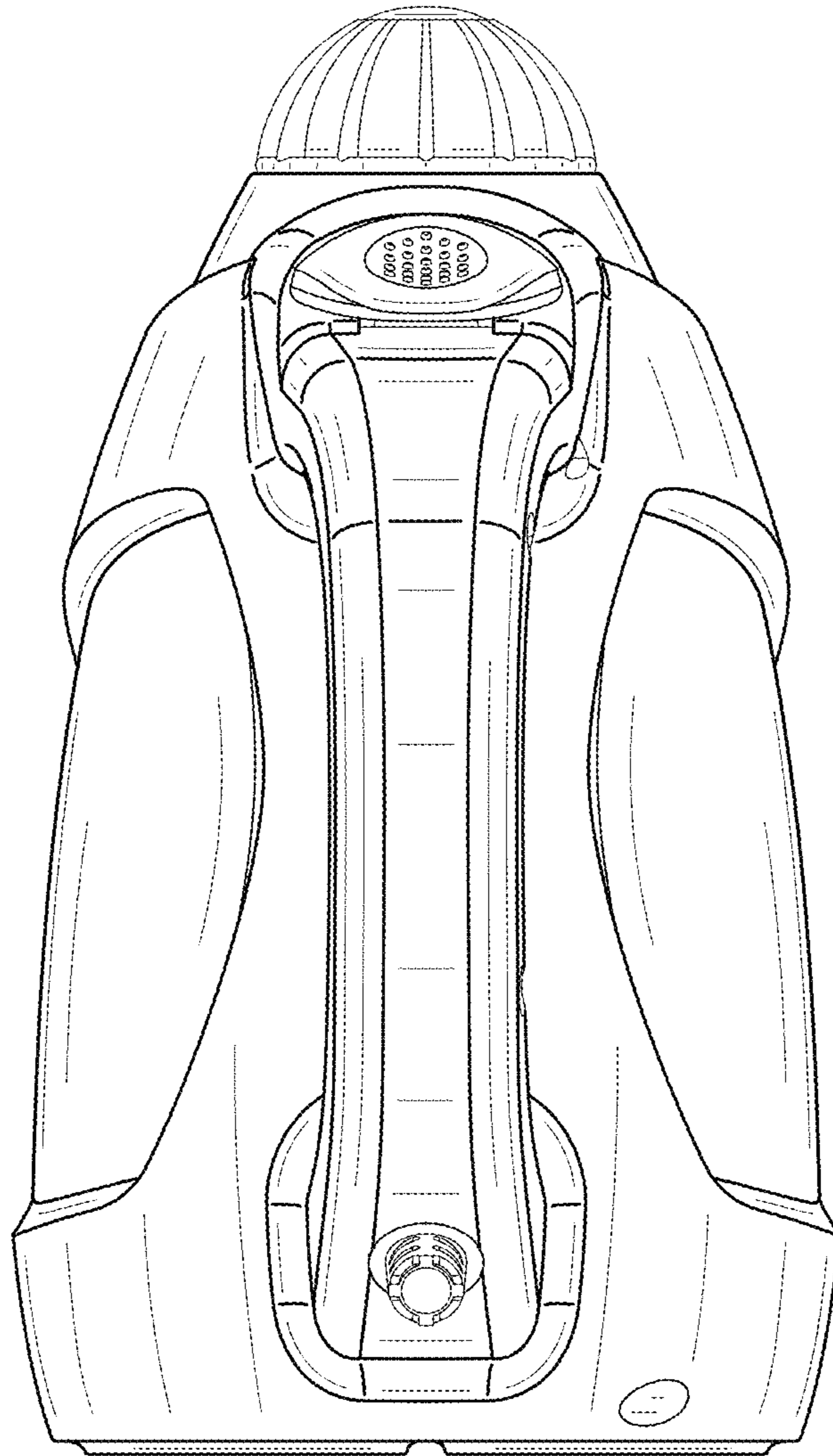


FIG. 4

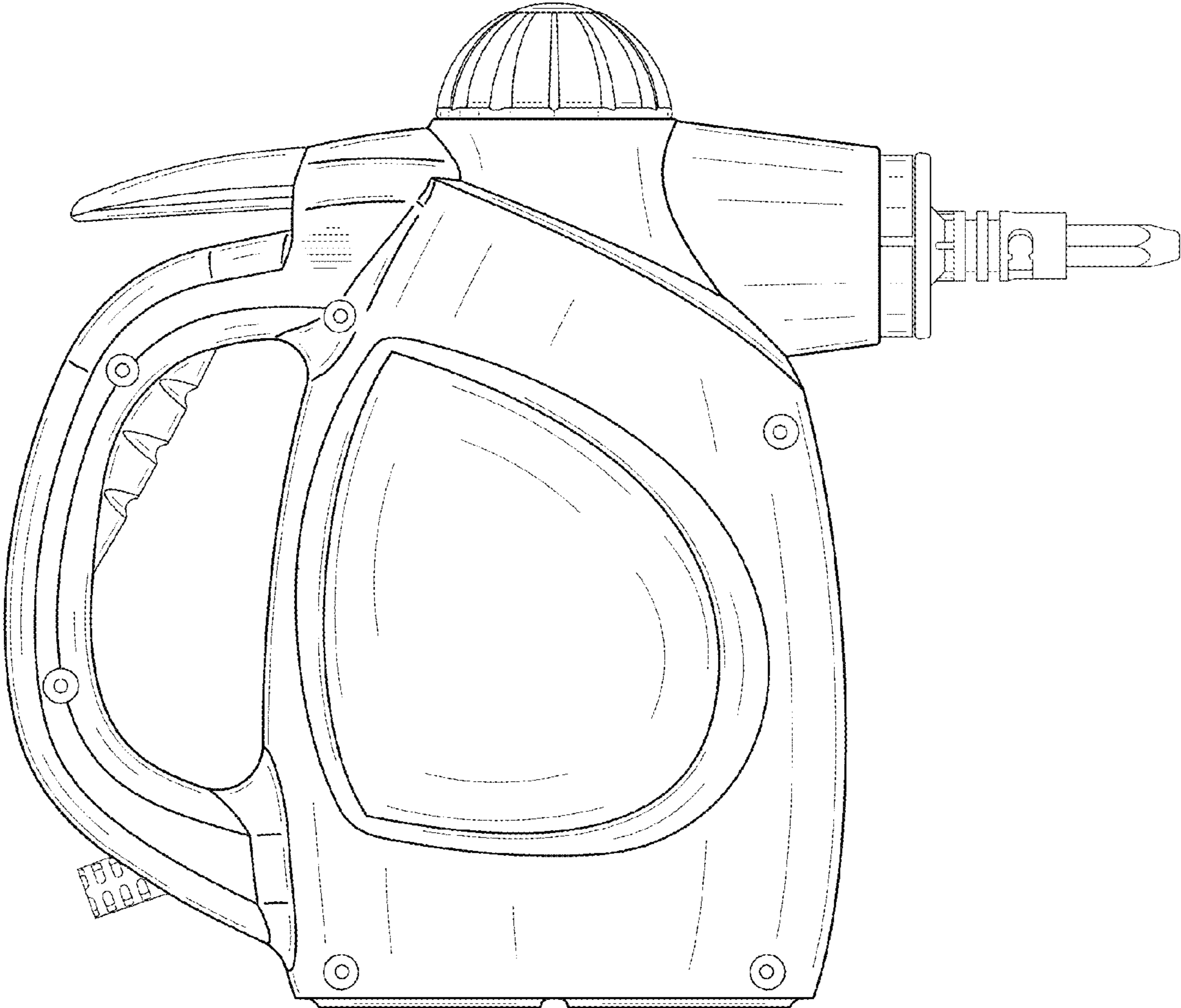


FIG. 5

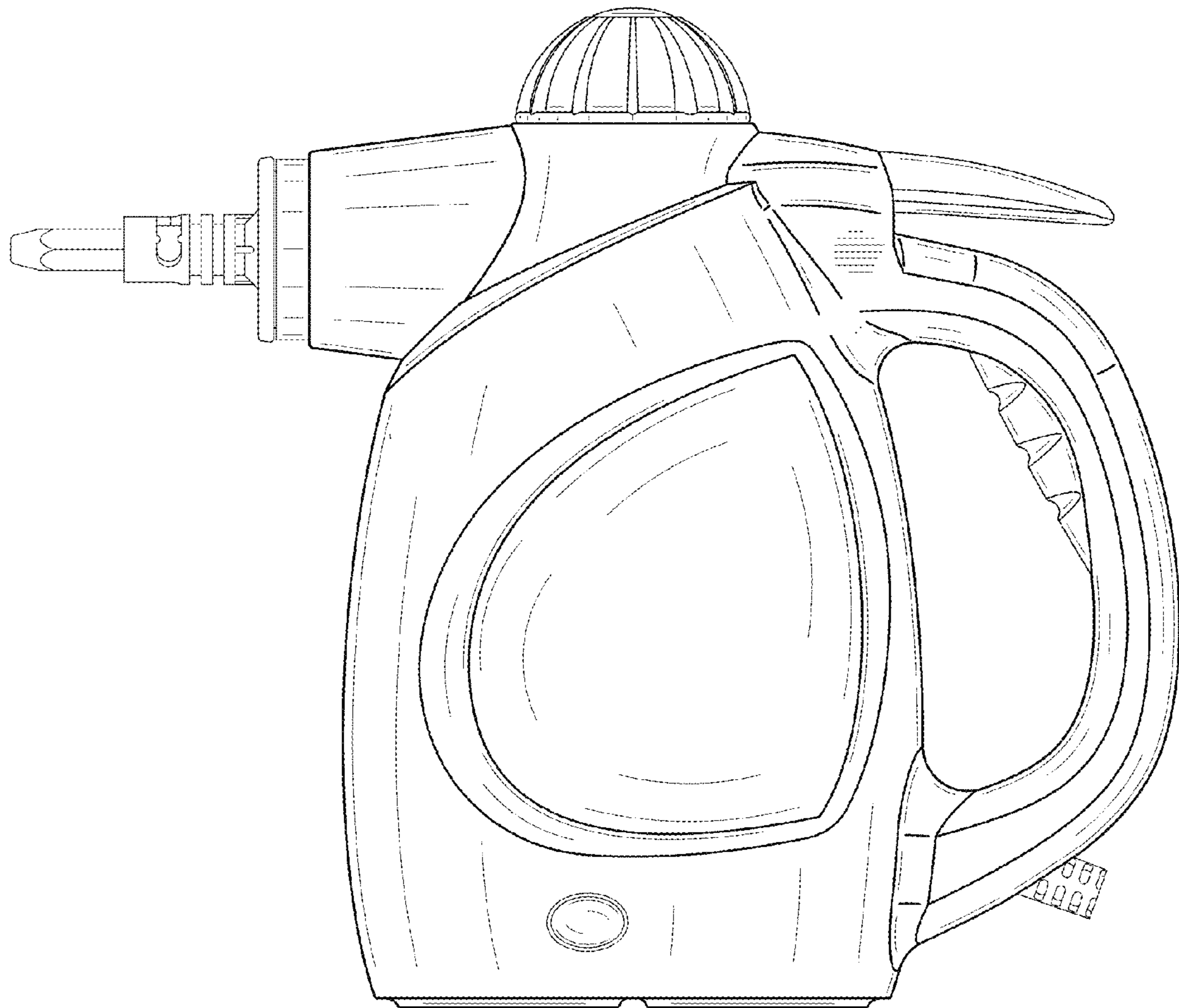


FIG. 6

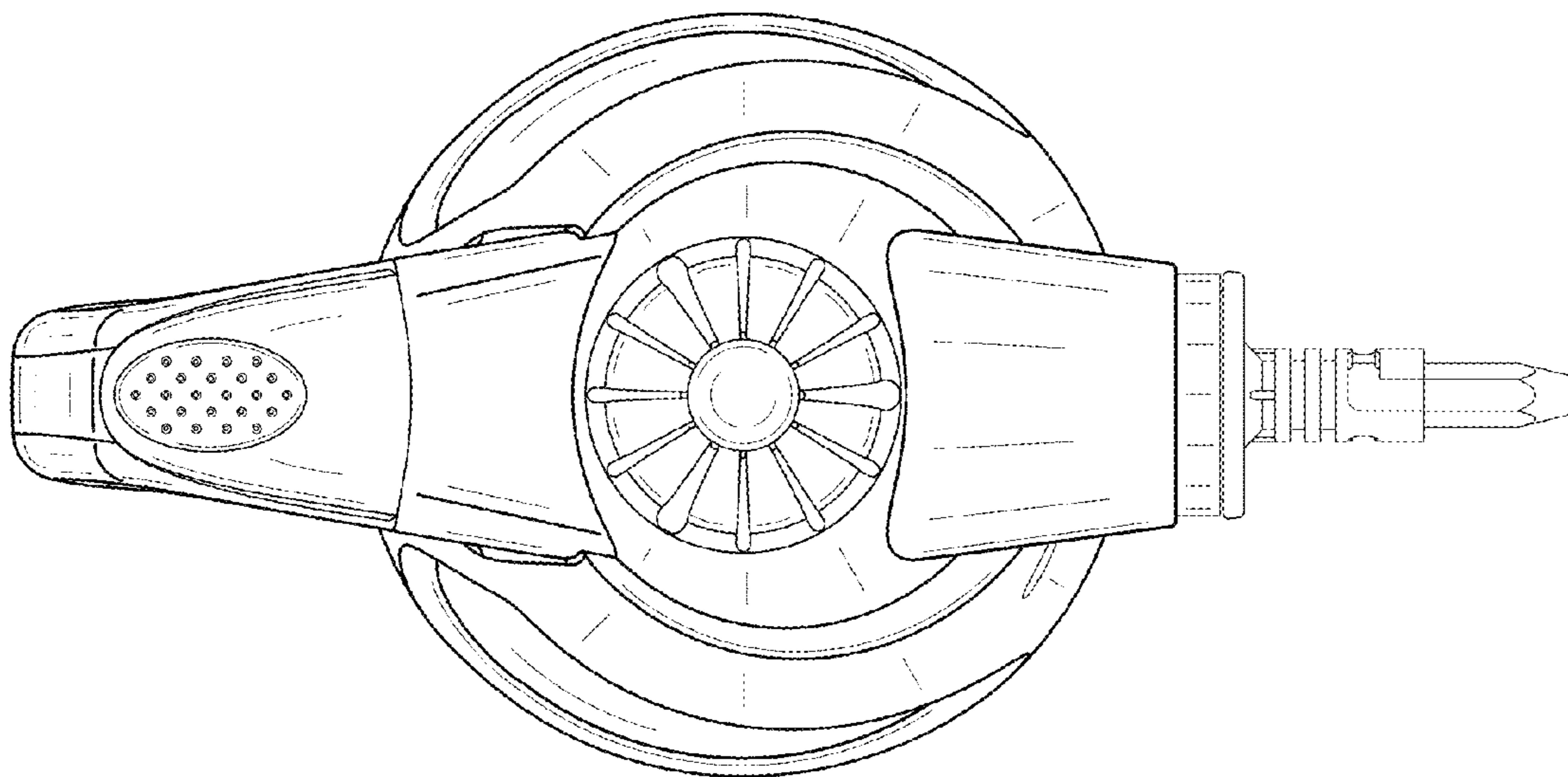


FIG. 7

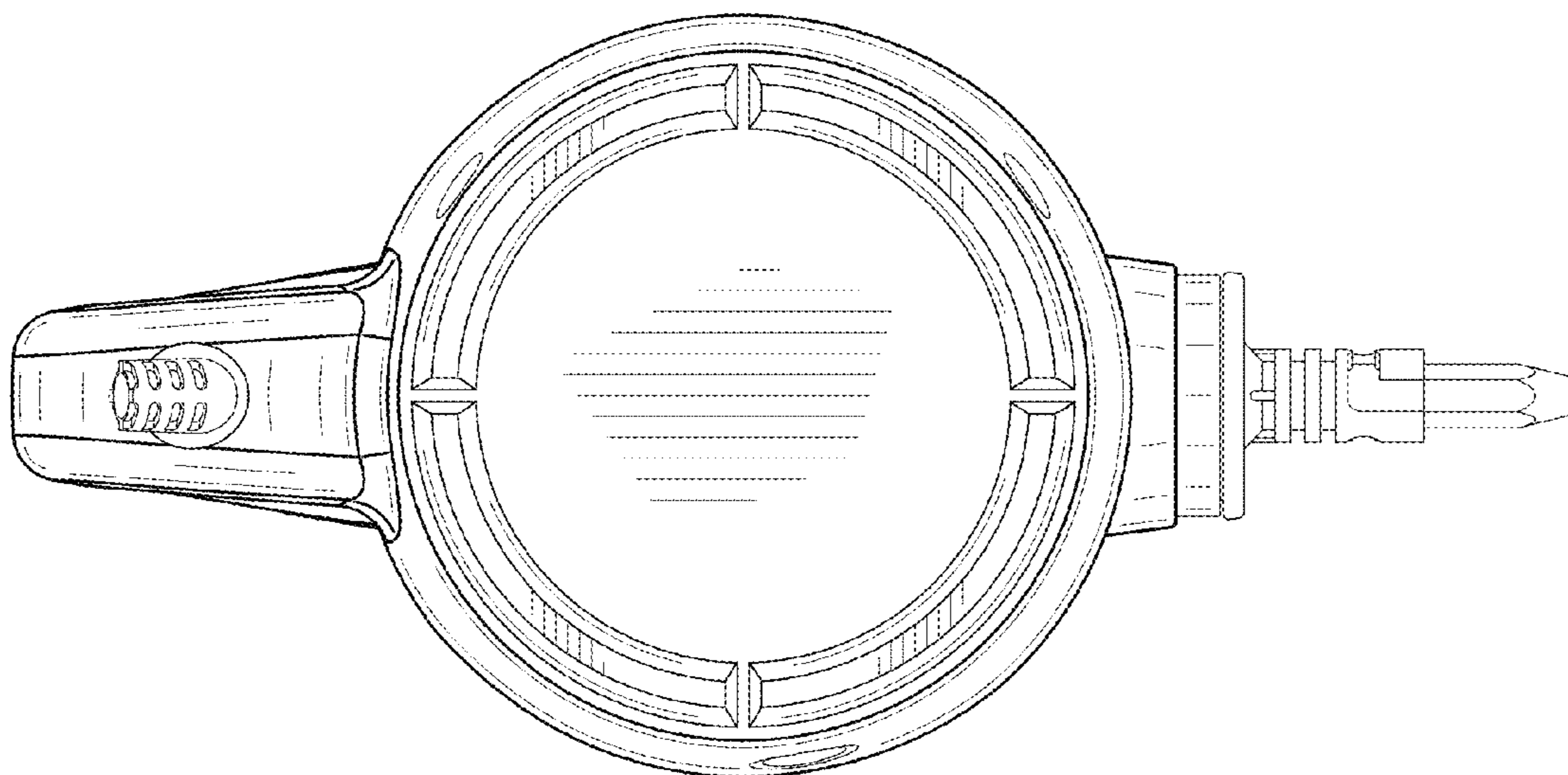


FIG. 8