



US00D702403S

(12) **United States Design Patent**
Snow

(10) **Patent No.:** **US D702,403 S**

(45) **Date of Patent:** **** Apr. 8, 2014**

(54) **ANIMAL ENCLOSURE WITH NESTING BOX**

(71) Applicant: **Edward G. Snow**, Valley Center, CA
(US)

(72) Inventor: **Edward G. Snow**, Valley Center, CA
(US)

(**) Term: **14 Years**

(21) Appl. No.: **29/437,710**

(22) Filed: **Nov. 20, 2012**

(51) **LOC (10) Cl.** **30-02**

(52) **U.S. Cl.**
USPC **D30/108**

(58) **Field of Classification Search**
None
See application file for complete search history.

(56) **References Cited**

U.S. PATENT DOCUMENTS

242,575	A *	6/1881	Abernathy	119/459
2,864,335	A *	12/1958	Yellin	119/461
3,815,549	A *	6/1974	Opmeer	119/459
D233,157	S *	10/1974	Lacock	D30/116
D283,182	S *	4/1986	Marshall	D30/114

5,010,848	A *	4/1991	Rankin	119/461
5,694,884	A *	12/1997	Eicoff	119/469
6,129,052	A *	10/2000	Huang	119/461
D485,450	S *	1/2004	Smith	D6/432
D566,343	S *	4/2008	Osada et al.	D30/108
D664,718	S *	7/2012	Lee et al.	D30/112

* cited by examiner

Primary Examiner — Cathy A MacCormac

(74) *Attorney, Agent, or Firm* — Richard D. Clarke

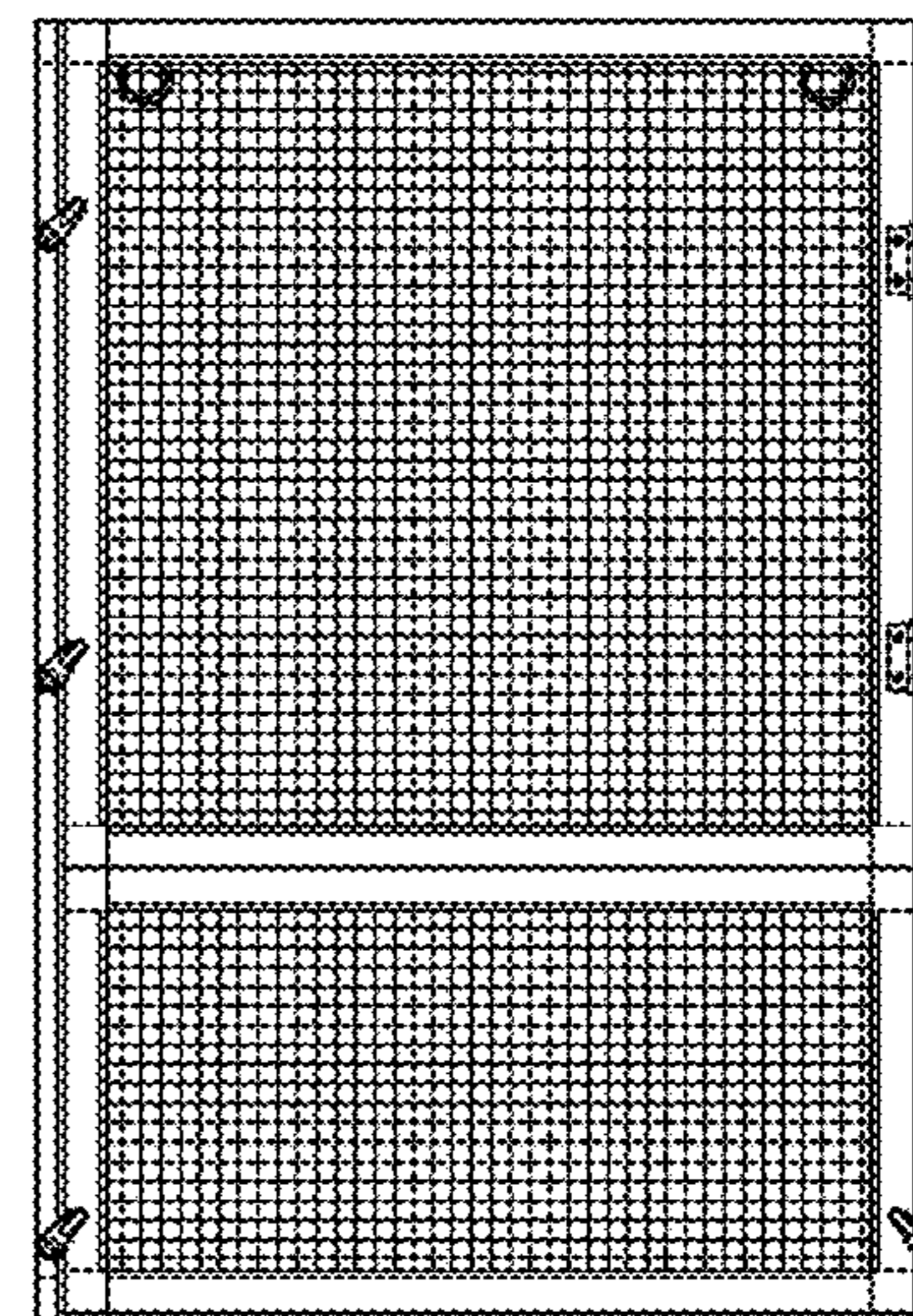
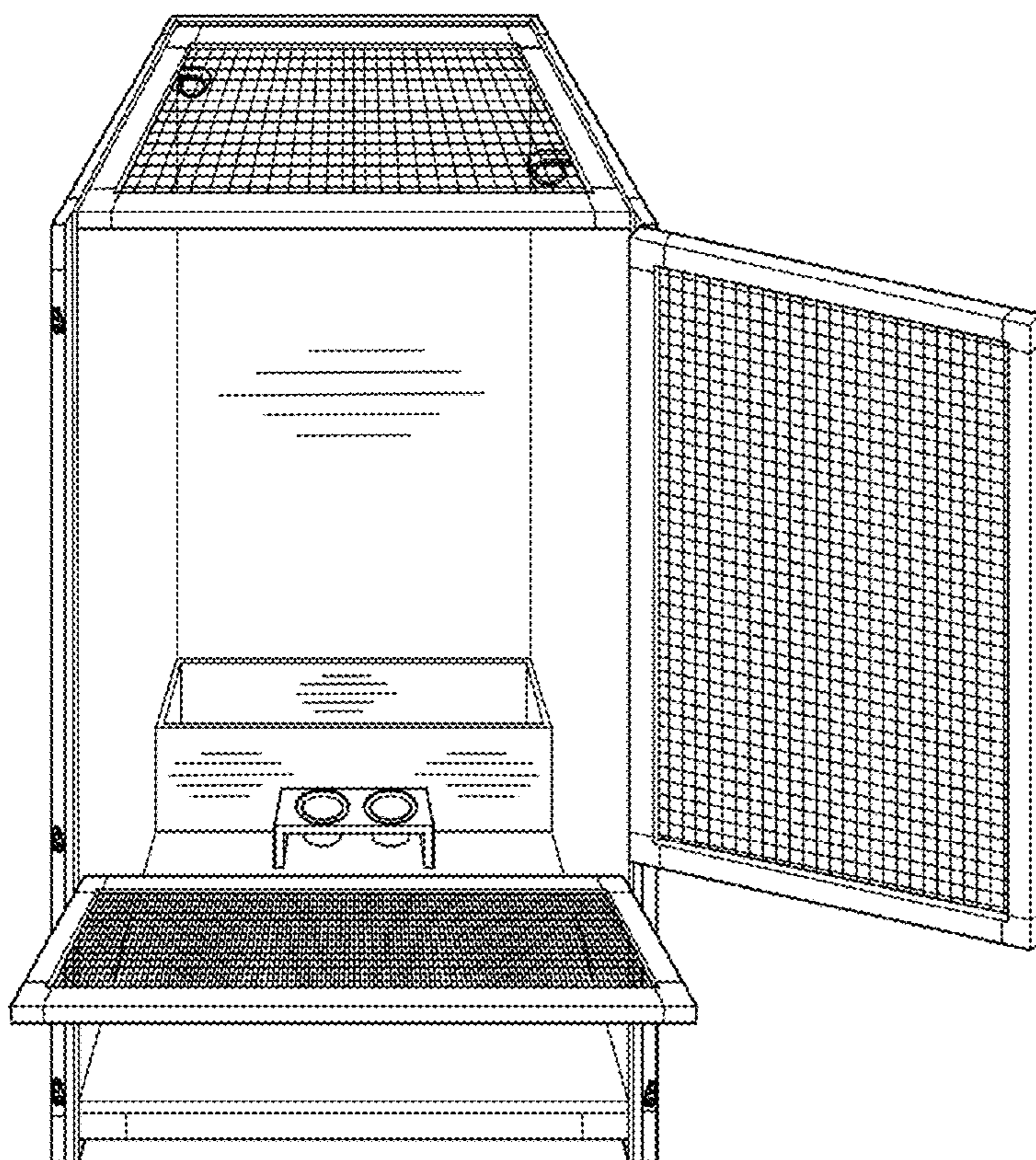
(57) **CLAIM**

I claim the ornamental design for an animal enclosure with nesting box, as shown and described.

DESCRIPTION

FIG. 1 is a top front and right side perspective view of the animal enclosure with nesting box showing the doors in an open position;
 FIG. 2 is a left side elevation view of showing the doors in a closed position;
 FIG. 3 is a front elevation view of FIG. 2;
 FIG. 4 is a right side elevation view of FIG. 2;
 FIG. 5 is a rear elevation view of FIG. 2;
 FIG. 6 is a top plan view of FIG. 2; and,
 FIG. 7 is a bottom plan view of FIG. 2.

1 Claim, 4 Drawing Sheets



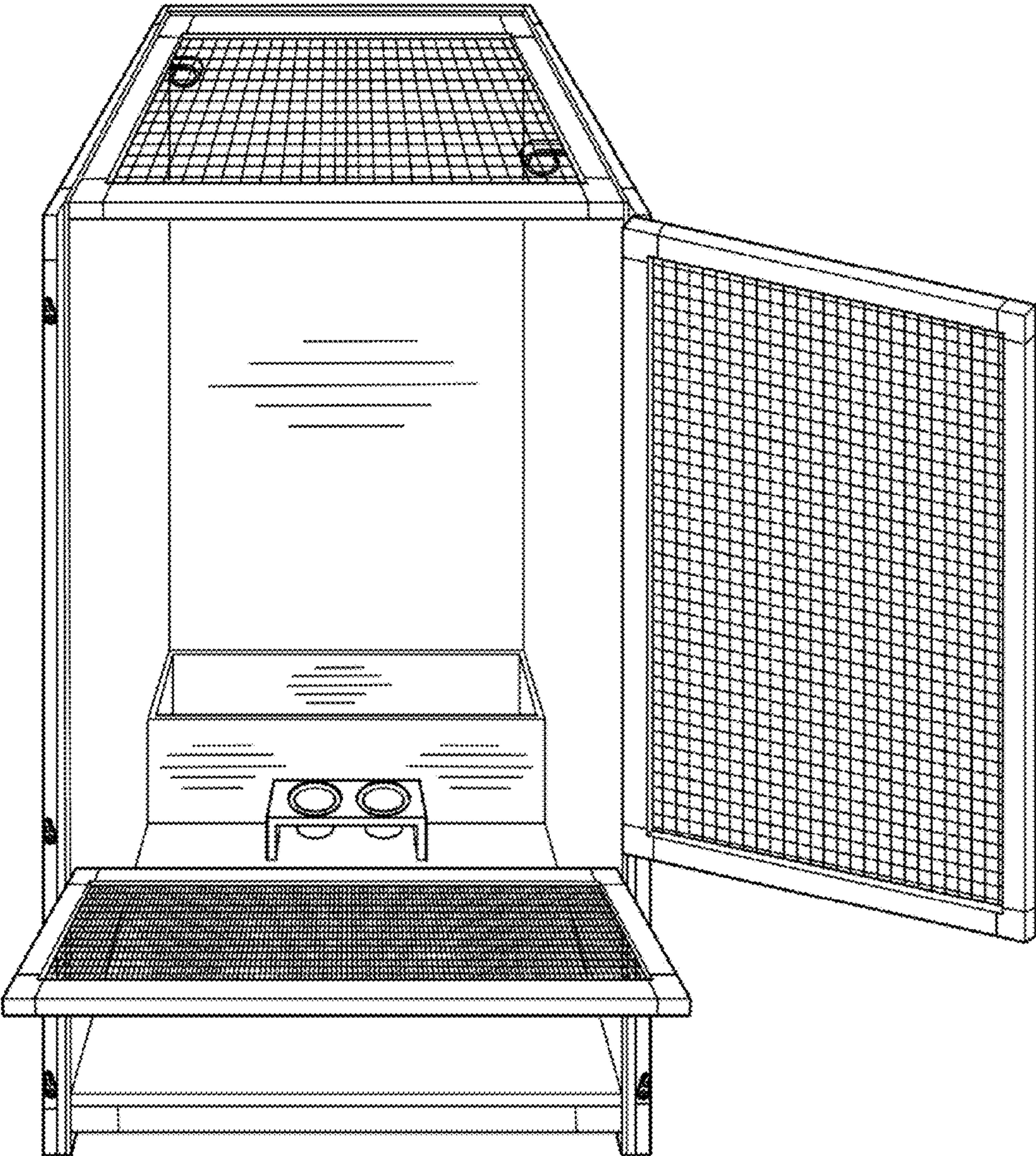


FIG. 1

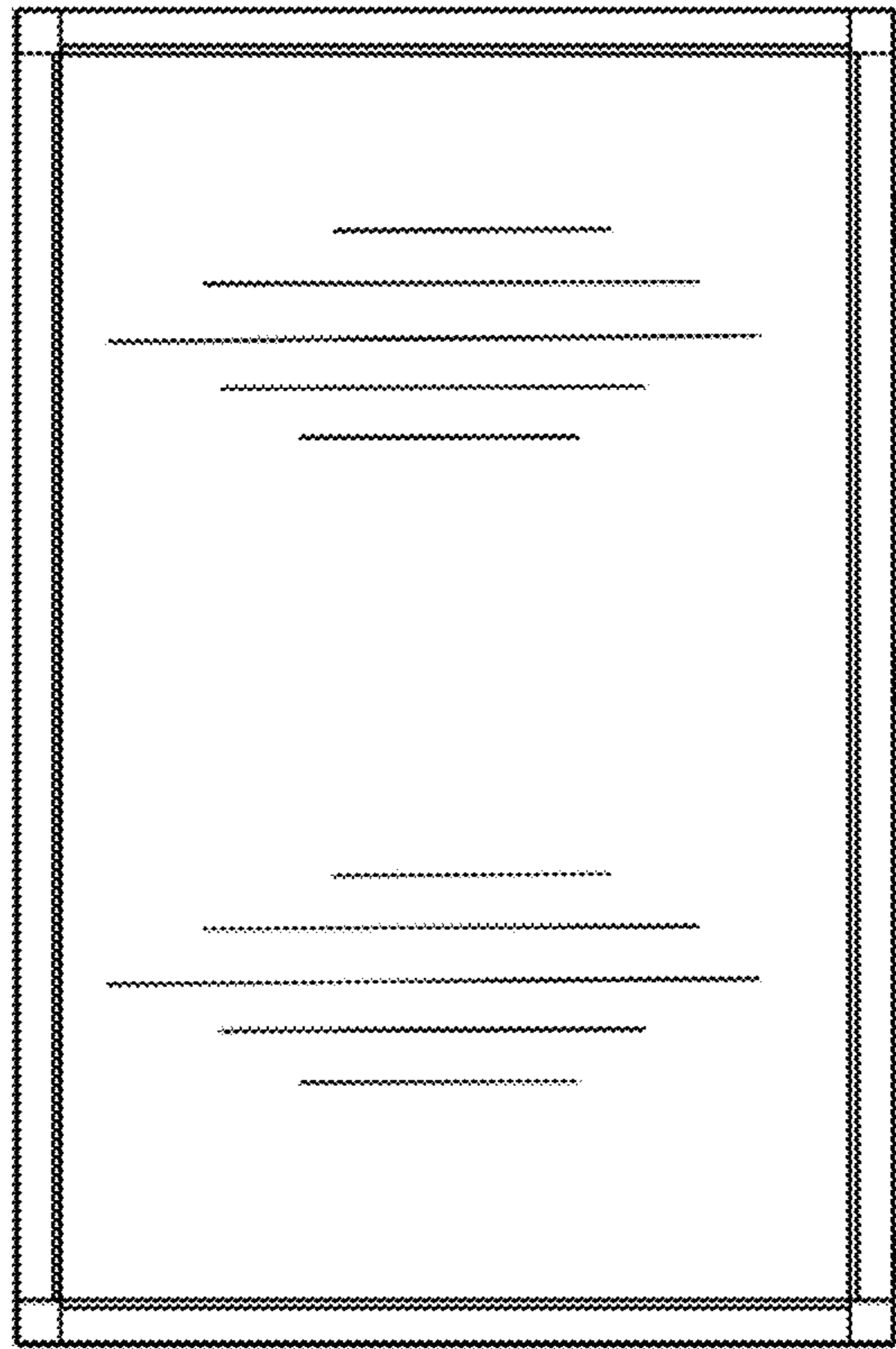


FIG. 2

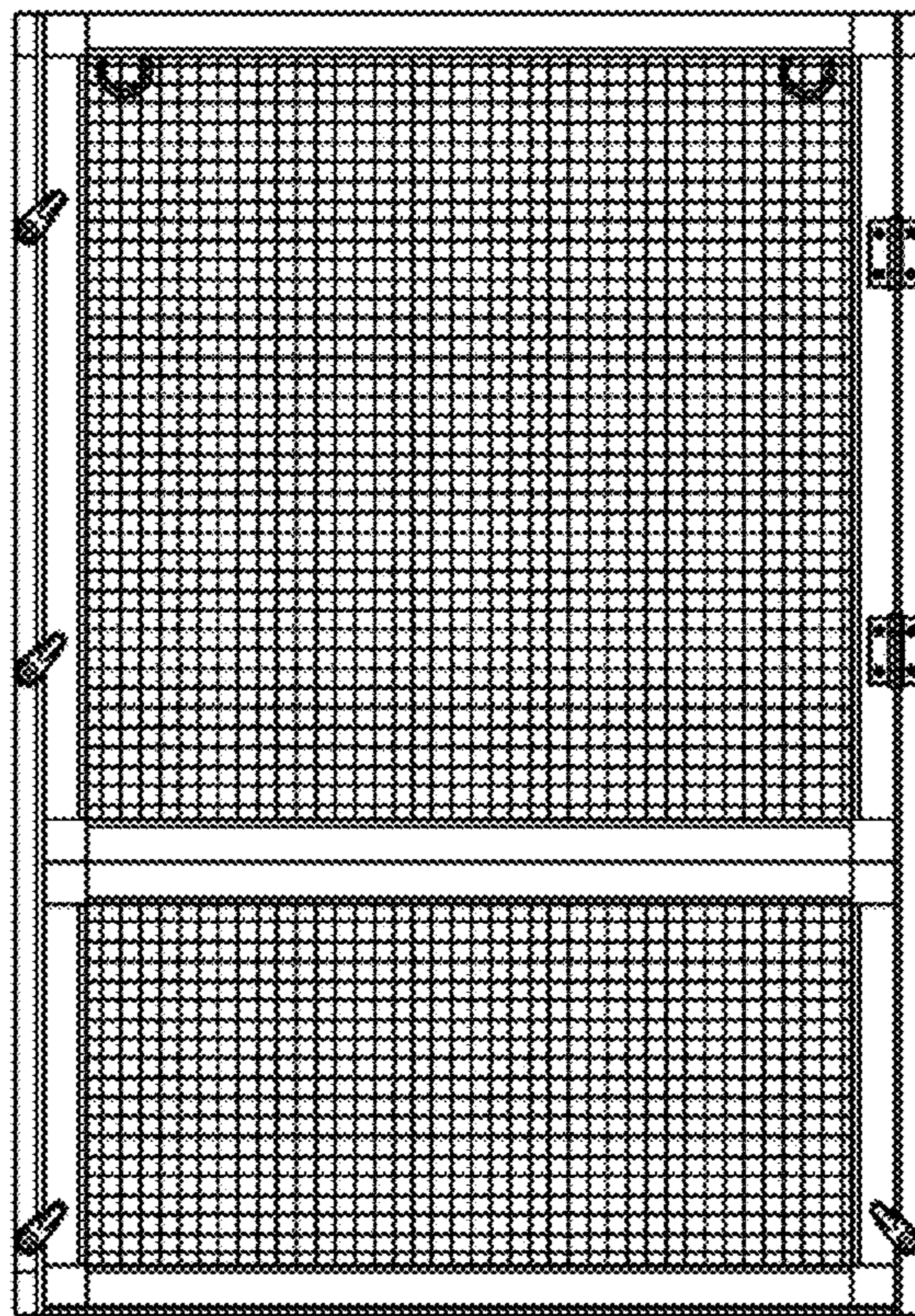


FIG. 3

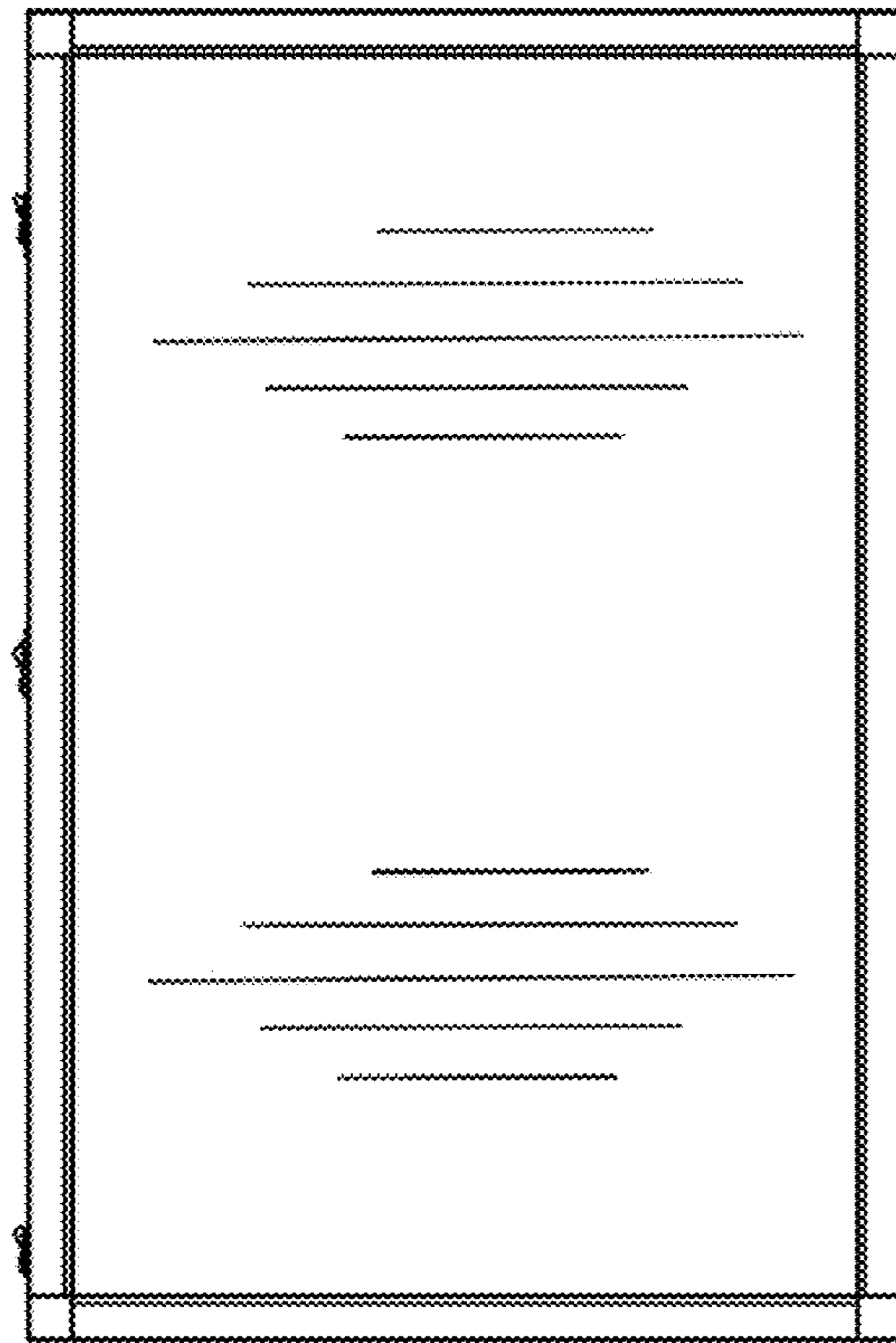


FIG. 4

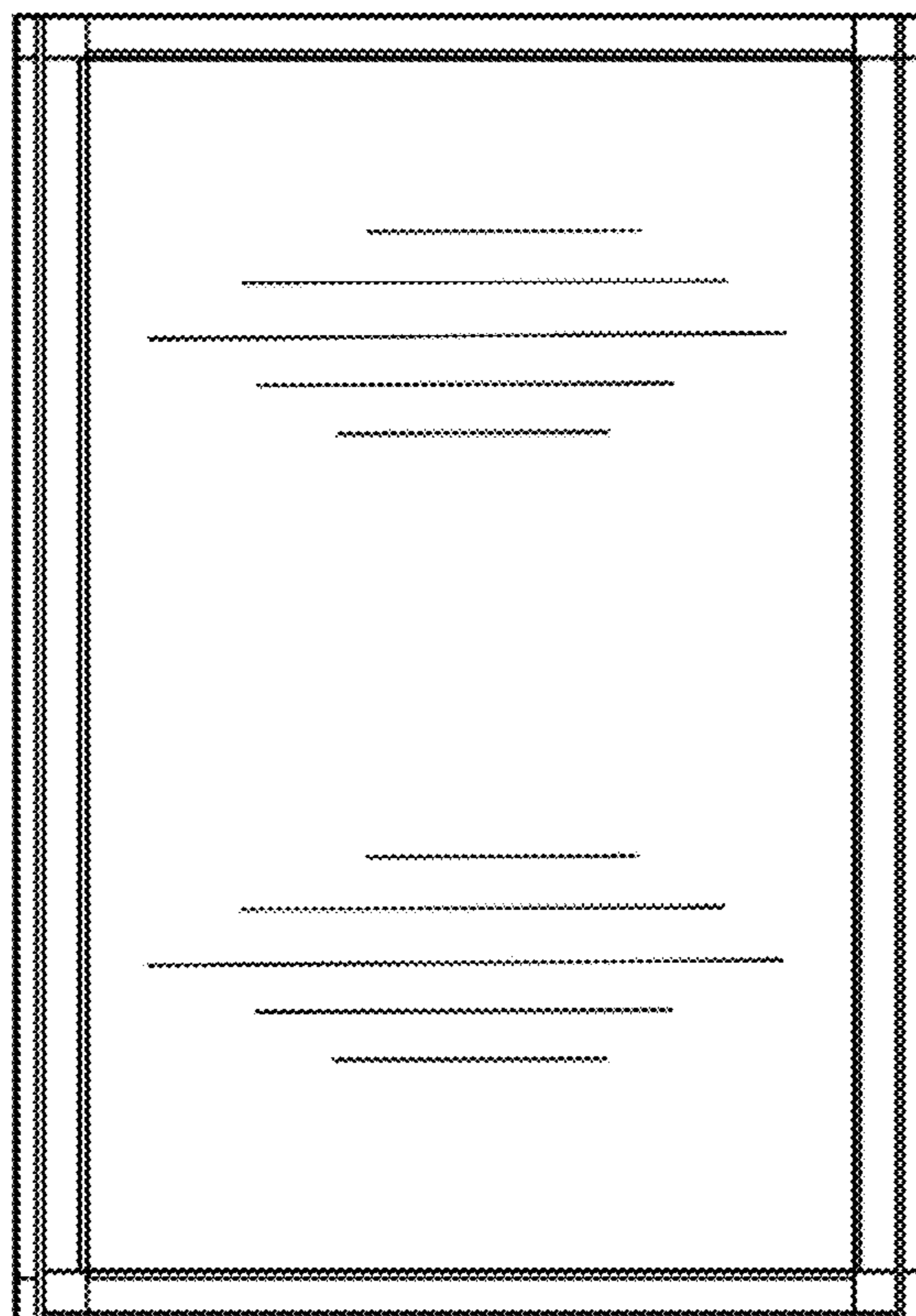


FIG. 5

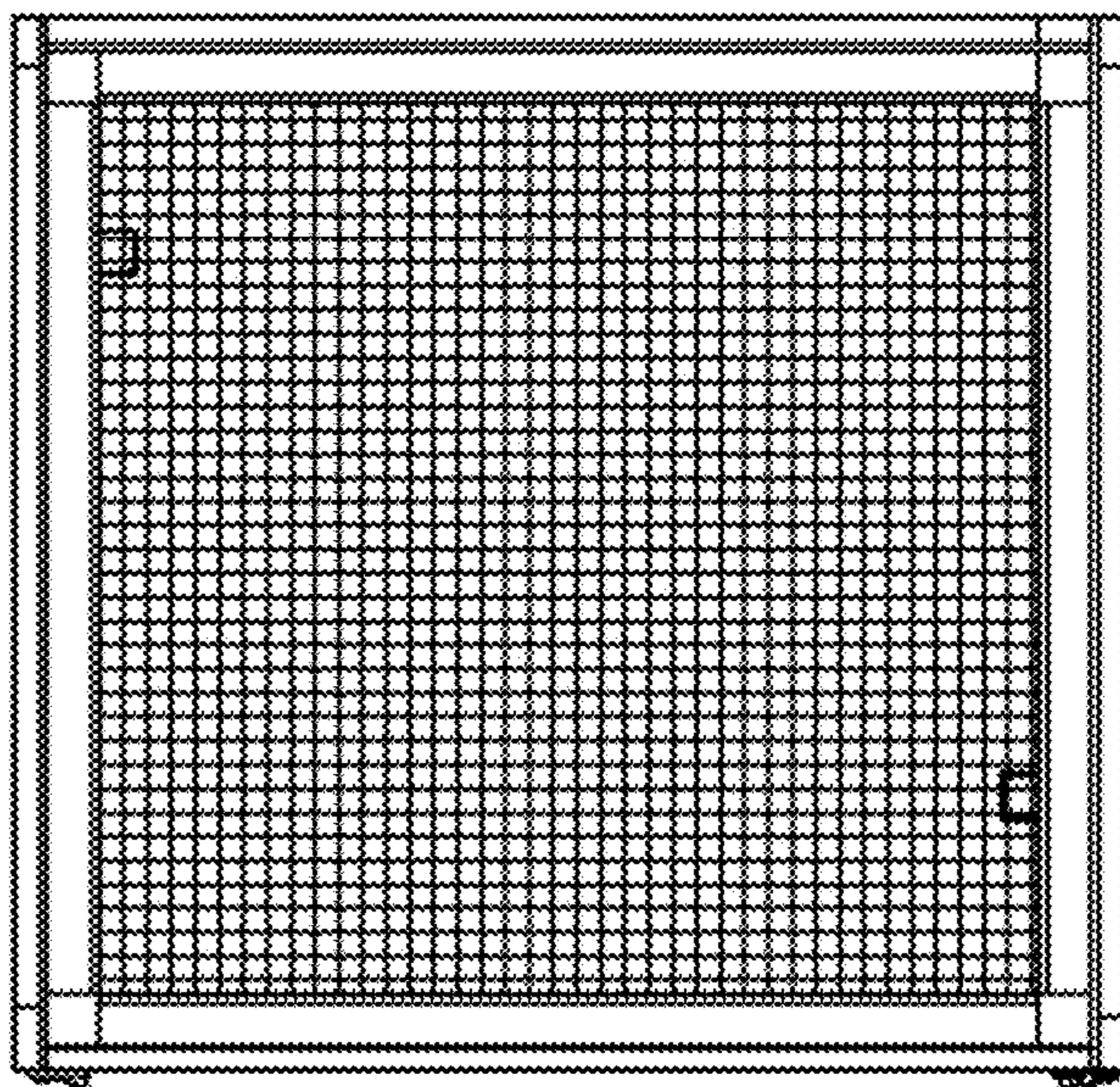


FIG. 6

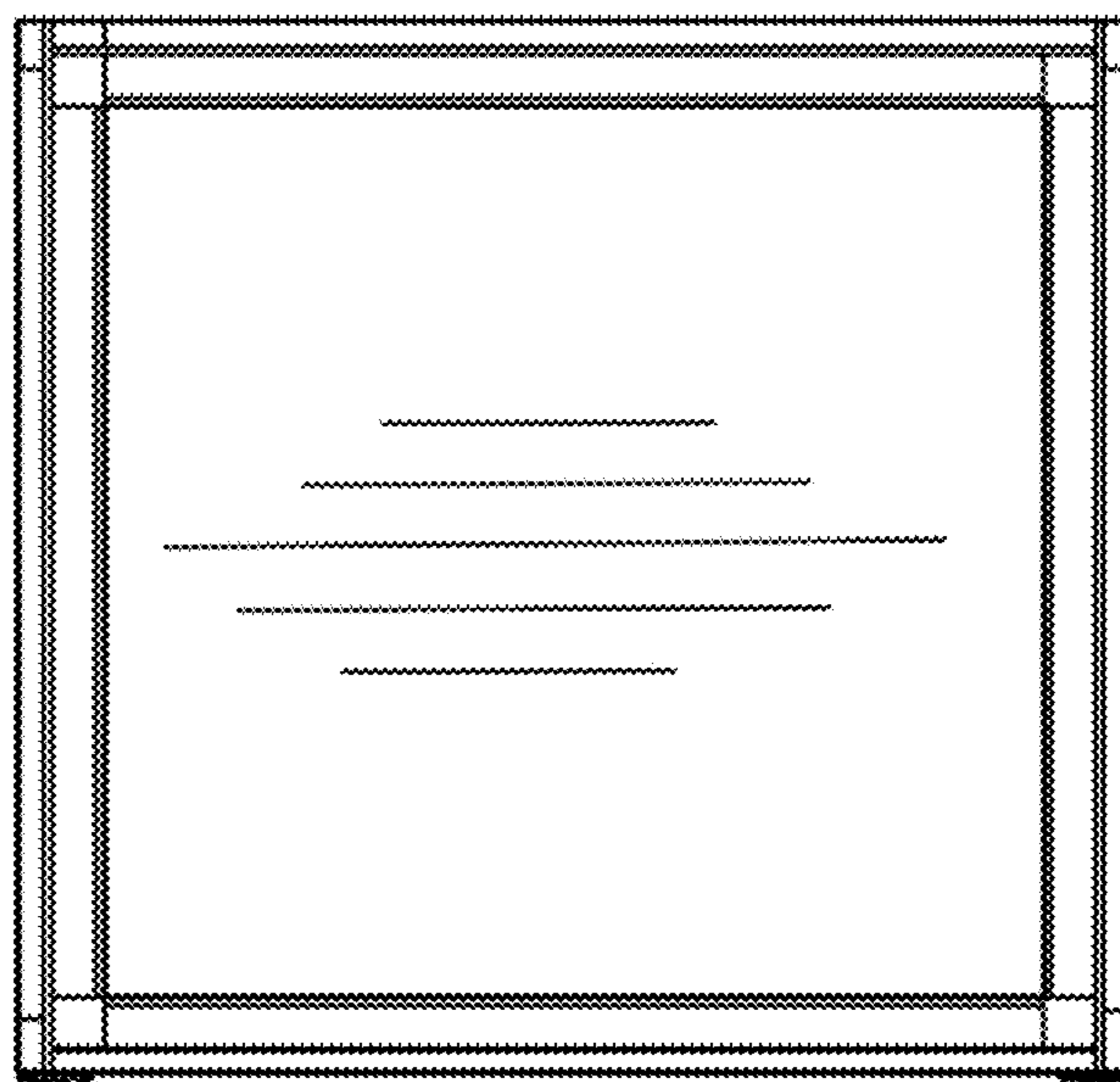


FIG. 7