



US00D702397S

(12) **United States Design Patent**
Wiegel et al.

(10) **Patent No.:** **US D702,397 S**

(45) **Date of Patent:** **** Apr. 8, 2014**

(54) **LINK FOR AN ARTICULATED ARM OF A LIGHT FIXTURE**

(71) Applicants: **Aaron J. Wiegel**, Benton, WI (US);
Jason Dondlinger, Bellevue, IA (US);
Joe Korman, Dubuque, IA (US); **Lucas I. Paruch**, Dubuque, IA (US); **Ronald P. Snyder**, Dubuque, IA (US)

(72) Inventors: **Aaron J. Wiegel**, Benton, WI (US);
Jason Dondlinger, Bellevue, IA (US);
Joe Korman, Dubuque, IA (US); **Lucas I. Paruch**, Dubuque, IA (US); **Ronald P. Snyder**, Dubuque, IA (US)

(73) Assignee: **Rite-Hite Holding Corporation**, Milwaukee, WI (US)

(**) Term: **14 Years**

(21) Appl. No.: **29/445,241**

(22) Filed: **Feb. 8, 2013**

(51) **LOC (10) Cl.** **26-99**

(52) **U.S. Cl.**
USPC **D26/140**

(58) **Field of Classification Search**
USPC D26/2, 26, 36, 37, 39, 49, 61, 64, 67, D26/72, 74, 78, 81, 85, 89, 113, 118, 121, D26/122, 138, 140, 141, 142, 152, 155; 362/97.3, 128, 135, 162, 167, 176, 362/188, 207, 208, 215, 285, 286, 287, 362/288; 248/274.1, 276.1, 277.1, 280.11, 248/281.11, 282.1, 283.1, 284.1, 285.1, 248/286.1, 287.1; 313/313, 315, 316, 317, 313/493; 315/52, 53, 56, 57, 58
See application file for complete search history.

(56) **References Cited**

U.S. PATENT DOCUMENTS

3,275,878 A * 9/1966 Wilbanks 313/317
D296,369 S * 6/1988 Harvey D26/67

D327,131 S * 6/1992 Vrancart et al. D26/2
5,171,086 A * 12/1992 Baloochi 362/188
D599,931 S * 9/2009 van Klinken D26/67
D664,272 S * 7/2012 Lee D26/2
D683,883 S * 6/2013 Yorio et al. D26/74
2003/0067767 A1* 4/2003 Liu 362/207

OTHER PUBLICATIONS

Unpublished U.S. Appl. No. 29/451,957, filed Apr. 10, 2013.

* cited by examiner

Primary Examiner — Deanna L Pratt

Assistant Examiner — Natasha Vujcic

(74) *Attorney, Agent, or Firm* — Hanley, Flight & Zimmerman, LLC

(57) **CLAIM**

The ornamental design of a “link for articulated arms of light fixtures,” as shown and described.

DESCRIPTION

FIG. 1 is a front, right side perspective view of a “link for an articulated arm of a light fixture” in accordance with our new design disclosed herein;

FIG. 2 is a front view of the link of FIG. 1;

FIG. 3 is a back view of the link of FIG. 1;

FIG. 4 is a right side view of the link of FIG. 1;

FIG. 5 is a left side view of the link of FIG. 1;

FIG. 6 is a top view of the link of FIG. 1; and,

FIG. 7 is a bottom view of the link of FIG. 1.

The broken lines in the drawings illustrate portions of the link for an articulated arm of a light fixture which form no part of the claimed design.

1 Claim, 2 Drawing Sheets

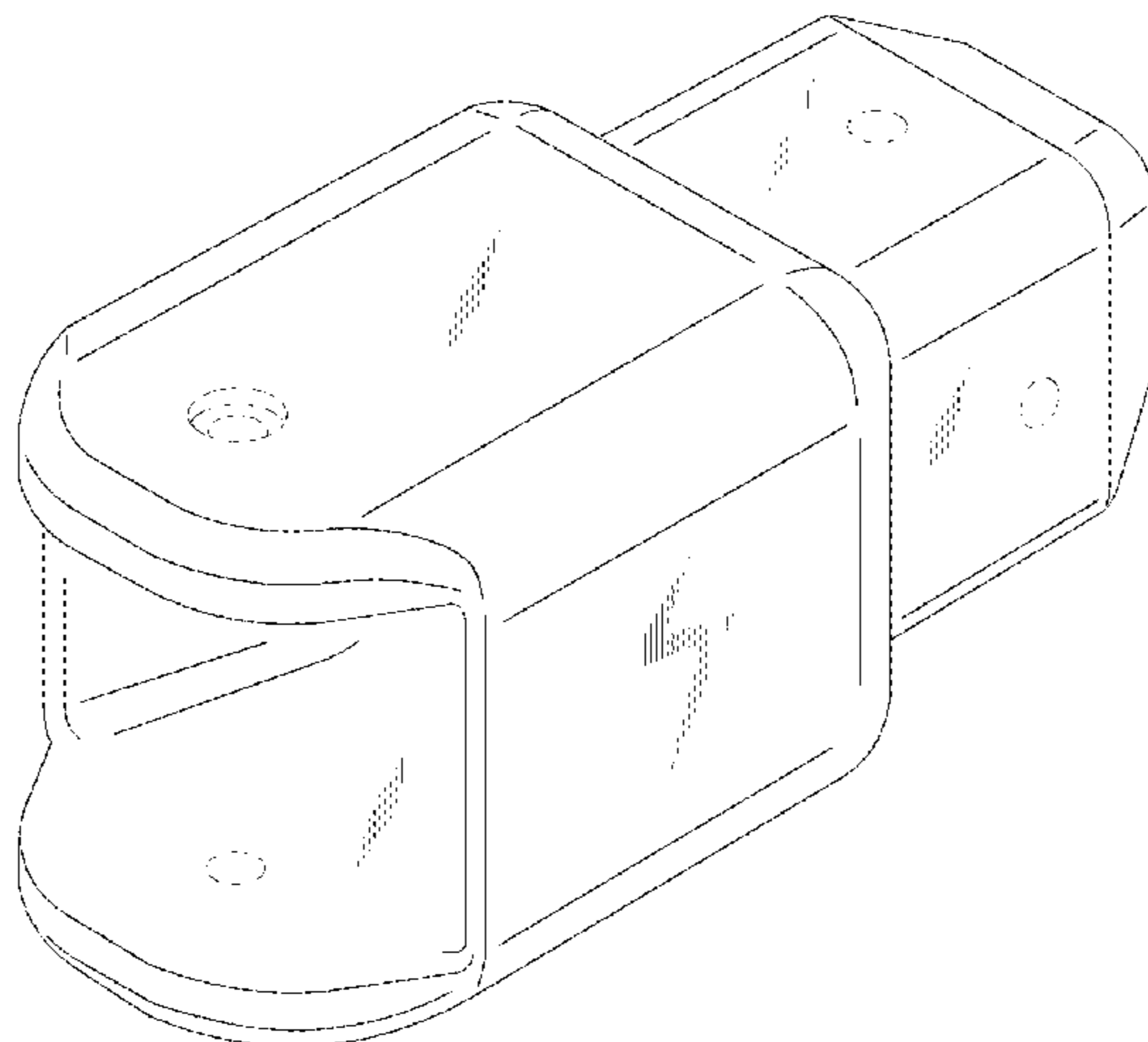


FIG. 1

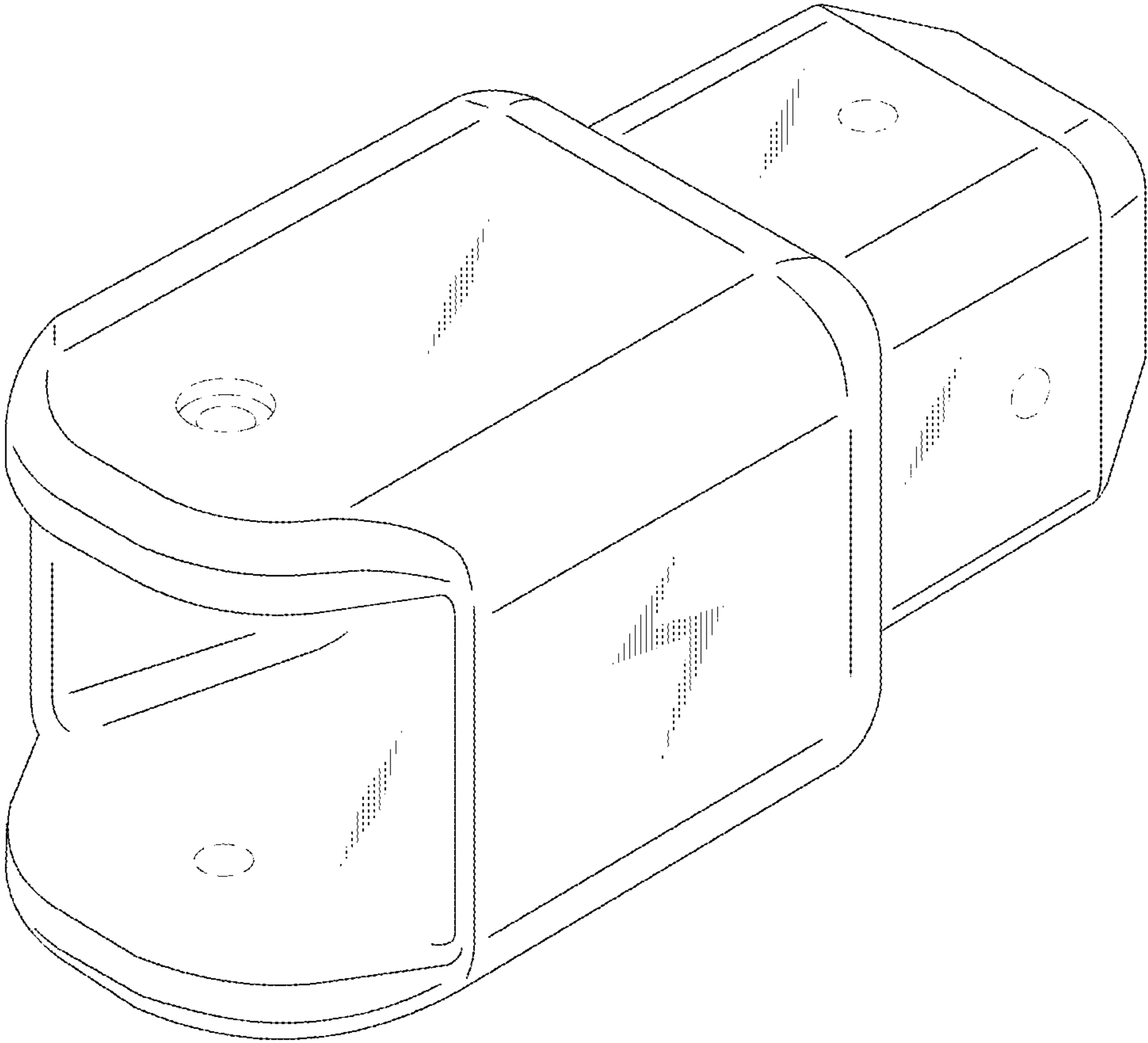


FIG. 2

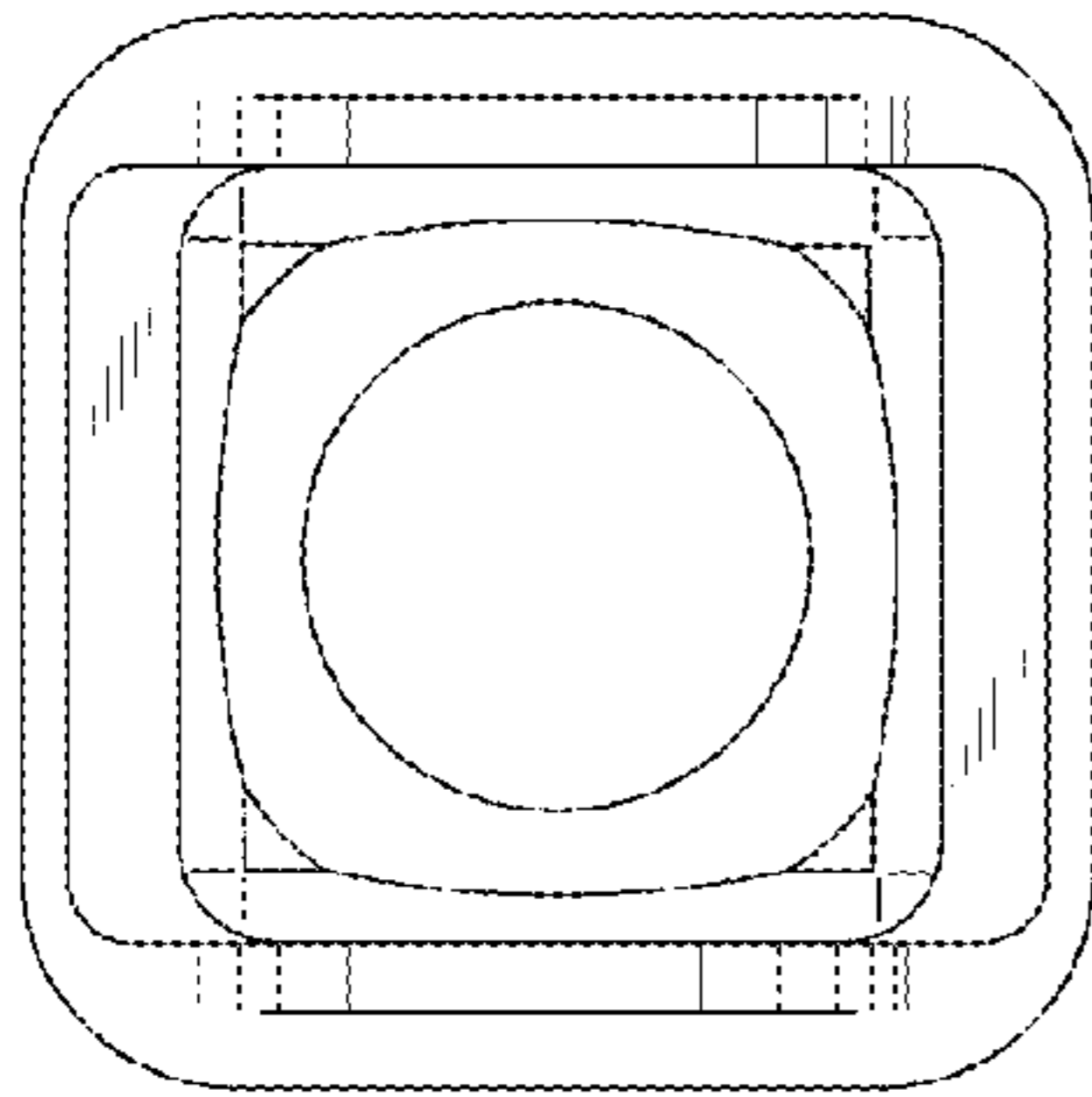


FIG. 3

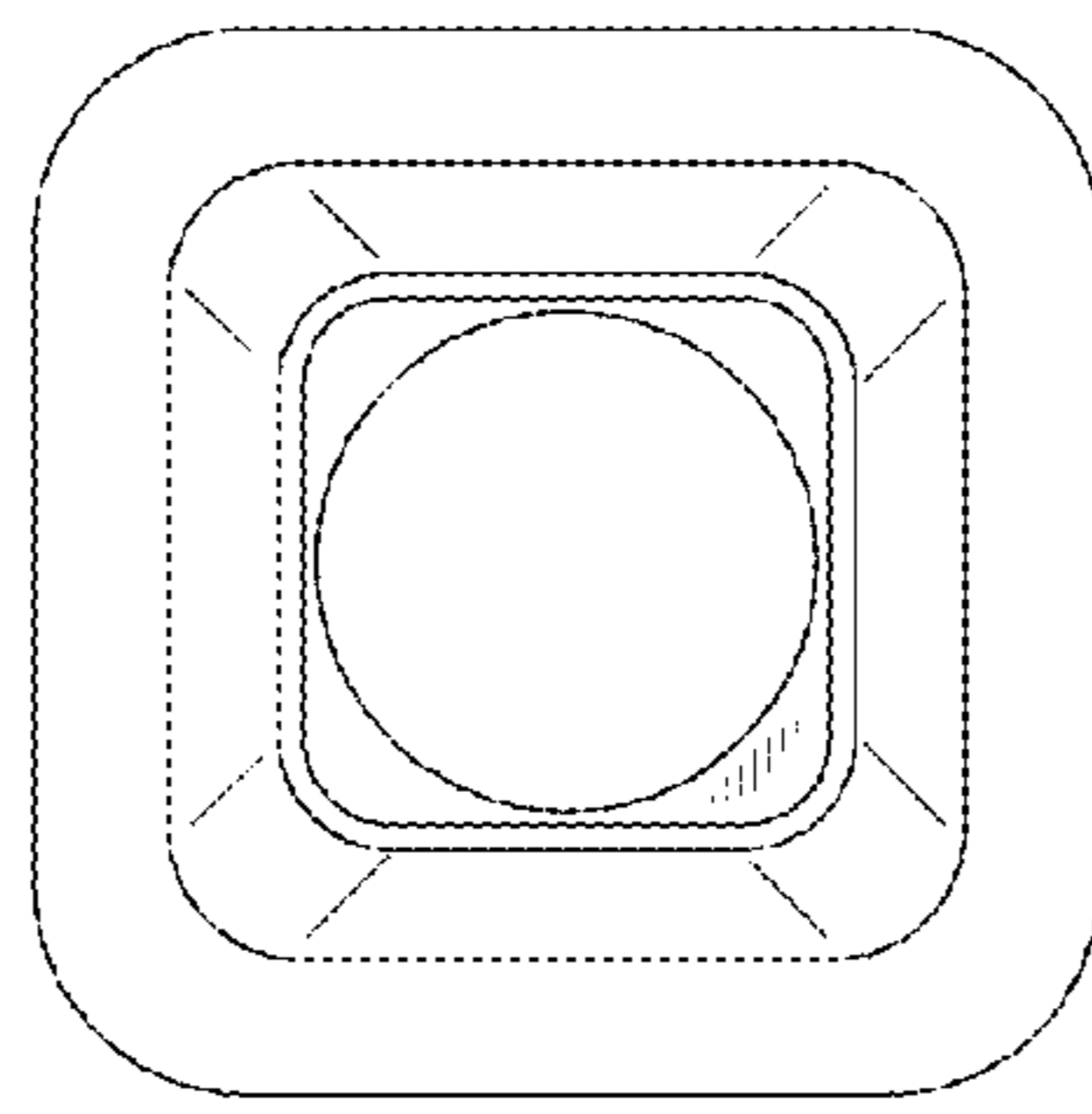


FIG. 4

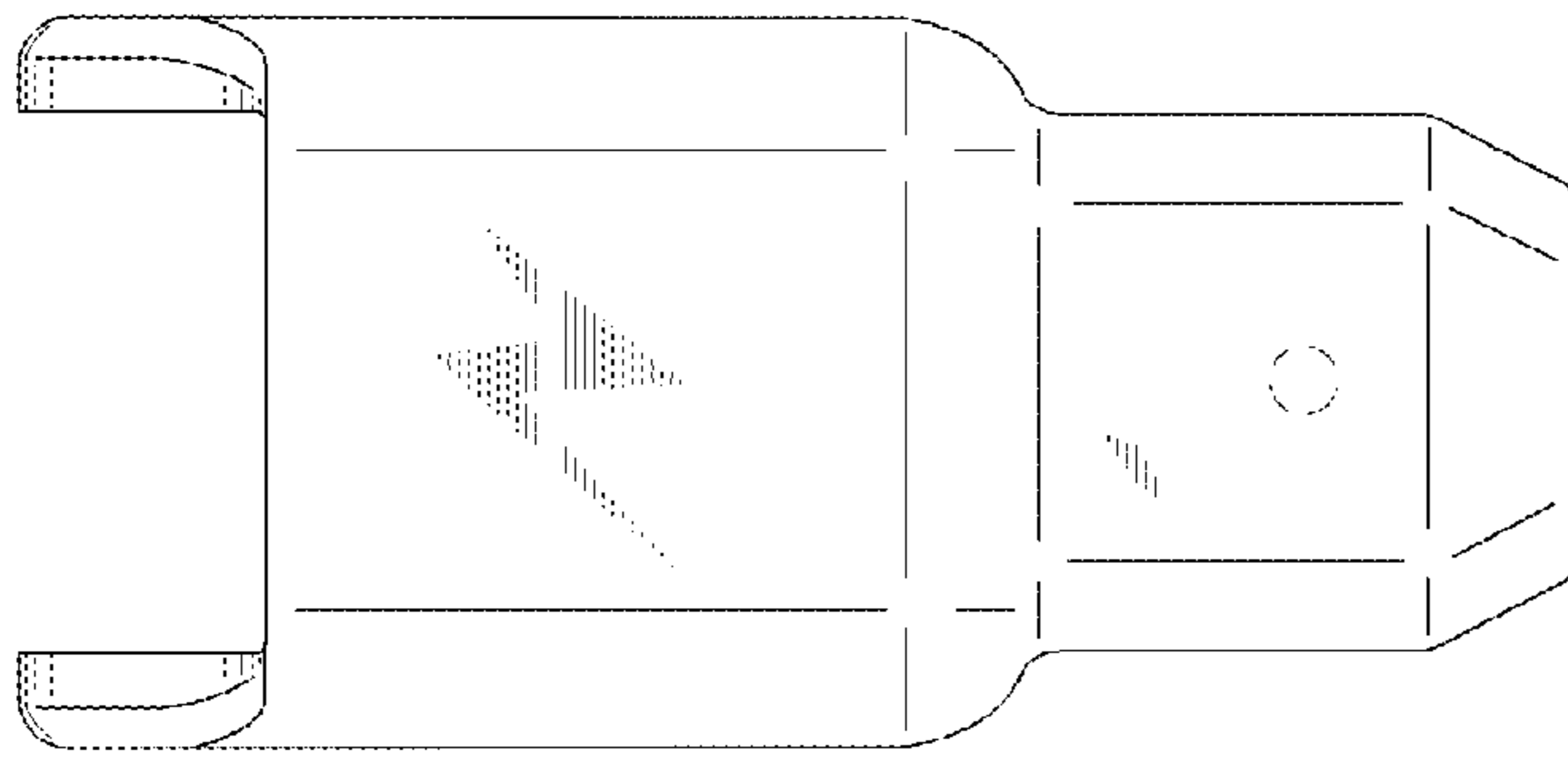


FIG. 5

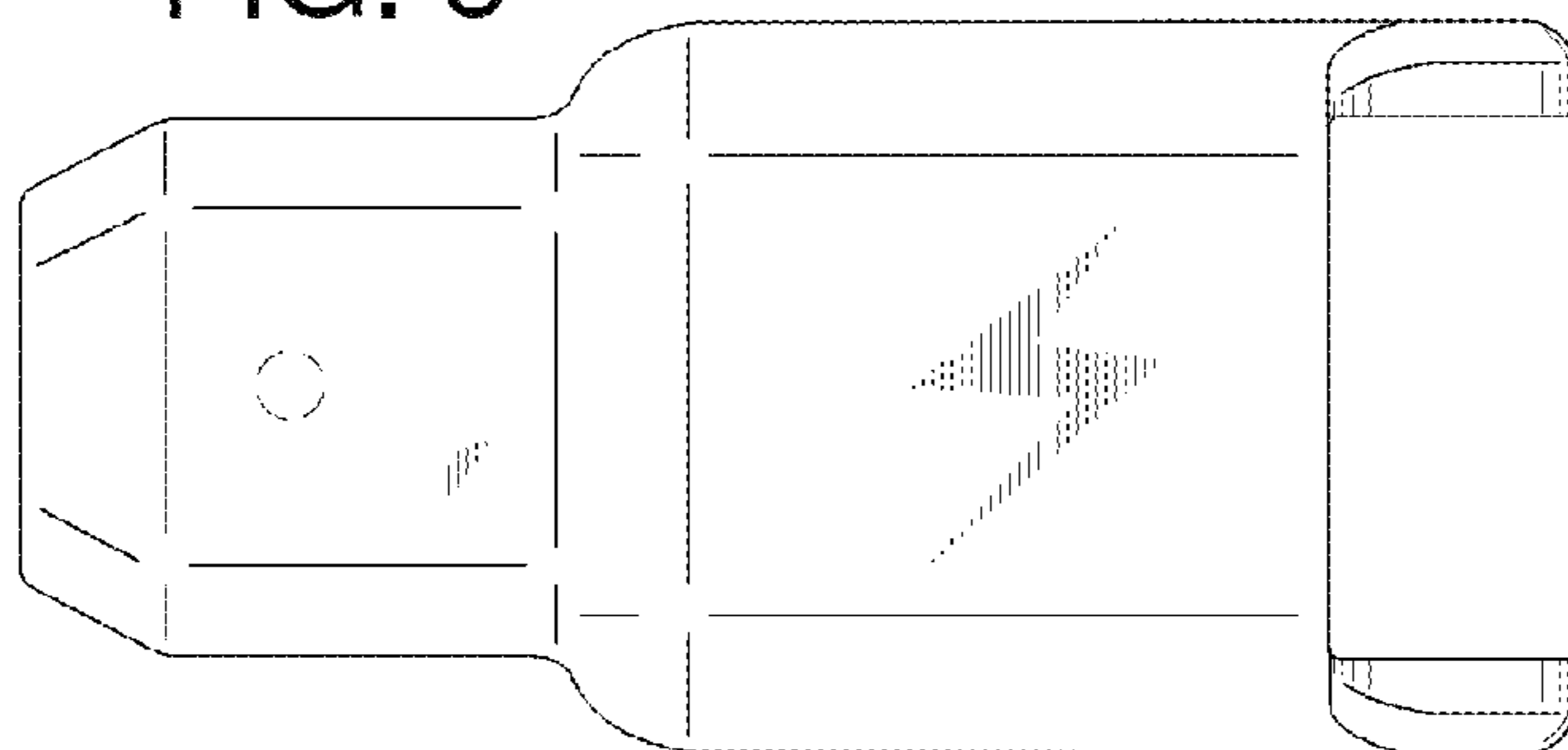


FIG. 6

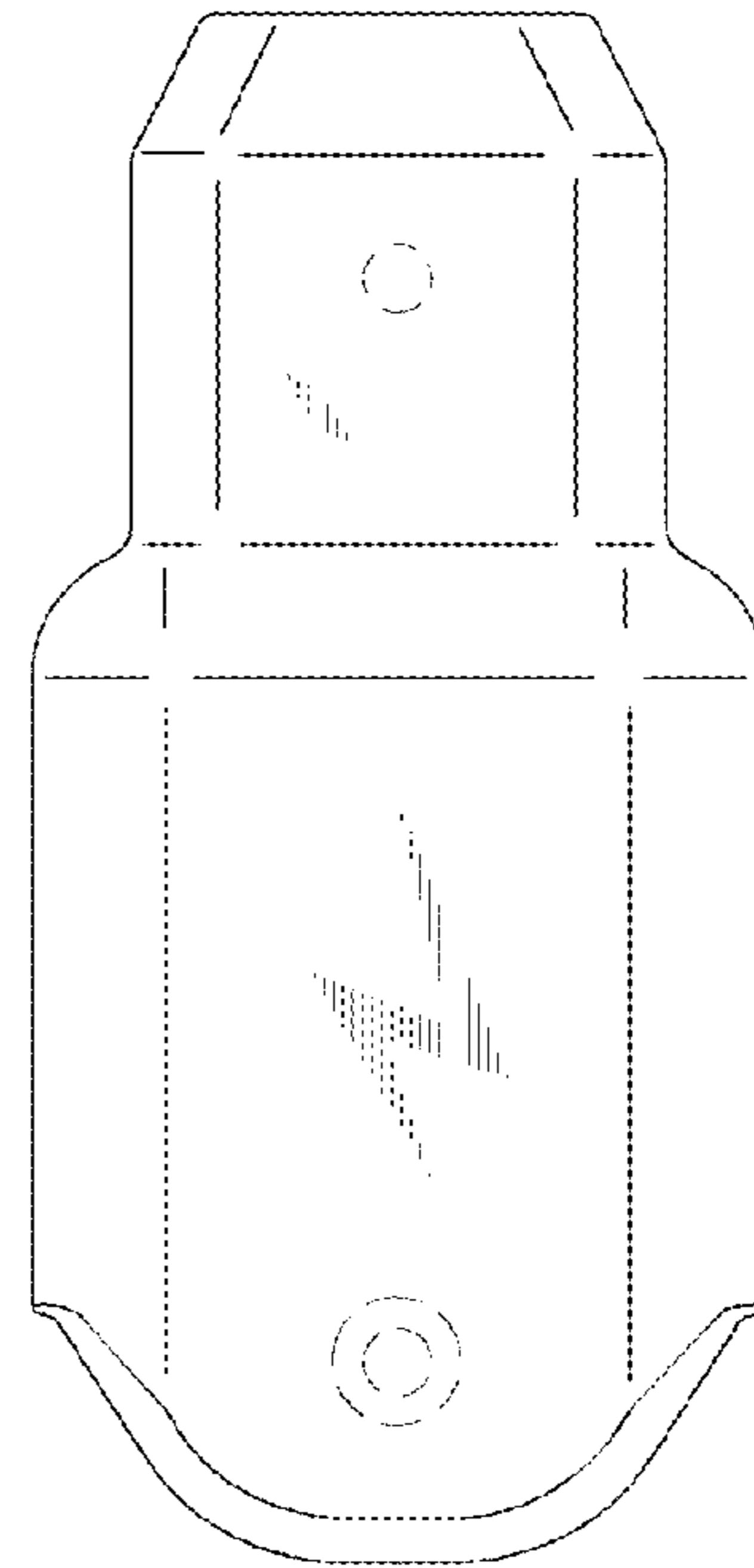
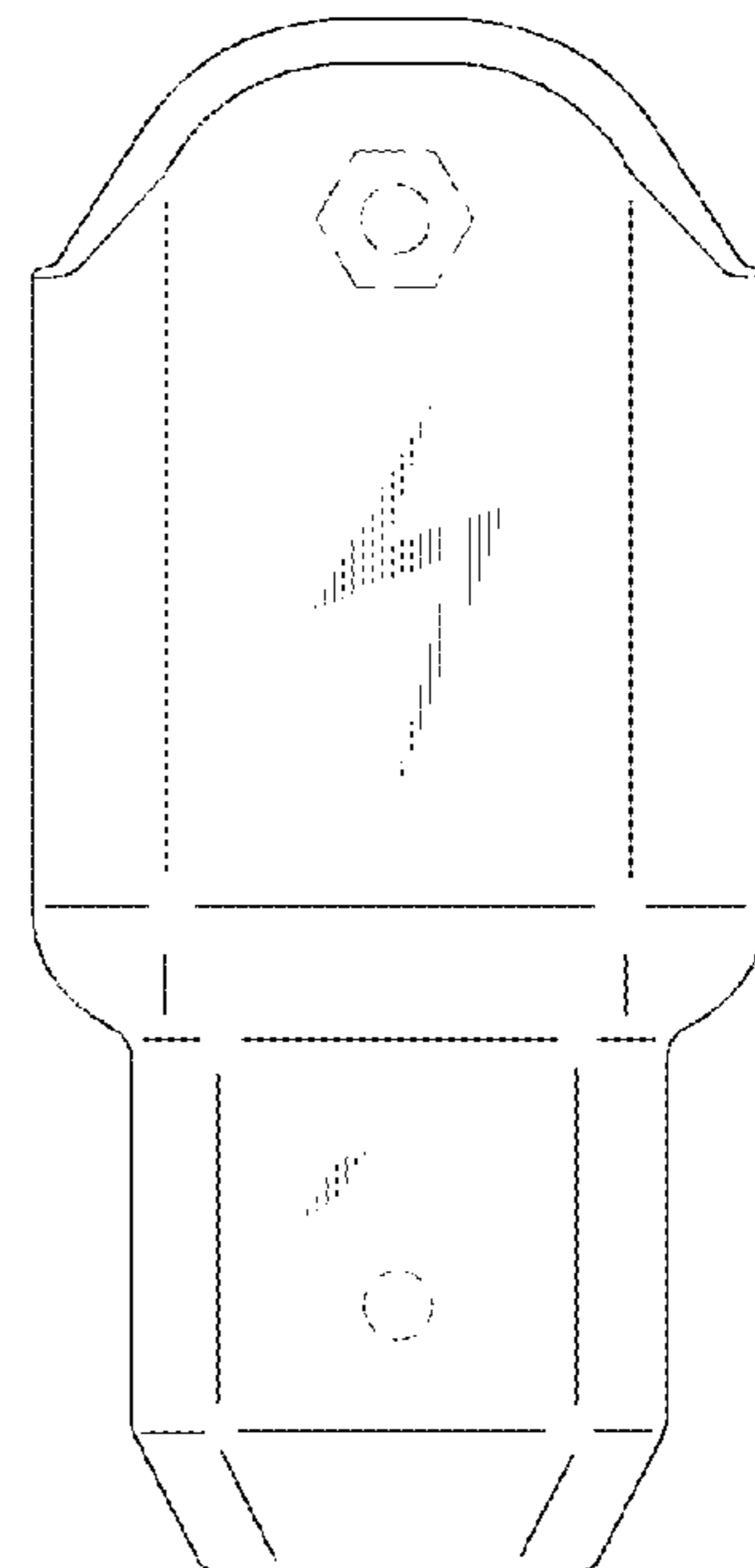


FIG. 7



UNITED STATES PATENT AND TRADEMARK OFFICE
CERTIFICATE OF CORRECTION

PATENT NO. : D702,397 S
APPLICATION NO. : 29/445241
DATED : April 8, 2014
INVENTOR(S) : Wiegel et al.

Page 1 of 1

It is certified that error appears in the above-identified patent and that said Letters Patent is hereby corrected as shown below:

On the Title Page

Item (72) Inventors, should read:

--(72) Inventors: **Aaron J. Wiegel**, Benton, WI (US);
Jason Dondlinger, Bellevue, IA (US);
Joe Korman, Dubuque, IA (US); **Lucas I.**
Paruch, Dubuque, IA (US); **Ronald P.**
Snyder, Dubuque, IA (US); **Andy Olson**,
Milwaukee, WI (US); **Charles**
Waugaman, Mequon, WI (US)--.

Signed and Sealed this
Twenty-third Day of May, 2017



Michelle K. Lee
Director of the United States Patent and Trademark Office