



US00D702395S

(12) **United States Design Patent**
Stolte et al.

(10) **Patent No.:** **US D702,395 S**
(45) **Date of Patent:** **** Apr. 8, 2014**

(54) **LIGHTING FIXTURE**

(71) Applicant: **Kenall Manufacturing Company**,
Gurnee, IL (US)

(72) Inventors: **Brandon Stolte**, Lindenhurst, IL (US);
Brad Wilson, Twin Lakes, WI (US)

(73) Assignee: **Kenall Manufacturing Company**,
Gurnee, IL (US)

(**) Term: **14 Years**

(21) Appl. No.: **29/449,719**

(22) Filed: **Mar. 15, 2013**

(51) **LOC (10) Cl.** **26-99**

(52) **U.S. Cl.**
USPC **D26/118**

(58) **Field of Classification Search**
USPC D26/25, 24, 26, 28, 113, 118, 119, 120,
D26/64, 65, 72, 74, 75, 73, 68, 69, 70, 71,
D26/152, 153, 154, 122, 123, 145, 155, 121,
D26/138, 139, 86, 85, 87, 89, 66, 67, 76, 77,
D26/78, 84, 88, 95, 96, 124, 125, 126, 227,
D26/128, 129, 146, 144, 130, 151, 142, 143,
D26/140, 141, 45, 38, 39, 1, 2, 3, 127;
362/362, 326, 373, 623, 600, 371, 297,
362/294, 249.01, 249.03–249.05, 218;
D10/111, 113.1, 114.1; 257/88;
D13/179, 180

See application file for complete search history.

(56) **References Cited**

U.S. PATENT DOCUMENTS

D200,118 S * 1/1965 Van Steenhoven D26/71
D228,795 S * 10/1973 Peasley D26/85
4,914,182 A 4/1990 Pfeifer et al.

(Continued)

Primary Examiner — Kevin Rudzinsky

(74) *Attorney, Agent, or Firm* — Marshall, Gerstein & Borun
LLP; Randall G. Rueth

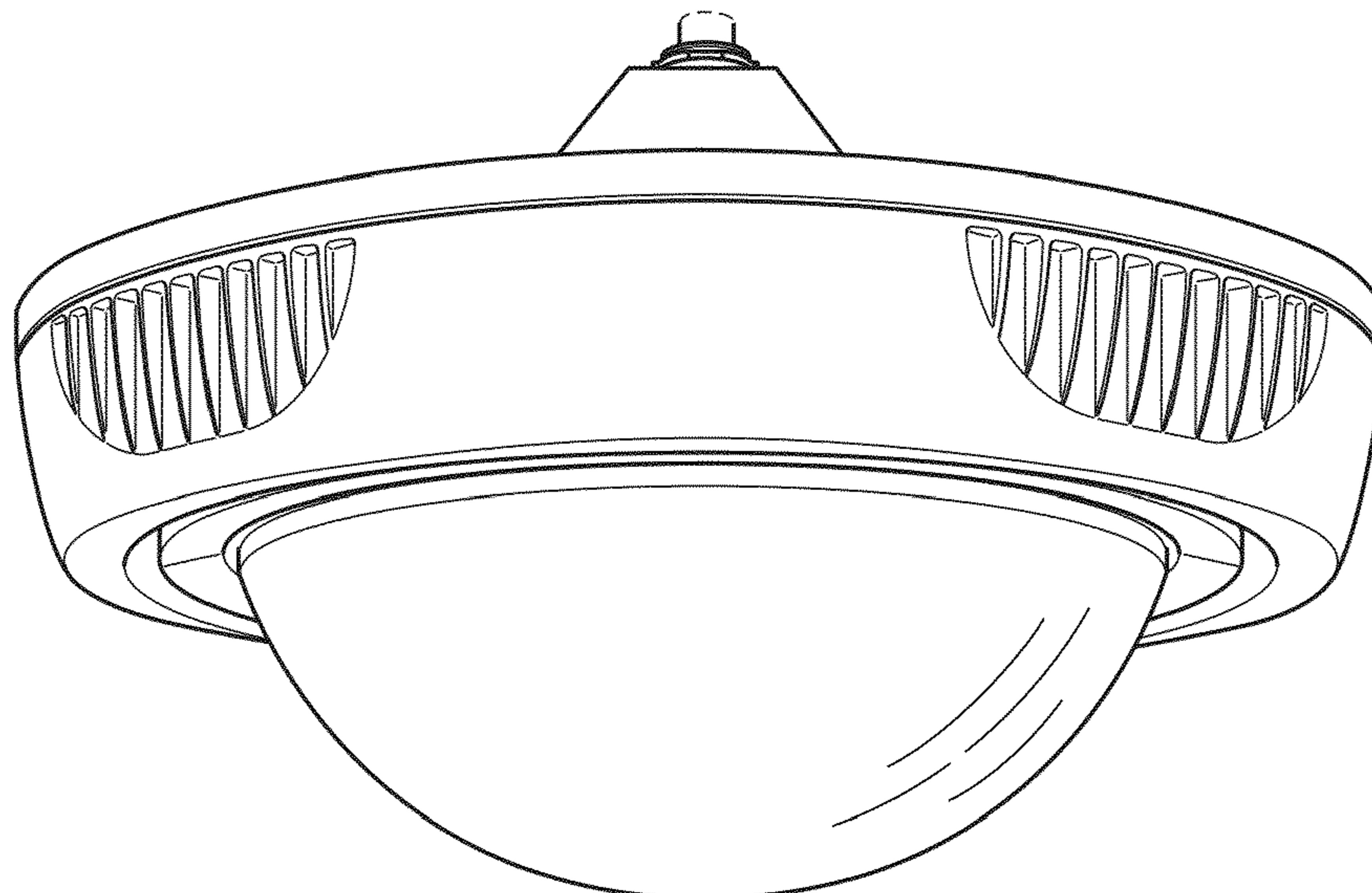
(57) **CLAIM**

The ornamental design for a lighting fixture, as shown and
described.

DESCRIPTION

FIG. 1 is a perspective view showing a new design for a
lighting fixture;
FIG. 2 is a front view of the lighting fixture of FIG. 1;
FIG. 3 is a right side view of the lighting fixture of FIG. 1;
FIG. 4 is a rear view of the lighting fixture of FIG. 1;
FIG. 5 is a left side view of the lighting fixture of FIG. 1;
FIG. 6 is a top plan view of the lighting fixture of FIG. 1;
FIG. 7 is a bottom plan view of the lighting fixture of FIG. 1;
FIG. 8 is a perspective view showing a second embodiment of
a new design for a lighting fixture;
FIG. 9 is a front view of the lighting fixture of FIG. 8;
FIG. 10 is a right side view of the lighting fixture of FIG. 8;
FIG. 11 is a rear of the lighting fixture of FIG. 8;
FIG. 12 is a left side view of the lighting fixture of FIG. 8;
FIG. 13 is a top plan view of the lighting fixture of FIG. 8; and,
FIG. 14 is a bottom plan view of the lighting fixture of FIG. 8.
The broken lines showing portions of the lighting fixture are
included for the purpose of illustrating environment and form
no part of the claimed design.

1 Claim, 9 Drawing Sheets



(56)

References Cited

U.S. PATENT DOCUMENTS

D402,382 S *	12/1998	Pearce et al.	D26/85	D634,053 S *	3/2011	Guercio	D26/89
D406,377 S *	3/1999	Pearce et al.	D26/85	D634,057 S *	3/2011	Nguyen et al.	D26/89
D443,713 S *	6/2001	Benensohn	D26/72	D639,996 S *	6/2011	Stolte et al.	D26/89
6,623,143 B2 *	9/2003	Anderson	362/297	D652,980 S *	1/2012	Yoshida et al.	D26/89
7,144,135 B2	12/2006	Martin et al.		D655,849 S *	3/2012	Sabernig	D26/85
D551,795 S *	9/2007	Compton et al.	D26/89	D657,088 S *	4/2012	Miro	D26/89
D567,773 S *	4/2008	Kamada	D13/180	D666,350 S *	8/2012	Lee	D26/89
D571,034 S *	6/2008	Goetz-Schaefer	D26/85	8,240,885 B2	8/2012	Miller	
D625,038 S *	10/2010	Yoo	D26/85	8,272,765 B2	9/2012	Ter-Hovhannisyan	
				D668,811 S *	10/2012	Peter	D26/89
				2012/0176792 A1	7/2012	Stolte et al.	
				2012/0176797 A1 *	7/2012	Stolte et al.	362/294

* cited by examiner

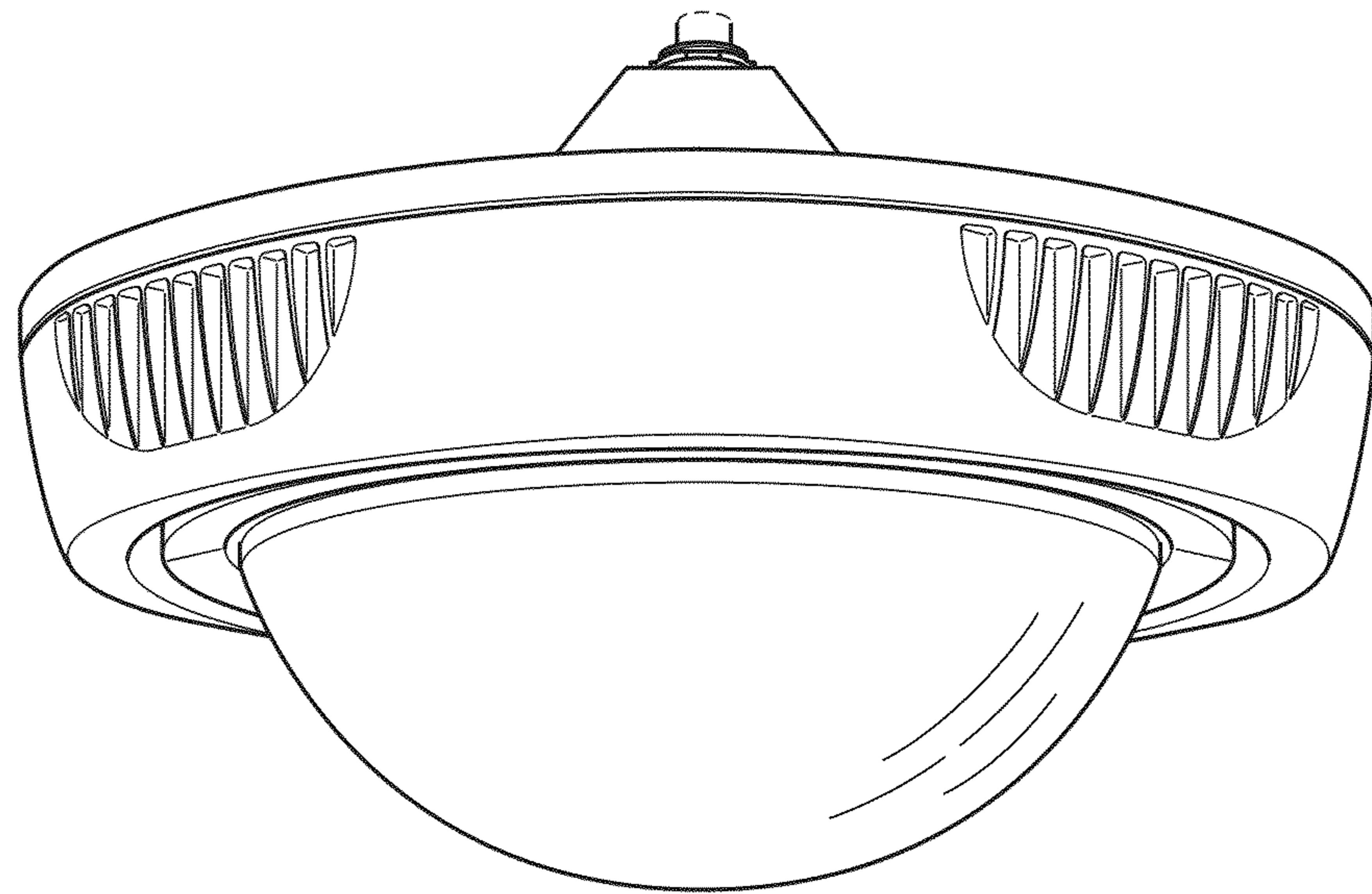


FIG. 1

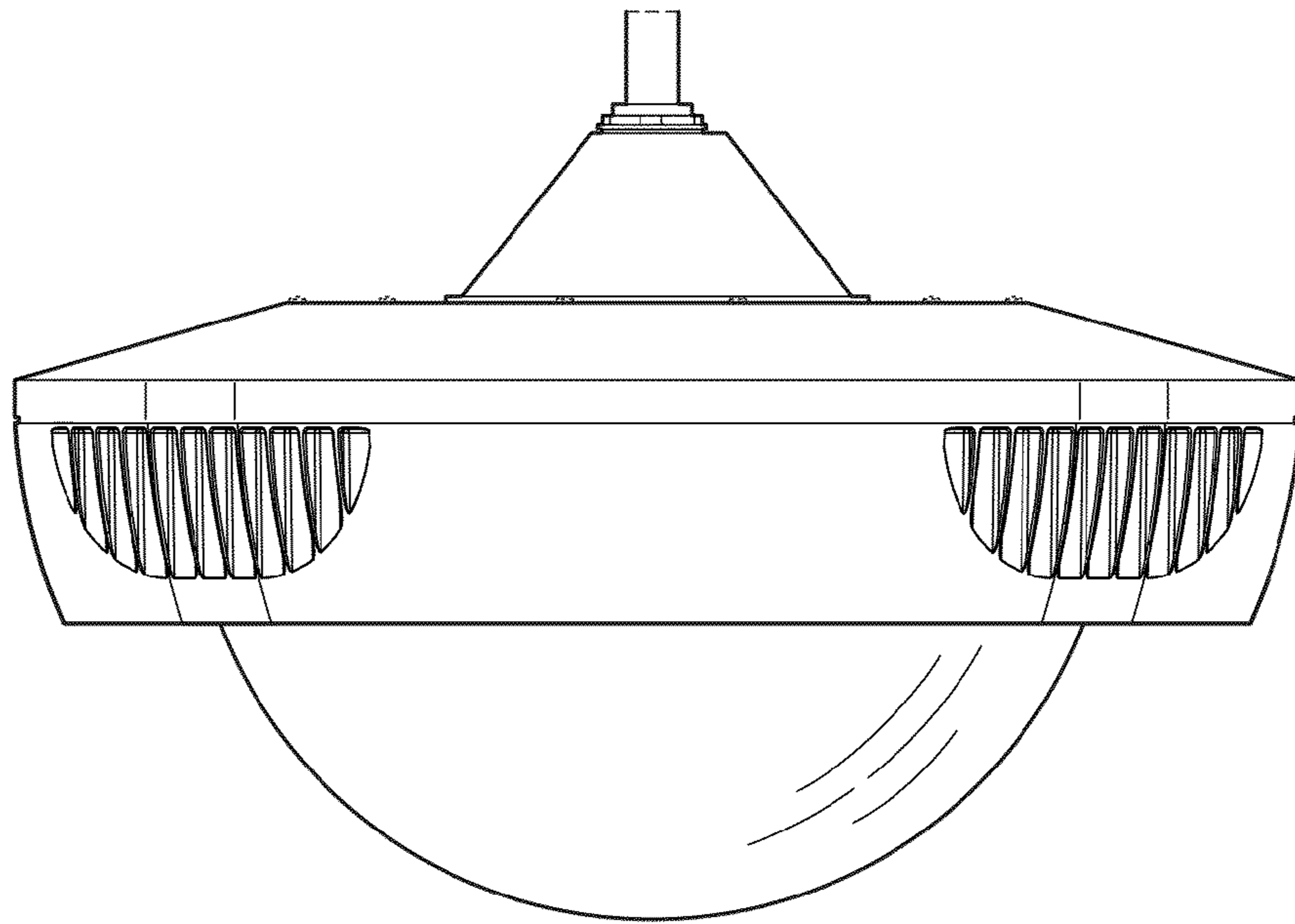


FIG. 2

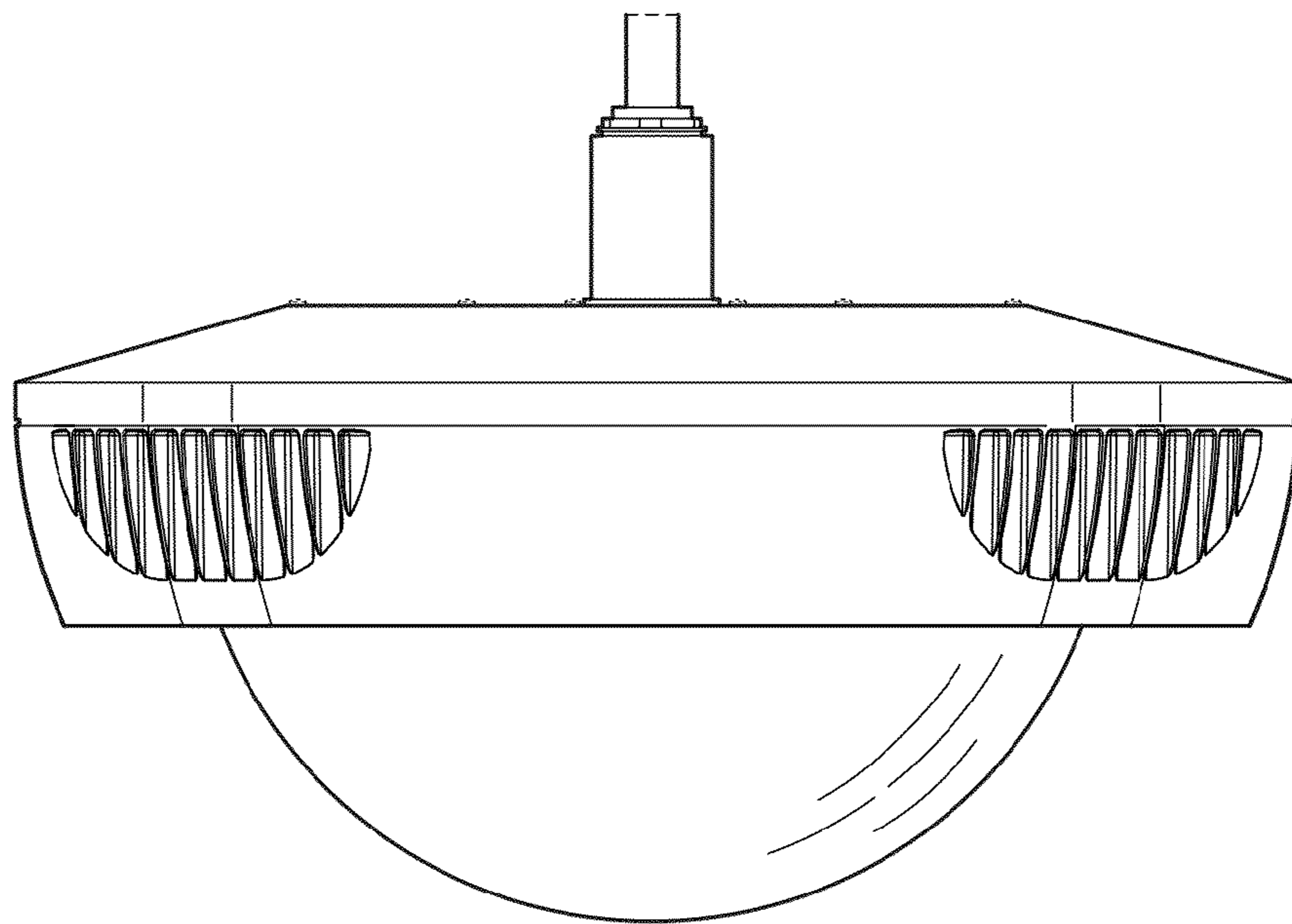


FIG. 3

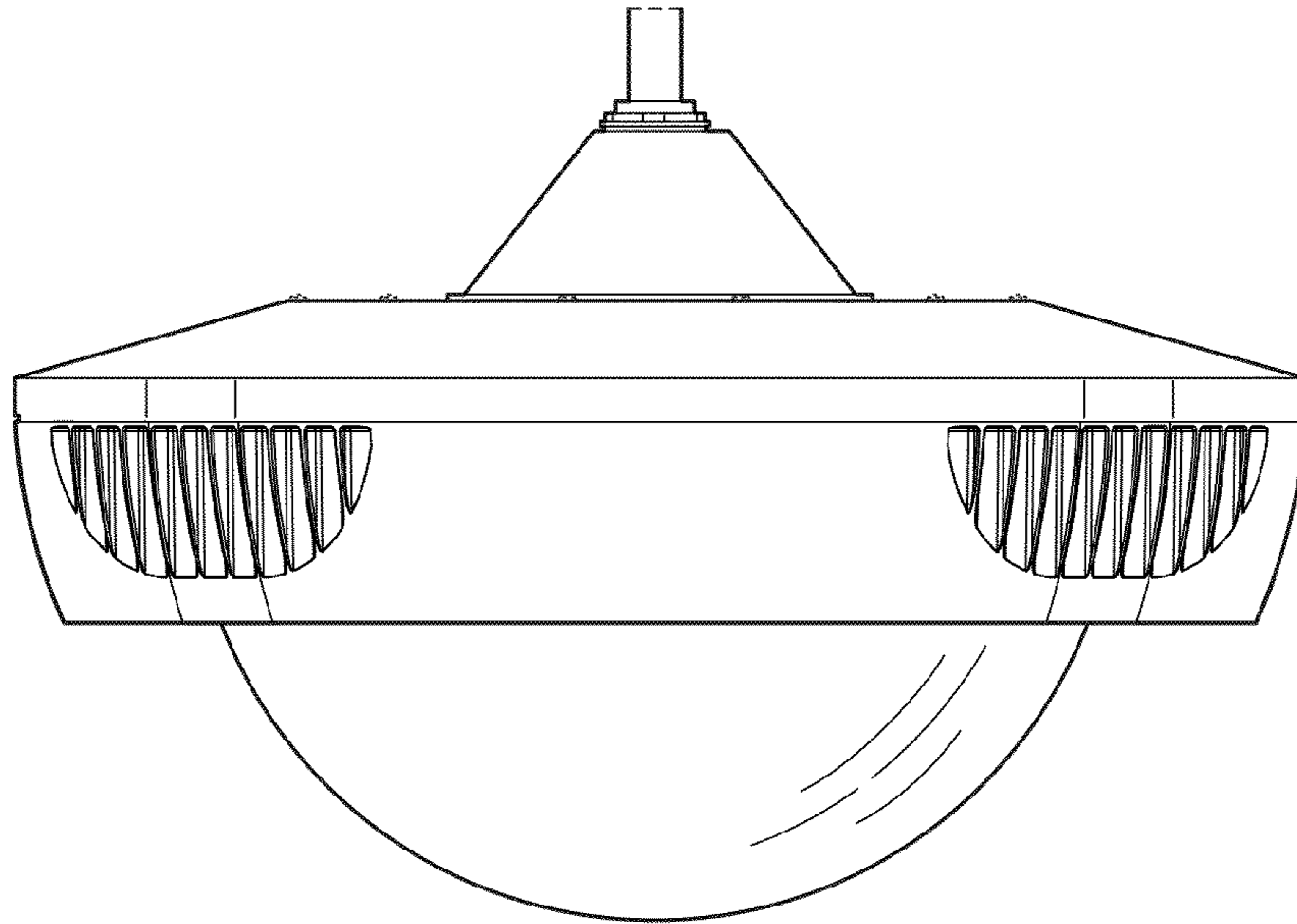


FIG. 4

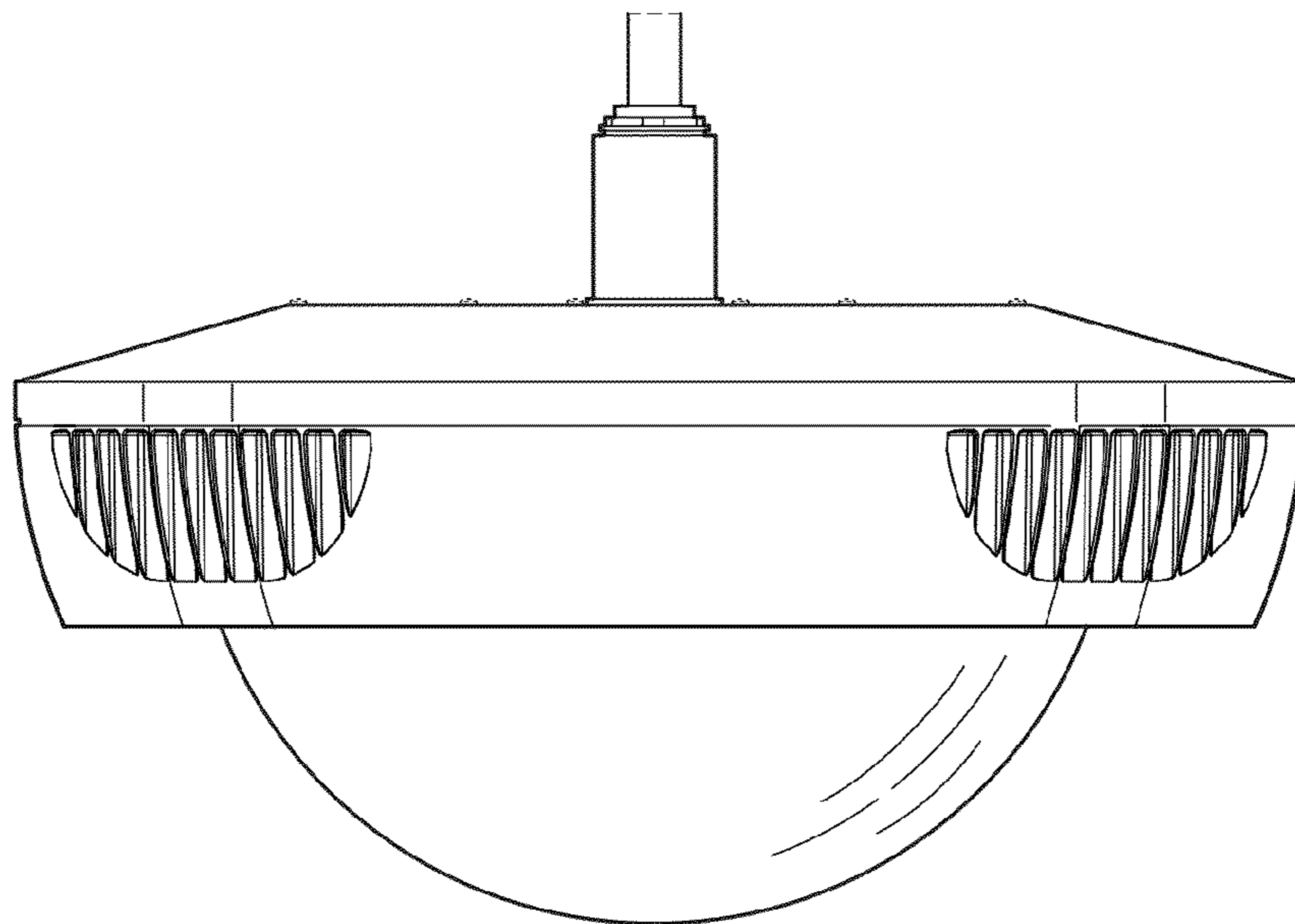


FIG. 5

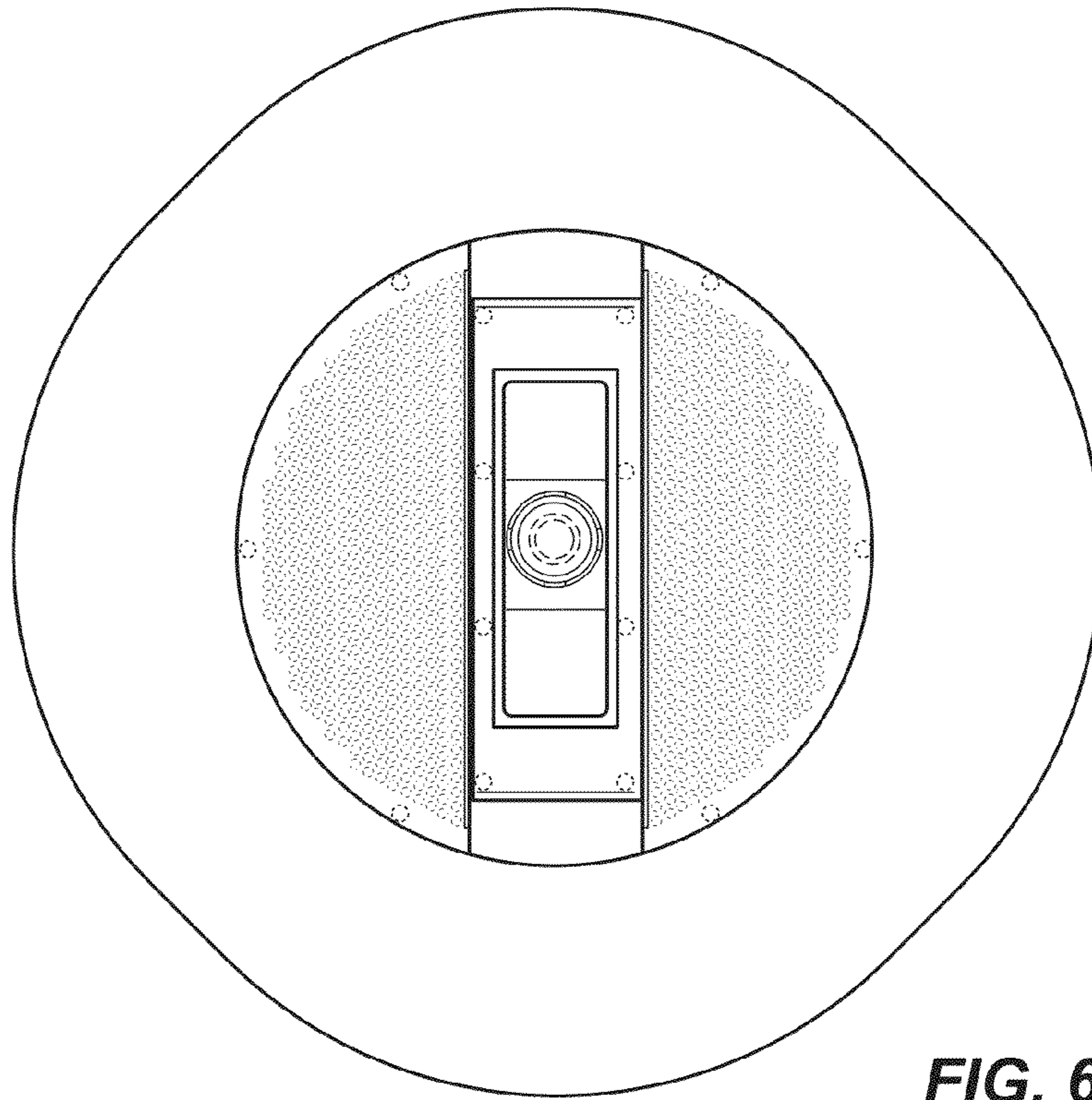


FIG. 6

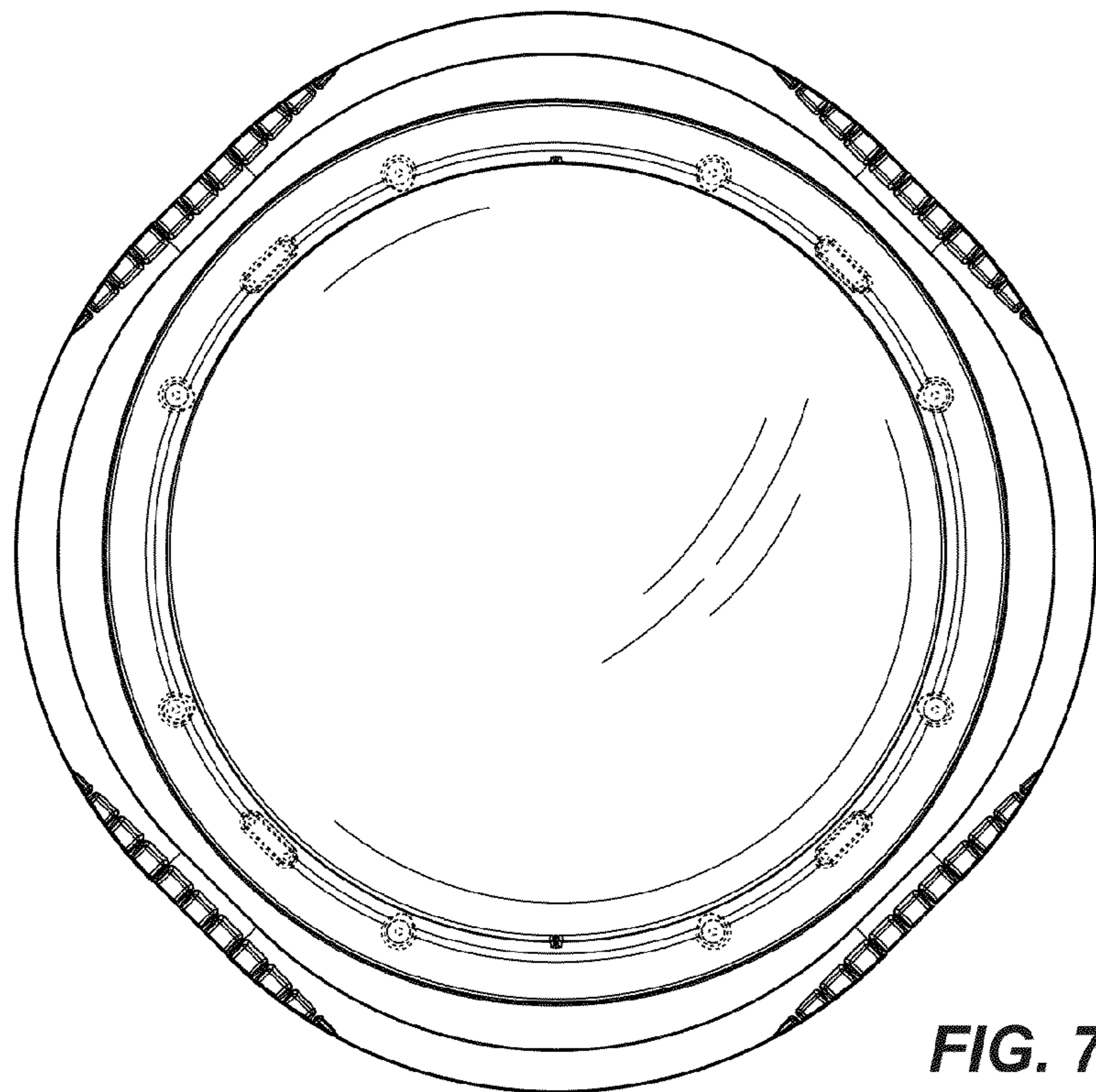


FIG. 7

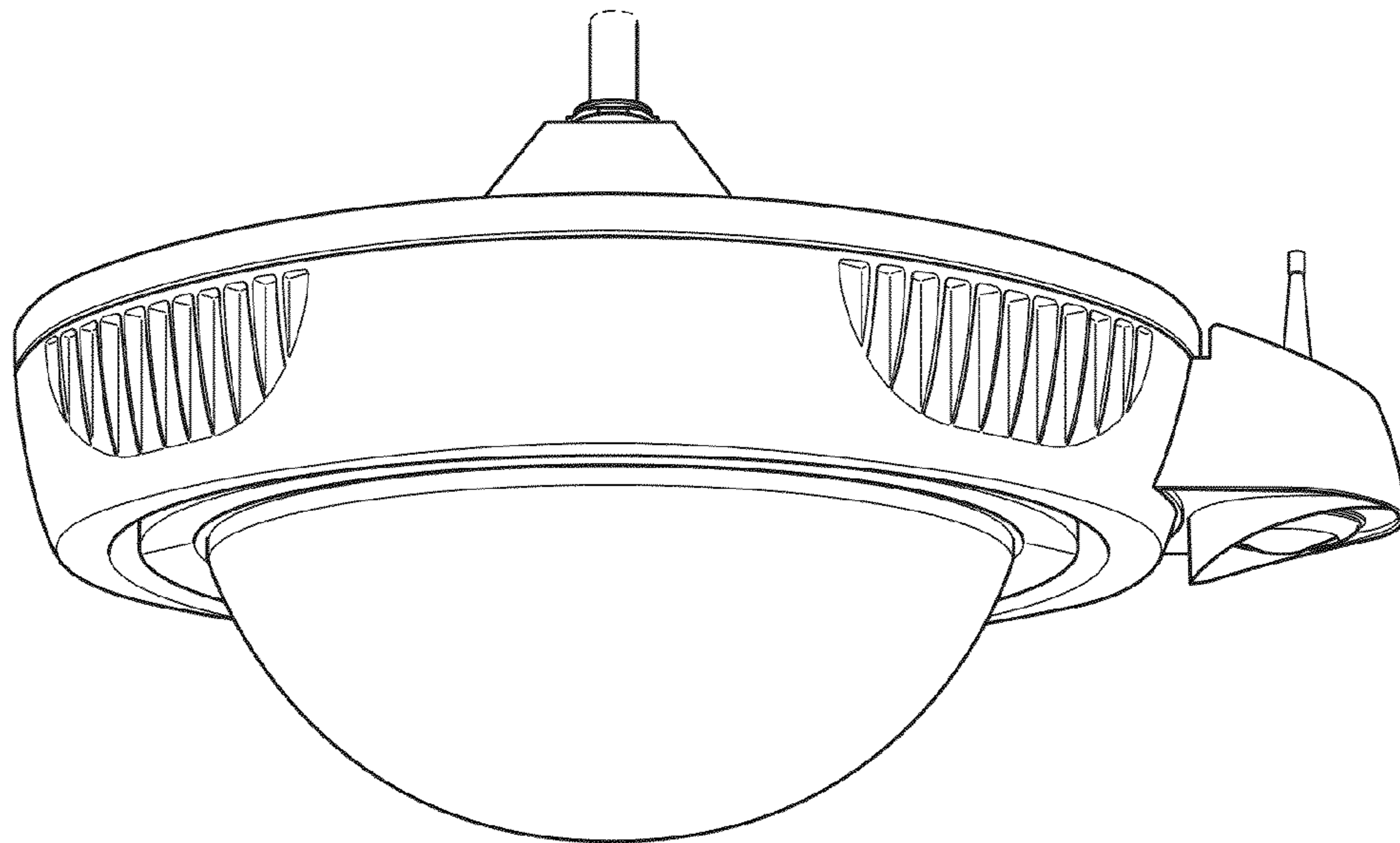


FIG. 8

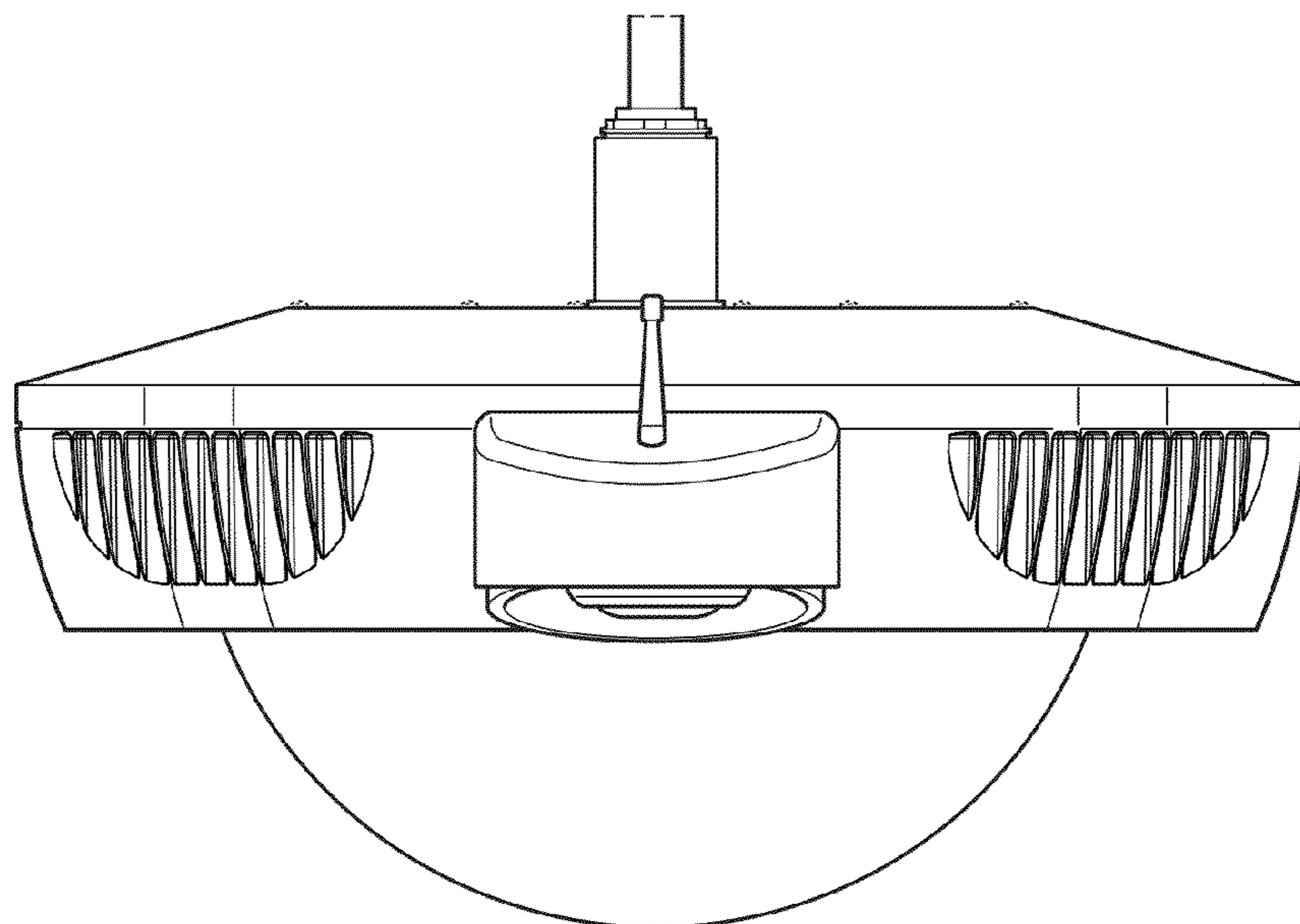


FIG. 9

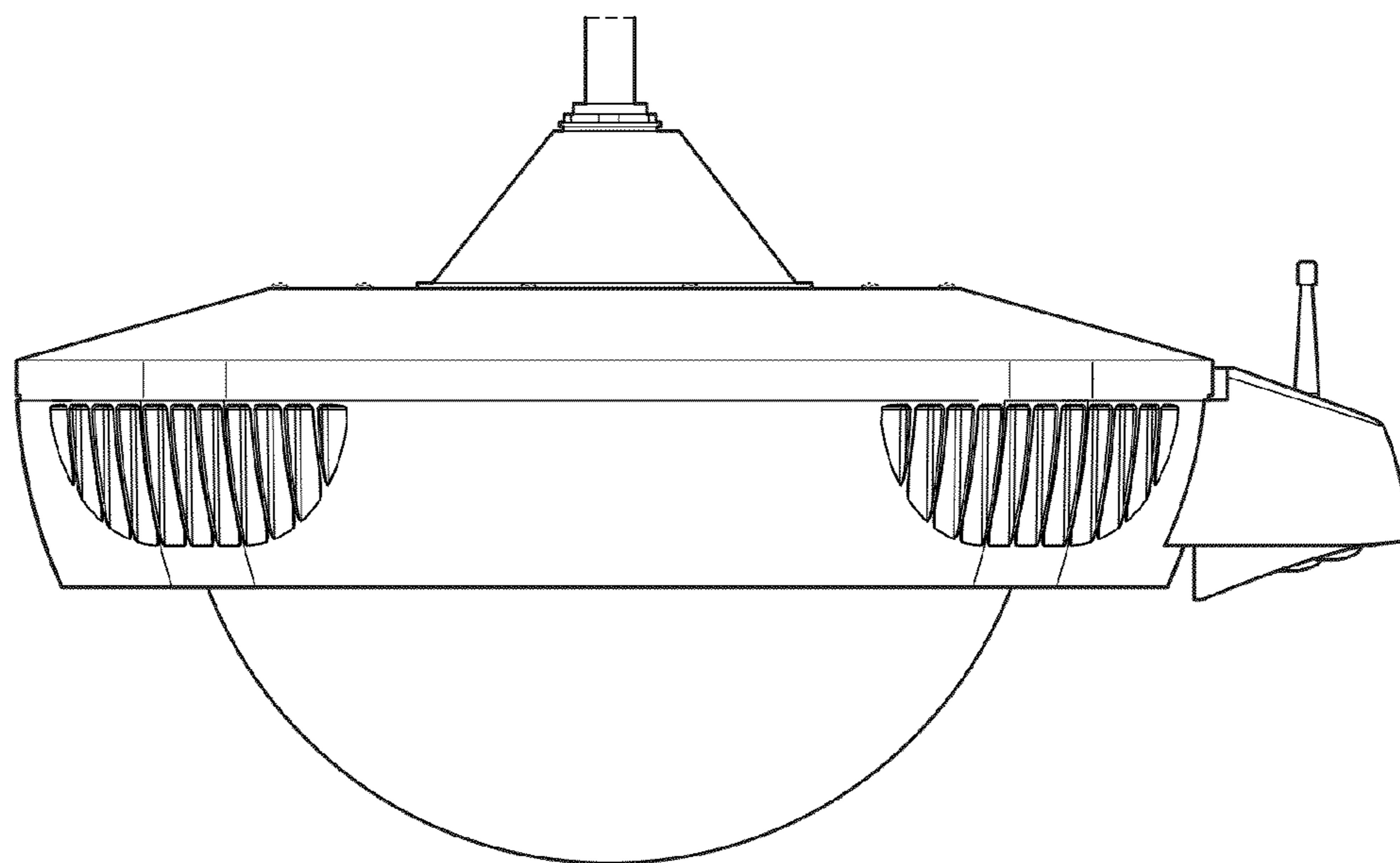


FIG. 10

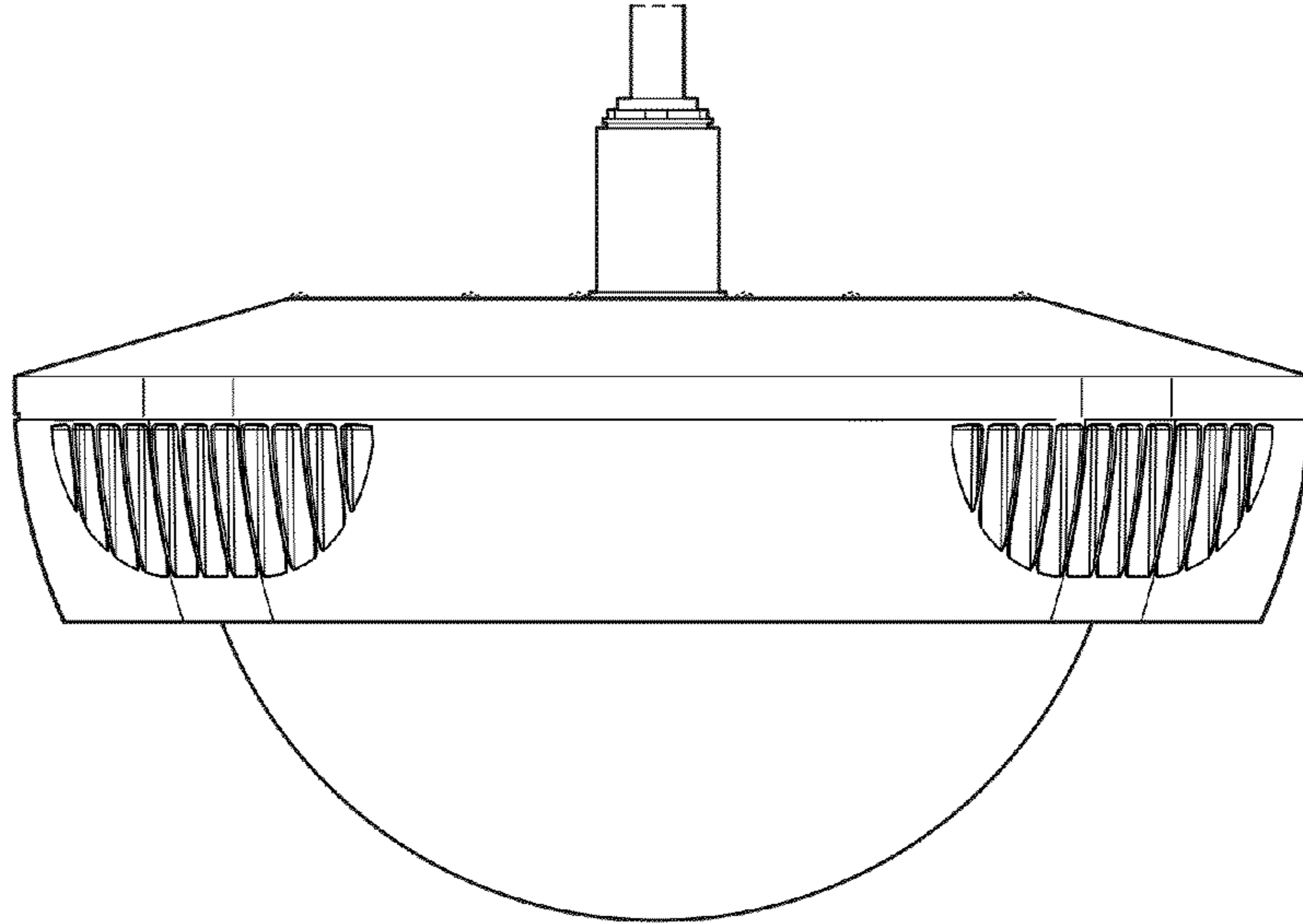


FIG. 11

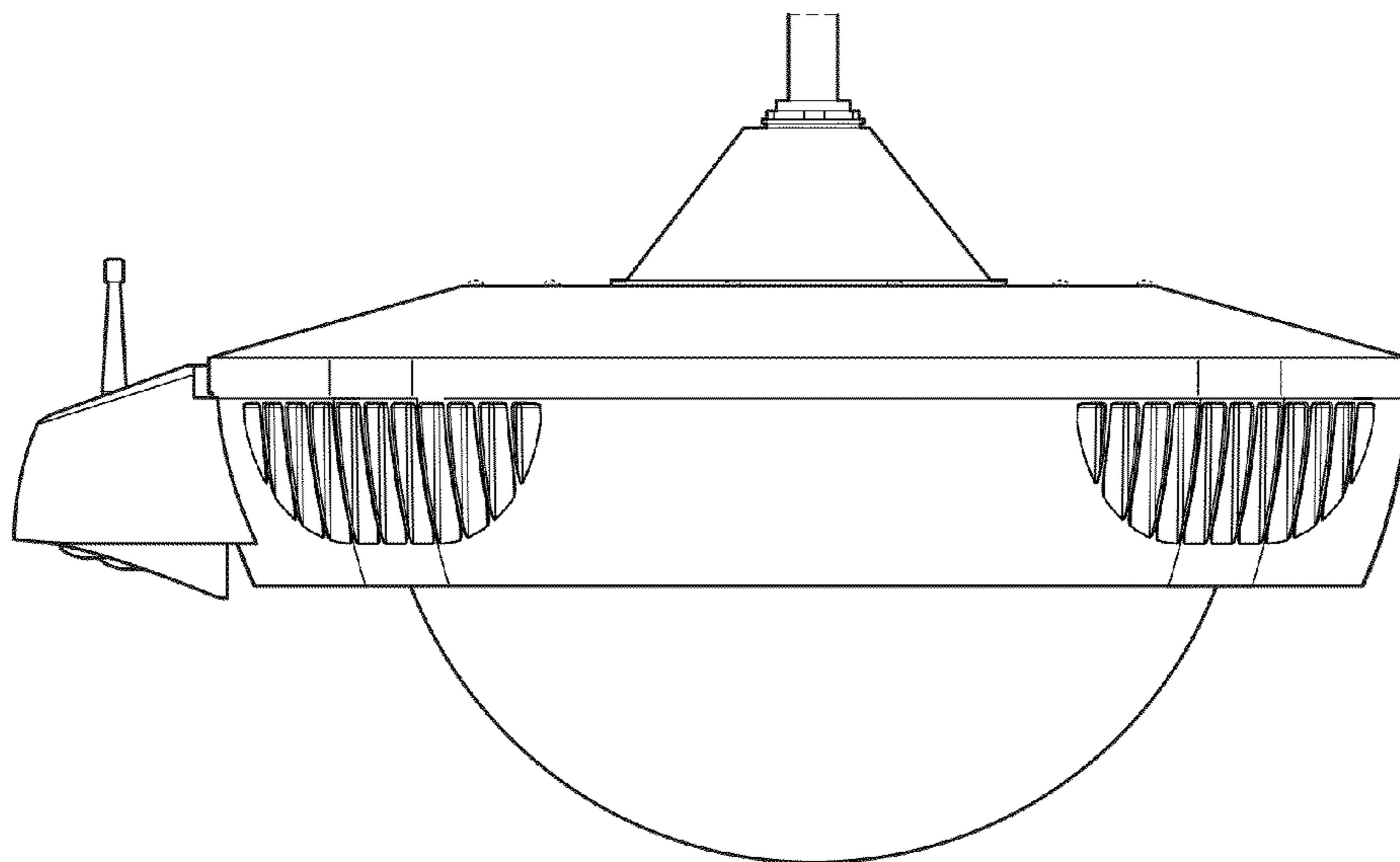


FIG. 12

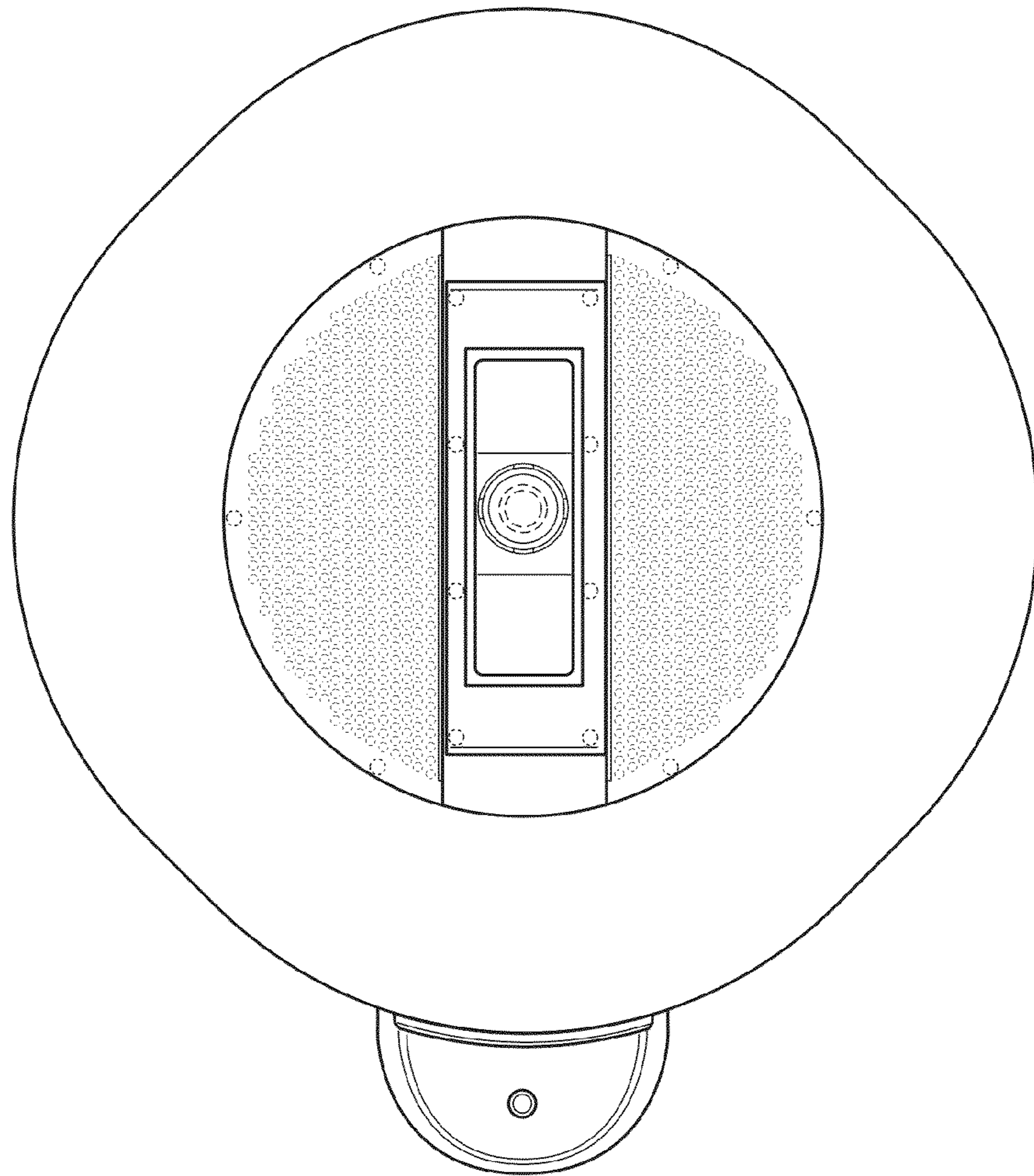


FIG. 13

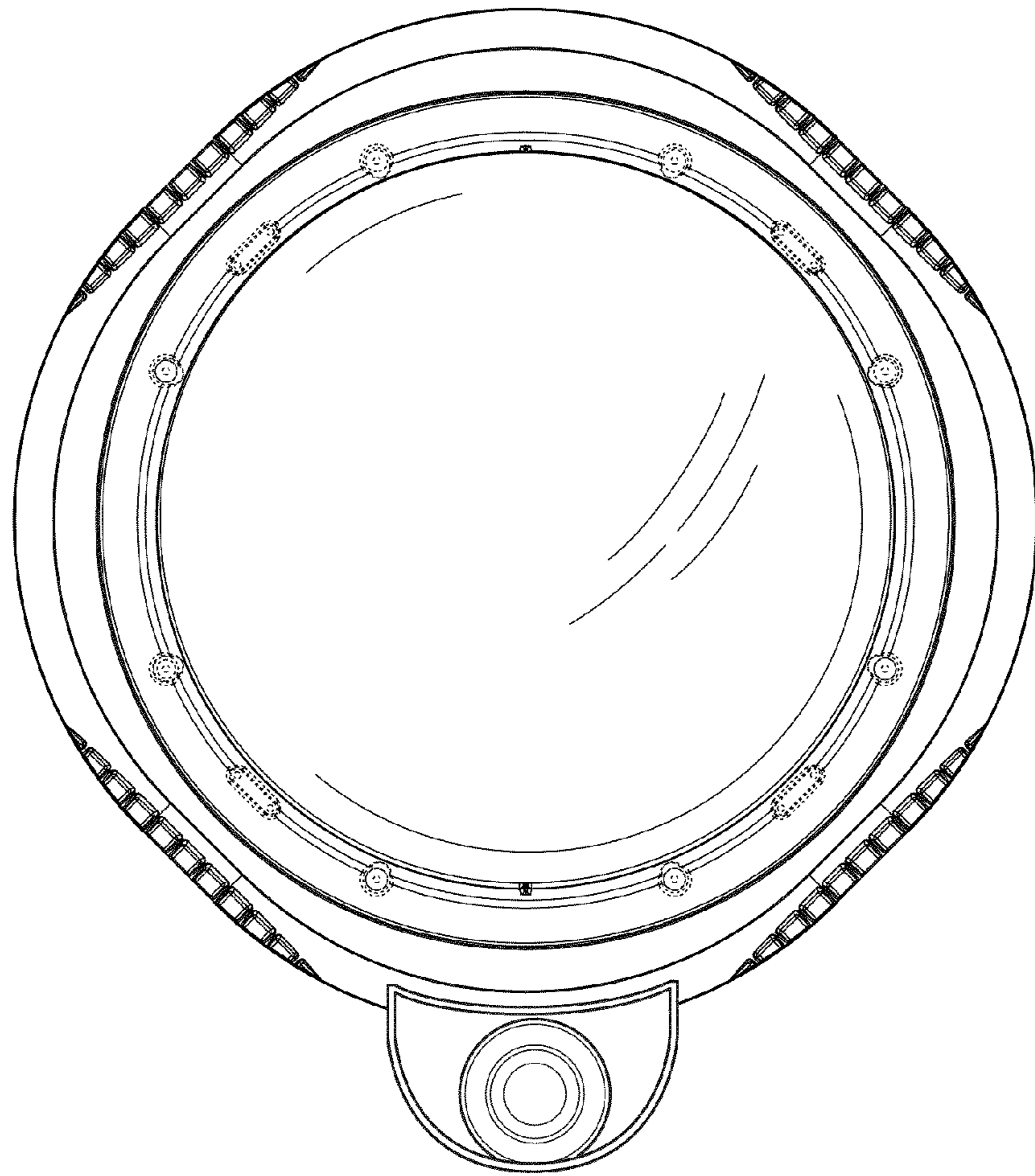


FIG. 14