



US00D702394S

(12) **United States Design Patent**
Shih et al.

(10) **Patent No.:** **US D702,394 S**

(45) **Date of Patent:** **** Apr. 8, 2014**

(54) **ILLUMINATION DEVICE**

(71) Applicant: **All Real Technology Co., Ltd.**,
Kaohsiung (TW)

(72) Inventors: **Chuan-Feng Shih**, Kaohsiung (TW);
Sheng-Wen Fu, Kaohsiung (TW);
Hsuan-Ta Wu, Kaohsiung (TW);
Chih-Ming Lai, Kaohsiung (TW)

(73) Assignee: **All Real Technology Co., Ltd.**, Luzhu
Dist., Kaohsiung (TW)

(**) Term: **14 Years**

(21) Appl. No.: **29/460,926**

(22) Filed: **Jul. 17, 2013**

(51) **LOC (10) Cl.** **26-99**

(52) **U.S. Cl.**
USPC **D26/113**

(58) **Field of Classification Search**
USPC D26/113, 1, 2, 3, 72, 76, 120, 119, 124,
D26/125, 78, 77, 138, 122, 123, 74, 75, 118,
D26/68, 62, 65, 127, 128, 142, 66, 69, 73,
D26/84, 86, 89, 45, 56, 57, 58, 59, 64, 67,
D26/82, 126, 134, 135, 136, 143, 145, 71,
D26/121, 129, 131, 132, 137, 140, 141, 151,
D26/152, 155, 154; 362/294, 374, 249.02,
362/154, 326; D13/110, 134, 146, 179, 180
See application file for complete search history.

(56) **References Cited**

U.S. PATENT DOCUMENTS

3,566,958	A *	3/1971	Zelina	165/80.3
4,715,438	A *	12/1987	Gabuzda et al.	165/185
4,753,290	A *	6/1988	Gabuzda	165/185
5,597,034	A *	1/1997	Barker et al.	165/80.3
D441,724	S *	5/2001	Chou et al.	D13/179
D441,725	S *	5/2001	Chou et al.	D13/179
D442,565	S *	5/2001	Chou et al.	D13/179
D442,566	S *	5/2001	Chou et al.	D13/179

D450,306	S *	11/2001	Lin et al.	D13/179
6,330,908	B1 *	12/2001	Lee et al.	165/185
D464,939	S *	10/2002	Chuang et al.	D13/179
D490,383	S *	5/2004	Tan et al.	D13/179
D500,745	S *	1/2005	Duan et al.	D13/179
D509,483	S *	9/2005	Watanabe et al.	D13/179
D593,963	S *	6/2009	Plonski et al.	D13/179
D603,810	S *	11/2009	Yang et al.	D13/179
D613,257	S *	4/2010	Clifton	D13/179
8,322,897	B2 *	12/2012	Blincoe et al.	362/373
D681,259	S *	4/2013	Kong	D26/113
2006/0196636	A1 *	9/2006	Liu	165/80.3
2009/0009999	A1 *	1/2009	Wang et al.	362/249
2009/0147517	A1 *	6/2009	Li et al.	362/249.02

FOREIGN PATENT DOCUMENTS

KR	300284555	11/2001
KR	300291347	2/2002
KR	300291348	2/2002
TW	102213	1/2005

* cited by examiner

Primary Examiner — Kevin Rudzinski

(74) *Attorney, Agent, or Firm* — Winston Hsu; Scott Margo

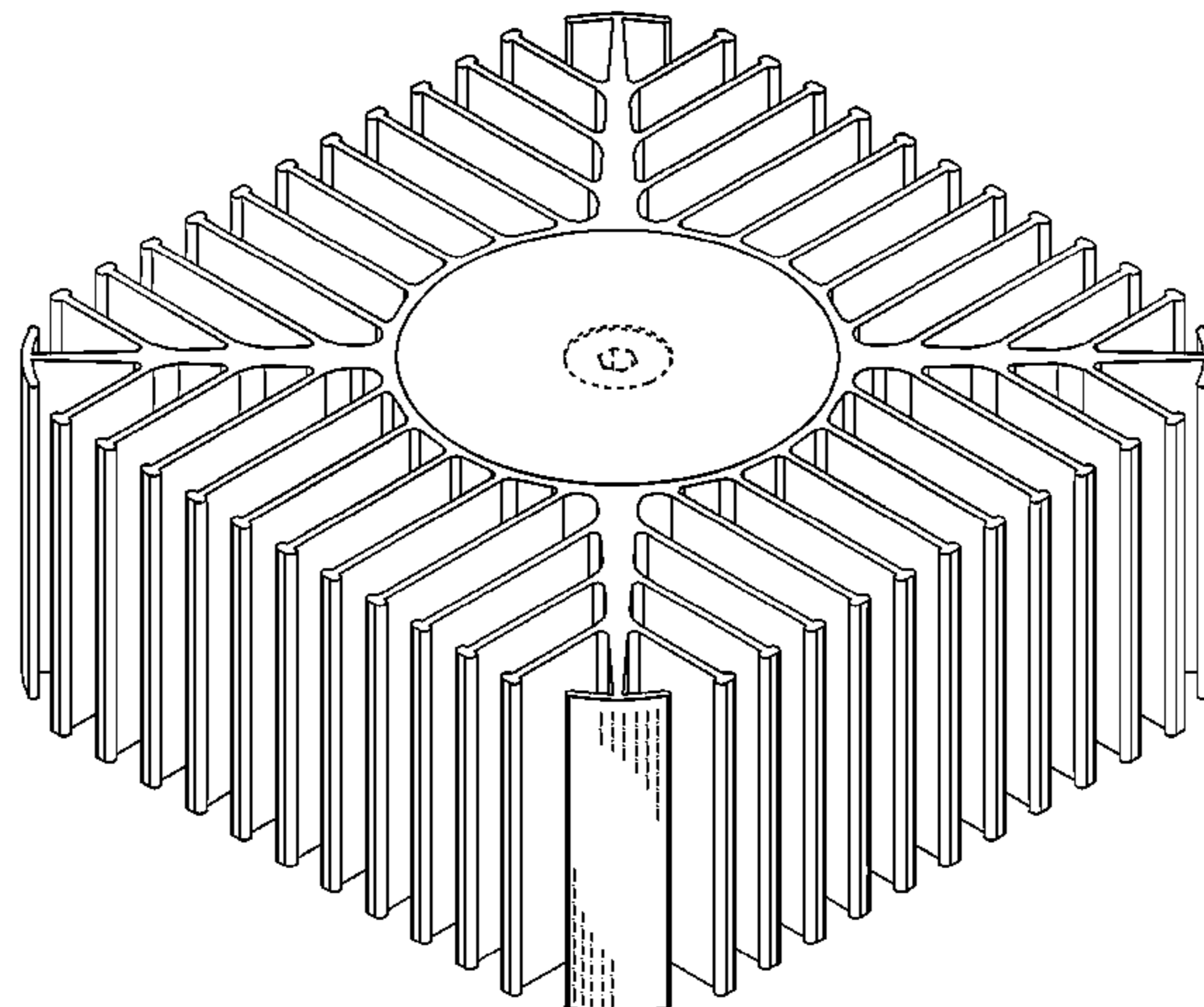
(57) **CLAIM**

We claim the ornamental design for an illumination device, as shown and described.

DESCRIPTION

FIG. 1 is a perspective view of an illumination device in accordance with the new design;
FIG. 2 is a front elevational view thereof;
FIG. 3 is a rear elevational view thereof;
FIG. 4 is a left side elevational view thereof;
FIG. 5 is a right side elevational view thereof;
FIG. 6 is a top plan view thereof;
FIG. 7 is a bottom plan view thereof; and,
FIG. 8 is another perspective view thereof.
The broken lines illustrating portions of the illumination device form no part of the claimed design.

1 Claim, 8 Drawing Sheets



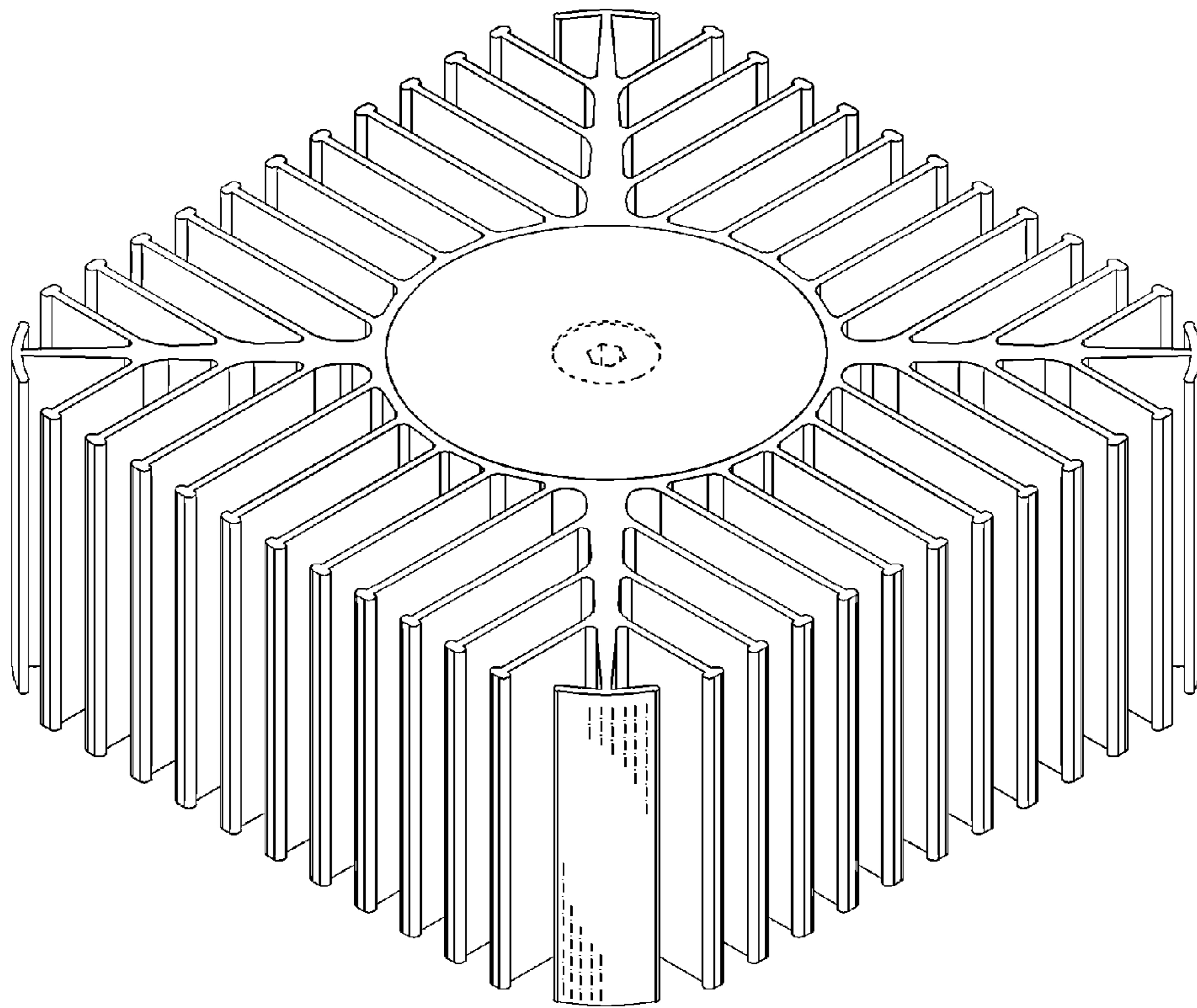


FIG. 1

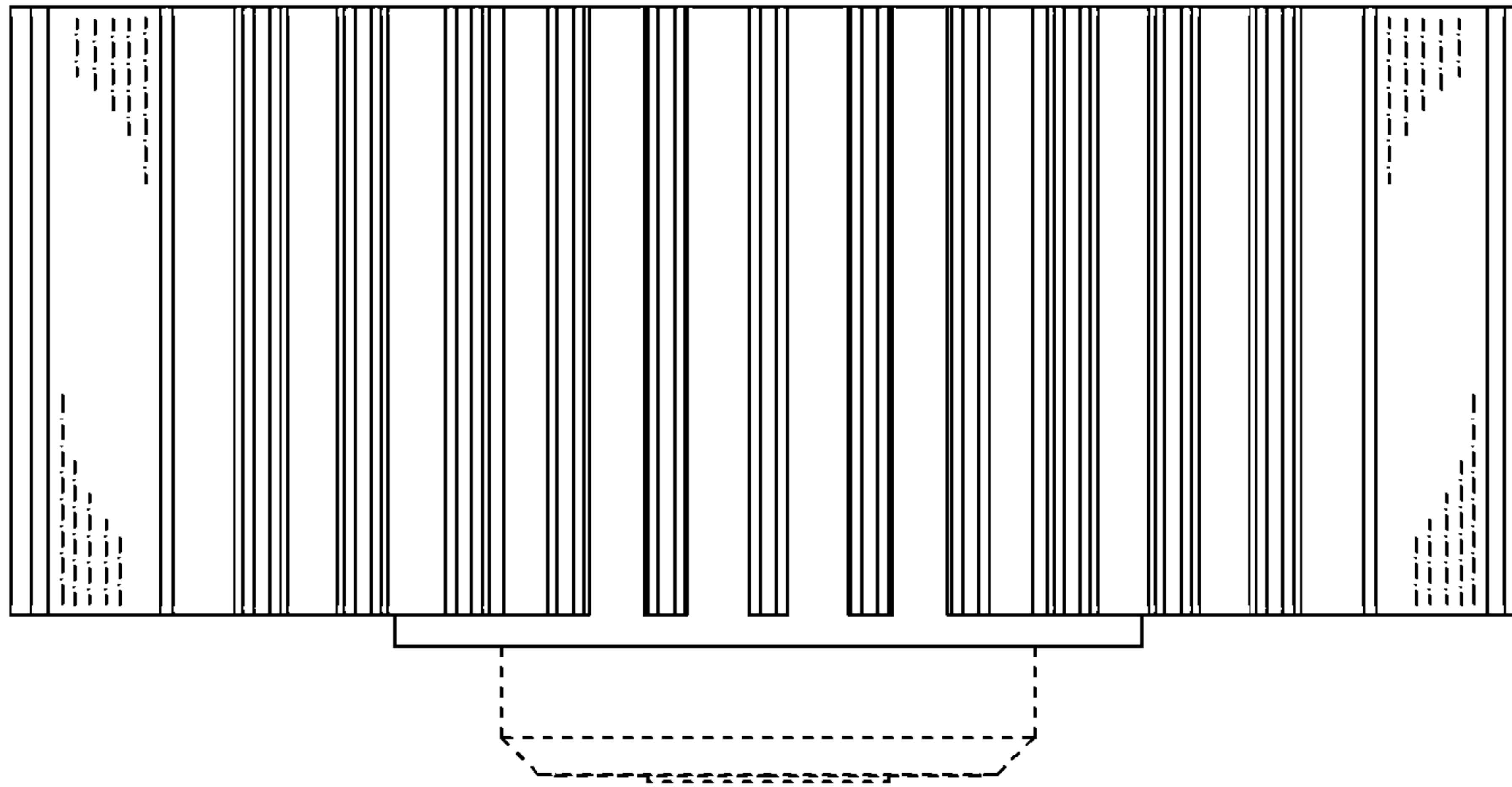


FIG. 2

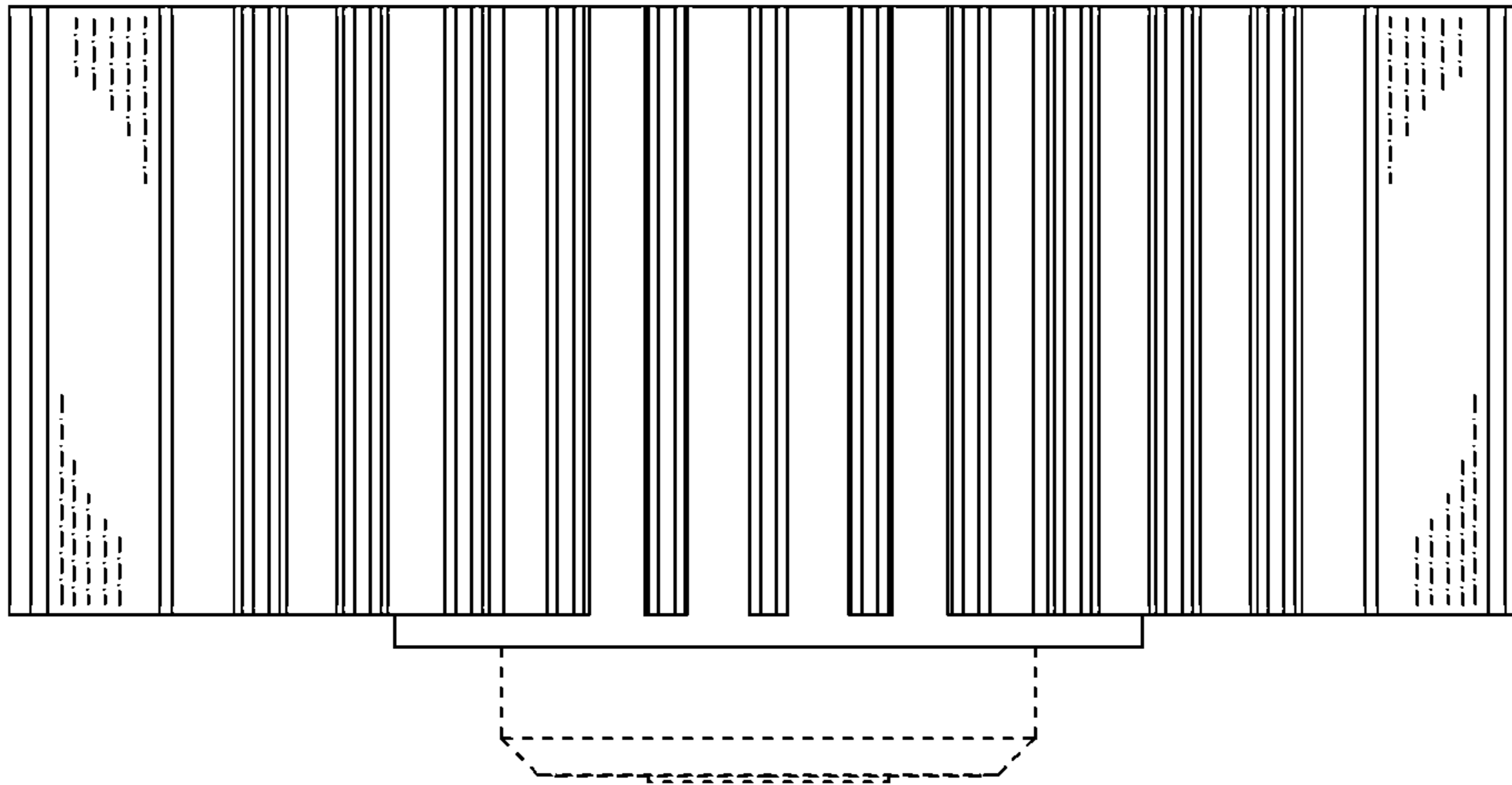


FIG. 3

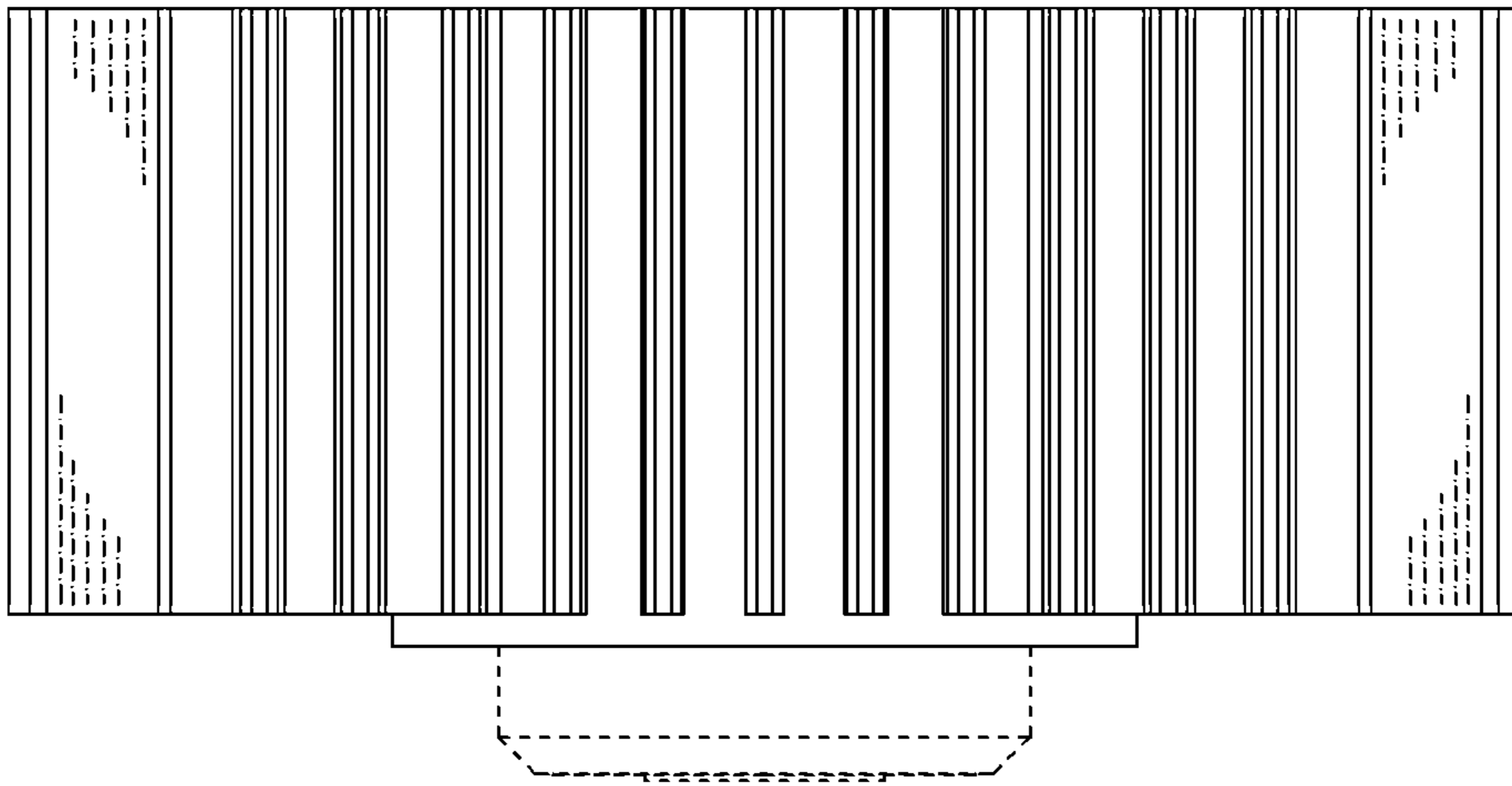


FIG. 4

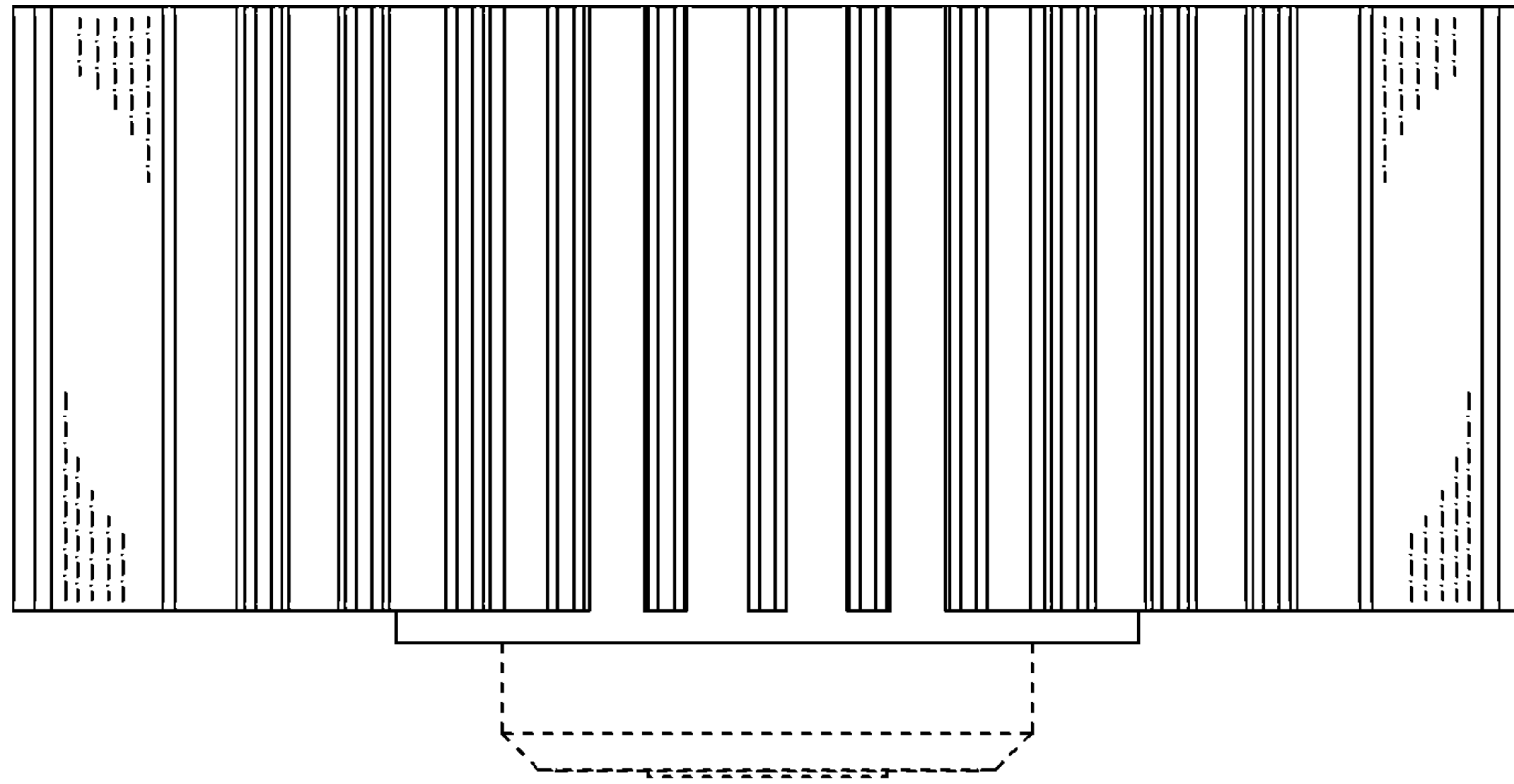


FIG. 5

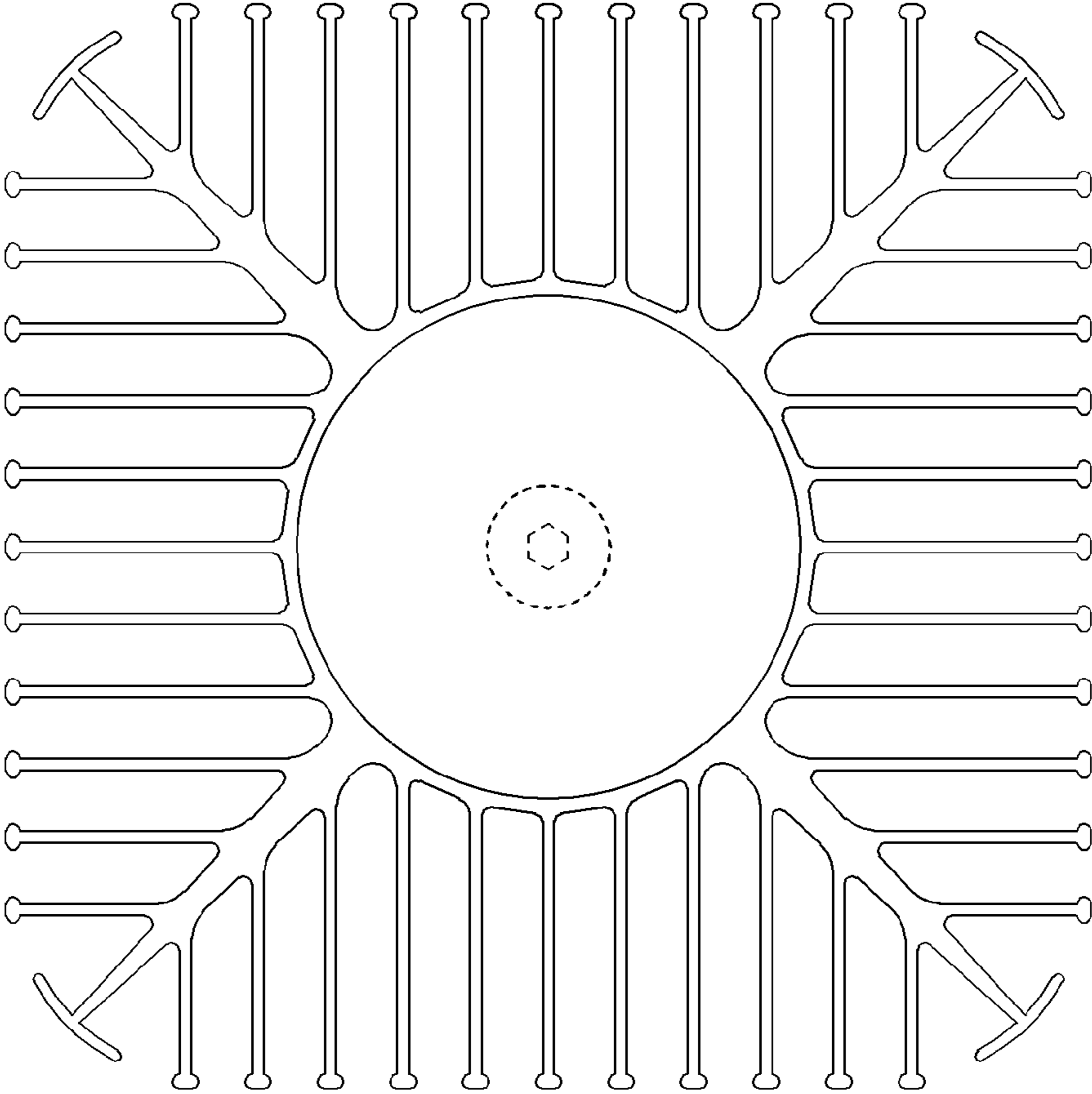


FIG. 6

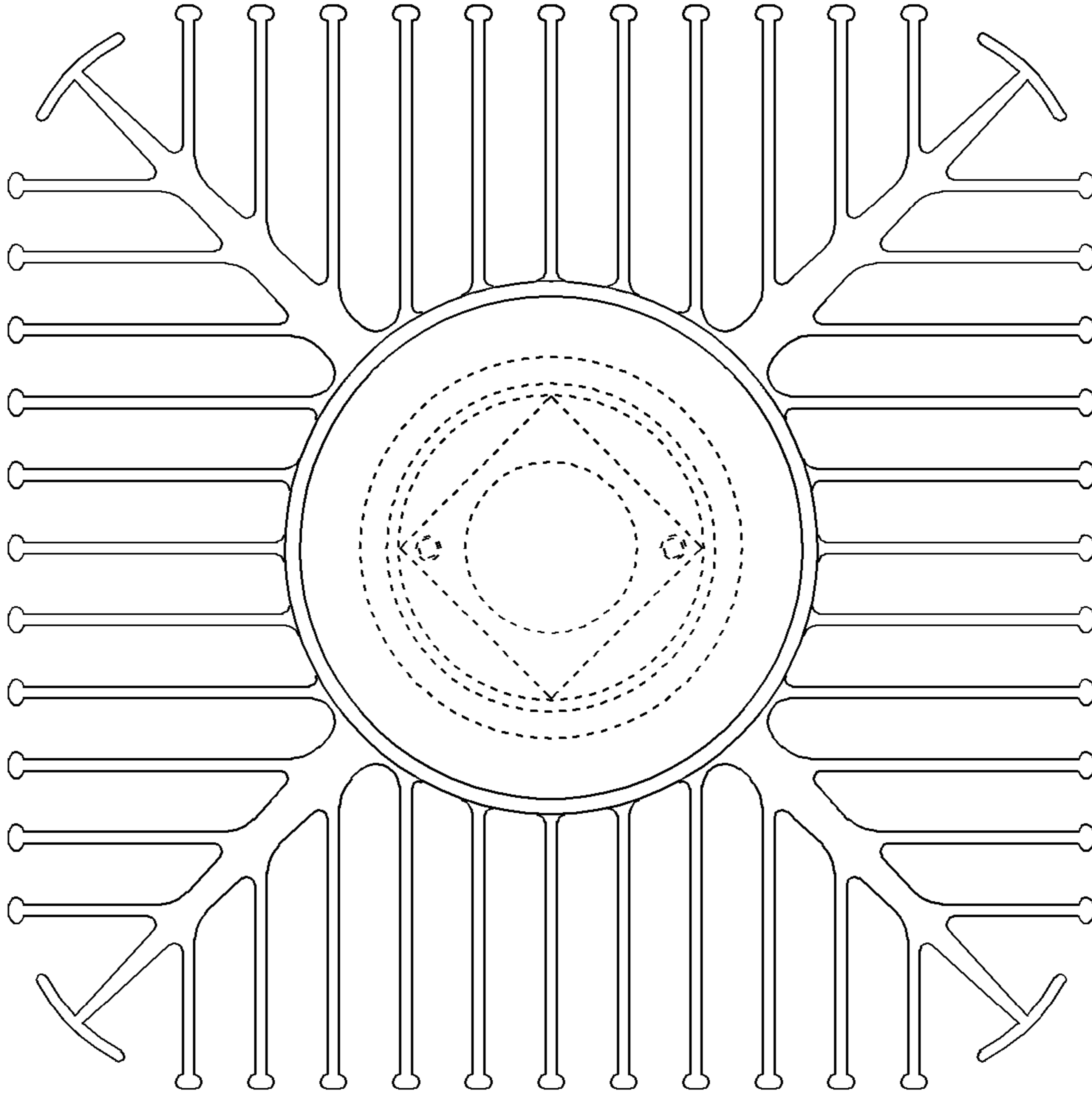


FIG. 7

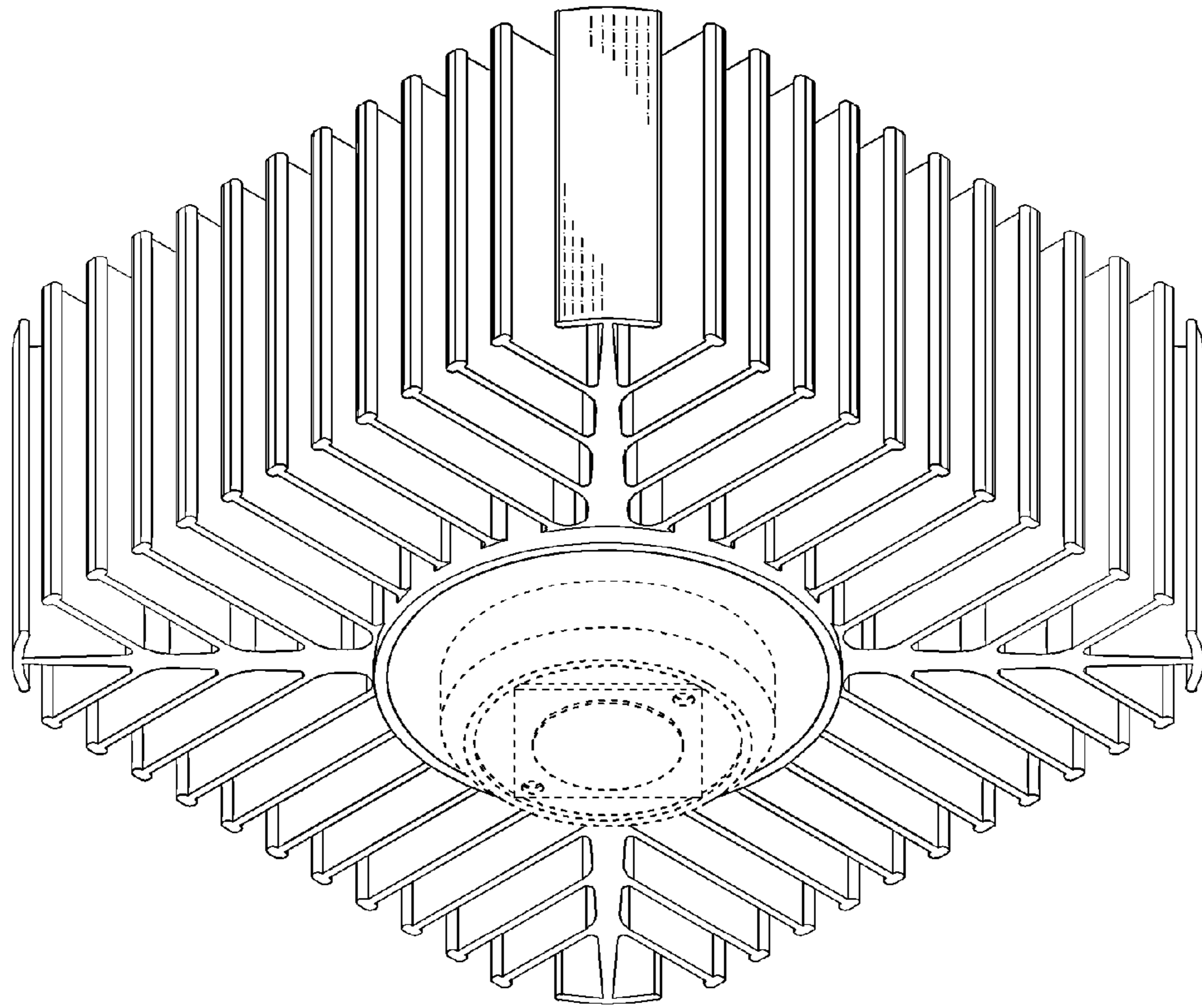


FIG. 8