



US00D702393S

(12) **United States Design Patent**
Ansierowicz et al.

(10) **Patent No.:** **US D702,393 S**

(45) **Date of Patent:** **** Apr. 8, 2014**

(54) **LED LAMP**

(71) Applicant: **Koninklijke Philips Electronics N.V.**,
Eindhoven (NL)

(72) Inventors: **Artur Ansierowicz**, Pila (PL); **Grzegorz Galko**, Mragowo (PL); **Hristea Mihalcea**, Cambridge (CA); **Jaroslav Szatrawski**, Ketrzyn (PL); **Mathew Lee Bembridge**, Rotterdam (NL)

(73) Assignee: **Koninklijke Philips N.V.**, Eindhoven (NL)

(**) Term: **14 Years**

(21) Appl. No.: **29/447,556**

(22) Filed: **Mar. 5, 2013**

(30) **Foreign Application Priority Data**

Sep. 5, 2012 (EM) 002097592-0002

(51) **LOC (10) Cl.** **26-03**

(52) **U.S. Cl.**
USPC **D26/89**

(58) **Field of Classification Search**
USPC D26/28, 72, 74, 80, 85, 89, 118;
362/147, 488-493, 363, 453-456
See application file for complete search history.

(56) **References Cited**

U.S. PATENT DOCUMENTS

D165,259 S * 11/1951 Baker D26/74
D221,351 S * 8/1971 Remington D26/86

D304,860 S * 11/1989 O'Dohanue et al. D26/67
D308,423 S * 6/1990 Galipeau et al. D26/67
D477,104 S * 7/2003 Wang D26/72
D551,379 S * 9/2007 Maxik D26/74
D562,492 S * 2/2008 Chen D26/85
D624,686 S * 9/2010 Toney, Jr. et al. D26/72
D629,146 S * 12/2010 van den Akker D26/89
D632,007 S * 2/2011 Kim et al. D26/120
D634,055 S * 3/2011 Hokazono et al. D26/89
D641,098 S * 7/2011 Wildner D26/89
D656,654 S * 3/2012 Wauters D26/89
D656,657 S * 3/2012 Wauters D26/89
D666,350 S * 8/2012 Lee D26/89
D668,374 S * 10/2012 Wauters D26/89
D676,172 S * 2/2013 Podgorschek et al. D26/71
D676,592 S * 2/2013 Salessi D26/89

* cited by examiner

Primary Examiner — Clare E Heflin

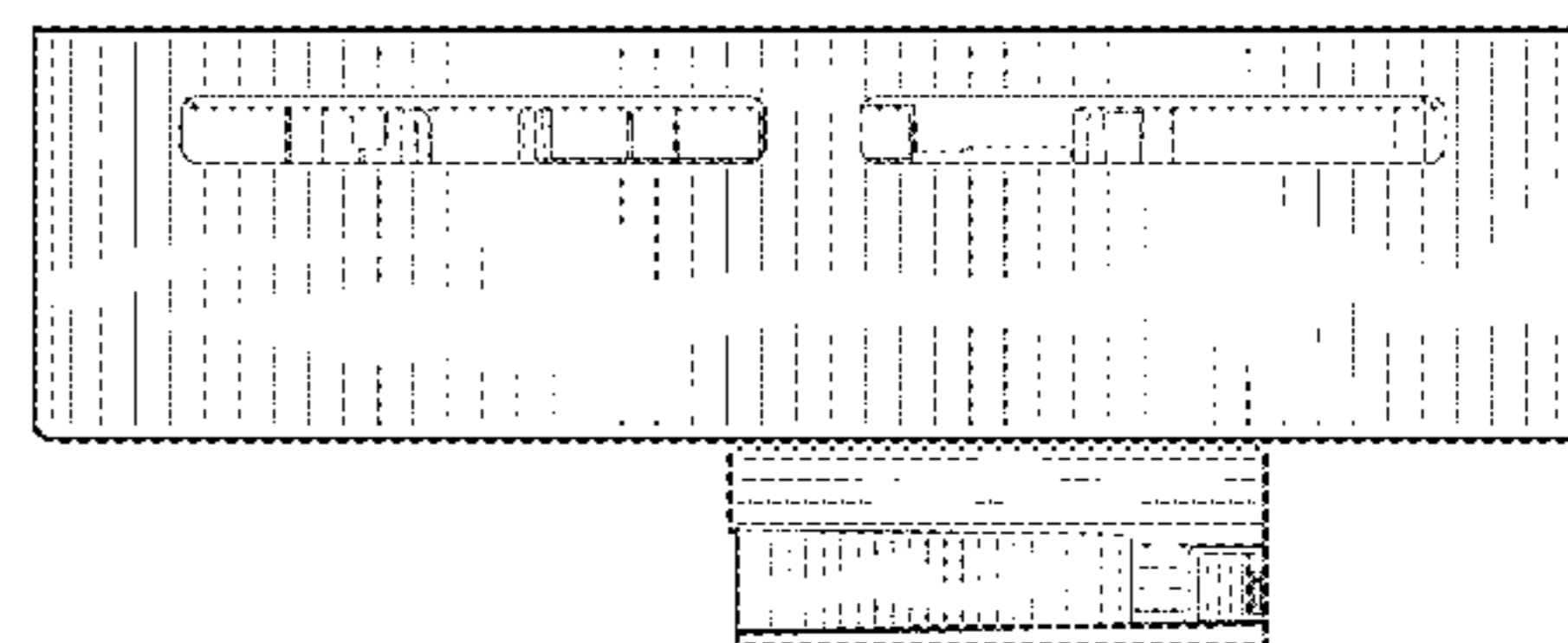
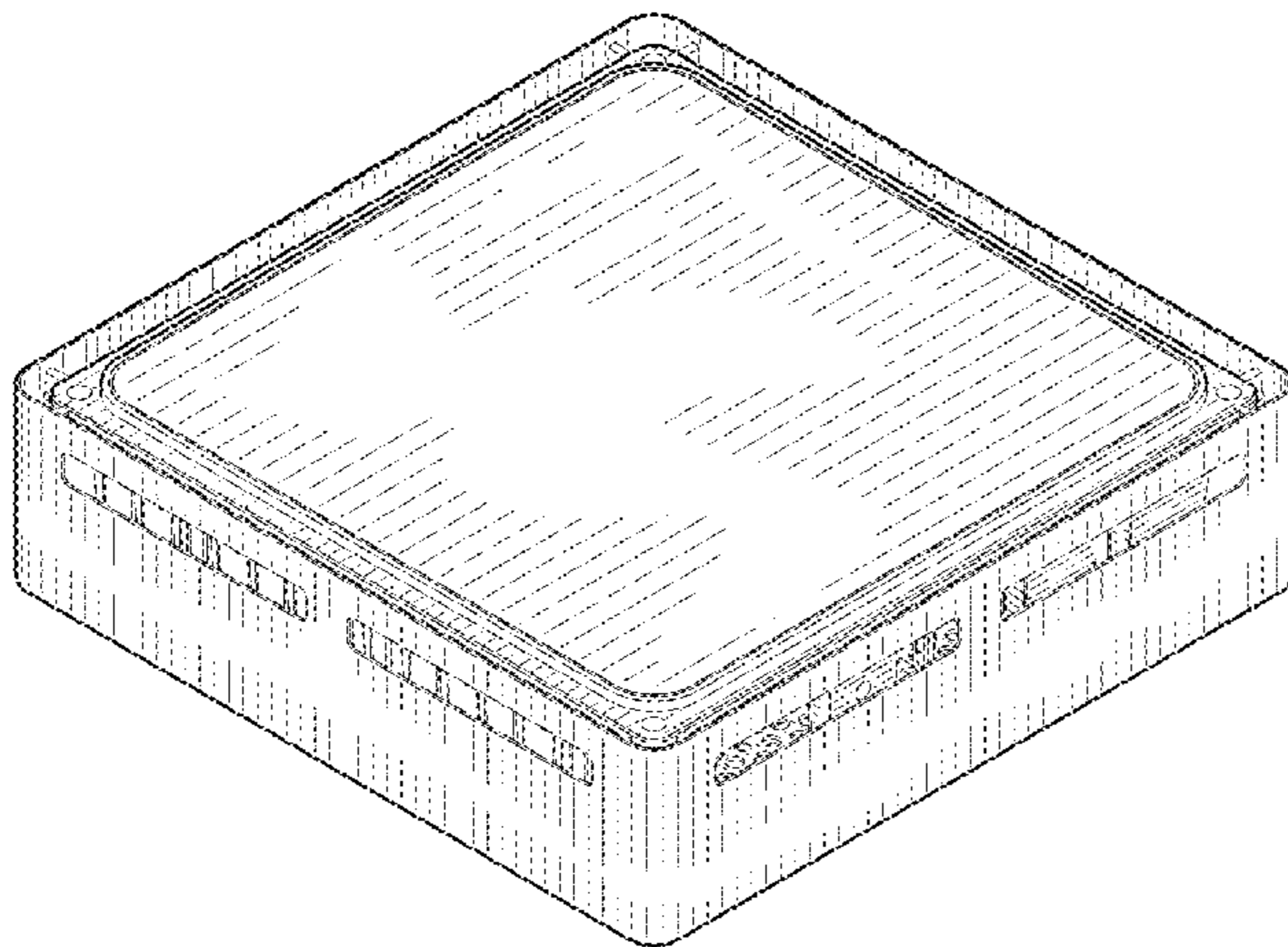
(57) **CLAIM**

The ornamental design for a LED lamp, as shown and described.

DESCRIPTION

FIG. 1 is a perspective view showing my design;
FIG. 2 is a front elevational view thereof;
FIG. 3 is a rear elevational view thereof;
FIG. 4 is a right side elevational view thereof;
FIG. 5 is a left side elevational view thereof;
FIG. 6 is a top plan view thereof; and,
FIG. 7 is a bottom plan view thereof.
The broken lines shown on the drawings depict portions of the lamp that form no part of the claimed design.

1 Claim, 4 Drawing Sheets



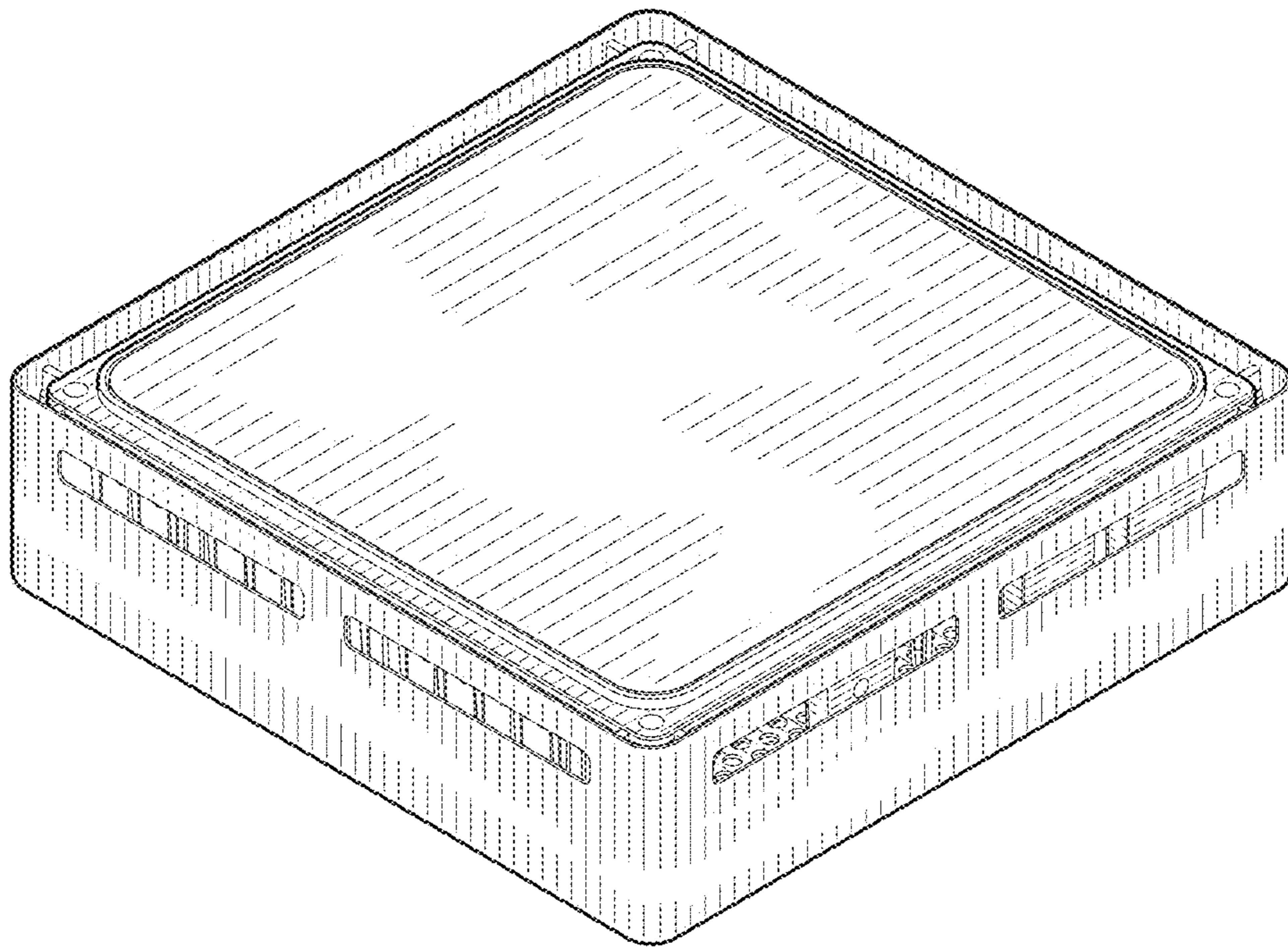


FIG. 1

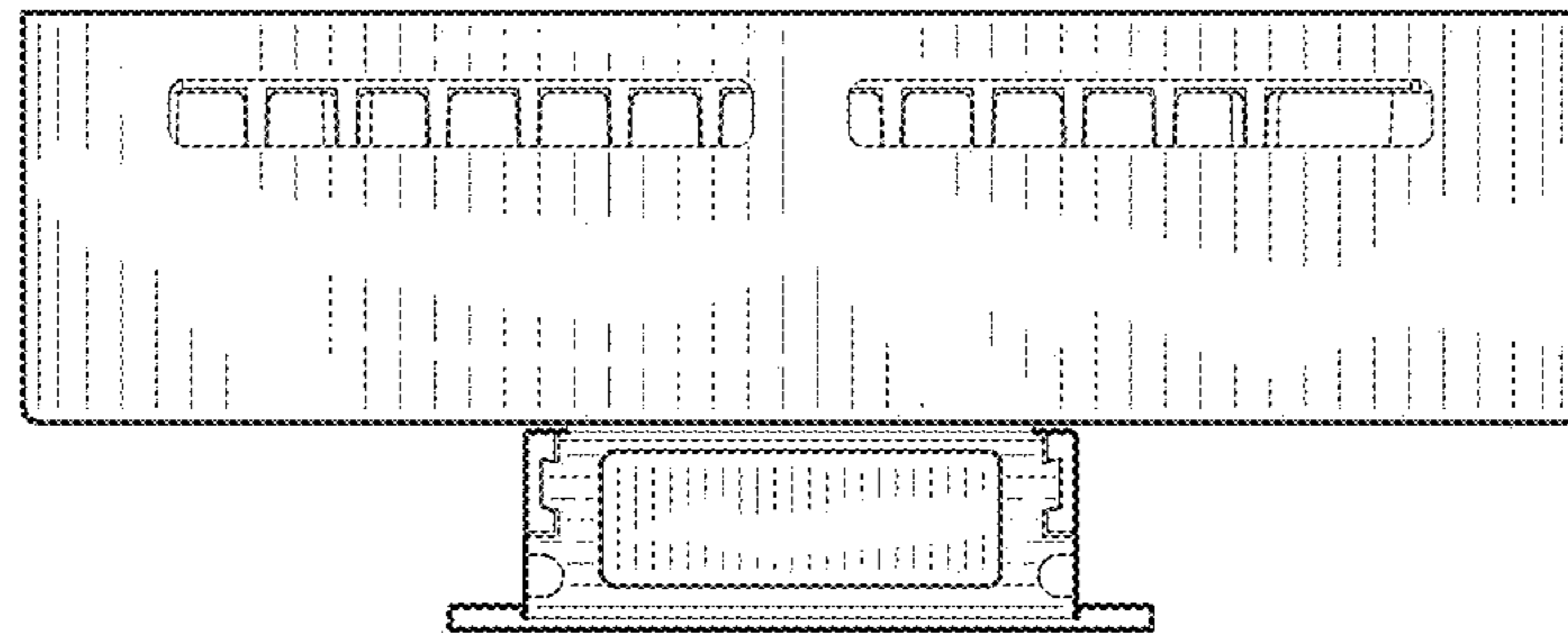


FIG. 2

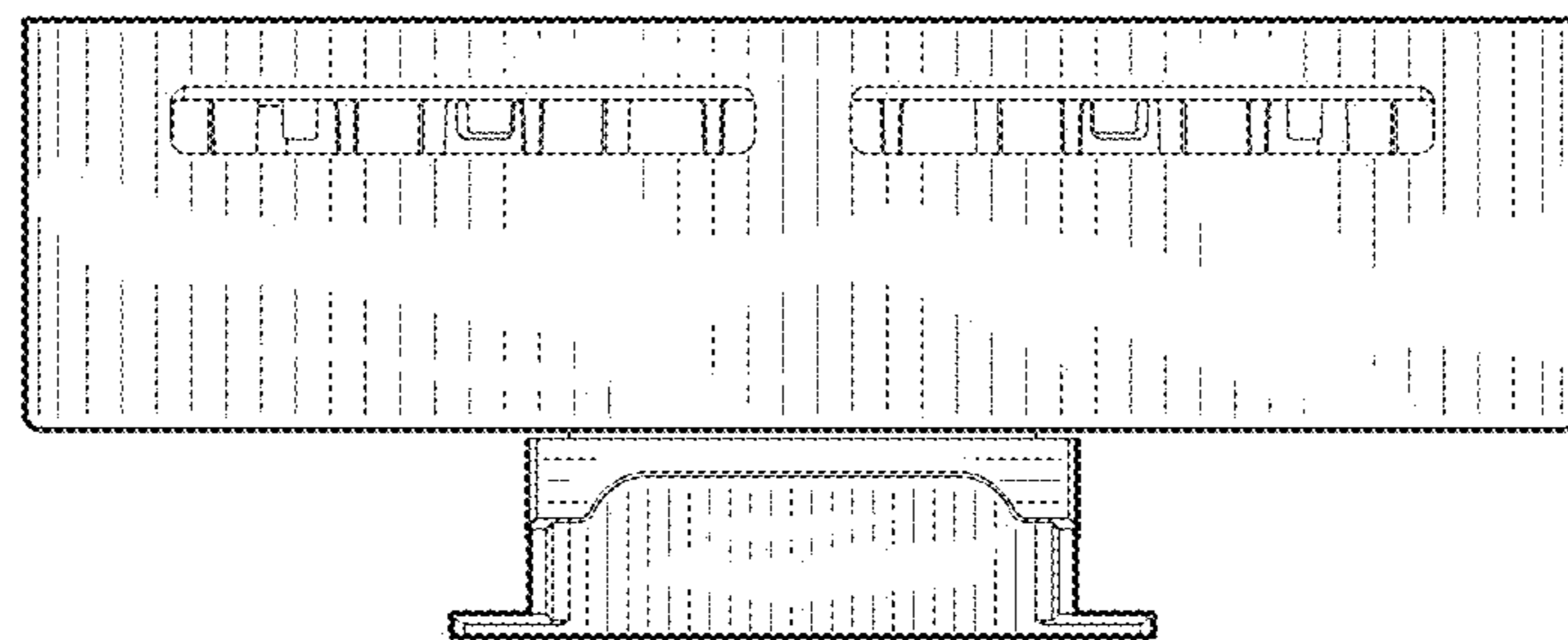


FIG. 3

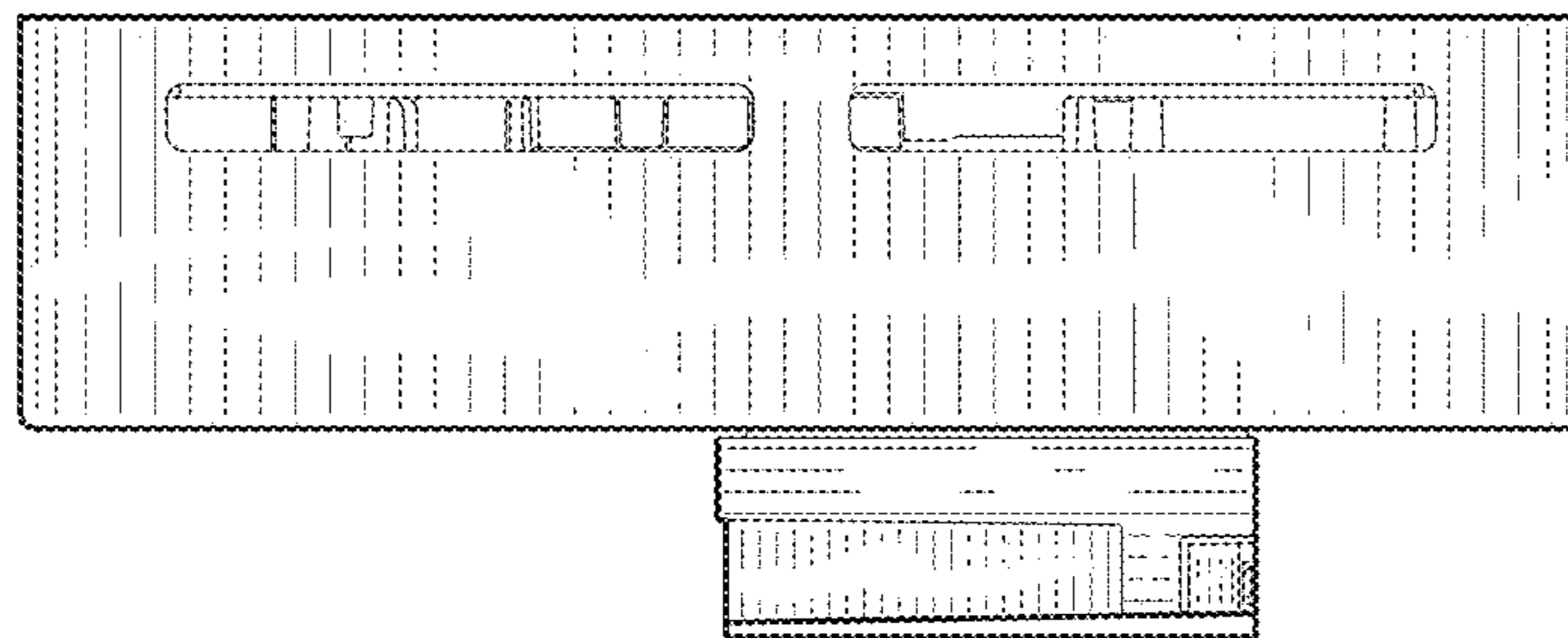


FIG. 4

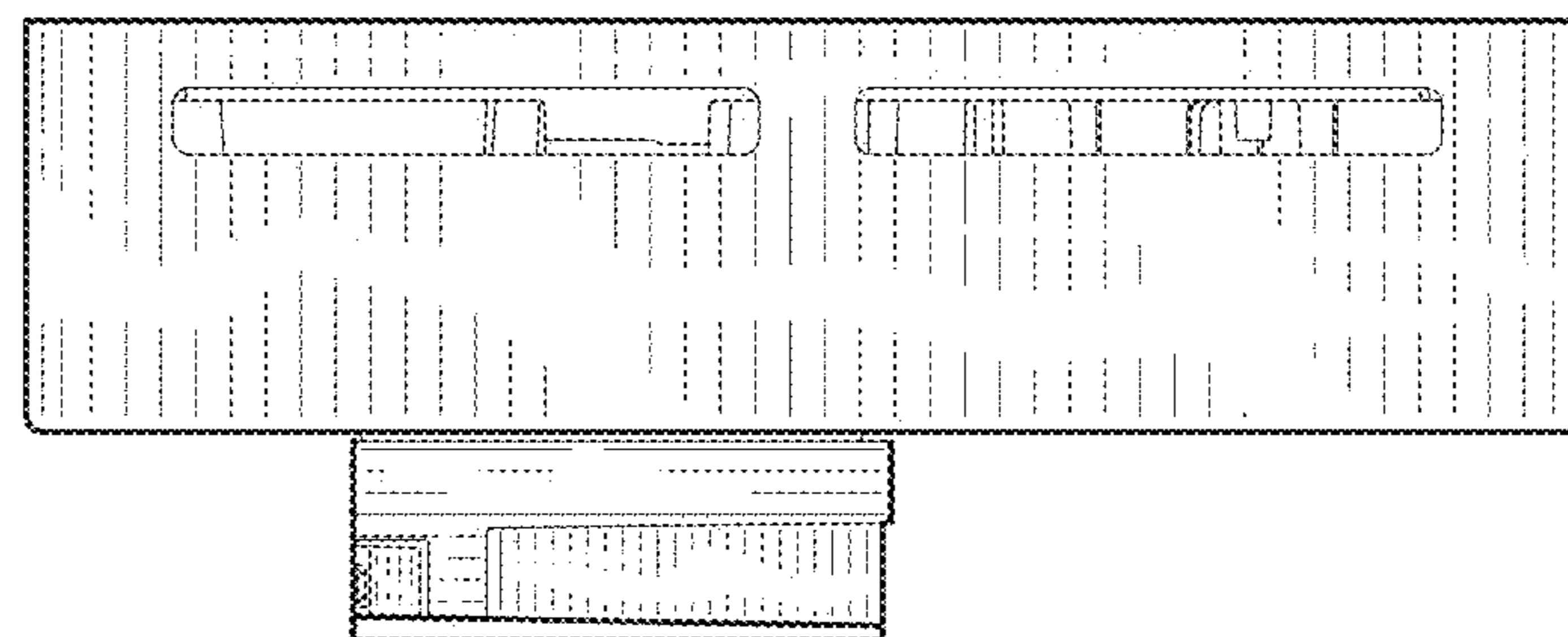


FIG. 5

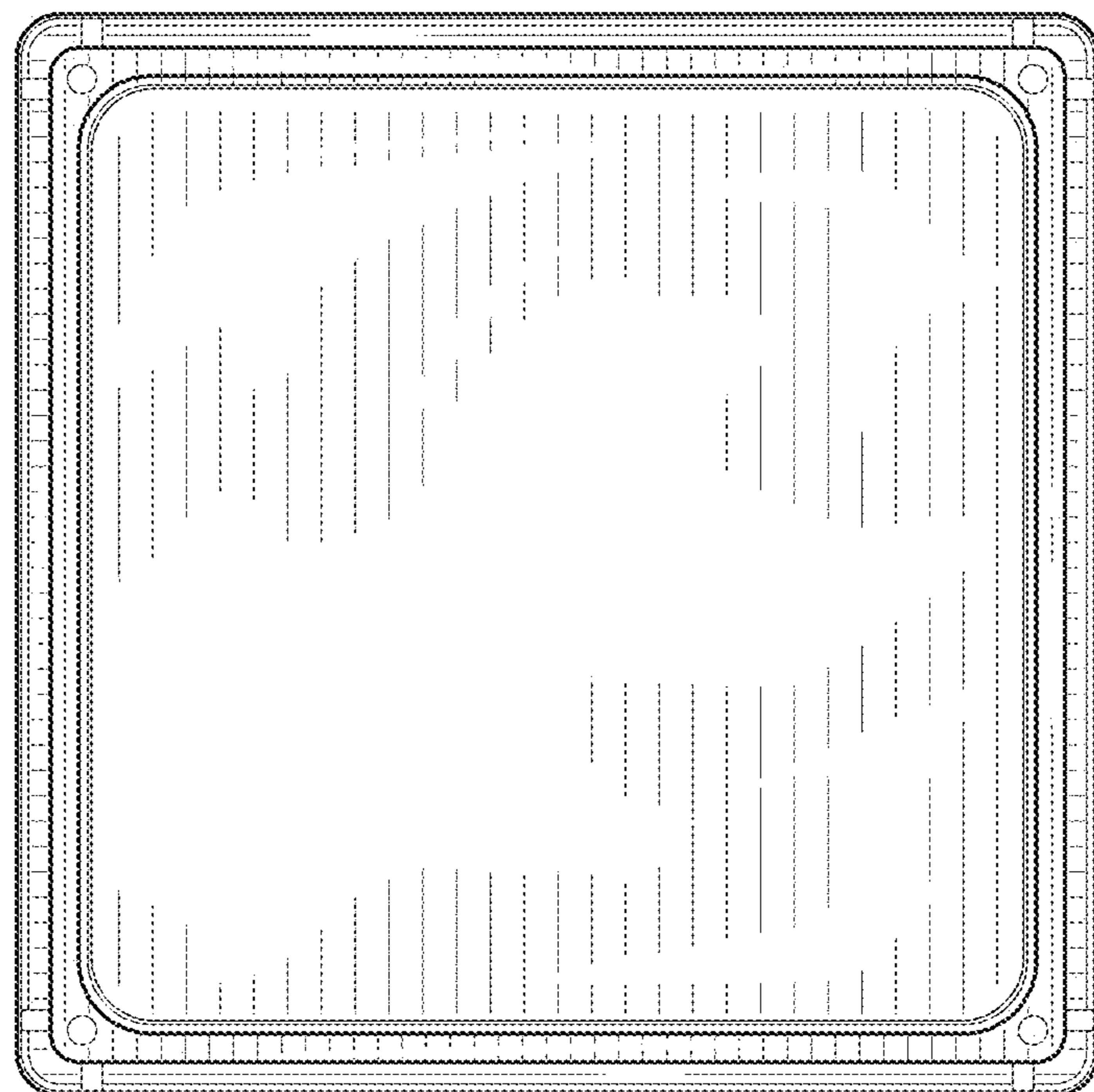


FIG. 6

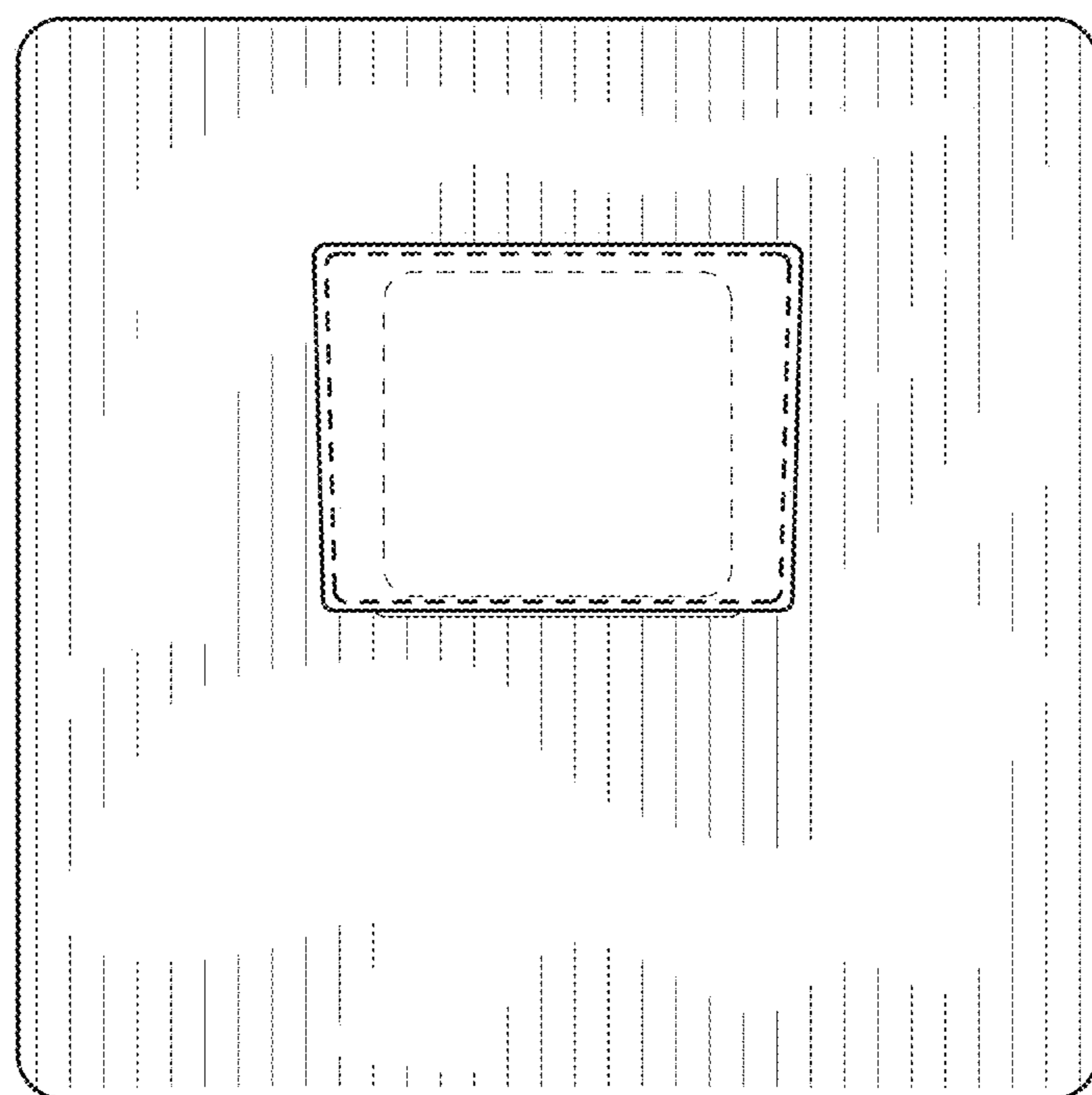


FIG. 7