



US00D702387S

(12) **United States Design Patent**
Pedersen

(10) **Patent No.:** **US D702,387 S**

(45) **Date of Patent:** **** Apr. 8, 2014**

(54) **STAGE LIGHTING**

(71) Applicant: **SGM Holdings APS**, Aabyhoj (DK)

(72) Inventor: **Jan Pedersen**, Aabyhoj (DK)

(73) Assignee: **SGM Holding APS**, Aabyhoj (DK)

(**) Term: **14 Years**

(21) Appl. No.: **29/470,469**

(22) Filed: **Oct. 22, 2013**

Related U.S. Application Data

(62) Division of application No. 29/414,927, filed on Mar. 6, 2012, now Pat. No. Des. 695,435.

(30) **Foreign Application Priority Data**

- Sep. 7, 2011 (EM) 001914094-0001
- Sep. 7, 2011 (EM) 001914094-0003
- Sep. 7, 2011 (EM) 001914094-0005
- Sep. 7, 2011 (EM) 001914094-0007
- Sep. 7, 2011 (EM) 001914094-0009
- Sep. 7, 2011 (EM) 001914094-0011
- Sep. 7, 2011 (EM) 001914094-0013
- Sep. 7, 2011 (EM) 001914094-0015
- Sep. 7, 2011 (EM) 001914094-0017
- Sep. 7, 2011 (EM) 001914094-0019
- Sep. 7, 2011 (EM) 001914094-0021
- Sep. 7, 2011 (EM) 001914094-0027
- Sep. 7, 2011 (EM) 001914094-0029

(51) **LOC (10) Cl.** **26-03**

(52) **U.S. Cl.**
USPC **D26/63**

(58) **Field of Classification Search**

USPC D26/1, 24, 60-66, 72, 85, 92, 113,
D26/118-119; 362/89, 217.01, 220, 217.02,
362/217.1, 217.14, 217.16, 257, 268-269,
362/275, 277, 282, 285, 310, 362, 368, 370,
362/382, 404, 418, 425, 427, 432, 433, 457,
362/804

See application file for complete search history.

(56) **References Cited**

U.S. PATENT DOCUMENTS

- D573,286 S * 7/2008 Zettl D26/63
- D597,693 S * 8/2009 Kauffman et al. D26/63
- D606,691 S * 12/2009 Lindholm D26/63
- D625,870 S * 10/2010 Feigenbaum D26/63
- D641,905 S * 7/2011 Janssen D26/63
- D645,594 S * 9/2011 Grawe D26/63
- D650,505 S * 12/2011 Oka D26/63
- D666,346 S * 8/2012 Gebhard et al. D26/63
- D674,949 S * 1/2013 Georgitsis et al. D26/63

* cited by examiner

Primary Examiner — Brian N Vinson

(74) *Attorney, Agent, or Firm* — Pearne & Gordon LLP

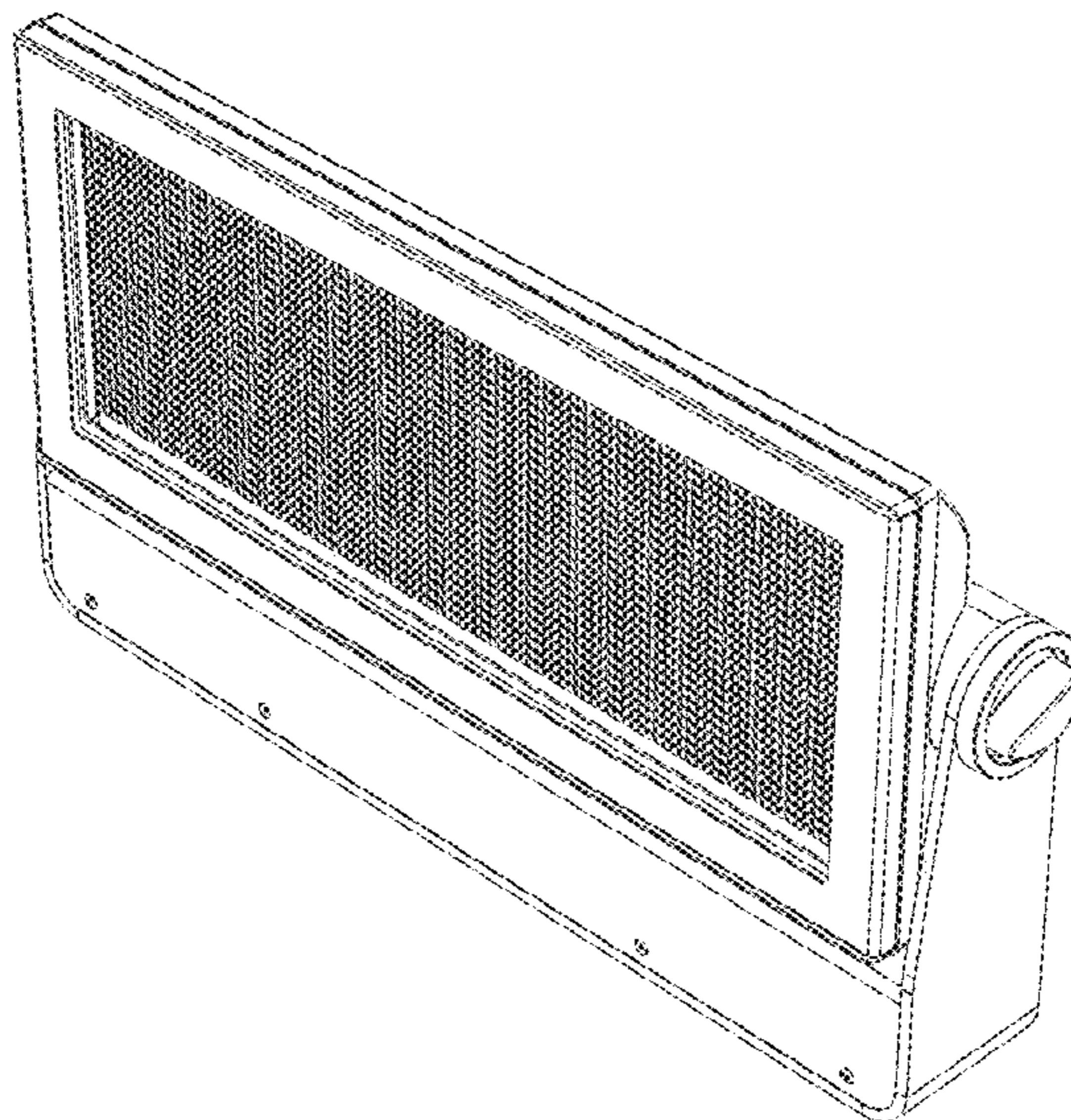
(57) **CLAIM**

The ornamental design for stage lighting, as shown and described.

DESCRIPTION

FIG. 1 is a left-front perspective view of stage lighting, showing my new design;
FIG. 2 is a back elevational view thereof;
FIG. 3 is a right side elevational view thereof;
FIG. 4 is a left side elevational view thereof;
FIG. 5 is a top plan view thereof;
FIG. 6 is a bottom plan view thereof; and,
FIG. 7 is a front elevational view thereof.

1 Claim, 5 Drawing Sheets



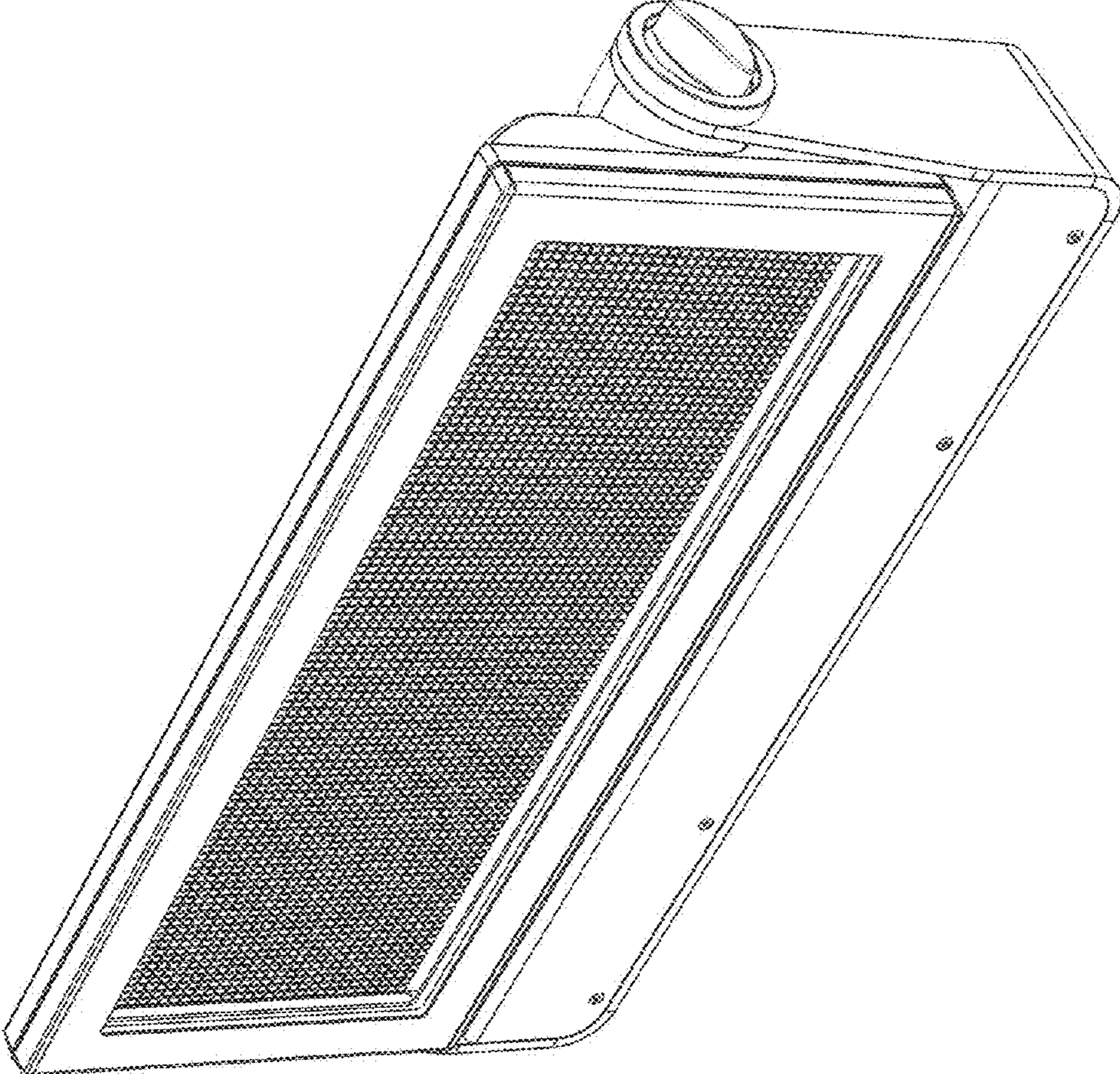


FIG. 1

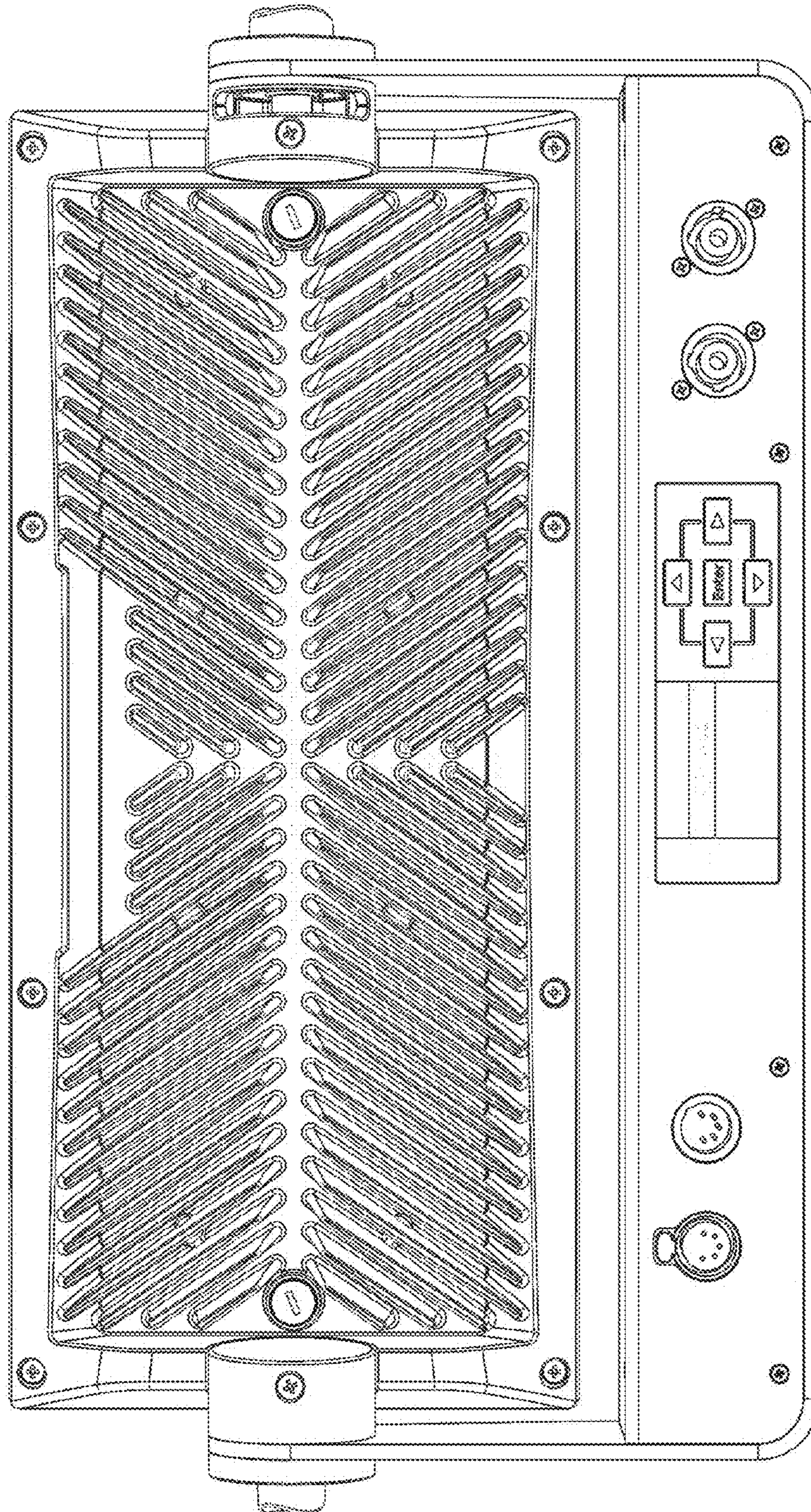


FIG. 2

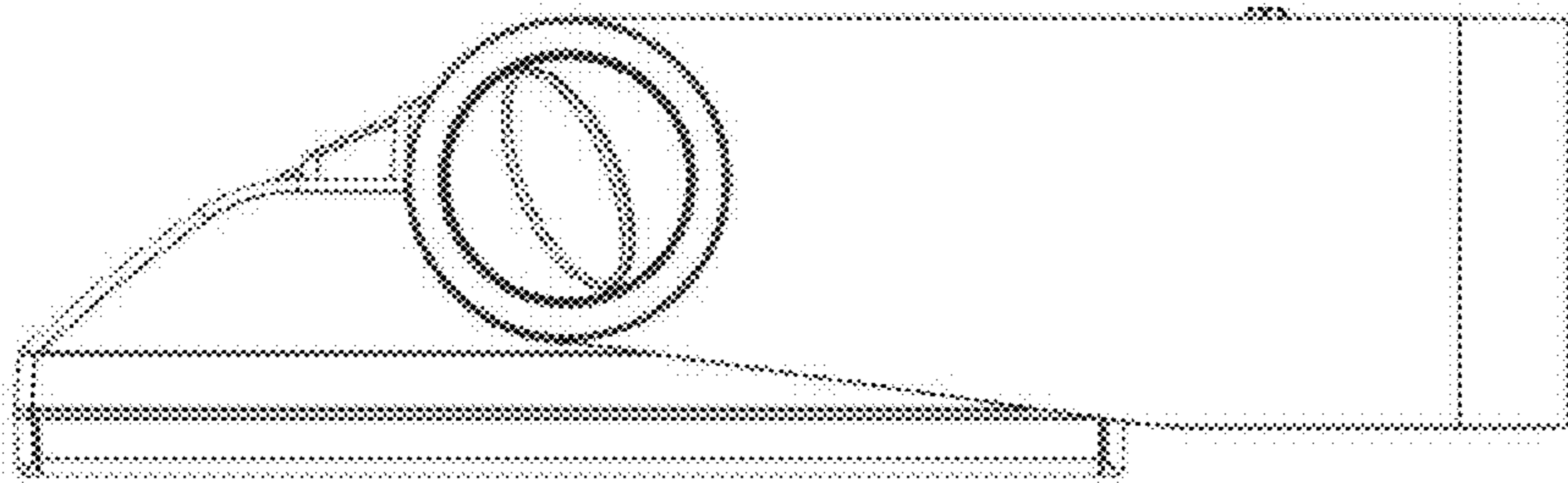


FIG. 4

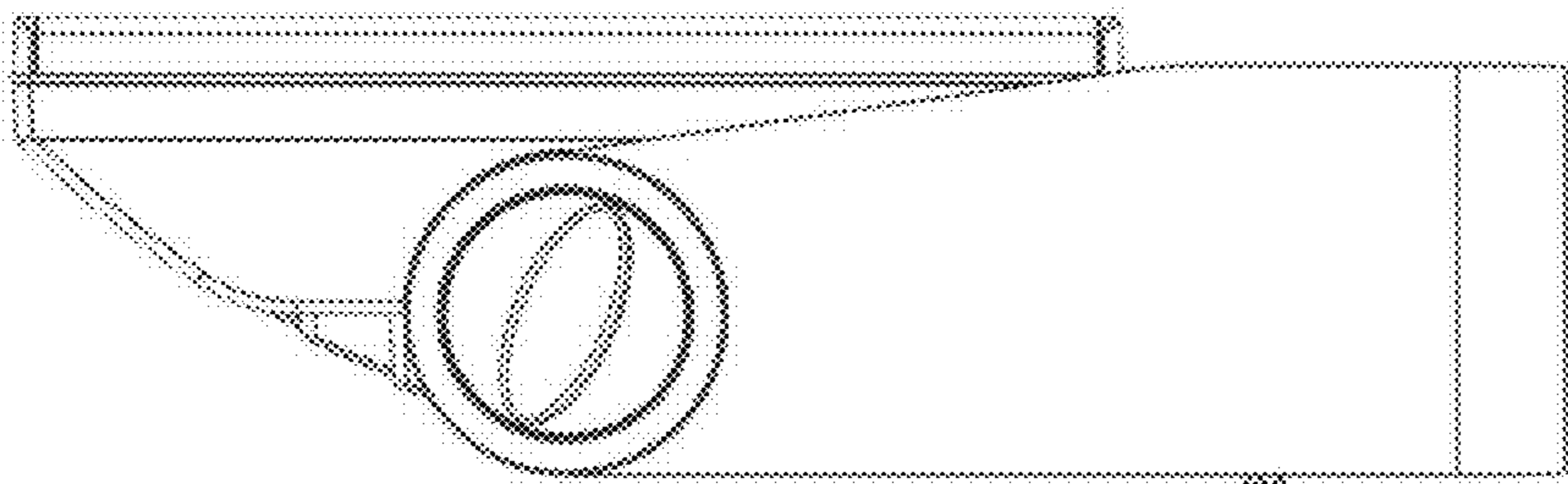


FIG. 3

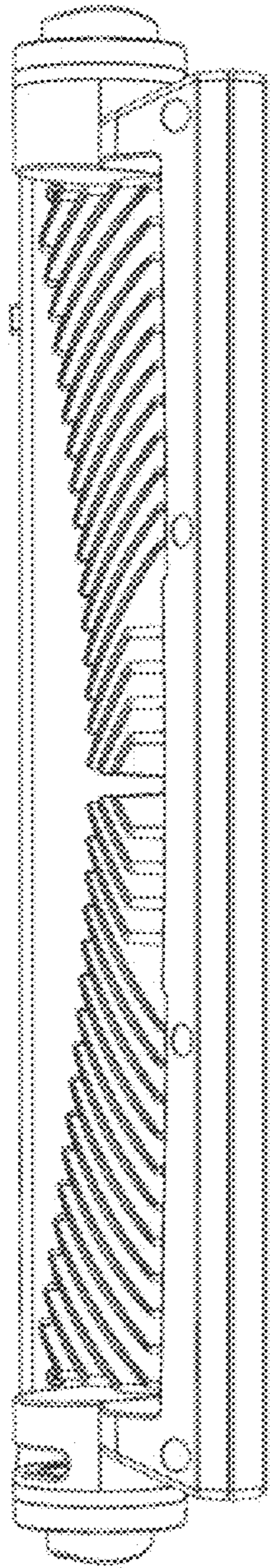


FIG. 5

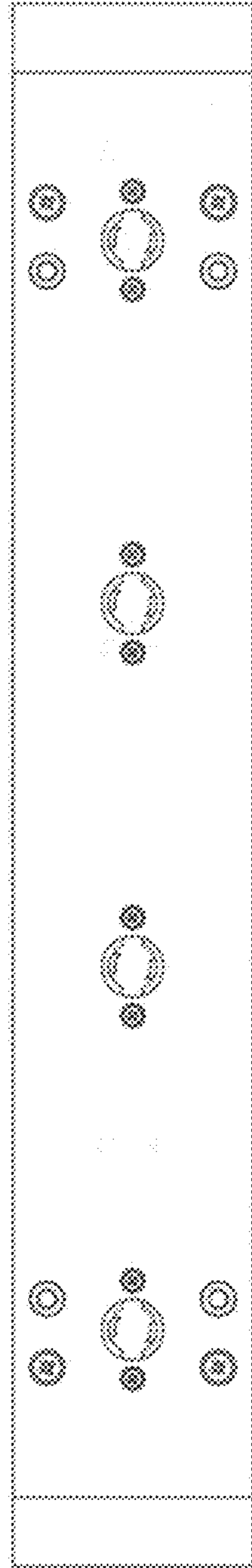


FIG. 6

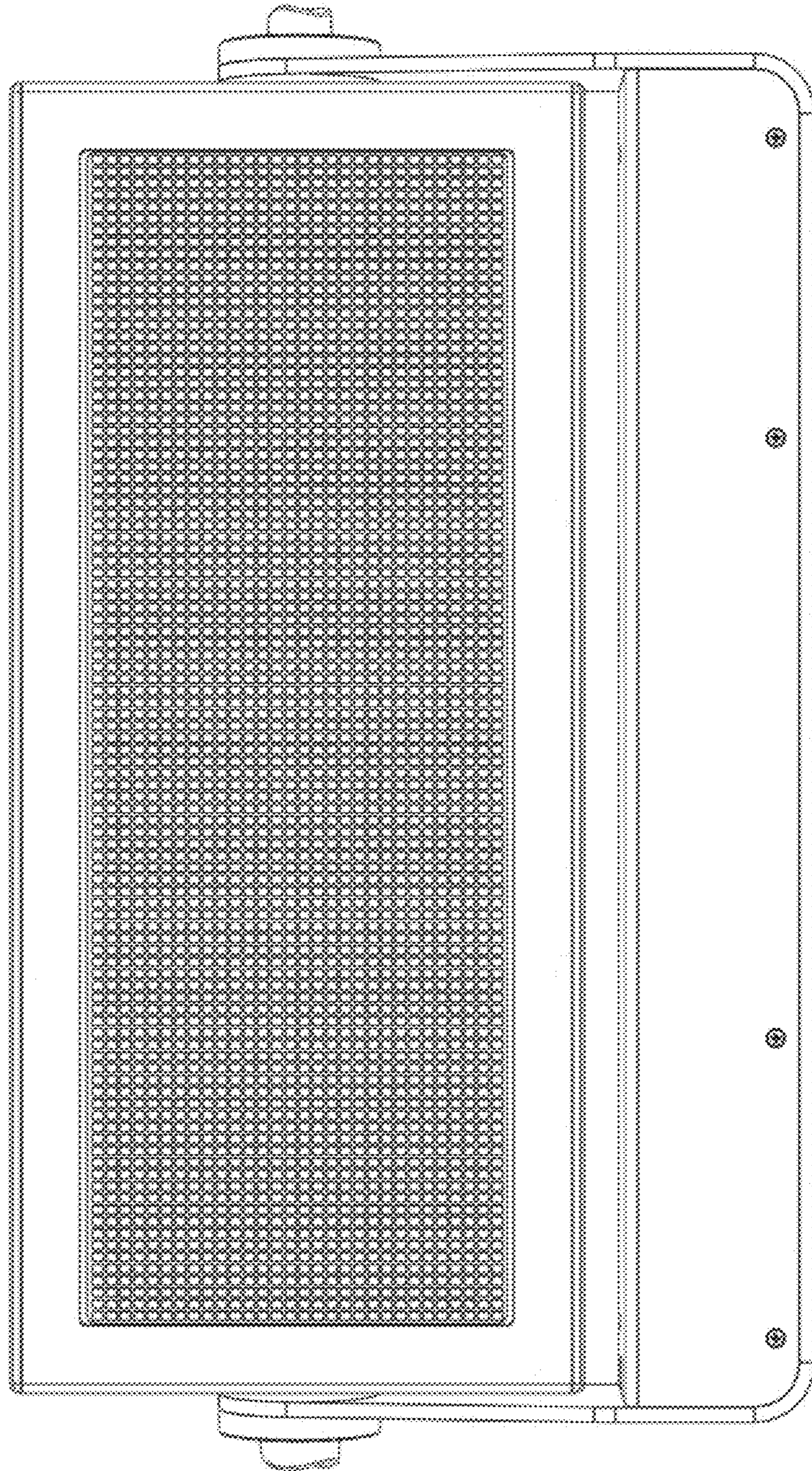


FIG. 7