



US00D702385S

(12) **United States Design Patent**
Wang

(10) **Patent No.:** **US D702,385 S**

(45) **Date of Patent:** **** Apr. 8, 2014**

(54) **CEILING FAN LIGHT KIT**

(75) Inventor: **Cliff Wang**, Taichung (TW)

(73) Assignee: **Air Cool Industrial Co., Ltd.**, Taichung (TW)

(**) Term: **14 Years**

(21) Appl. No.: **29/425,050**

(22) Filed: **Jun. 19, 2012**

(51) **LOC (10) Cl.** **26-05**

(52) **U.S. Cl.**
USPC **D26/59**

(58) **Field of Classification Search**
USPC D23/385, 377; D26/59; 417/5, 423.14;
392/364, 361, 362; 362/96, 294
See application file for complete search history.

(56) **References Cited**

U.S. PATENT DOCUMENTS

D344,794 S * 3/1994 Galler D23/377
D424,679 S * 5/2000 LaSpina D23/377
D499,478 S * 12/2004 Thomas, Jr. D23/411

D535,421 S * 1/2007 Pickett D26/59
D550,890 S * 9/2007 Wang D26/83
D587,388 S * 2/2009 Pan D26/59

* cited by examiner

Primary Examiner — Eric Goodman

Assistant Examiner — Ryan Harvey

(74) *Attorney, Agent, or Firm* — Ming Chow; Sinorica, LLC

(57) **CLAIM**

I claim the ornamental design for a ceiling fan light kit, as shown and described.

DESCRIPTION

FIG. 1 is a front perspective view of a ceiling fan light kit showing my new design;

FIG. 2 is a front elevational view thereof;

FIG. 3 is a rear elevational view thereof.

FIG. 4 is a left side elevational view thereof;

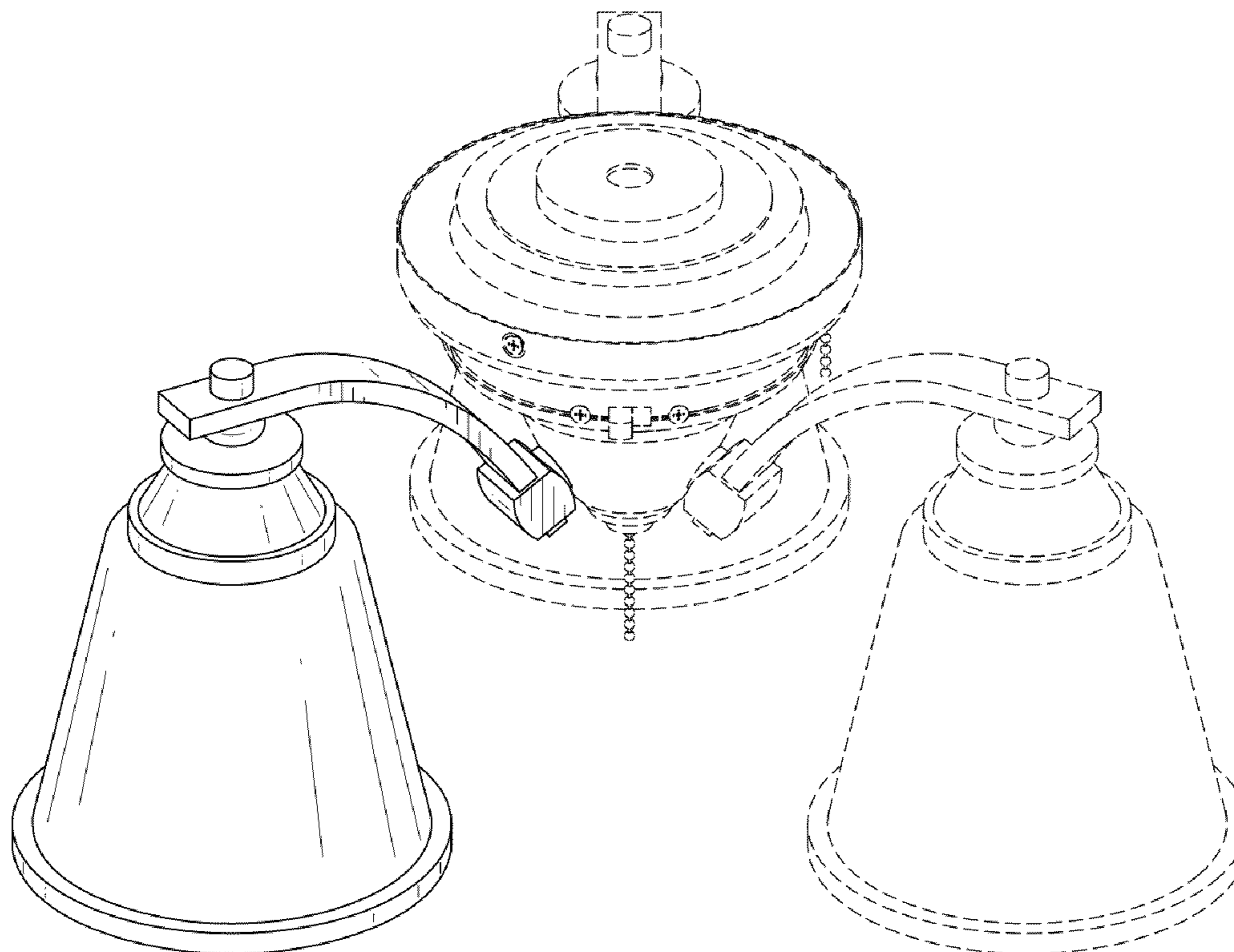
FIG. 5 is a right side elevational view thereof;

FIG. 6 is a top plan view thereof; and,

FIG. 7 is a bottom plan view thereof.

The broken line showing ceiling fan light kit is included for the purpose of illustrating portions of the article and forms no part of the claimed design.

1 Claim, 5 Drawing Sheets



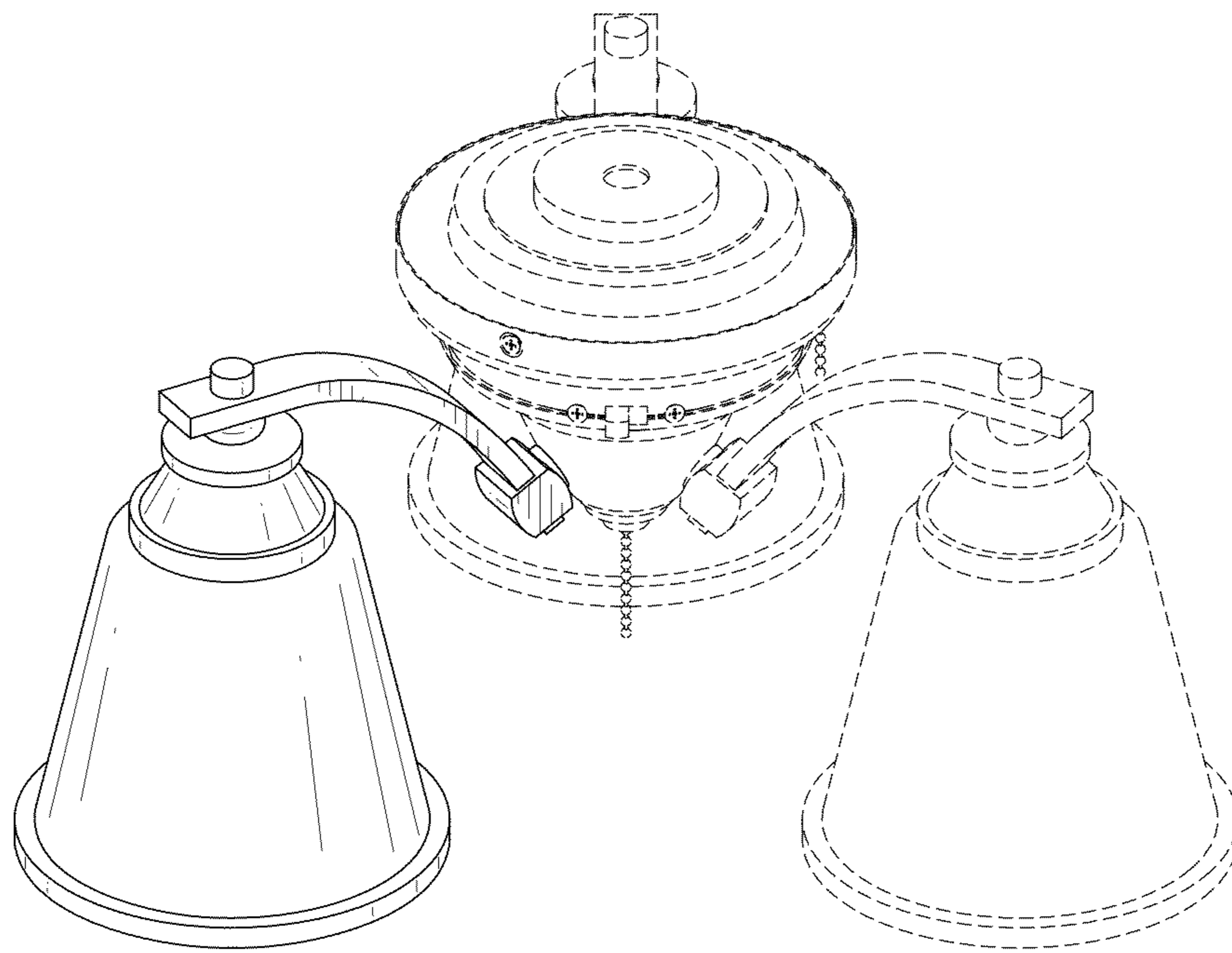


FIG. 1

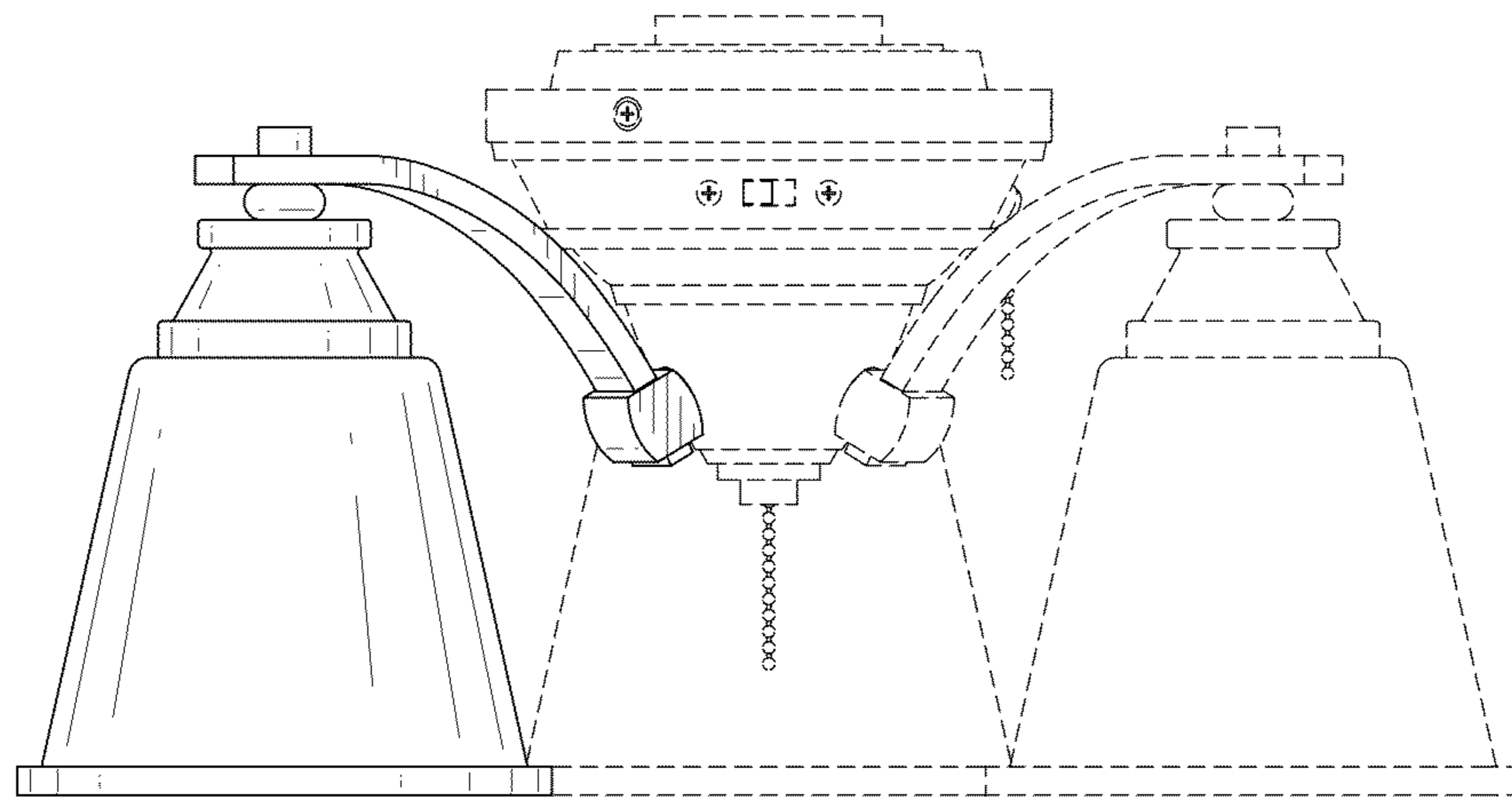


FIG. 2

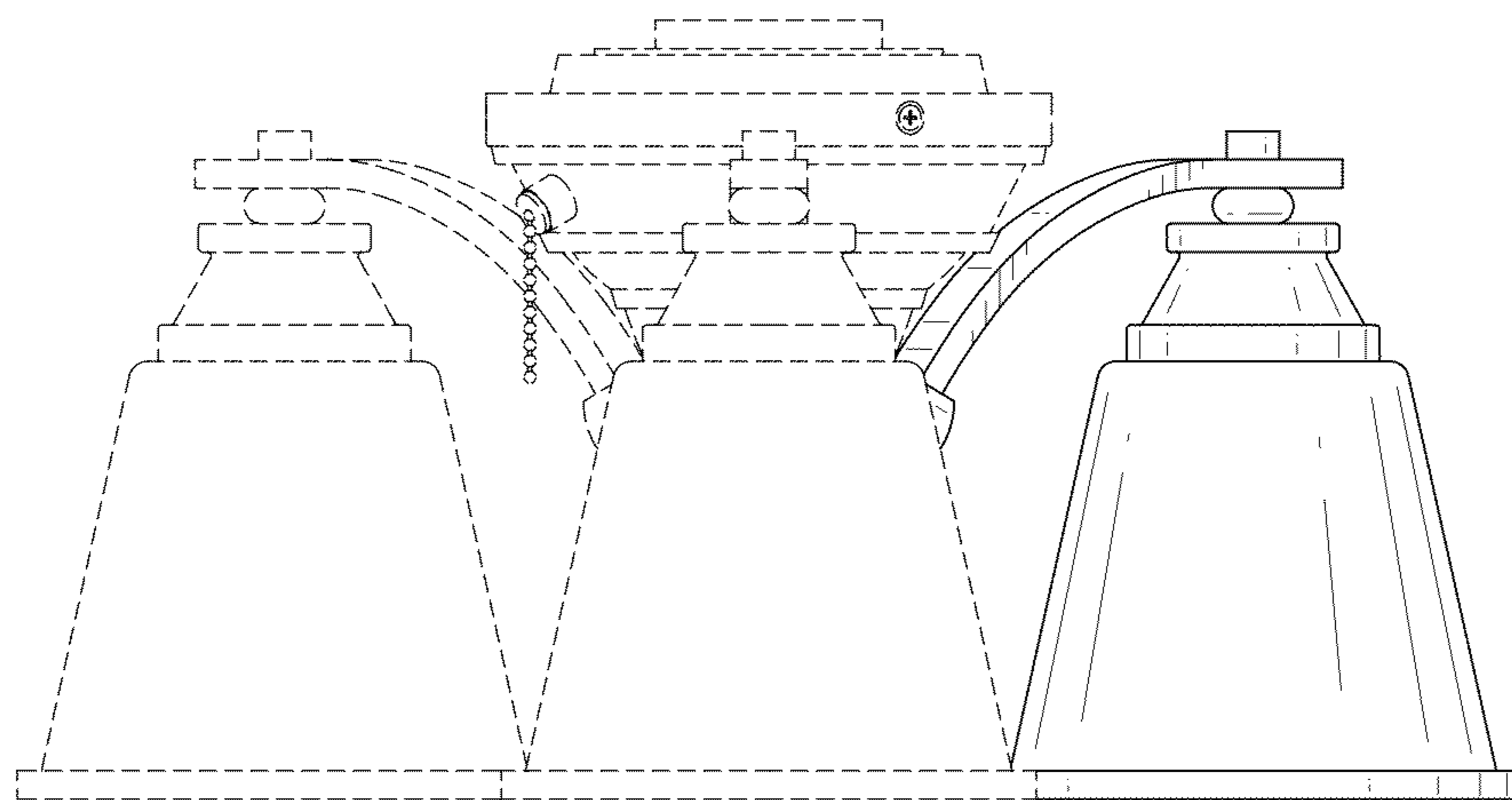


FIG. 3

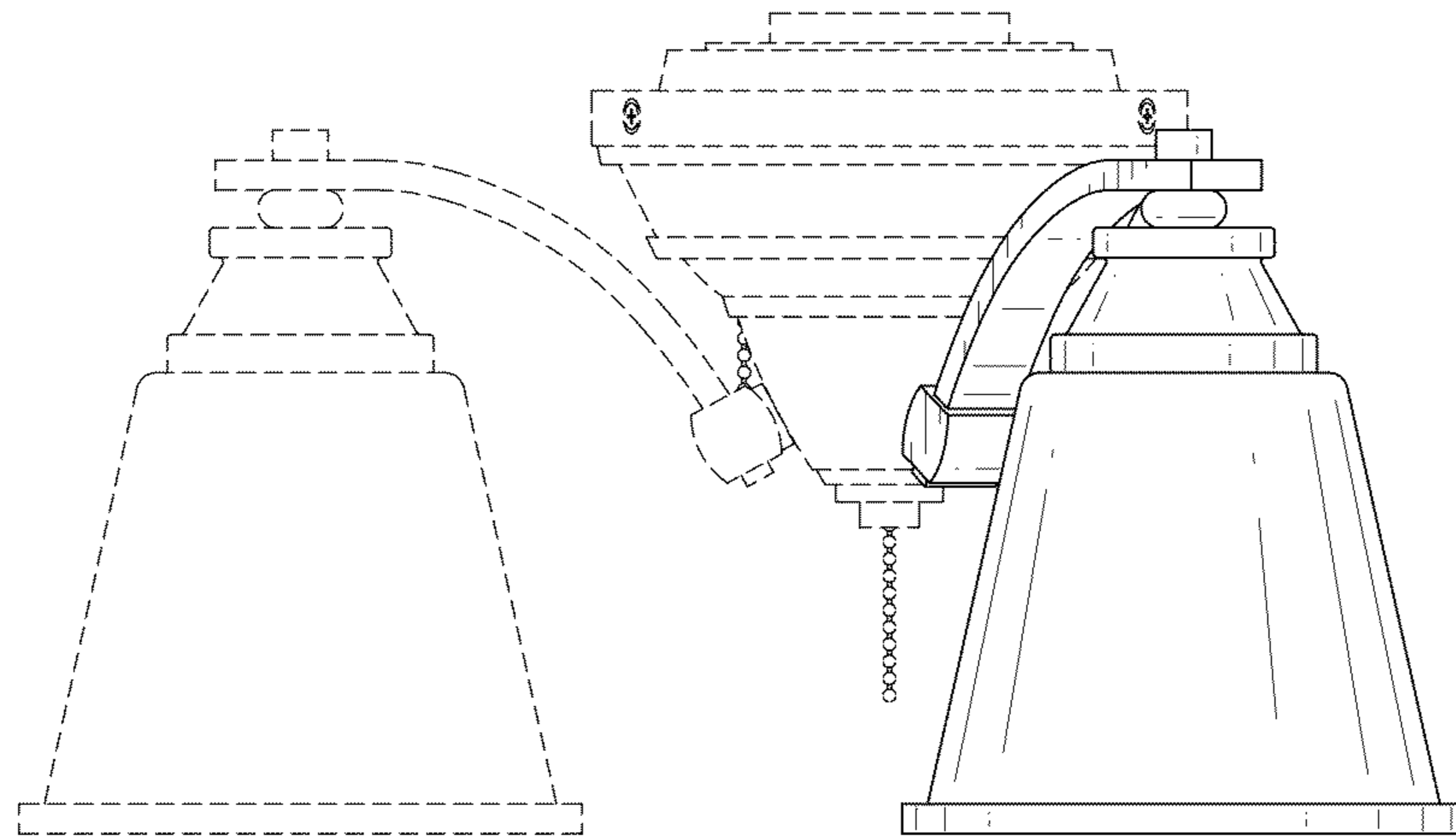


FIG. 4

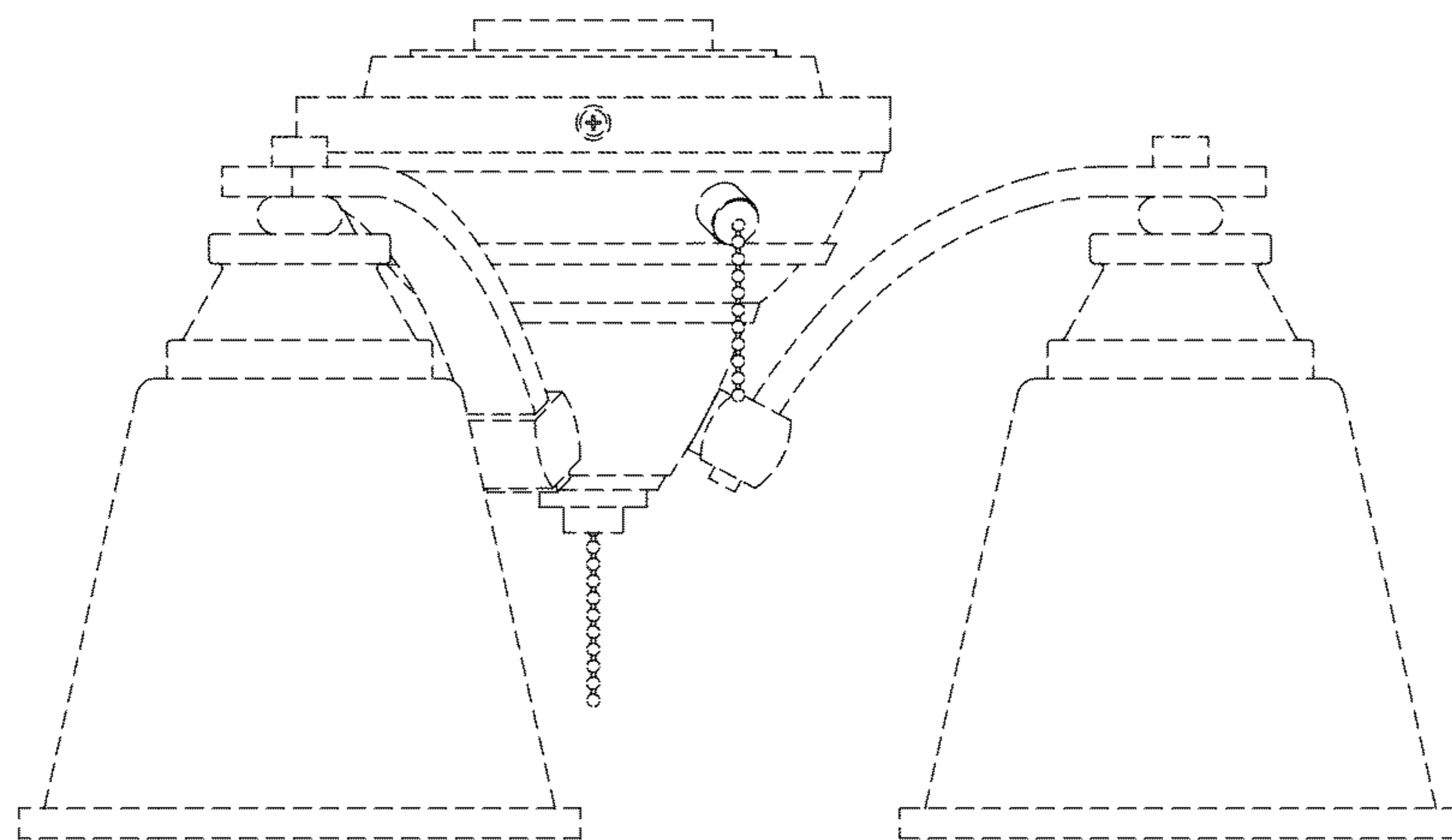


FIG. 5

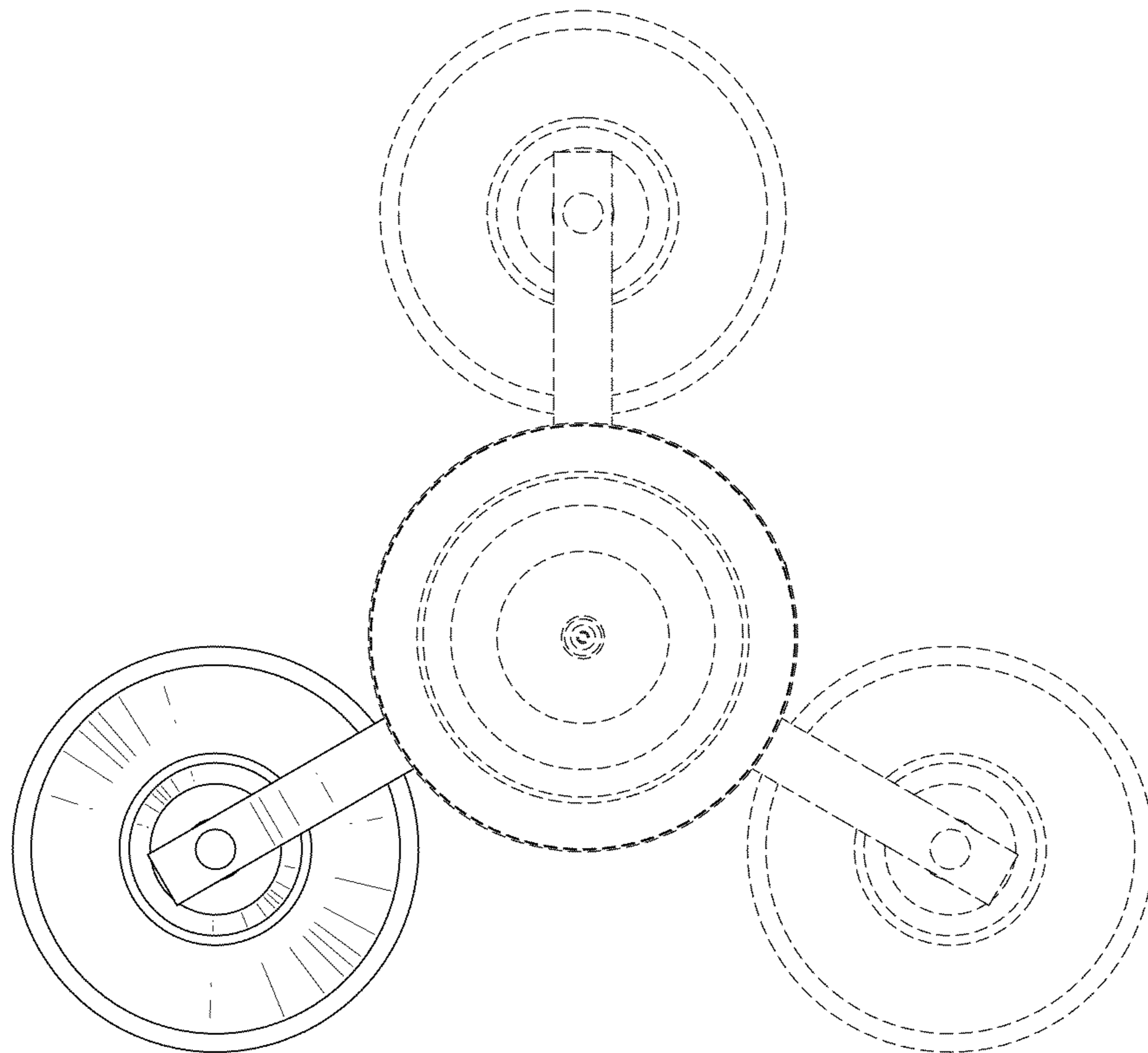


FIG. 6

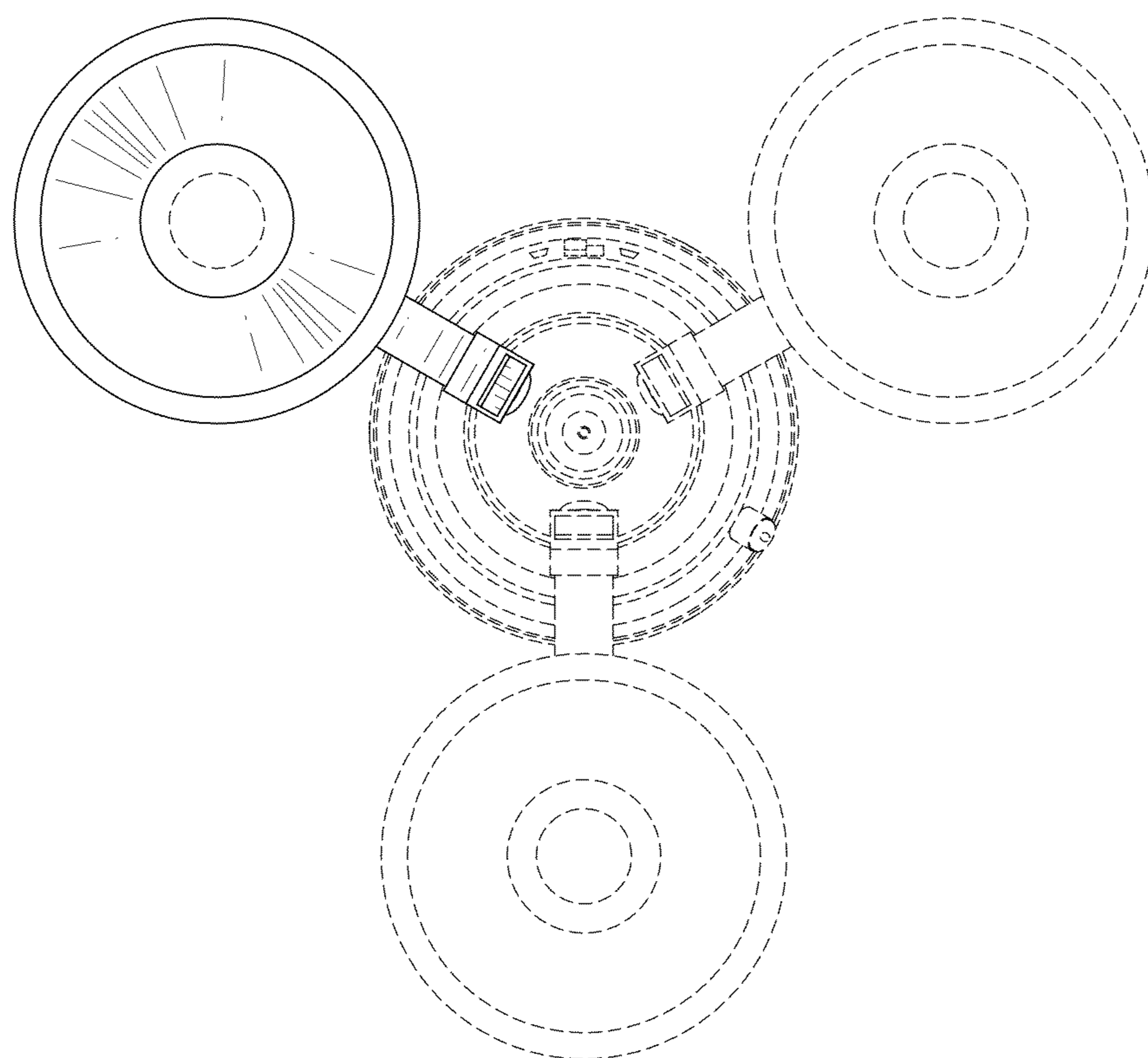


FIG. 7