



US00D702384S

(12) **United States Design Patent**
Stewart

(10) **Patent No.:** **US D702,384 S**

(45) **Date of Patent:** **** Apr. 8, 2014**

(54) **LIGHT**

(76) **Inventor:** **Wayne Stewart, Springville, UT (US)**

(**) **Term:** **14 Years**

(21) **Appl. No.:** **29/424,154**

(22) **Filed:** **Jun. 7, 2012**

(51) **LOC (10) Cl.** **26-02**

(52) **U.S. Cl.**
USPC **D26/49**

(58) **Field of Classification Search**
USPC D26/37, 40, 41, 42, 44, 46, 49, 61, 75;
362/157, 158, 184, 194-196, 197,
362/202-208, 171-174

See application file for complete search history.

(56) **References Cited**

U.S. PATENT DOCUMENTS

5,032,824	A	7/1991	Corbin	
D376,216	S	12/1996	Yuen	
5,764,132	A	6/1998	Hill	
D510,637	S *	10/2005	Chan	D26/49
D580,080	S *	11/2008	Ho	D26/49
D585,577	S *	1/2009	Bonis	D26/49
D586,025	S *	2/2009	Bonis	D26/49
D596,772	S *	7/2009	Chang	D26/49
D599,928	S *	9/2009	Shiu	D26/49
D639,477	S *	6/2011	Robinson	D26/49

D640,400	S *	6/2011	Huang	D26/49
D641,093	S *	7/2011	Kidman	D26/49
D649,670	S *	11/2011	Robinson	D26/49
D659,272	S *	5/2012	Nguyen et al.	D26/49
D659,869	S *	5/2012	Prieto	D26/49
D671,249	S *	11/2012	Sheikh et al.	D26/38

* cited by examiner

Primary Examiner — Ian Simmons

Assistant Examiner — Carissa C Fitts

(74) *Attorney, Agent, or Firm* — Clayton, Howarth & Cannon, P.C.

(57) **CLAIM**

The ornamental design for a light, as shown and described.

DESCRIPTION

FIG. 1 is a frontal perspective view of a light in accordance with the invention;

FIG. 2 is a rear perspective view thereof;

FIG. 3 is a left side elevation view thereof;

FIG. 4 is a right side elevation view thereof;

FIG. 5 is a front end elevation view thereof;

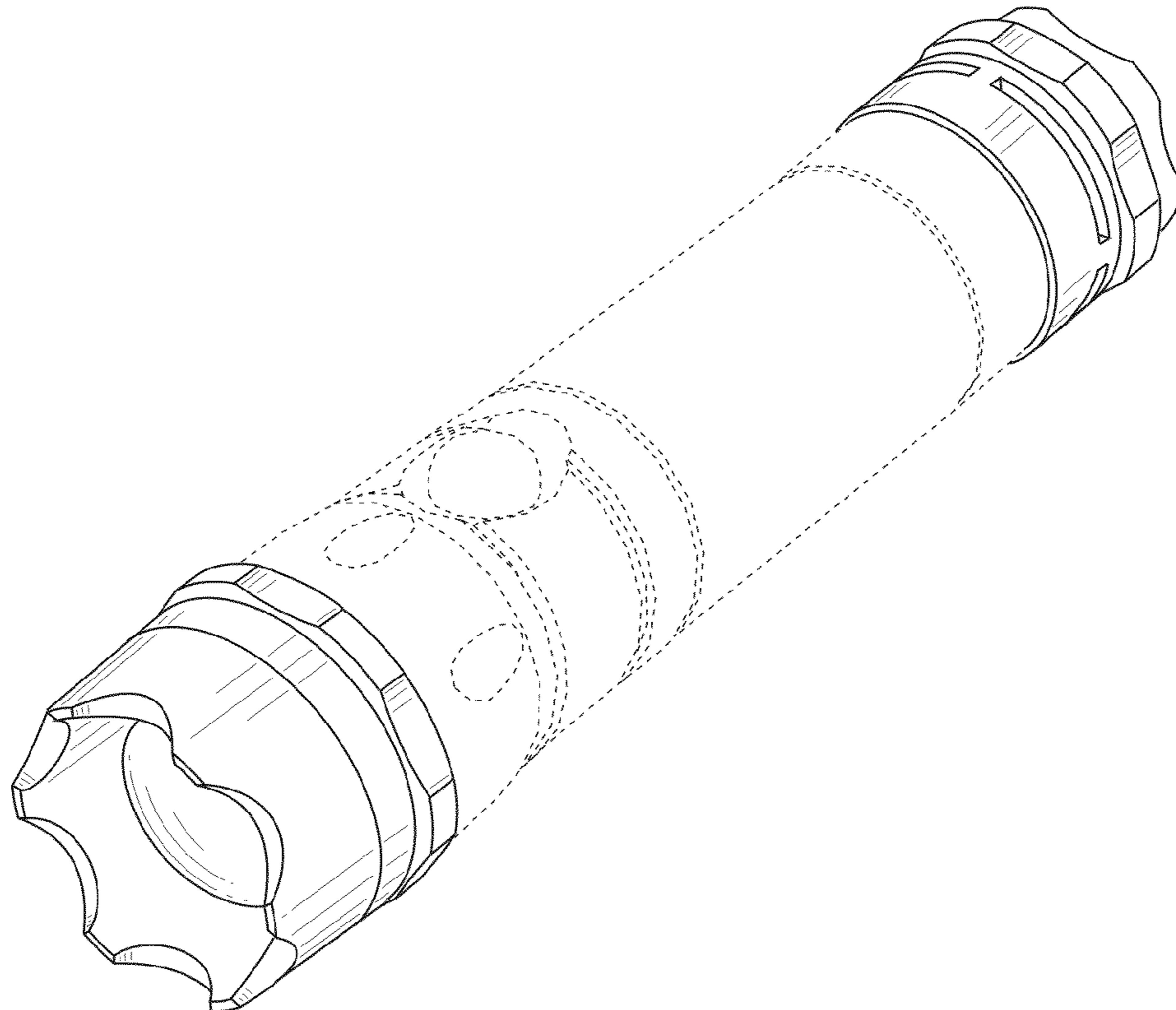
FIG. 6 is a rear end elevation view thereof;

FIG. 7 is a top plan view thereof; and,

FIG. 8 is a bottom plan view thereof.

The broken line showing of selected features is for the purpose of illustrating environmental structure and forms no part of the claimed design.

1 Claim, 3 Drawing Sheets



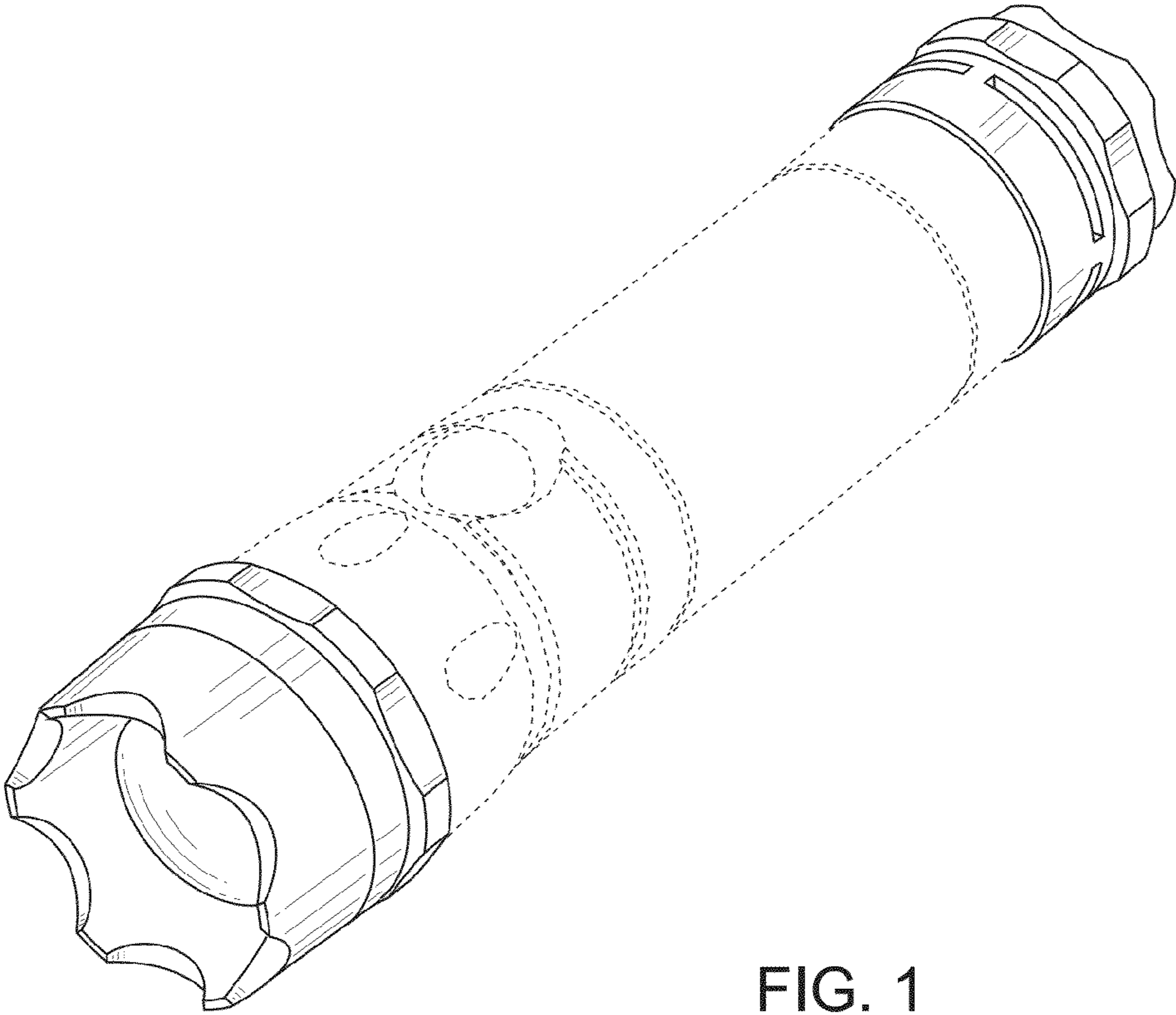


FIG. 1

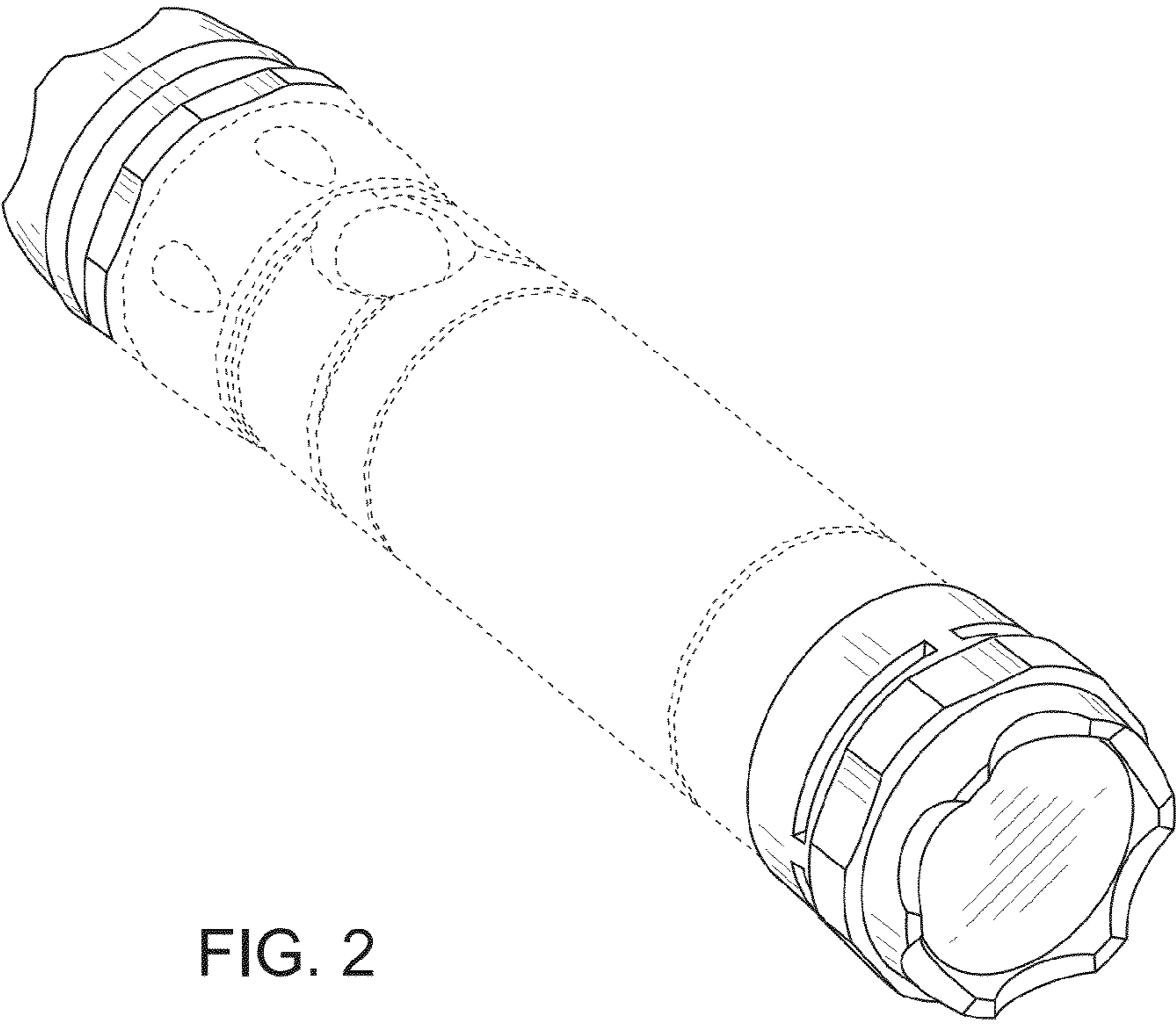


FIG. 2

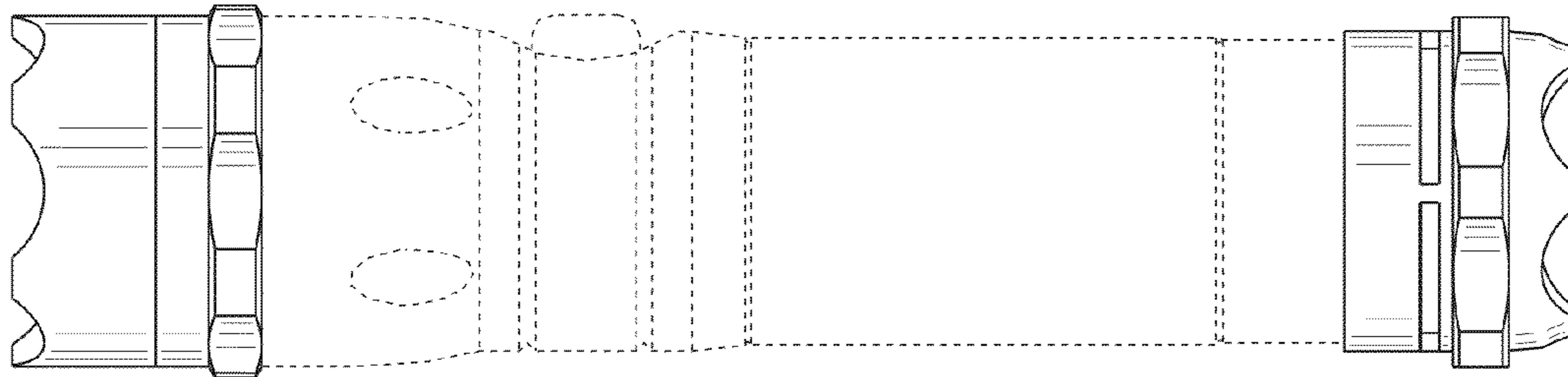


FIG. 3

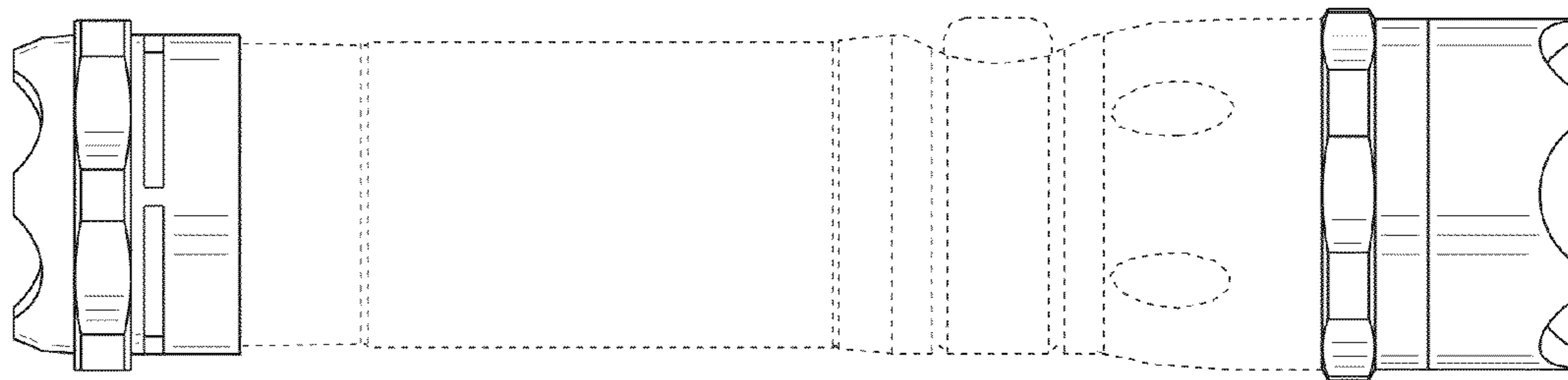


FIG. 4

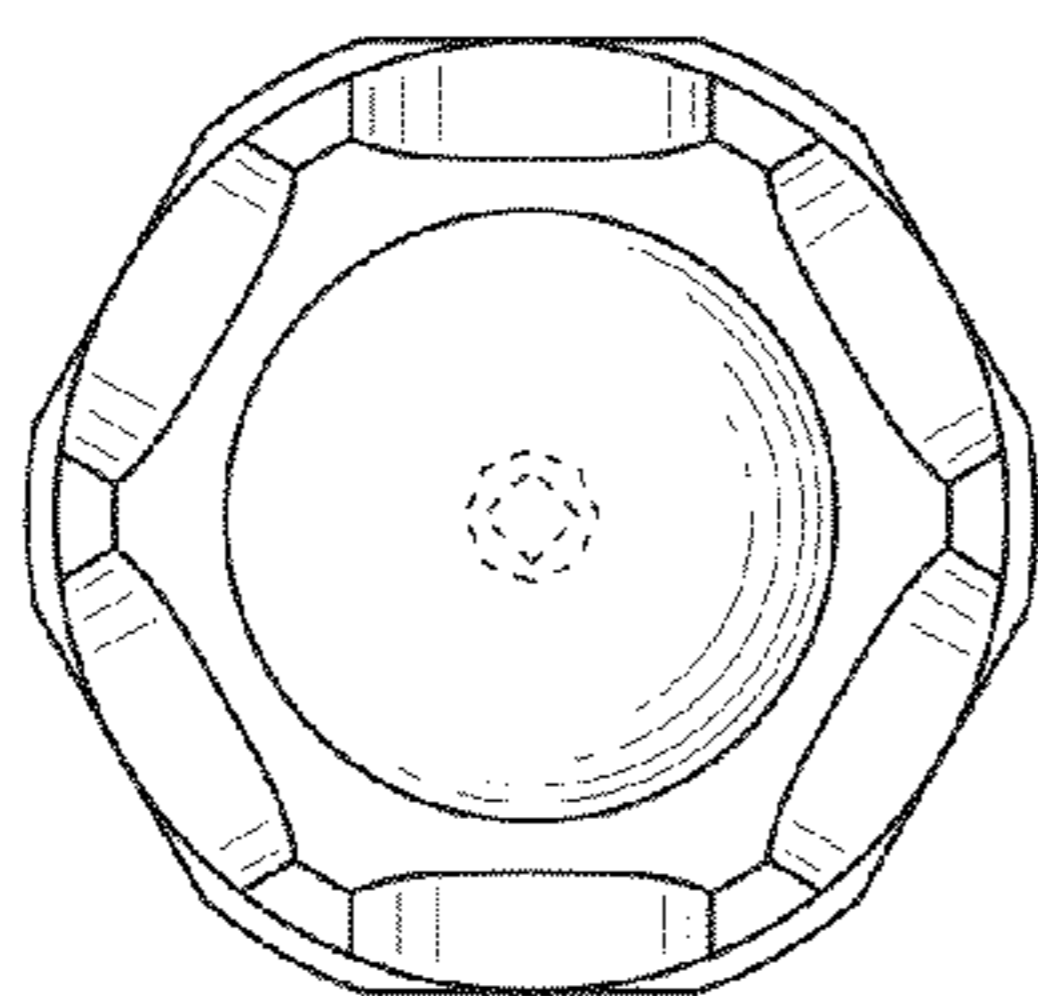


FIG. 5

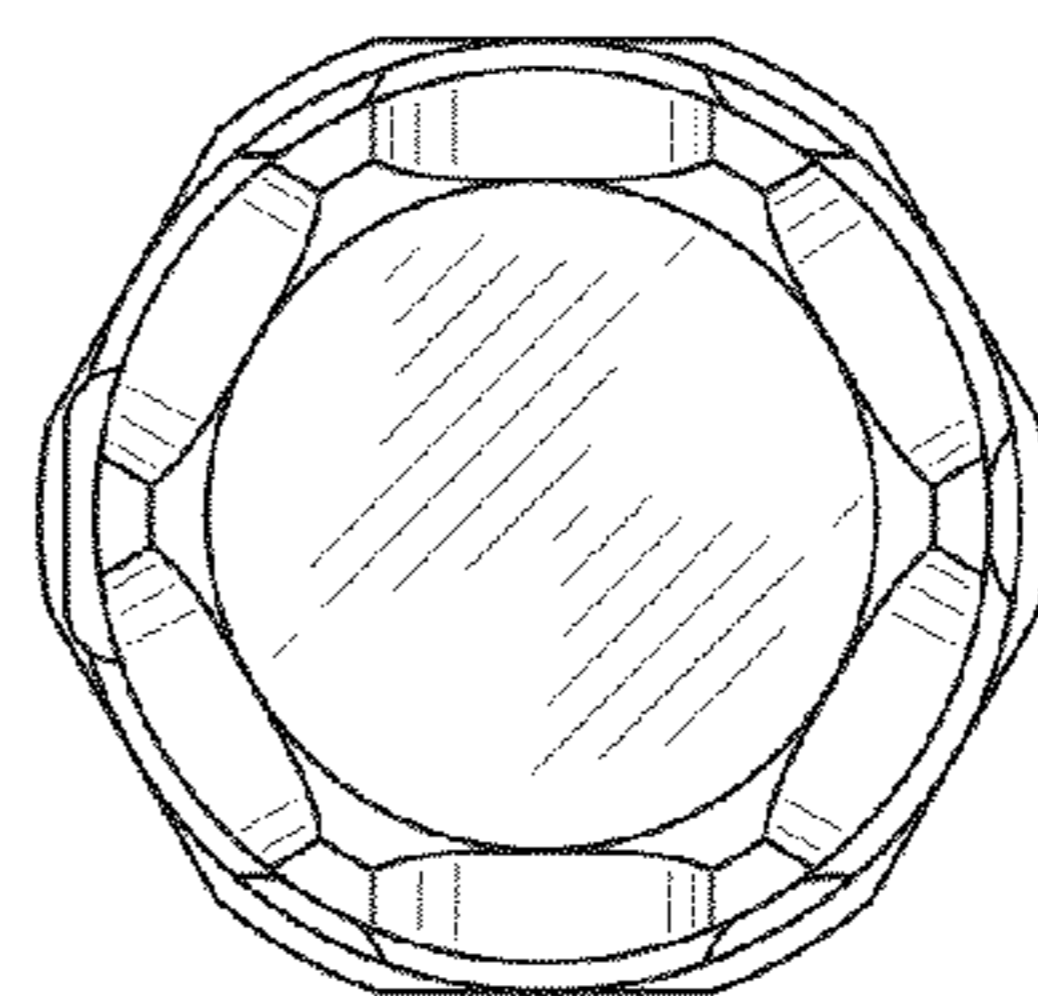


FIG. 6

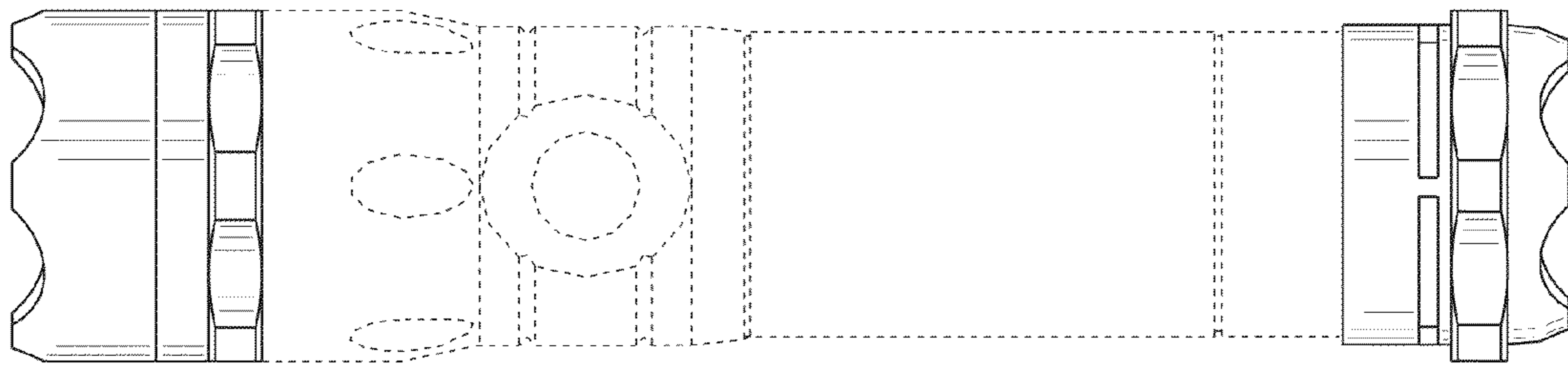


FIG. 7

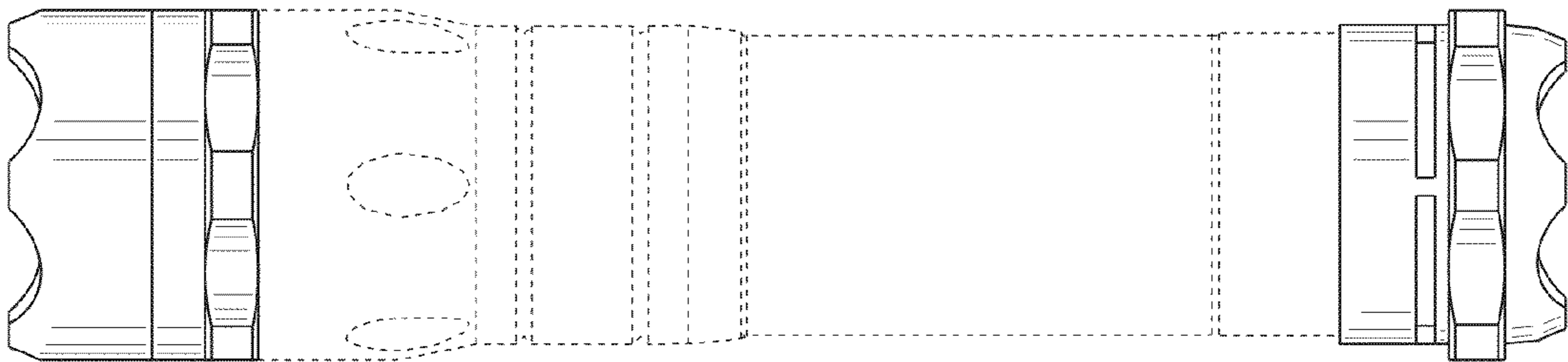


FIG. 8