



US00D702383S

(12) **United States Design Patent**  
**Inskeep**

(10) **Patent No.:** **US D702,383 S**

(45) **Date of Patent:** **\*\* Apr. 8, 2014**

(54) **SPOTLIGHT WITH STAND**

(76) Inventor: **Mathew Inskeep**, Boca Raton, FL (US)

(\*\*) Term: **14 Years**

(21) Appl. No.: **29/429,758**

(22) Filed: **Aug. 16, 2012**

(51) **LOC (10) Cl.** ..... **26-02**

(52) **U.S. Cl.**  
USPC ..... **D26/45**

(58) **Field of Classification Search**  
USPC ..... D26/45, 50, 48, 41, 44, 38, 37;  
362/157, 158, 183, 184, 194-208  
See application file for complete search history.

(56) **References Cited**

**U.S. PATENT DOCUMENTS**

D466,637 S	*	12/2002	Gisser	.....	D26/45
D532,136 S	*	11/2006	Krieger et al.	.....	D26/45
D603,540 S	*	11/2009	Shum et al.	.....	D26/45
D662,240 S	*	6/2012	Inskeep	.....	D26/45

D673,705 S	*	1/2013	Inskeep	.....	D26/45
D673,706 S	*	1/2013	Inskeep	.....	D26/45
D673,707 S	*	1/2013	Inskeep	.....	D26/45

\* cited by examiner

*Primary Examiner* — Ian Simmons

*Assistant Examiner* — Carissa C Fitts

(57) **CLAIM**

The ornamental design for a spotlight with stand, as shown and described.

**DESCRIPTION**

FIG. 1 is a top perspective view of the spotlight showing my new design.

FIG. 2 is a bottom perspective view.

FIG. 3 is a top perspective view with stand extended.

FIG. 4 is a top view.

FIG. 5 is a bottom view thereof.

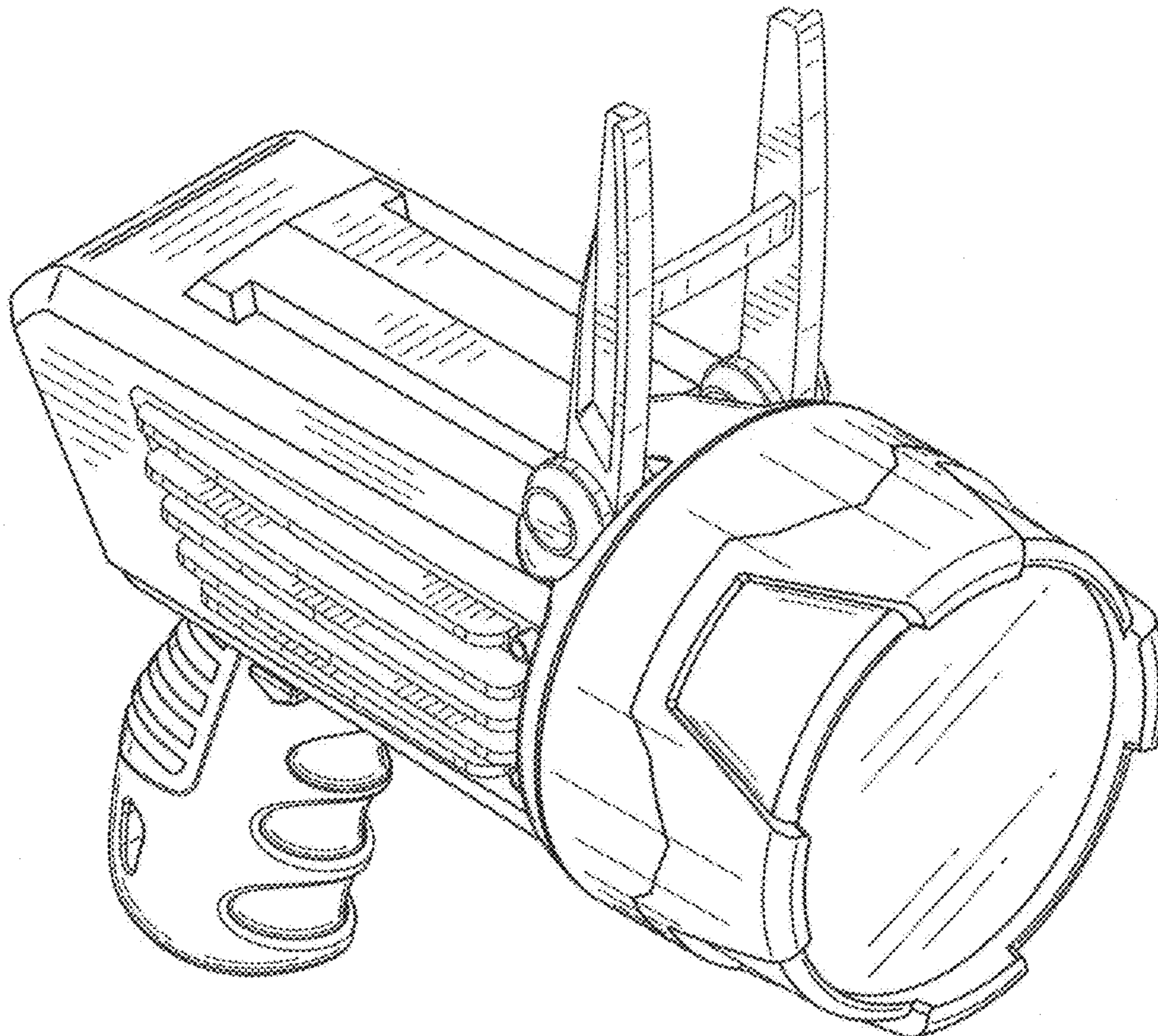
FIG. 6 is a right side view thereof.

FIG. 7 is a left side view thereof.

FIG. 8 is a front view thereof; and,

FIG. 9 is a back view.

**1 Claim, 8 Drawing Sheets**



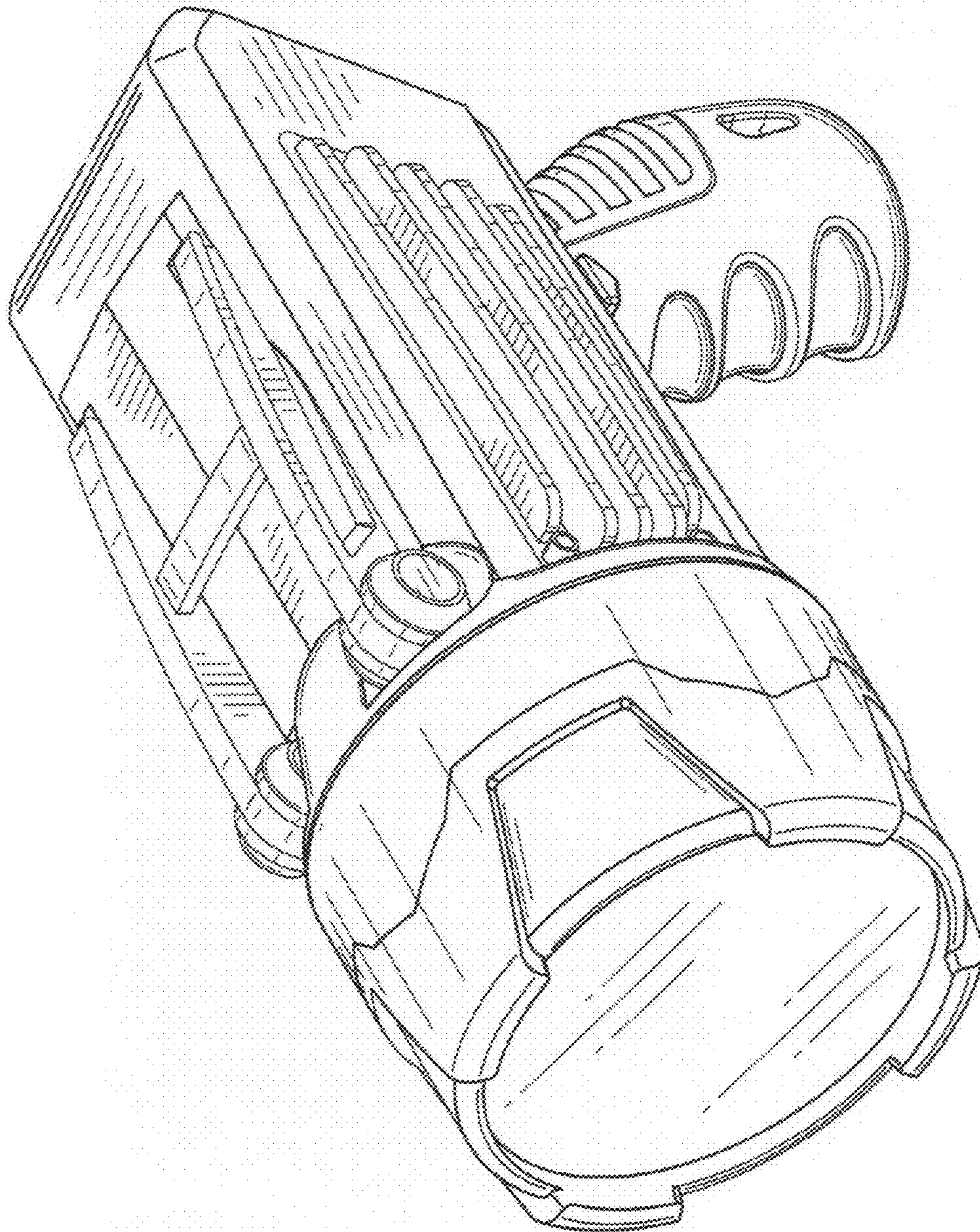


FIG. 1

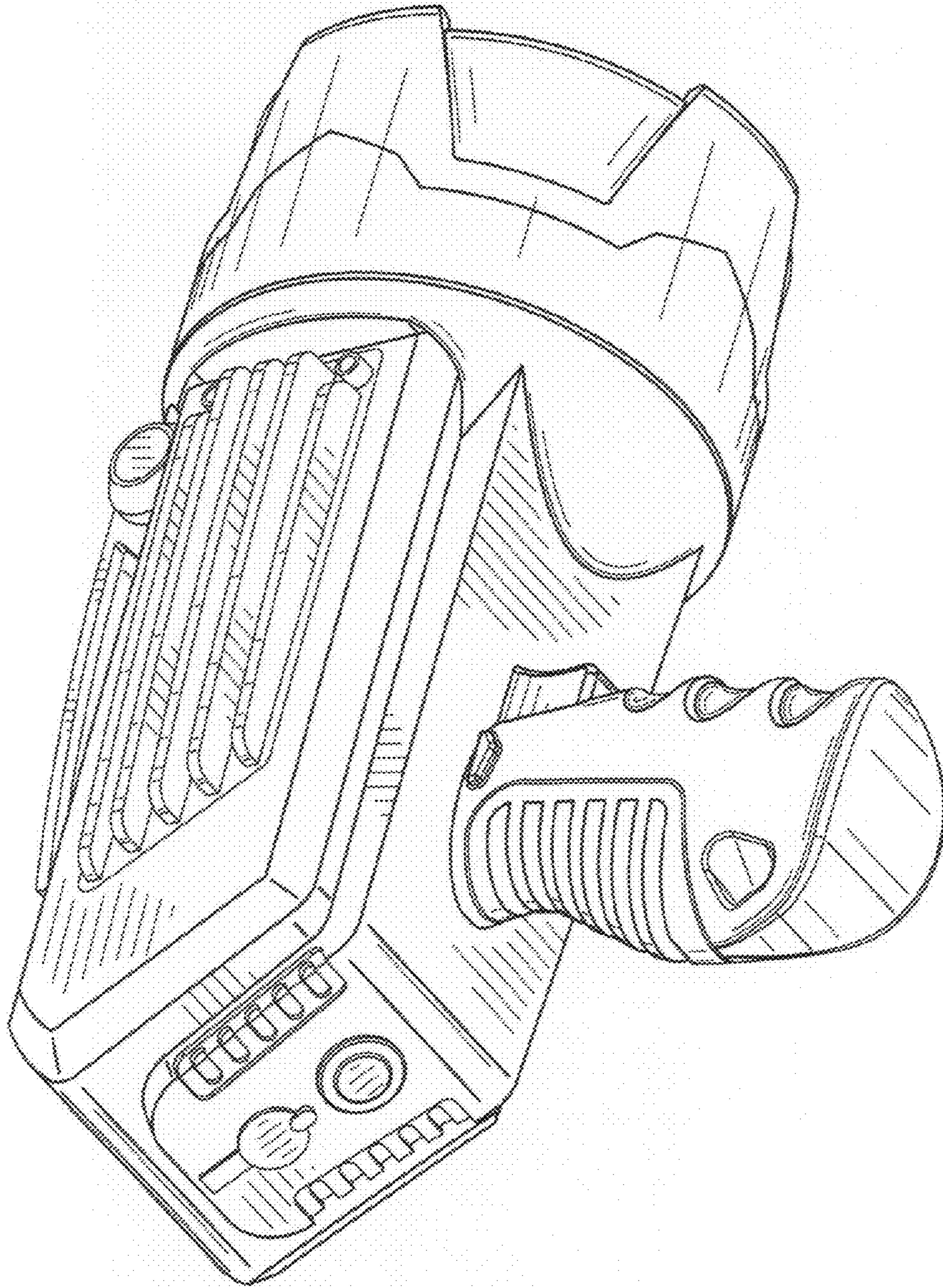


FIG. 2

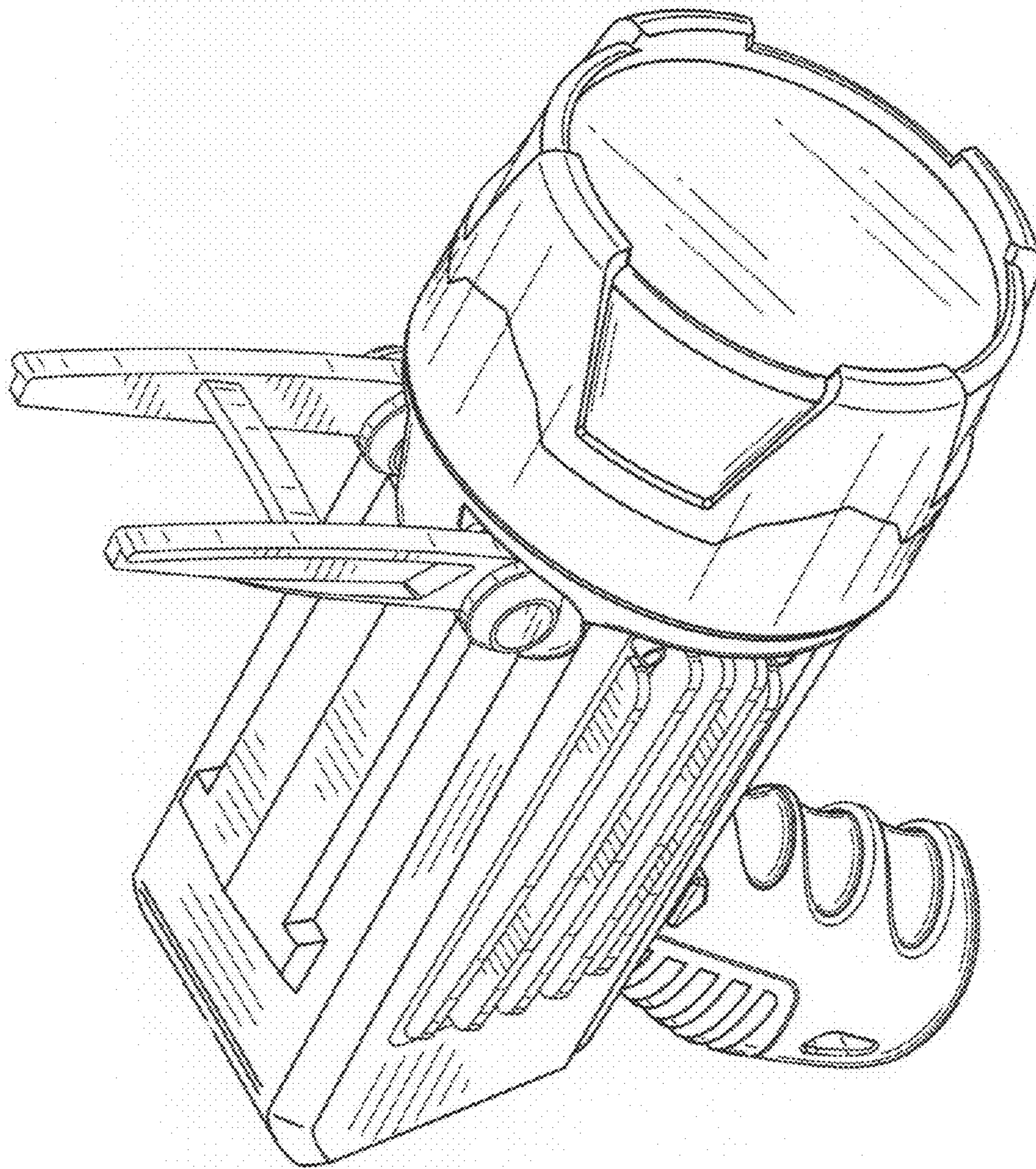


FIG. 3

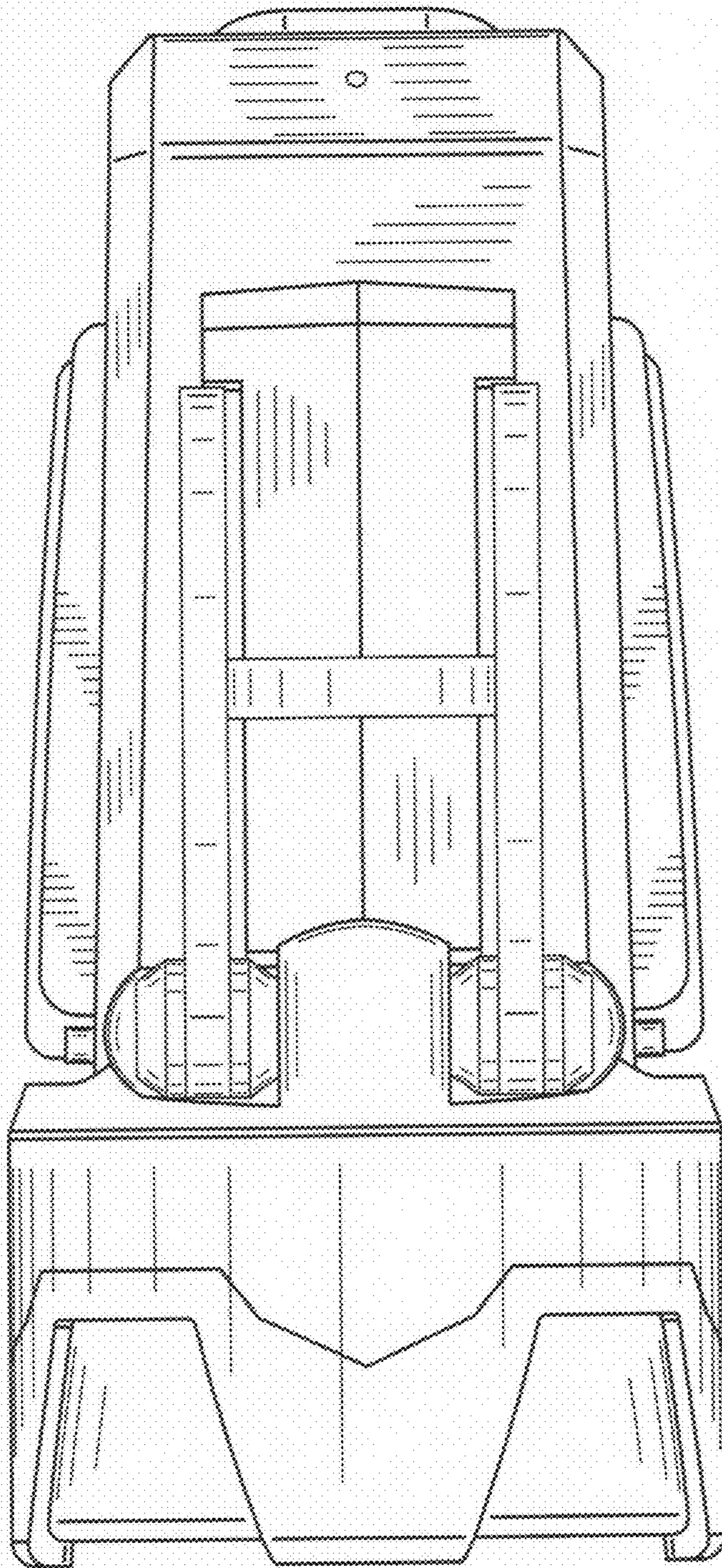


FIG. 4

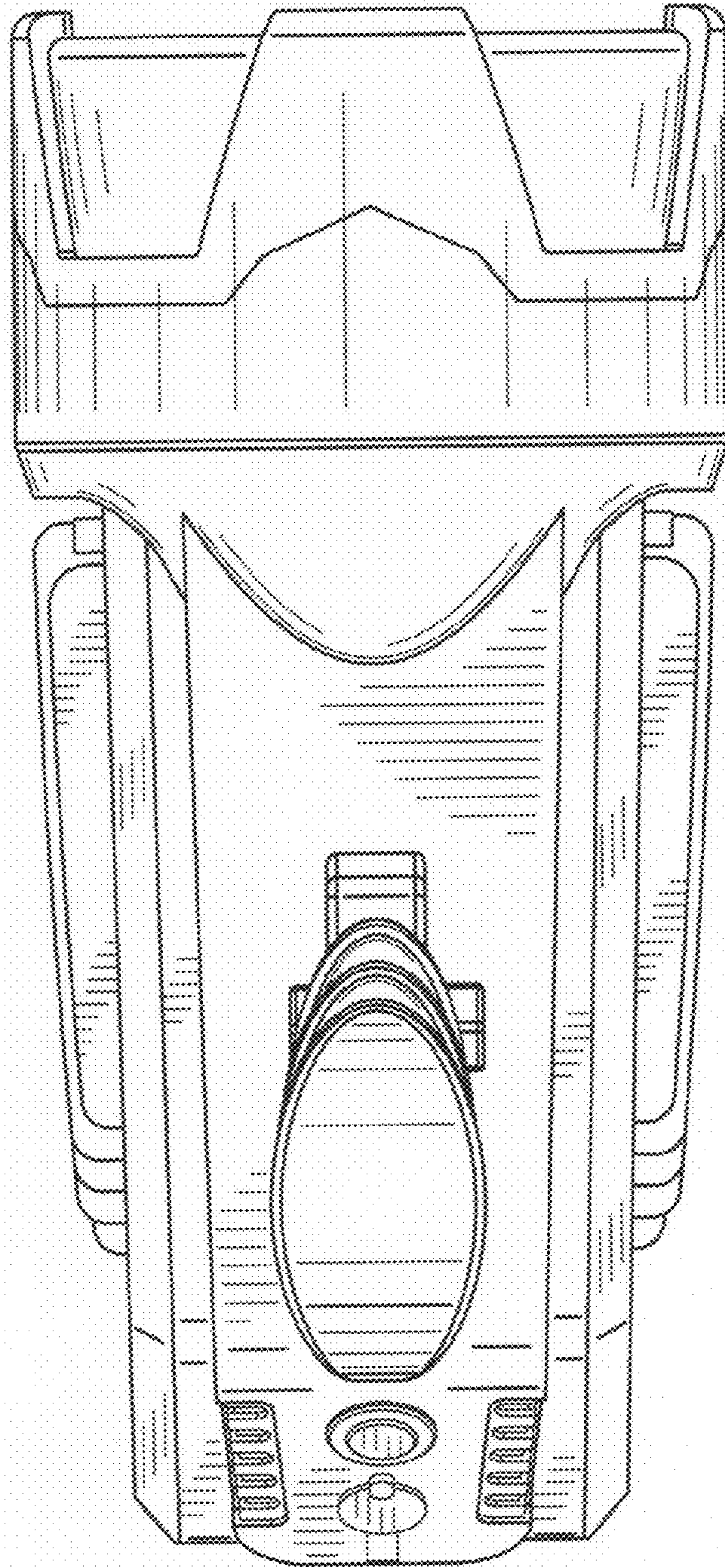


FIG. 5

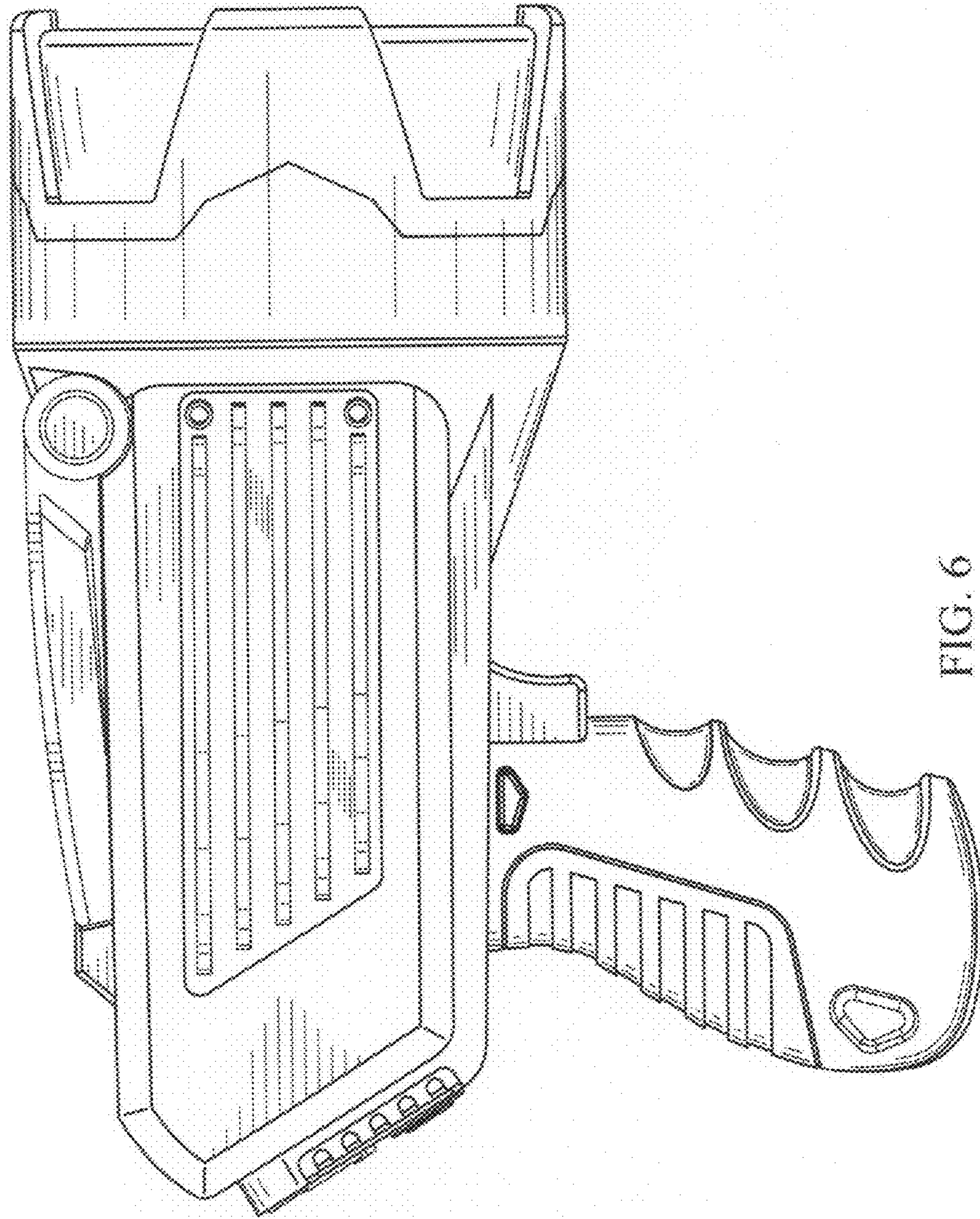


FIG. 6

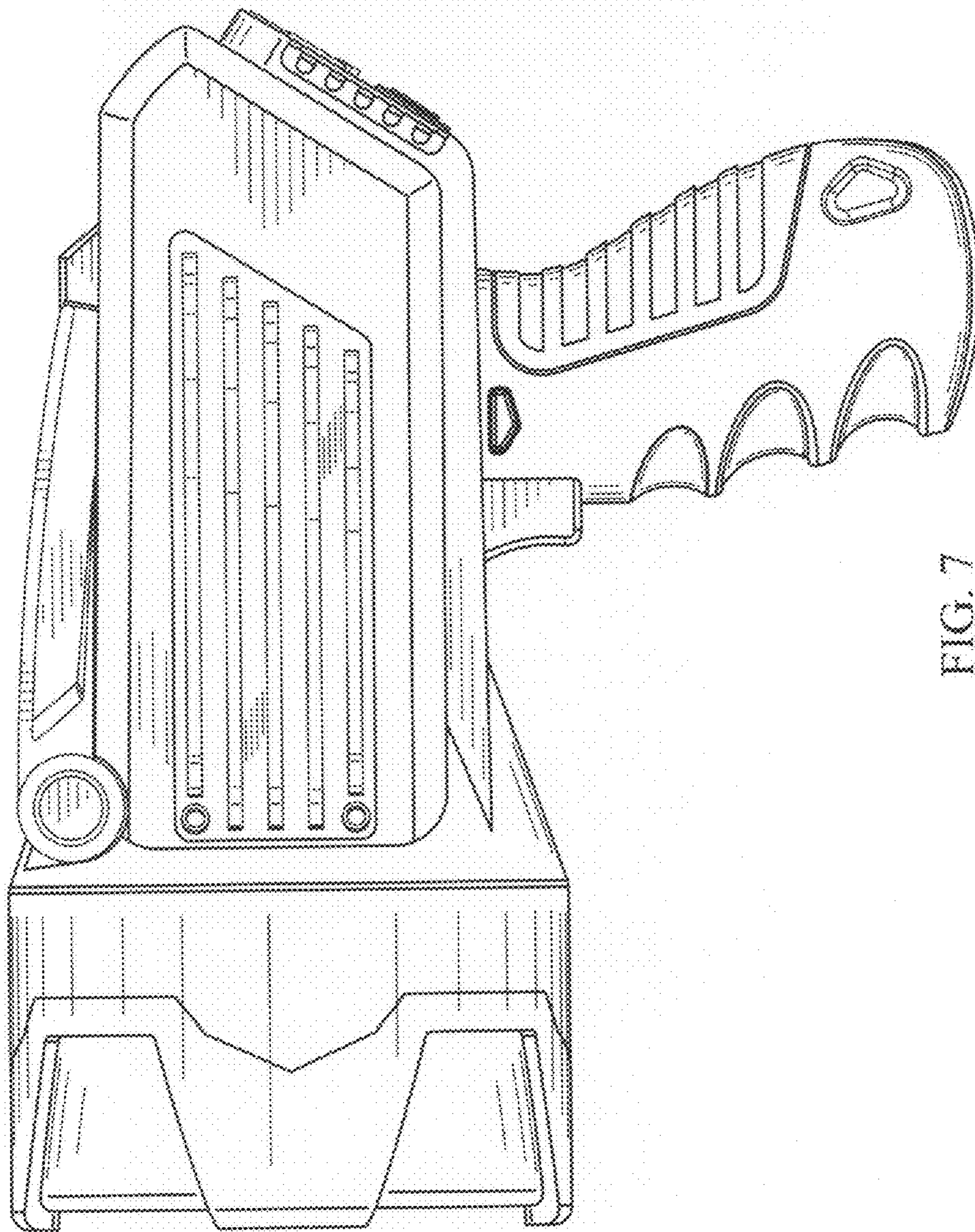


FIG. 7



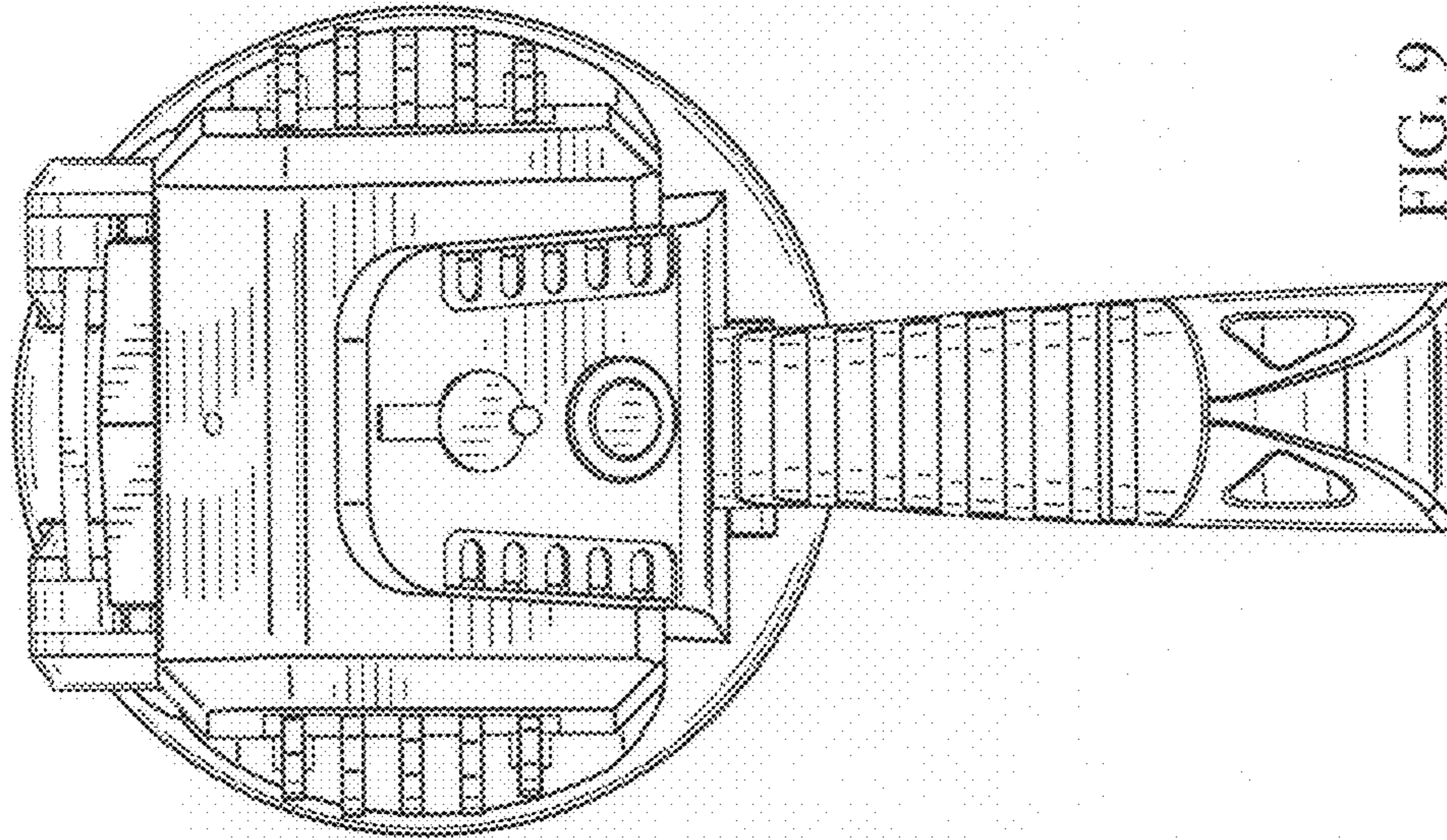


FIG. 9

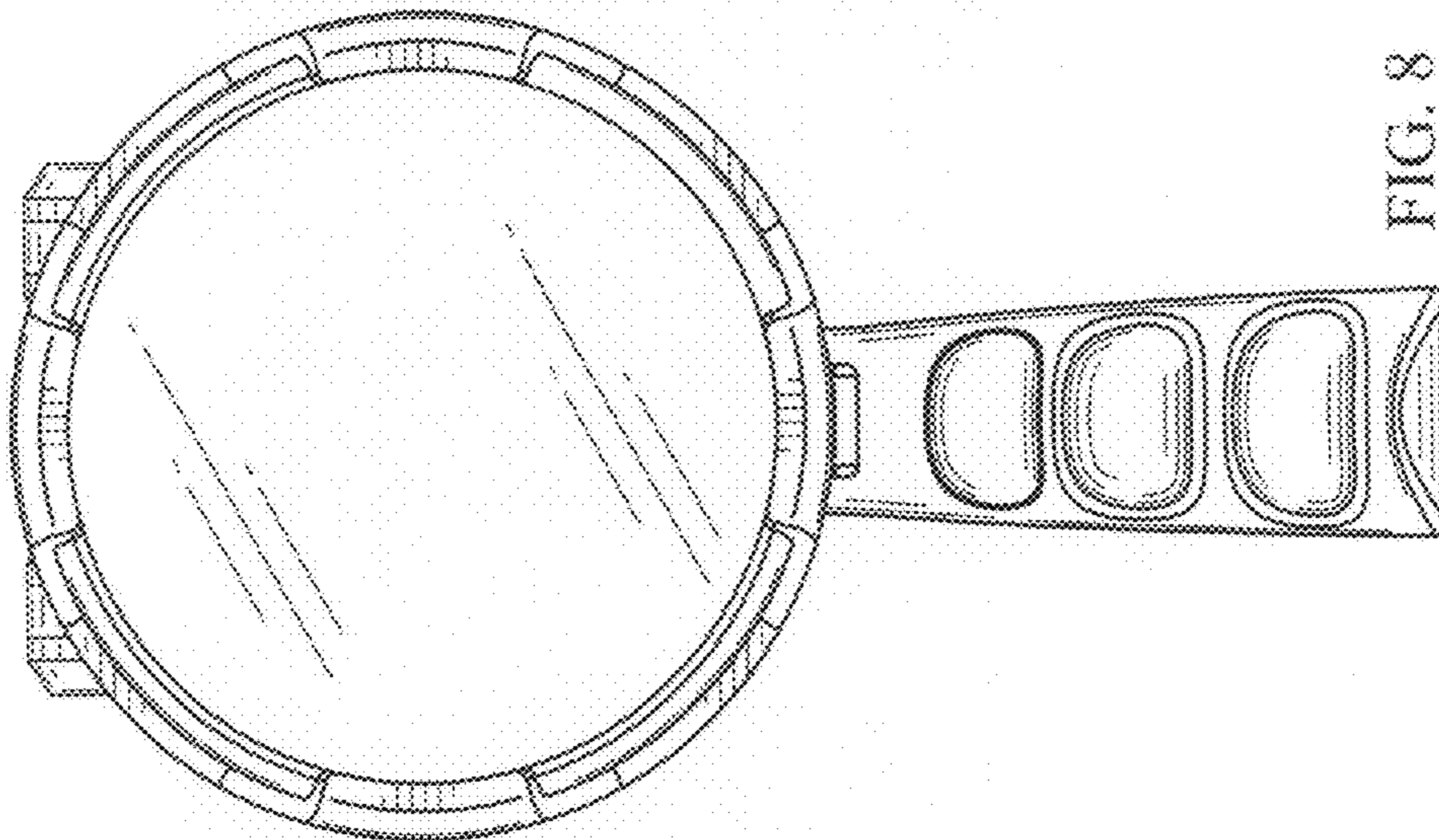


FIG. 8