



US00D702380S

(12) **United States Design Patent**
Kobayashi

(10) **Patent No.:** **US D702,380 S**
(45) **Date of Patent:** **** Apr. 8, 2014**

(54) **FRONT COMBINATION LAMP FOR AN AUTOMOBILE**

(71) Applicant: **Hiroyuki Kobayashi**, Tokyo (JP)

(72) Inventor: **Hiroyuki Kobayashi**, Tokyo (JP)

(73) Assignees: **Toyota Jidosha Kabushiki Kaisha (JP);**
Fuji Jukogyo Kabushiki Kaisha (JP)

(**) Term: **14 Years**

(21) Appl. No.: **29/454,378**

(22) Filed: **May 9, 2013**

Related U.S. Application Data

(62) Division of application No. 29/400,075, filed on Aug. 23, 2011, now Pat. No. Des. 685,116.

(30) **Foreign Application Priority Data**

Feb. 28, 2011 (JP) 2011-004250
May 16, 2011 (JP) 2011-010884

(51) **LOC (10) Cl.** **26-06**

(52) **U.S. Cl.**
USPC **D26/28**

(58) **Field of Classification Search**
USPC D26/28-35; 362/459-468, 475-478,
362/485-487
See application file for complete search history.

(56) **References Cited**

U.S. PATENT DOCUMENTS

D508,136 S * 8/2005 Pfeiffer D26/28
D518,581 S * 4/2006 Osawa D26/28

D528,681 S * 9/2006 Nakahara D26/28
D528,685 S * 9/2006 Yoshida D26/28
D538,956 S 3/2007 Ishii
D544,114 S * 6/2007 Ohta D26/28
D544,614 S * 6/2007 Markefka D26/28
D549,857 S * 8/2007 Lin et al. D26/28
D556,349 S 11/2007 Golden et al.
D561,358 S * 2/2008 Tachibana D26/28

OTHER PUBLICATIONS

Toyota, Toyota FT-86 Concept, Hachiroku "86" (Motor Magazine Mook), Kabushiki Kaisha Motor Magazine Sha, 4862792170, Feb. 23, 2010.
Audi AG, Audi R8 Spyder, Brochure of Audi R8 Spyder, Audi AG, available at least as early as Sep. 2009.
BMW, BMW 7 Series, Brochure of BMW 7 Series, BMW, available at least as early as Sep. 2009.

* cited by examiner

Primary Examiner — Marcus Jackson

(74) *Attorney, Agent, or Firm* — SAIDMAN DesignLaw Group

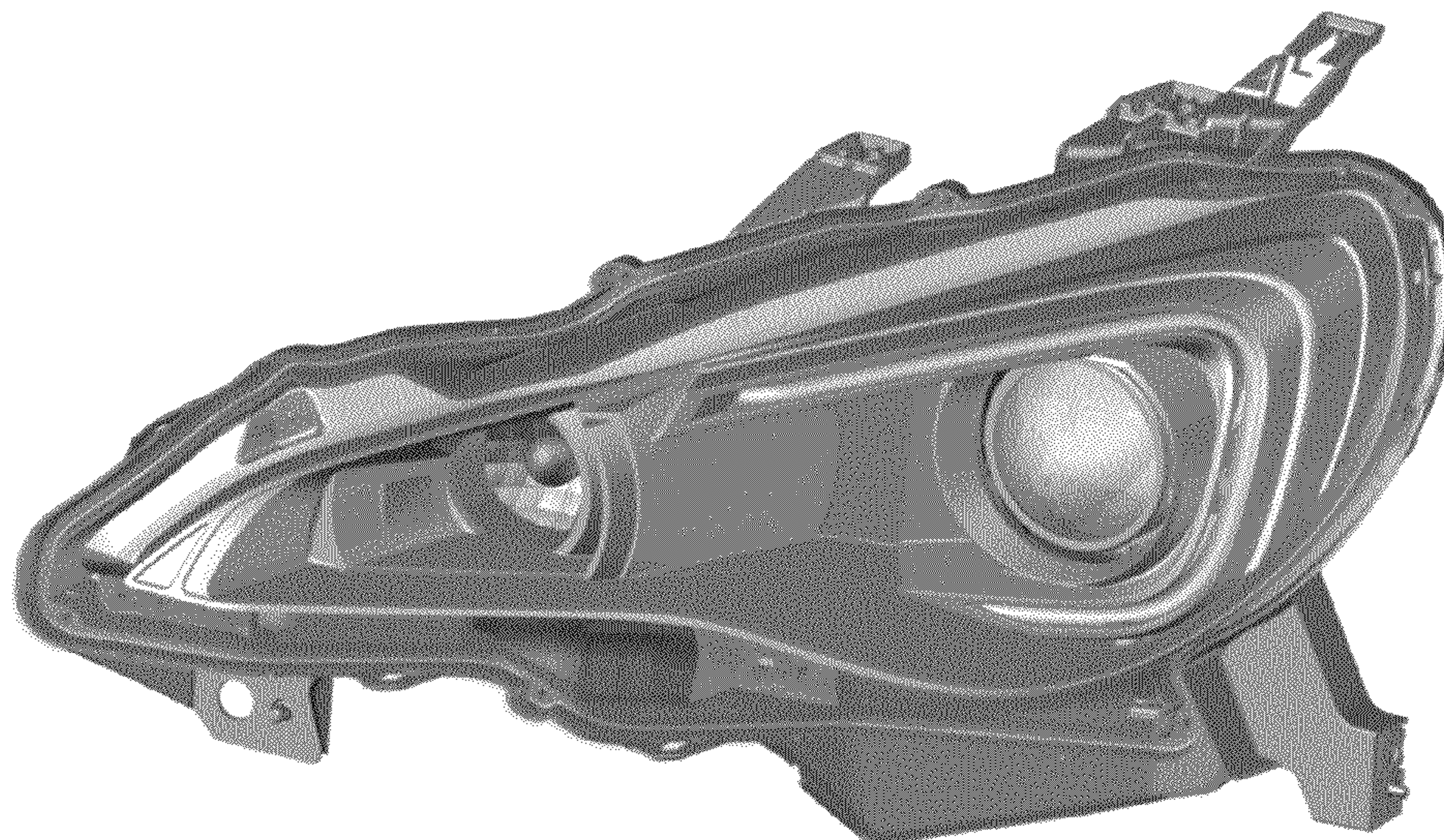
(57) **CLAIM**

The ornamental design for a front combination lamp for an automobile, as shown and described.

DESCRIPTION

FIG. 1 is a perspective view of a front combination lamp for an automobile showing my new design;
FIG. 2 is a front view thereof;
FIG. 3 is a top view thereof;
FIG. 4 is a bottom view thereof; and,
FIG. 5 is a right side view thereof.

1 Claim, 3 Drawing Sheets



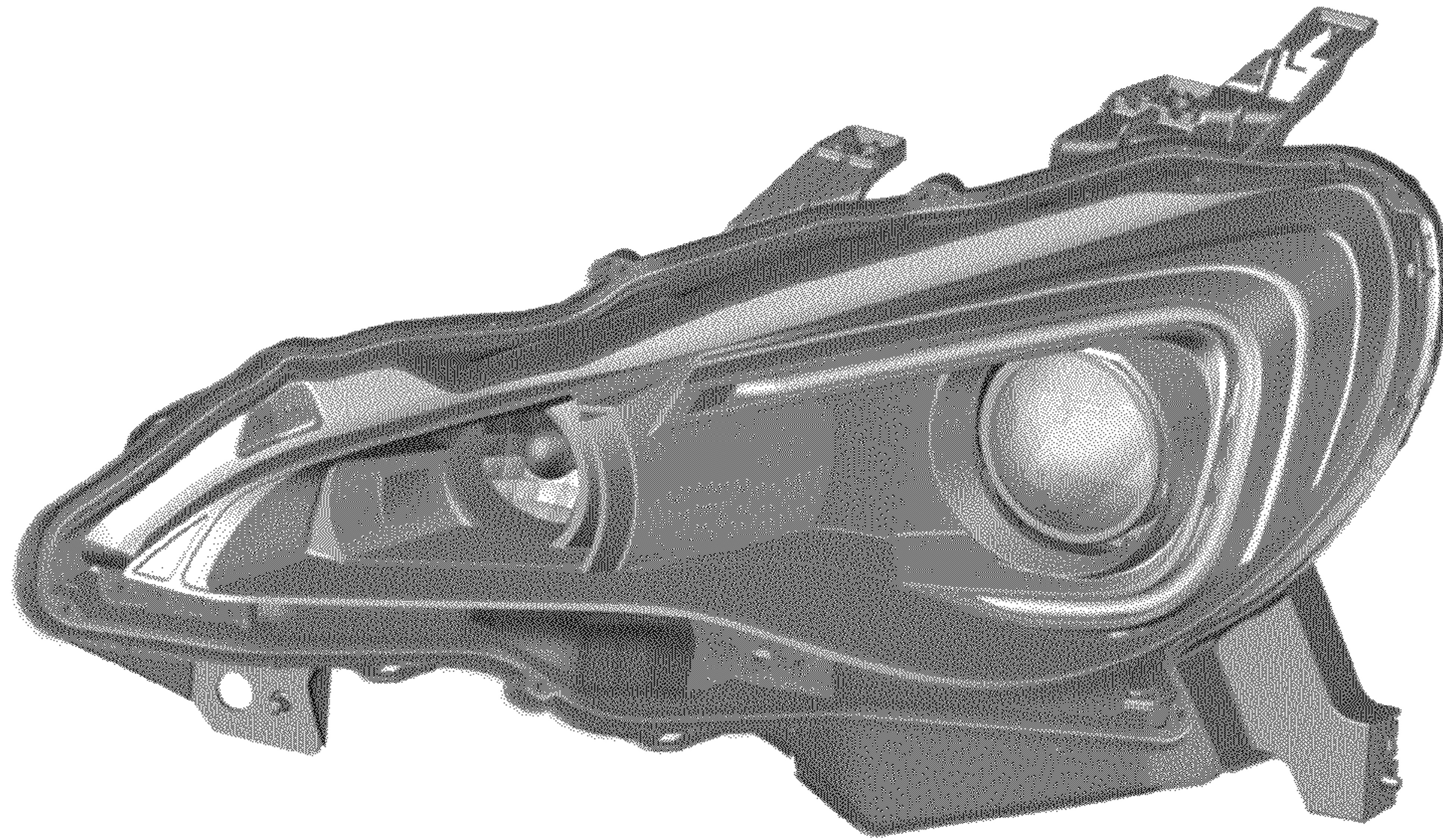


FIG. 1

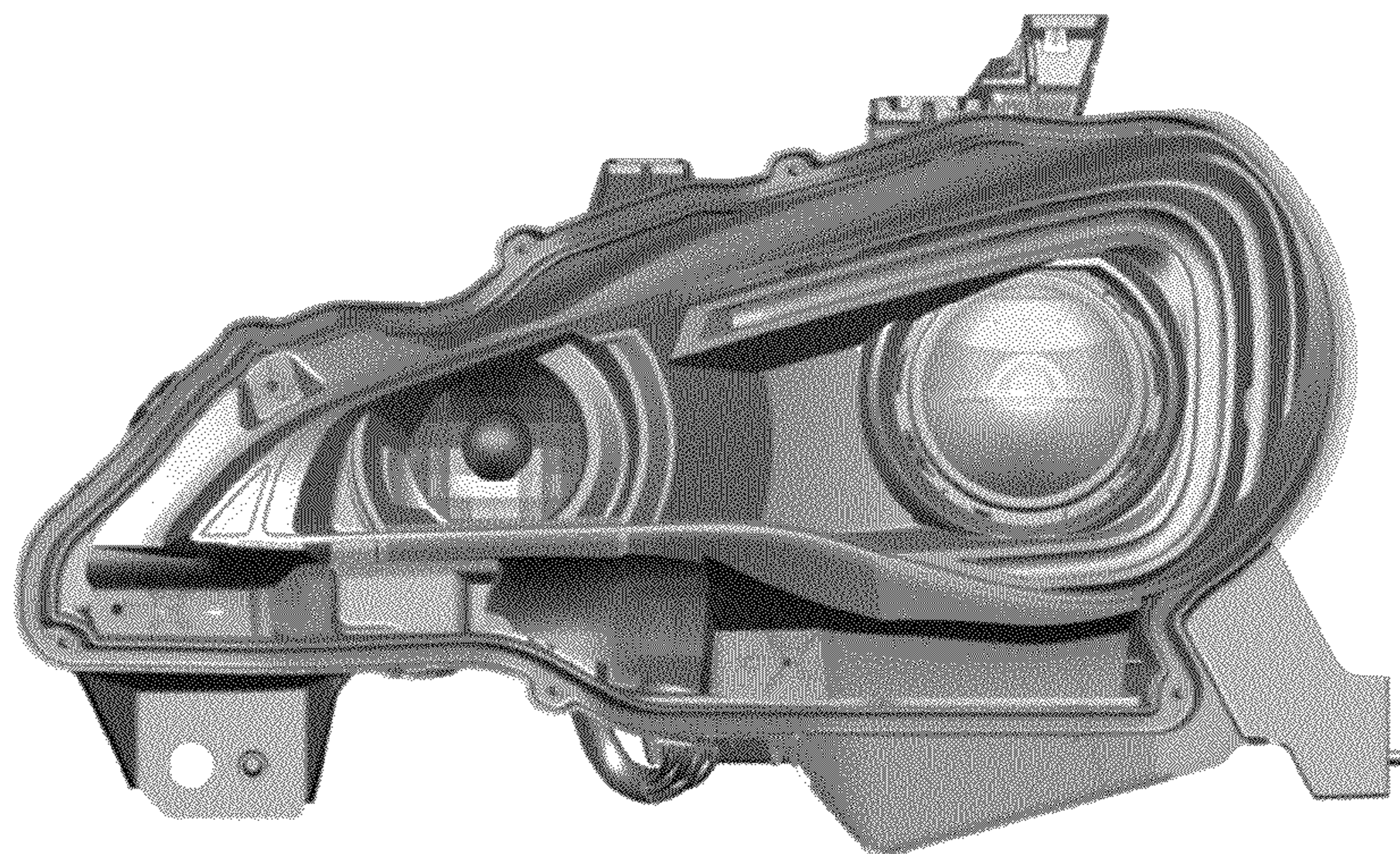


FIG. 2

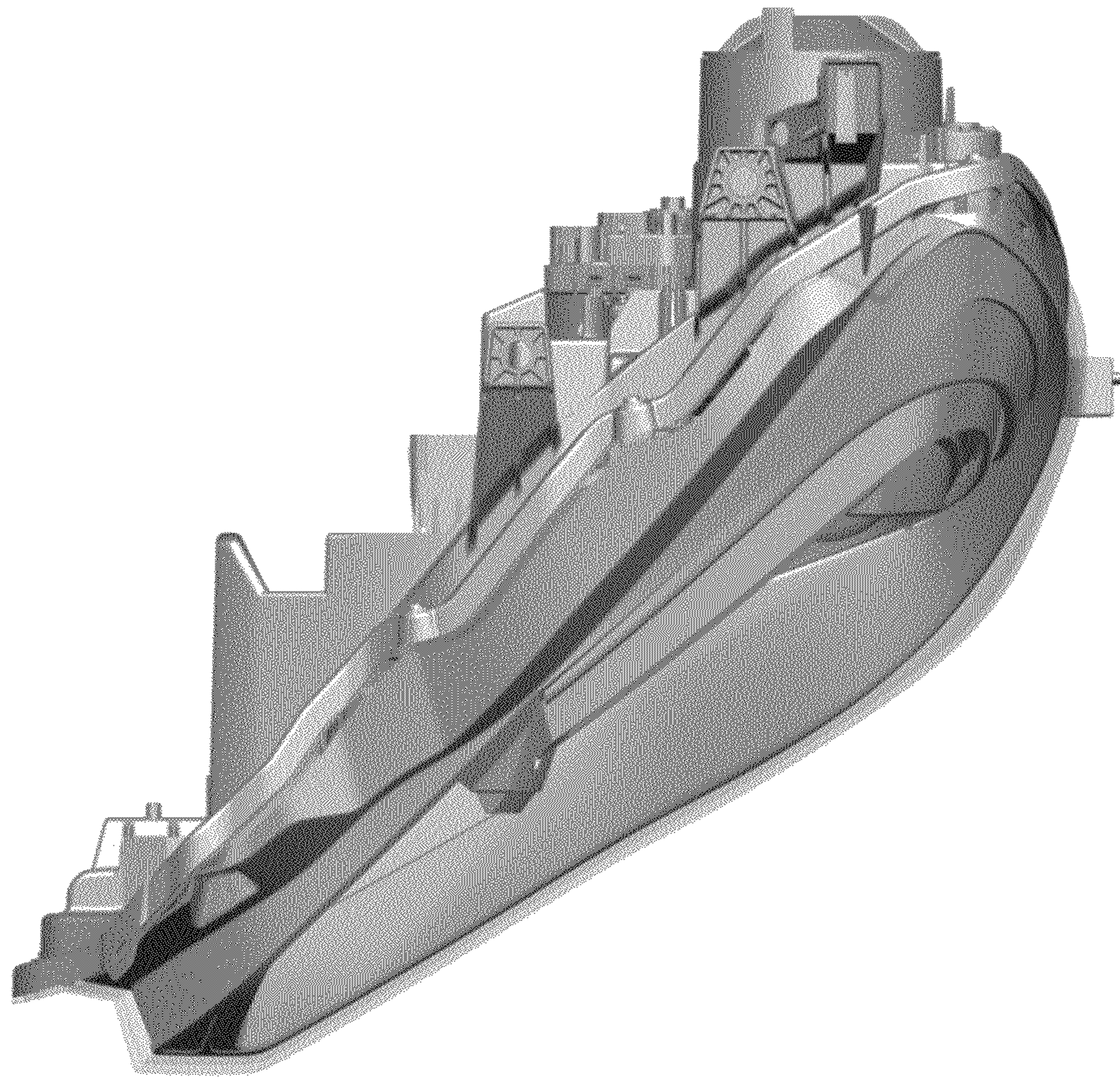


FIG. 3

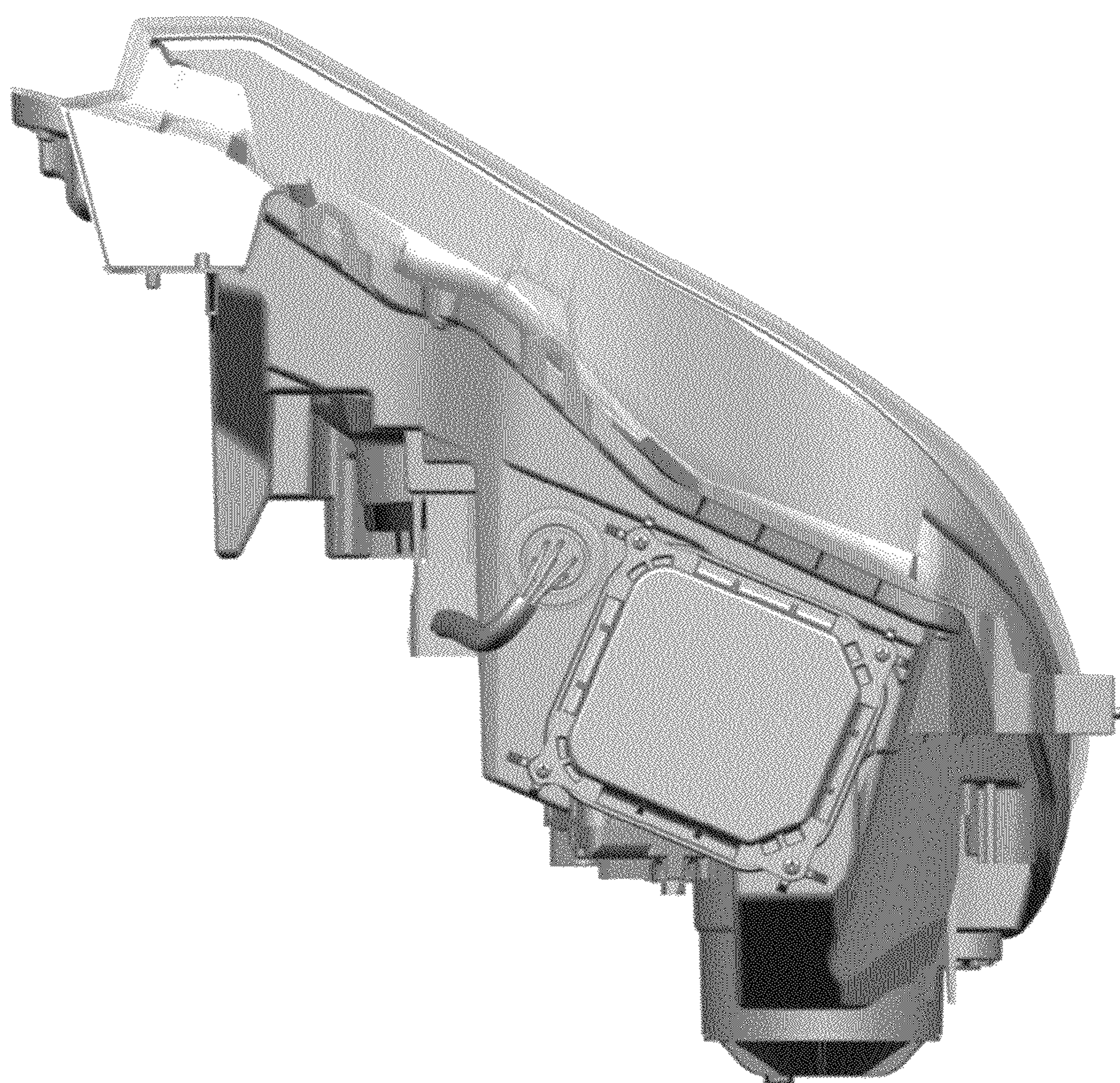


FIG. 4

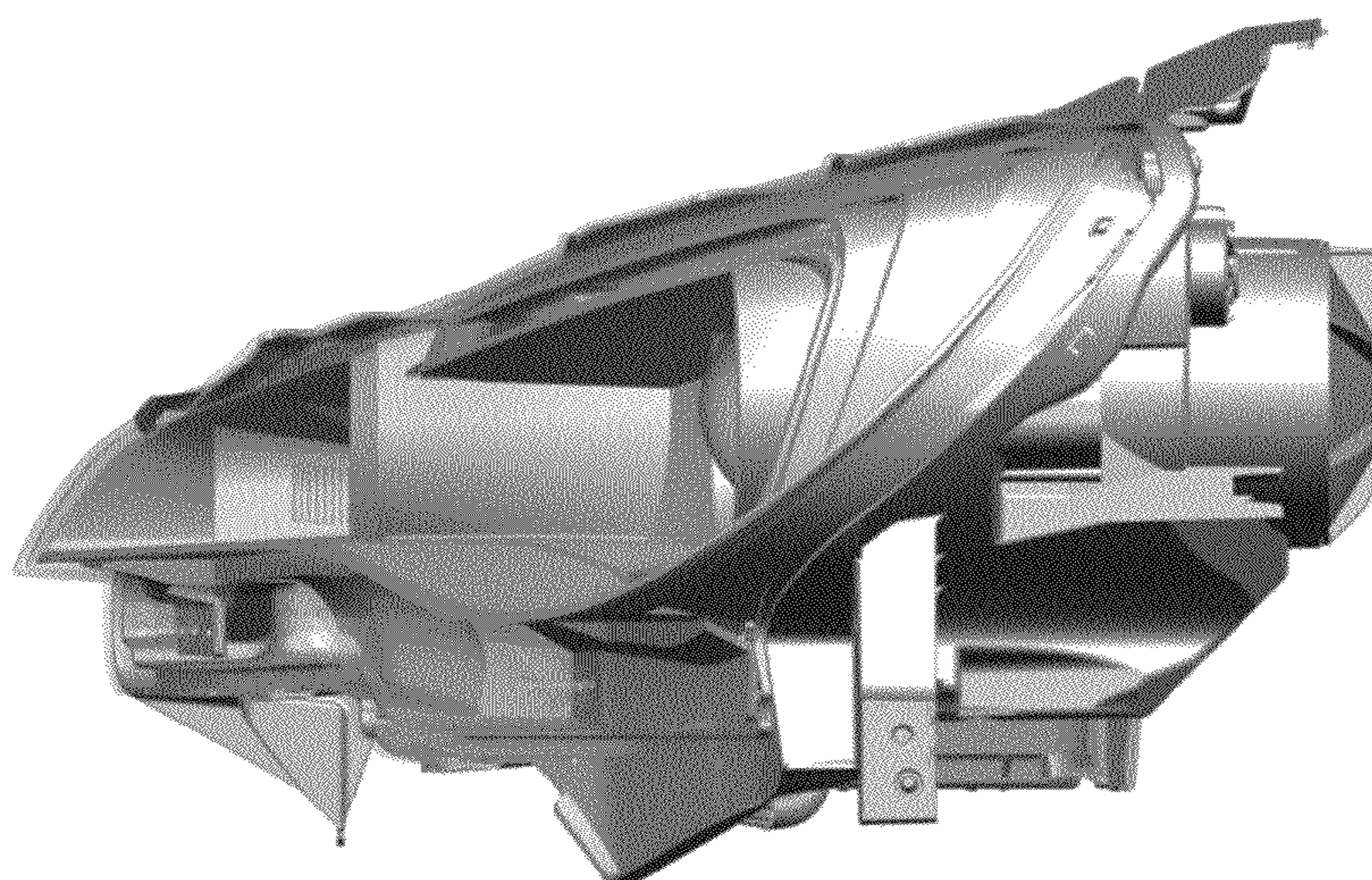


FIG. 5