



US00D702379S

(12) **United States Design Patent**
Shaffer

(10) **Patent No.:** **US D702,379 S**

(45) **Date of Patent:** **** Apr. 8, 2014**

(54) **FAUCET LIGHT**

(71) Applicant: **Kevin Shaffer**, Ravenna, OH (US)

(72) Inventor: **Kevin Shaffer**, Ravenna, OH (US)

(73) Assignee: **Kevin Shaffer**, Ravenna, OH (US)

(**) Term: **14 Years**

(21) Appl. No.: **29/434,710**

(22) Filed: **Oct. 16, 2012**

(51) **LOC (10) Cl.** **26-05**

(52) **U.S. Cl.**
USPC **D26/26**

(58) **Field of Classification Search**
USPC D26/3, 4, 26, 34, 36, 51, 59, 72, 73, 78,
D26/104, 113; D21/680-682, 785, 786;
D11/8, 18, 22, 40-44, 48, 50, 146, 152,
D11/154; D9/516, 519, 521, 549; 362/84,
362/101, 226, 249.01, 249.06, 249.14,
362/249.16, 253, 433, 451, 453-455, 640,
362/641, 644, 647, 806; 422/556

See application file for complete search history.

(56) **References Cited**

U.S. PATENT DOCUMENTS

1,635,472	A *	7/1927	Geiser	D21/786
D108,779	S *	3/1938	Crewse	D26/51
2,199,310	A *	4/1940	Hartley	D21/786
2,305,896	A *	12/1942	Prati	215/12.1
D247,920	S *	5/1978	Dykehouse	D21/786

D272,096	S *	1/1984	Nanba	D26/3
5,195,819	A *	3/1993	Chaut et al.	362/253
D419,630	S *	1/2000	Albarelli, Jr.	D21/786
D434,998	S *	12/2000	Bouwman et al.	D11/154
D517,194	S *	3/2006	Gerhardt et al.	D23/411
D558,283	S *	12/2007	Mollet	D21/680
D578,169	S *	10/2008	Hamilton et al.	D21/786
D599,491	S *	9/2009	Luo	D26/4
2007/0253222	A1 *	11/2007	Driska et al.	362/641
2012/0268938	A1 *	10/2012	Peng	362/249.06
2013/0083537	A1 *	4/2013	Harwood	362/253

* cited by examiner

Primary Examiner — Garth Rademaker

Assistant Examiner — Llorellys Martinez-Rivera

(57) **CLAIM**

The ornamental design for a faucet light, as shown and described.

DESCRIPTION

FIG. 1 is a top left front perspective view of a faucet light showing our new design;

FIG. 2 is a top left back perspective view of a faucet light thereof;

FIG. 3 is a front view thereof;

FIG. 4 is a back view thereof;

FIG. 5 is a right side view thereof;

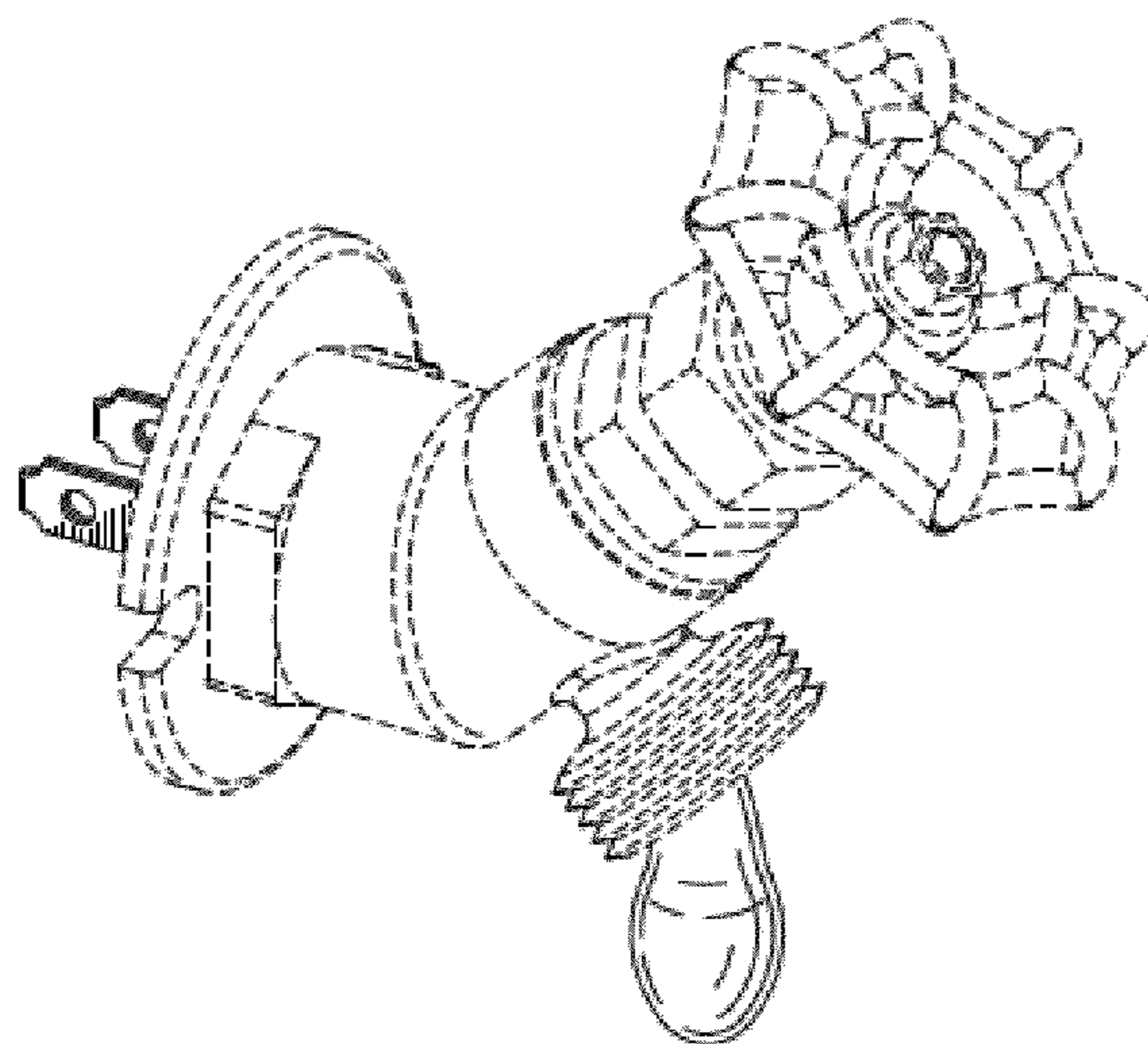
FIG. 6 is a left side view thereof;

FIG. 7 is a top view thereof; and,

FIG. 8 is a bottom view thereof.

The objects shown in broken, phantom lines are shown for environmental purposes only and form no part of the claimed design.

1 Claim, 4 Drawing Sheets



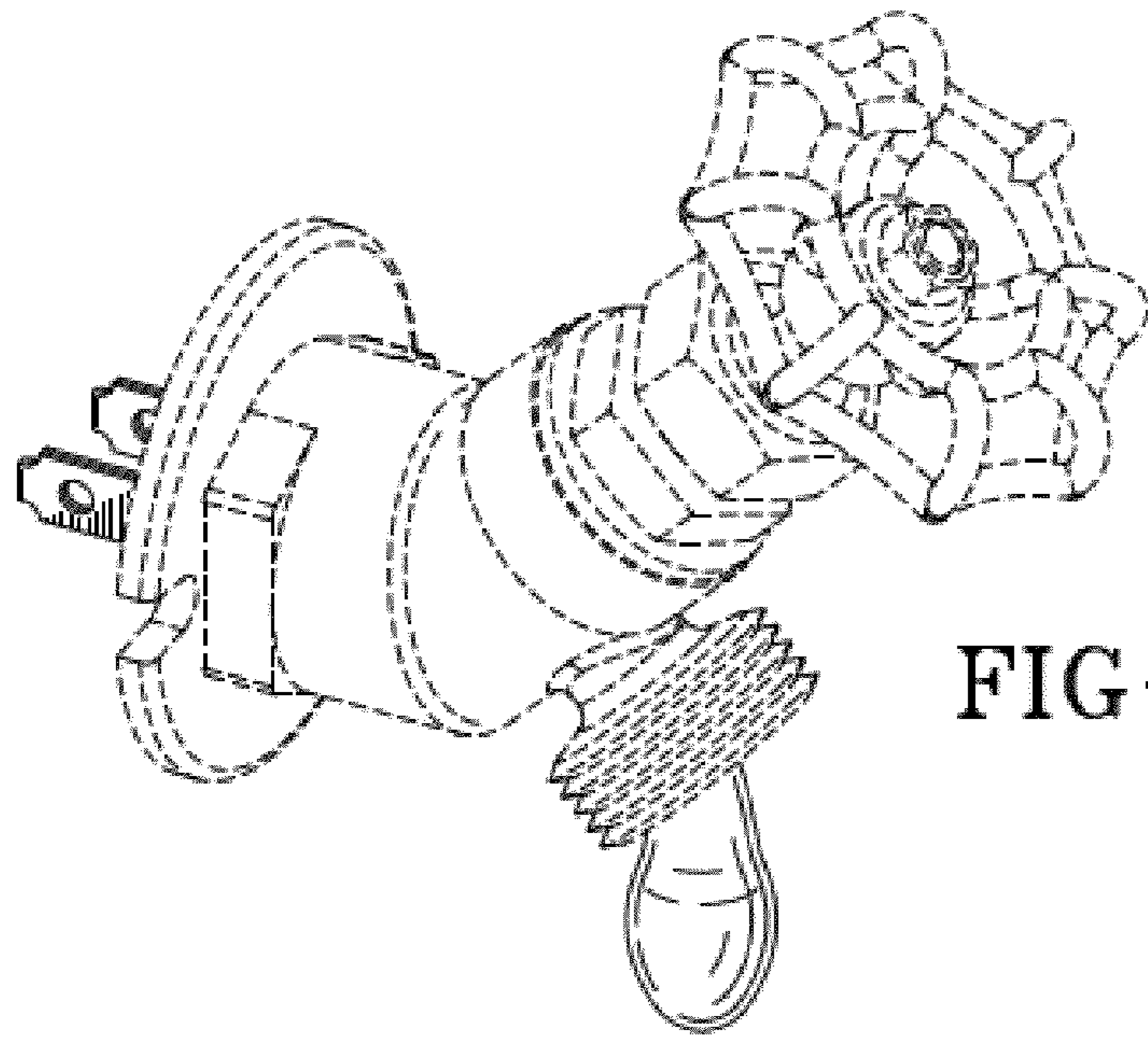


FIG-1

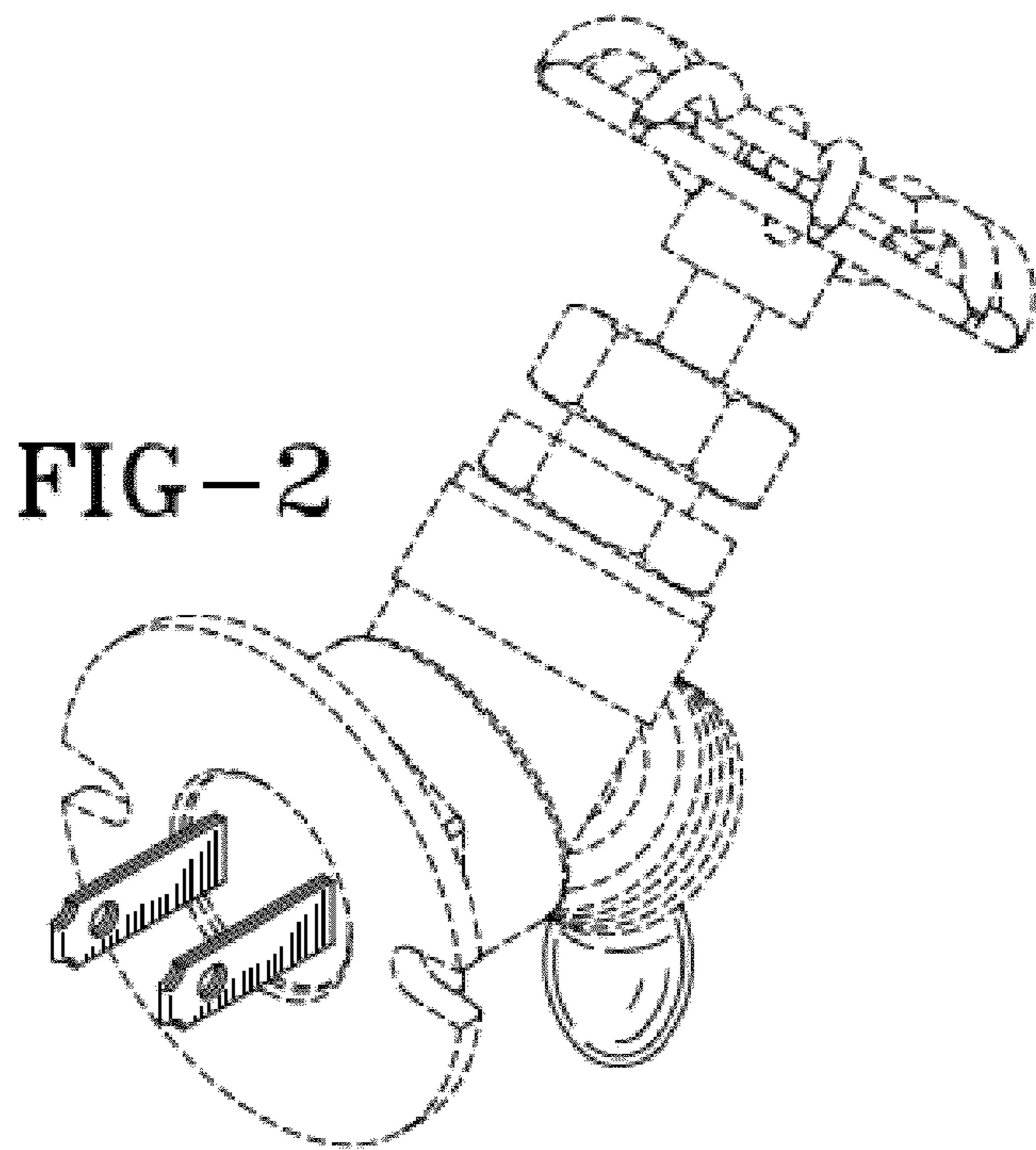


FIG-2

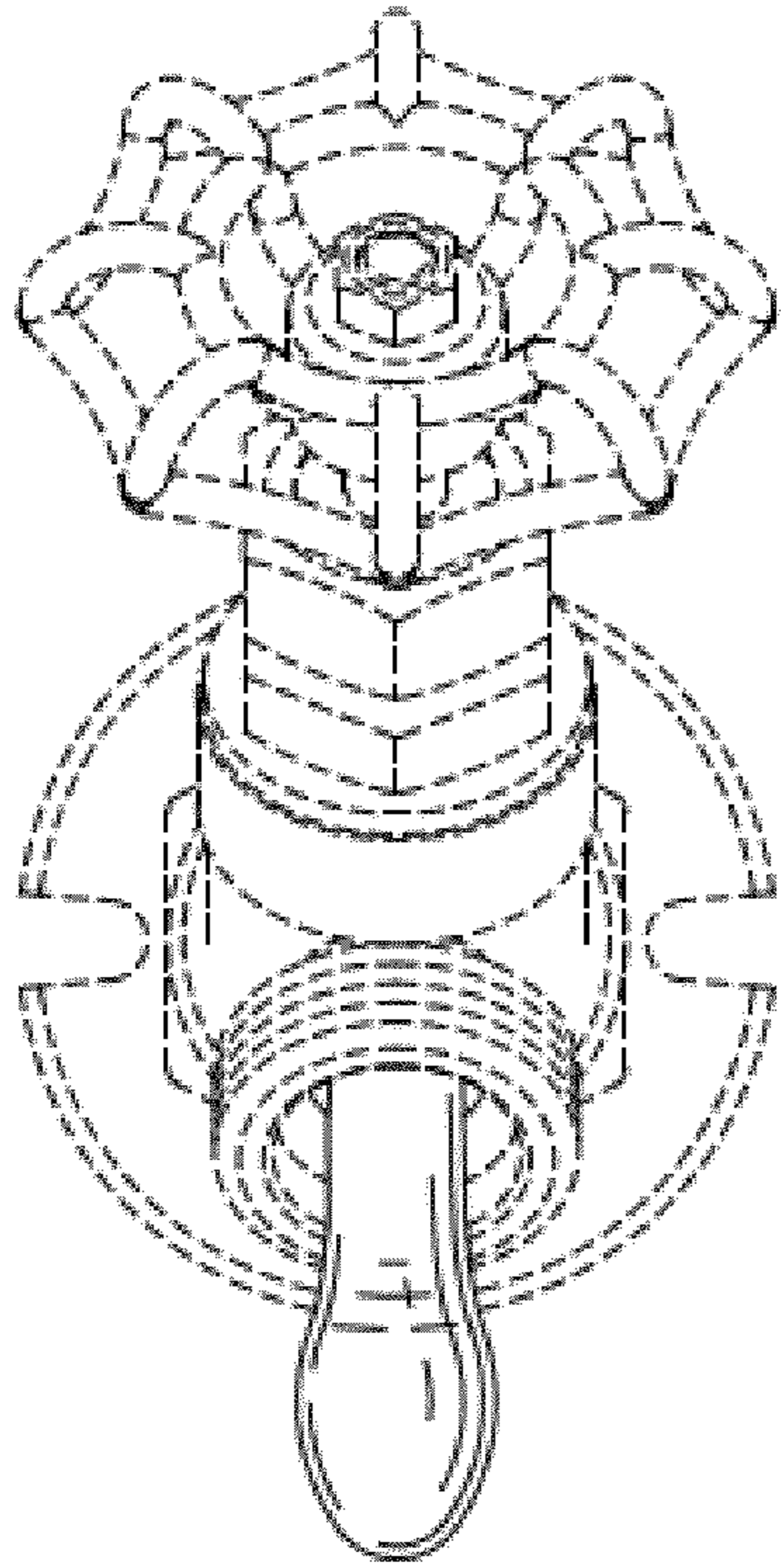


FIG-3

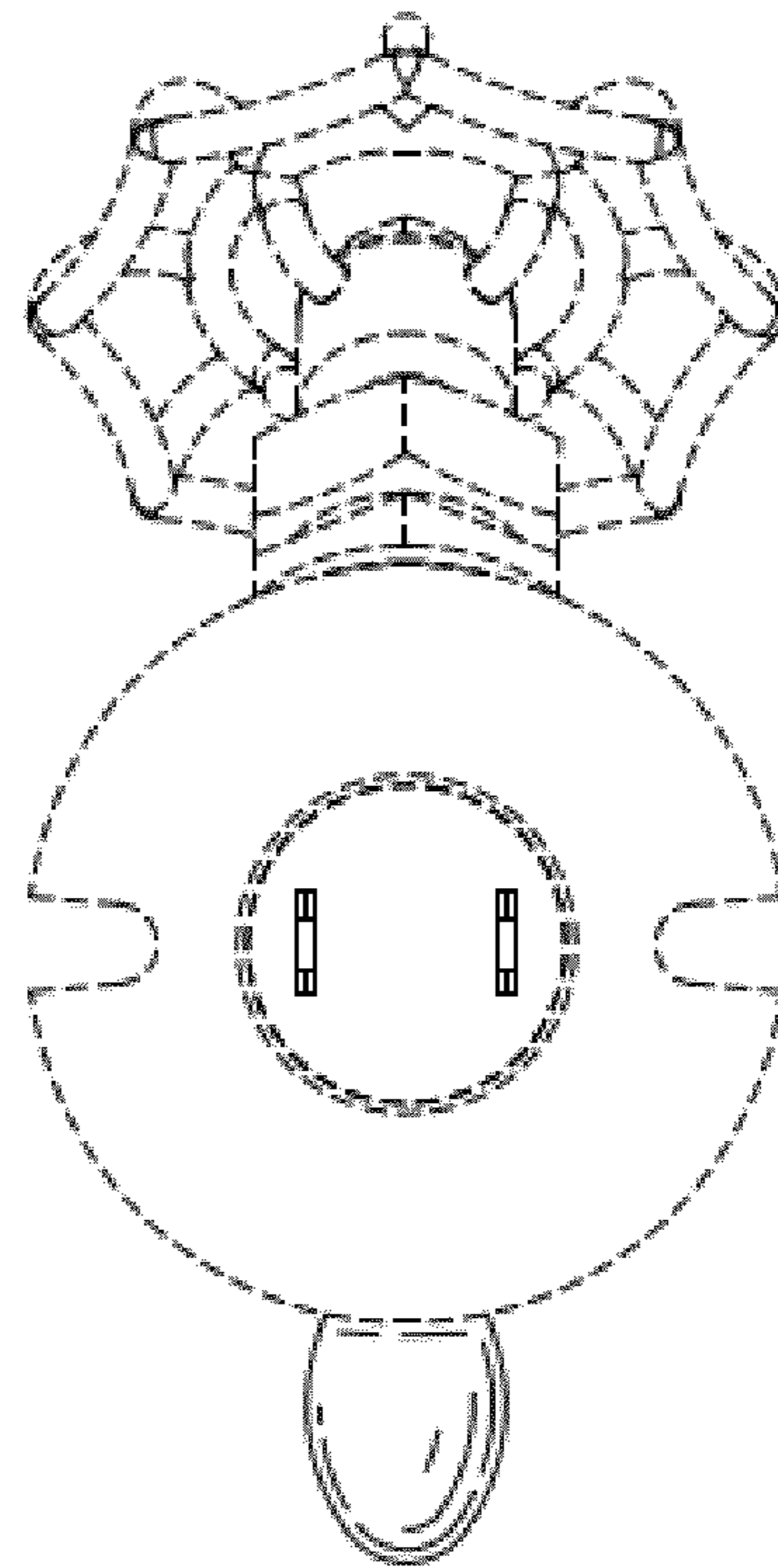
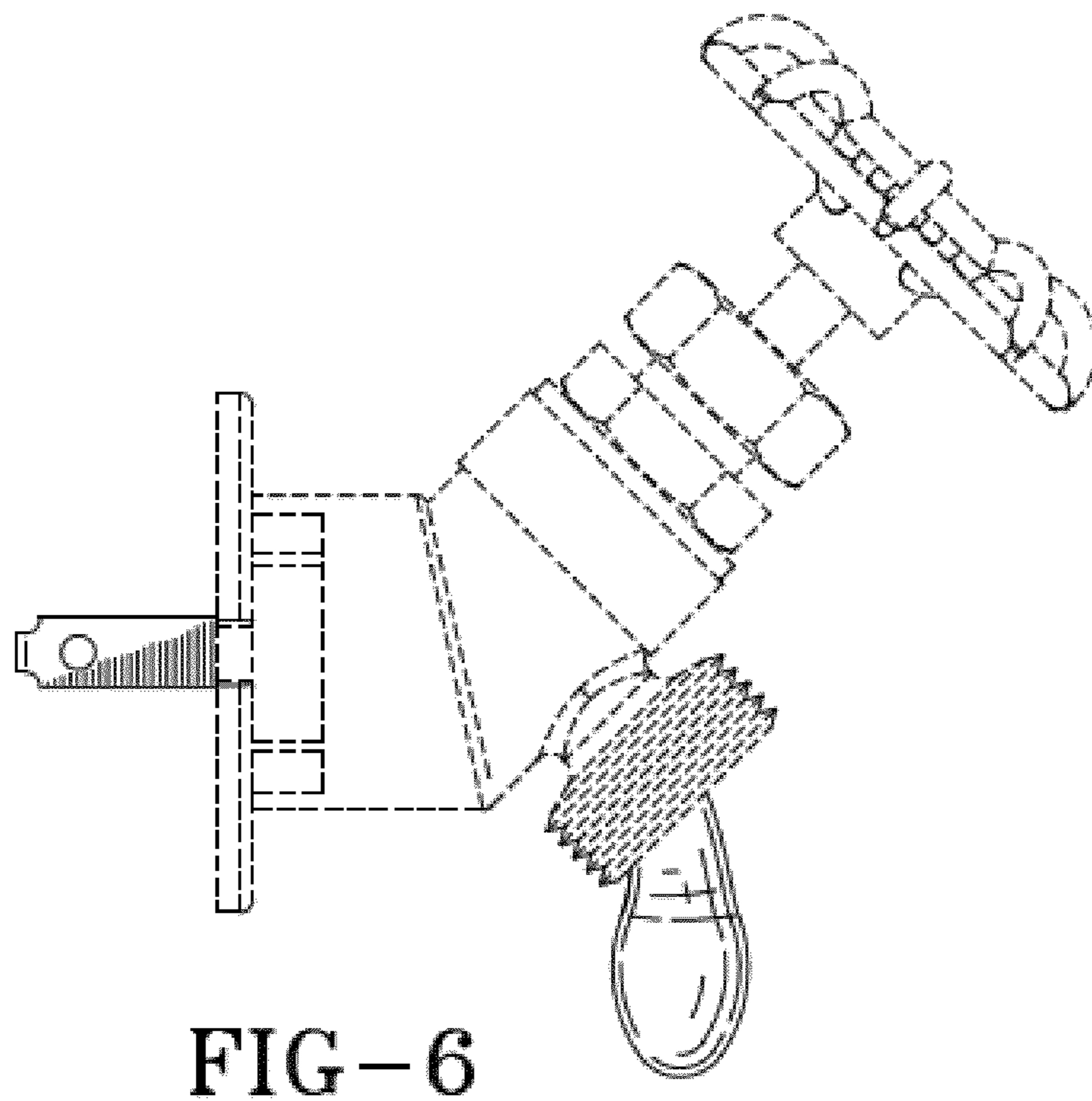
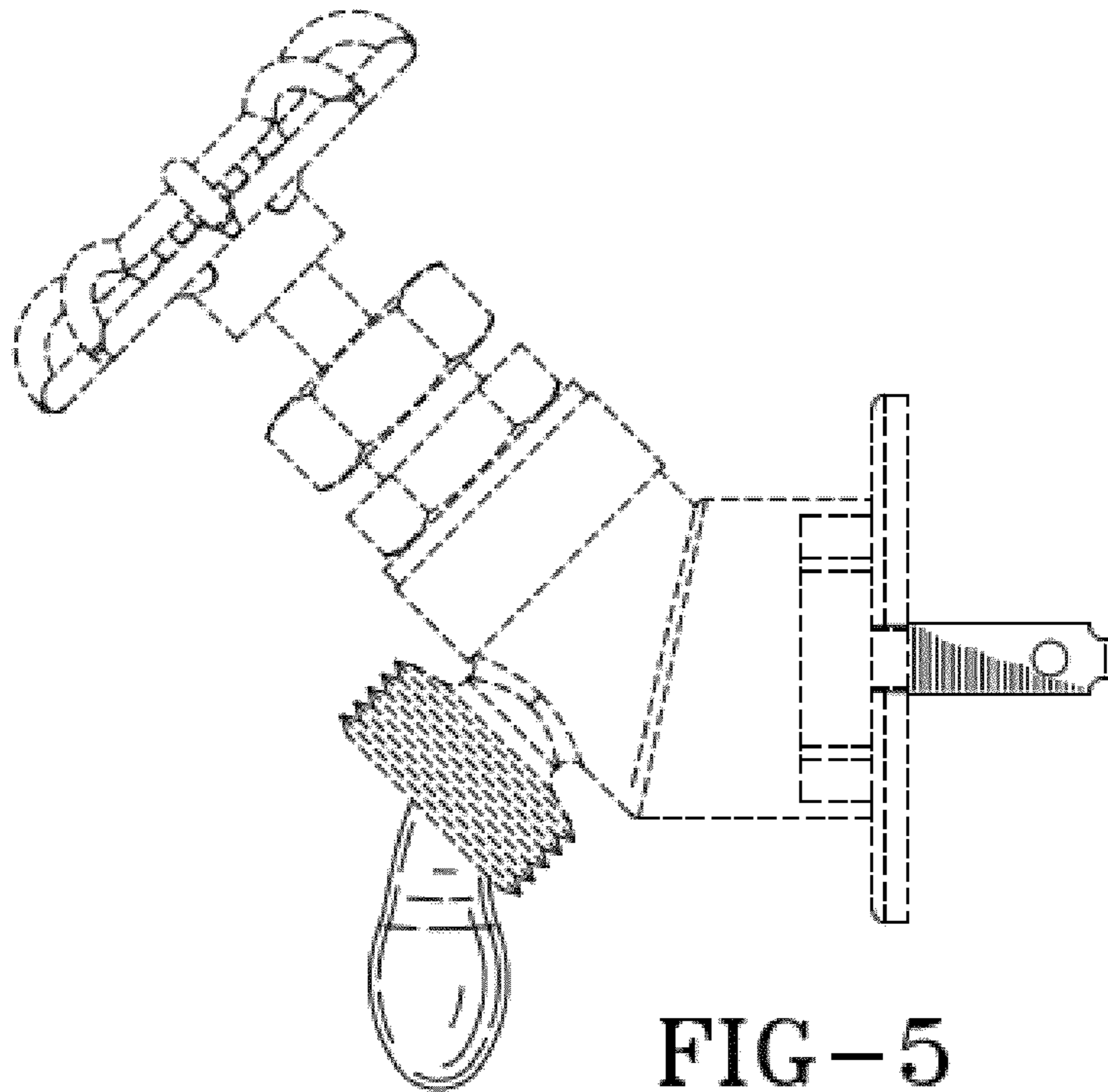


FIG-4



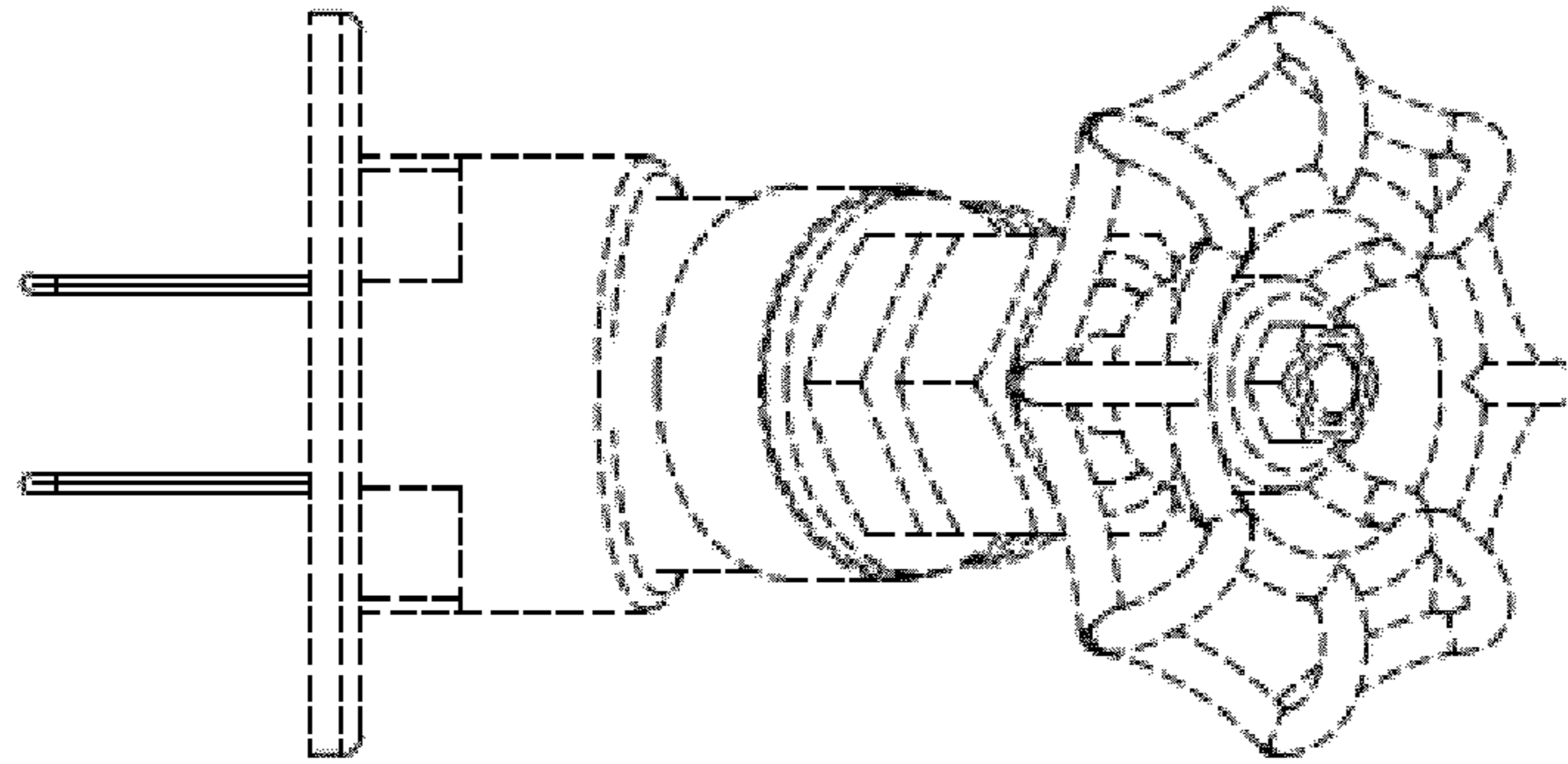


FIG-7

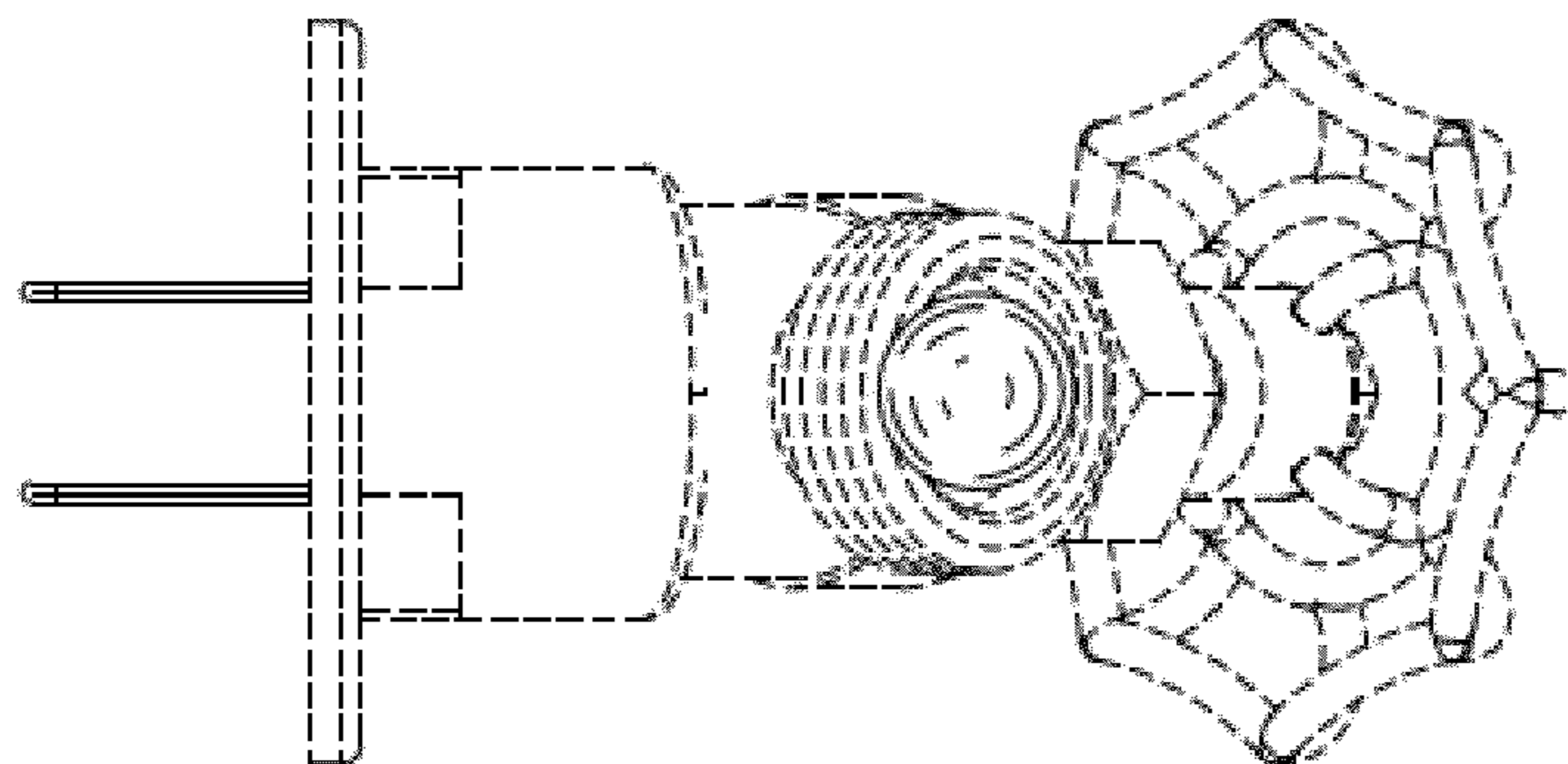


FIG-8